

Premium Optic DVI-D 24+1 Cable



Descriptions

DVI AOC product is a pure fiber DVI active optical cable (AOC) DVI active optical cable (AOC) with high performance, low power consumption and low cost Using optical fiber, to replace copper wire as the high-speed signal transmission medium, DVI AOC can perfectly transmit HD image over 100 meters. Compared with the traditional copper wire, DVI AOC is much longer, softer, more slim with better signal quality and perfect EMI/EMC feature. Compared with other, HDMI optical fiber transmission solution, DVI AOC is easy to use, no external power supply needed.

Key Features

- ◆ Long distance transmission, over 100 meters
- ◆ Single channel DVI interface, support up to 10.2Gbps bandwidth
- ◆ Program and store monitor's EDID information inside of source connector
- ◆ Thinner, lighter and softer than conventional copper cable.
- ◆ No radiation, and highly resistant with EMI
- ◆ Supports computer resolutions to 1080P and 4K2K(30P).
- ◆ Request no external USB power supply

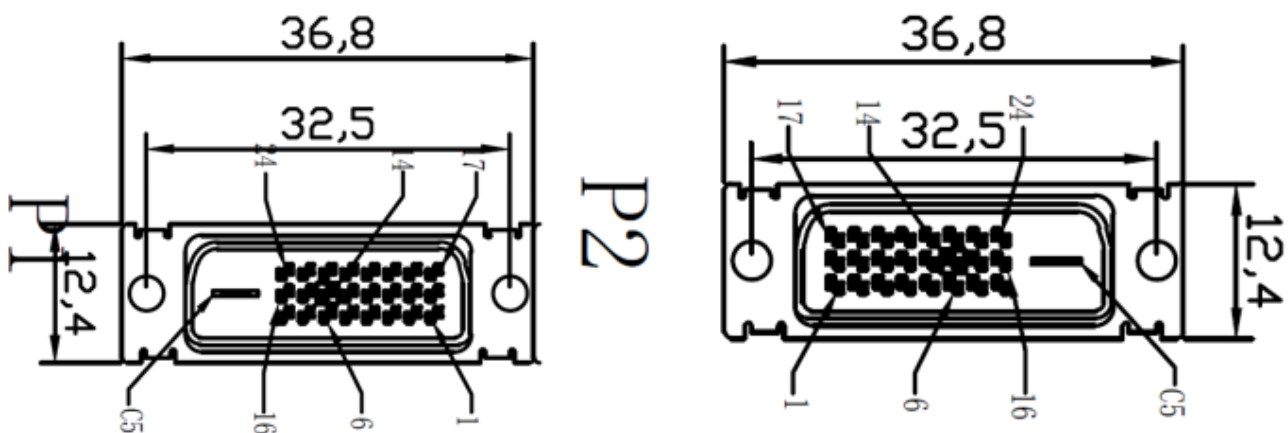
Applications

- ◆ Digital Signage
- ◆ LED signboards in streets and in stadiums
- ◆ Medical Imaging Equipment
- ◆ Airplane On-board Video System
- ◆ Home Theater
- ◆ Blue-ray, 3D video, Projector, Set-up box, DVR, Game Consoles and Computer
- ◆ TV Broadcast Station
- ◆ Conference Room Video Equipment
- ◆ Security systems

Specifications

Item	Description	
	Transmitter (Source)	Receiver (Display)
HDCP & DDC	HDCP 2.0 Fully Support bi-directional EDID and HDCP communication	
Video Bandwidth	Up to 10.2Gbps	
Supported Resolution & Distance	PC: WUXGA 1920 x 1200 up to 100 meters, HDTV : 480p, 720p, 1080i and 1080p deep color, 4K(30P), 3DFull HD 1920 x 1080 up to 100 meters	
Connector Type	DVI-D plug – DVI-D plug male to male	
Cable Type	Pure fiber	
Cable Length	10m/15m/20m/30m/40m/50m/60m/70m/80m/90m/100m (with +/-30cm tolerance) Custom length available.	
Tensile Strength (Long /Short term)	100N/200N	
Cable Outer Diameter	4.0mm	
Jacket Outer Material	PVC	
Power Consumption	250mW (max)	
Power Supply	Non external power required	

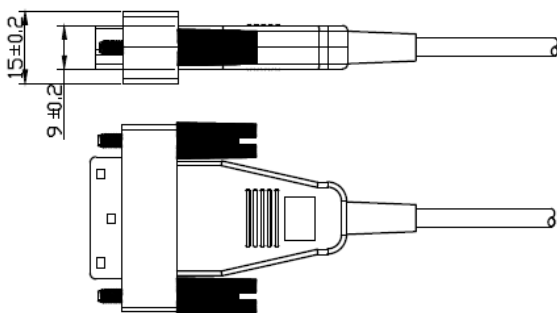
DVI-D Plug Pin Assignment



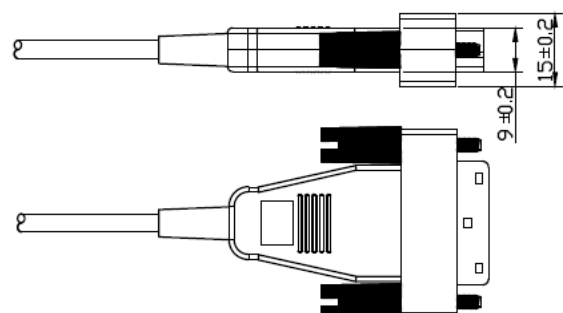
PIN	Function	PIN	Funtion	PIN	Function
1	T.M.D.S. Data2-	9	T.M.D.S. Data1-	17	T.M.D.S. Data0-
2	T.M.D.S. Data2+	10	T.M.D.S. Data1+	18	T.M.D.S. Data0+
3	T.M.D.S. Data2/4 Shield	11	T.M.D.S. Data1/3 Shield	19	T.M.D.S. Data0/5 Shield
4	T.M.D.S. Data4-	12	T.M.D.S. Data3-	20	T.M.D.S. Data5-
5	T.M.D.S. Data4+	13	T.M.D.S. Data3+	21	T.M.D.S. Data5+
6	DDC Clock	14	+5V Power	22	T.M.D.S.Clock Shield
7	DDC Data	15	Ground(for +5V)	23	T.M.D.S.Clock+
8	No Connect	16	Hot Plug Detect	24	T.M.D.S.Clock-

Installation

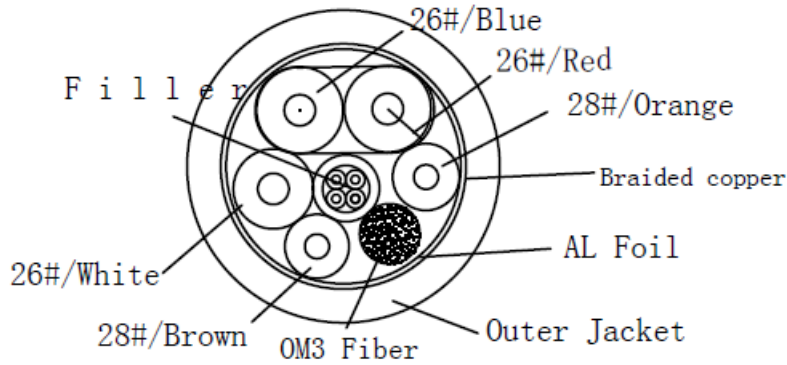
To Source



To Sink



Hybrid Cable Profile



Partnumbers:

Description	Part number
PREMIUM OPTIC DVI-D 24+1 CABLE 10M	MONCC10OP
PREMIUM OPTIC DVI-D 24+1 CABLE 15M	MONCC15OP
PREMIUM OPTIC DVI-D 24+1 CABLE 20M	MONCC20OP
PREMIUM OPTIC DVI-D 24+1 CABLE 30M	MONCC30OP
PREMIUM OPTIC DVI-D 24+1 CABLE 50M	MONCC50OP

Packing Details



10PCS/CARTON



The Spool

Inner Box