






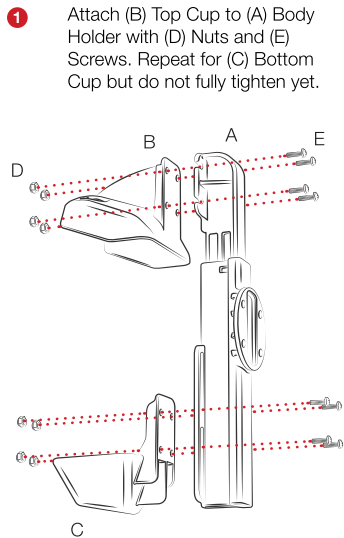


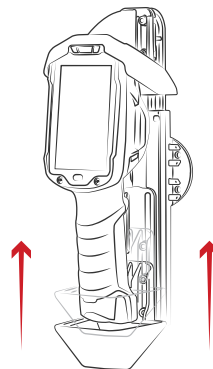
Part Index

*not to scale

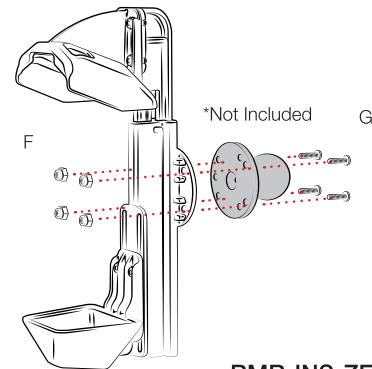
- A  x1
- B  x1
- C  x1
- D  x8
- E  x8
- F  x4
- G  x4



2 Insert your device into the holder and adjust (C) Bottom Cup to be snug while allowing enough room to expand the spring-loaded spine and remove your device. When positioned properly, fully tighten (D) Nuts and (E) Screws on (C) Bottom Cup.



3 Attach your RAM® ball component (not included) to the back of the holder using (F) nuts and (G) Screws.



RMR-INS-ZE9



Safety Precaution

Do not install this product near or over an airbag deployment area or in a location that obstructs the driver's vision or interferes with vehicle operation. National Products, Inc does not assume responsibility or liability for any such personal injury, death or property damage.