

# E933M

2MP Video Analytics Outdoor Mini Dome with D/N, Adaptive IR, Extreme WDR, SLLS, M12 Connector, Fixed Lens



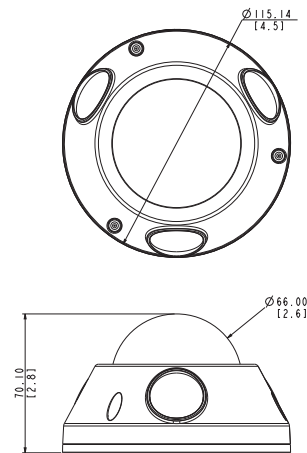
- 2 Megapixel with 1080p
- Day & Night with Super Low Light Sensitivity and Adaptive IR LED
- Fixed Lens with f2.55 mm / F2.2
- Extreme WDR (145 dB)
- 60 fps at 1920 x 1080
- Super Wide Angle
- Weatherproof (IP68), Vandal Proof (IK10) and Vibration Proof (EN50155, M12 Connector)
- Built-in Analytics

## PHOTO INDICATION



- 1 Memory Card Slot
- 2 Power LED
- 3 Reset Button
- 4 Audio Input
- 5 Ethernet Port

## DIMENSION DIAGRAM



Unit: mm [inch]

## ACCESSORY OPTIONS

| Power Supply |  |   |
|--------------|--|---|
| PPOE-0001    |  | IEEE 802.3af PoE Injector for Class 1, 2 or 3 devices, with universal adapter |
| Dome Cover   |  |   |
| PDCX-1112    |  | Vandal proof smoked dome cover for E924(M)-E929(M)                            |

| Popular Mounting Solutions |                          |  |
|----------------------------|--------------------------|--|
| Surface                    | Accessories not required |  |
| Wall                       | PMAX-0316                |  |
| Pendant                    | PMAX-0111<br>PMAX-1400   |  |
| Gang Box                   | PMAX-0805                |  |
| NPT Standard Mounts        | PMAX-0809<br>PMAX-1400   |  |

\* For more mounting solutions, please refer to Project Planner on [www.acti.com](http://www.acti.com)

**PRODUCT SPECIFICATION****E933M****• Device**

|                          |  |
|--------------------------|--|
| Device Type              | Outdoor Mini Dome  |
| Image Sensor             | Progressive Scan CMOS  |
| Sensor Size              | 1/2.8"   |
| Effective Pixels         | 1944 (H) x 1224 (V) (2.38 MP)                                    |
| Horizontal Resolution    | 1100 TVL   |
| Day / Night              | Yes  |
| Low Light Sensitivity    | Superior   |
| Minimum Illumination     | Color: 0.05 lux at F2.2 (30 IRE, 2400°K); B/W: 0 lux (IR LED on) |
| Color to B/W Switch      | ISP sensor based switch; Configurable                            |
| Mechanical IR Cut Filter | Yes  |
| IR Sensitivity Range     | 700 - 1100nm   |
| IR LED                   | Adaptive IR LED x 3 (850 nm)                                     |
| IR Working Distance      | 15 m (0 lux, 30 IRE, Gain 255, Manual shutter mode)              |
| Electronic Shutter       | 1/5 - 1/32,000 sec (manual mode); 1/5 - 1/32,000 sec (auto mode) |
| S/N Ratio                | 56 dB  |

**• Lens**

|                          |  |
|--------------------------|--|
| Focal Length / Aperture  | Fixed focal, f2.55mm / F2.2                                    |
| Iris                     | Fixed iris   |
| Focus                    | Fixed focus  |
| Lens Mount               | Board mount  |
| Horizontal Viewing Angle | 62.7°  |
| Viewing Angle Adjustment | Pan: ±90°; Tilt: 35° ~ 90° (lens FoV from horizon up to 3.65°) |

**• Video**

|                                |   |
|--------------------------------|---|
| Compression                    | H.264 (Baseline/ Main/ High profile), MJPEG   |
| Max. Resolution vs. Frame Rate | 60 fps at 1920 x 1080; 60 fps at 1280 x 720; 30 fps at 640 x 480; 30 fps at 320 x 240   |
| Multi-Streaming                | Simultaneous triple streams based on three configurations   |
| Bit Rate                       | 128 Kbps - 12 Mbps (per stream)   |
| Bit Rate Mode                  | Constant, Variable  |
| Image Enhancement              | Extreme WDR (145 dB); White balance: automatic, hold and manual; Brightness; Contrast; Sharpness; Automatic gain control; 2D+3D digital noise reduction; Flickerless; **Defogging |
| Privacy Mask                   | 4 configurable regions  |
| Text Overlay                   | User defined text on video  |
| Image Orientation              | Rotation  |
| Built-in Analytics             | Face Detection, Object Based Motion Detection, Tampering, Line Crossing, Enter Area, Missing Object, Unattended Object, Loitering   |

**• Audio**

|             |   |
|-------------|---|
| Audio       | 1-way   |
| Compression | 8kHz, Mono, PCM, 16 bits encoding, G.711        |
| Audio Input | Line-in and mic-in, cable with 3.5mm phone jack |

**• Network**

|                    |   |
|--------------------|---|
| Protocol & Service | TCP, UDP, HTTP, HTTPS, DHCP, PPPoE, RTP, RTSP, IPv6, DNS, DDNS, NTP, ICMP, ARP, IGMP, SMTP, FTP, UPnP, SNMP, Bonjour        |
| Ethernet Port      | 1, Ethernet (10/100 Base-T), M12 connector (female, D-Coding, PoE Type A)   |
| Security           | IP address filtering; HTTPS encryption; Password protected user levels; Anonymous login; IEEE 802.1X network access control |

**• Alarm**

|                |  |
|----------------|--|
| Alarm Trigger  | Video motion detection (10 regions), Sound detection, Intelligent event detection  |
| Alarm Response | Notify control center, Change camera settings, Command other devices, E-mail notification with snapshots, Push notification to mobile device, Upload video to NVR server, Upload video or snapshot to FTP server |

**• Interface**

|               |  |
|---------------|--|
| Local Storage | MicroSDHC memory card slot (card not included) |
|---------------|--|

**• General**

|                            |  |
|----------------------------|--|
| Power Source / Consumption | PoE Class 2 (IEEE802.3af) / 6.49 W   |
| Weight                     | 474 g (1.04 lb)  |
| Dimensions (Ø x H)         | 115 mm x 70 mm (4.5" x 2.8")   |
| Environmental Casing       | Weatherproof (IP68); Vandal proof (IK10); Vibration Proof (EN 50155); Transparent dome cover                                   |
| Mount Type                 | Surface, Gang box, Pendant, Wall   |
| Starting Temperature       | -20°C ~ 50°C (-4°F ~ 122°F)  |
| Operating Temperature      | -20°C ~ 50°C (-4°F ~ 122°F)  |
| Operating Humidity         | 10% ~ 85% RH   |
| Approvals                  | CE (EN 55022 Class B, EN 55024), FCC (Part15 Subpart B Class B), IK10, IP68, NEMA 4X, EN 50155, UL (for optional PoE injector) |

**• Integration**

|                         |   |
|-------------------------|---|
| Unified Solution        | Fully compatible with ACTi software                       |
| ISV Integration         | Software Development Kit (SDK) available; ONVIF compliant |
| Firmware Access Browser | IE 11   |
| GPS Position            | Manual Setting  |
| Auto Firmware Upgrade   | Yes   |

\* All specifications are subject to change without notice.

\* All brand names and registered trademarks are the property of their respective owners.

[www.acti.com](http://www.acti.com)