
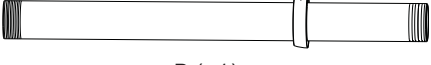

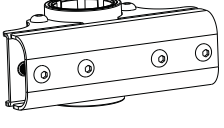
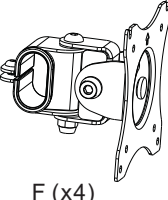












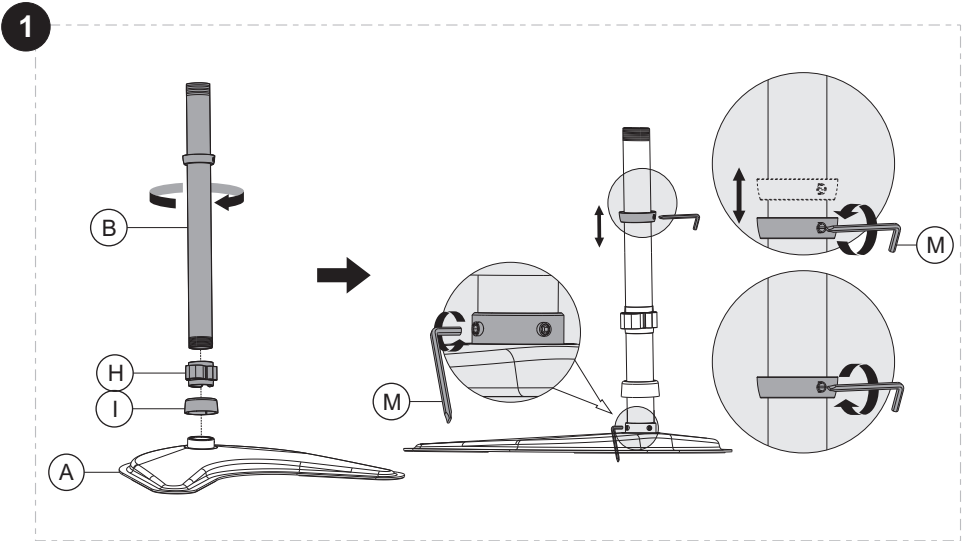
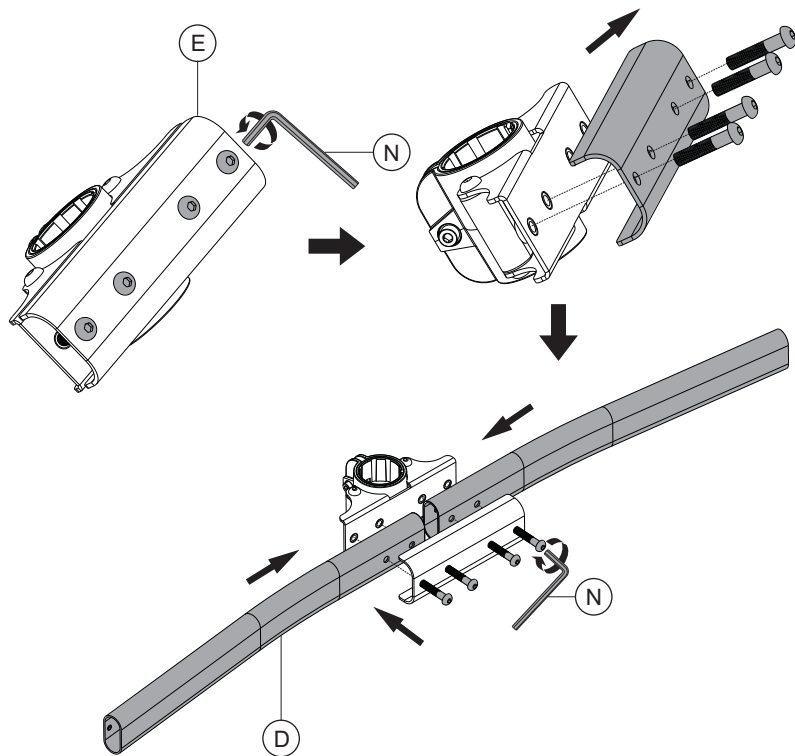
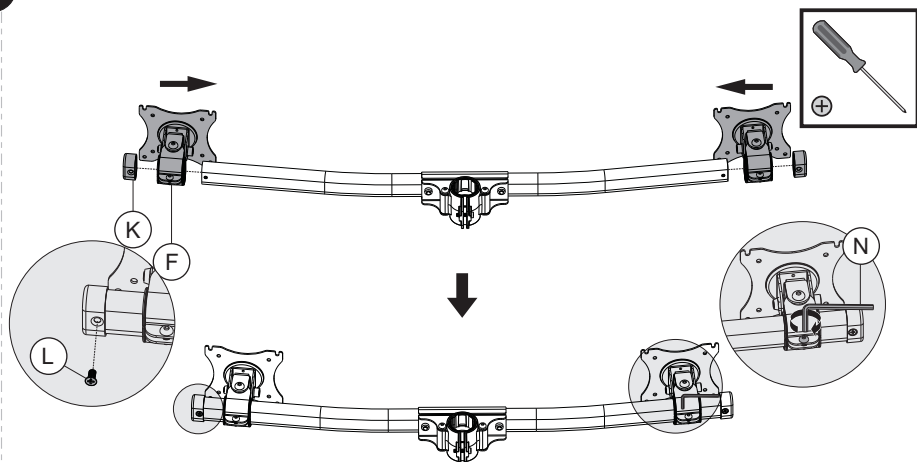
 <p>A (x1)</p>		 <p>C (x1)</p>			
 <p>B (x1)</p>		 <p>D (x4)</p>			
 <p>E (x2)</p>	 <p>F (x4)</p>	 <p>G (x1)</p>	 <p>H (x2)</p>	 <p>I (x1)</p>	
		 <p>J (x4)</p>	 <p>K (x4)</p>	 <p>L (x4)</p>	
 <p>3mm (x1) M</p>	 <p>4mm (x1) N</p>	 <p>6mm (x1) O</p>	 <p>M4x12 (x16) M-A</p>	 <p>M5x12 (x16) M-B</p>	 <p>D5 (x16) M-C</p>



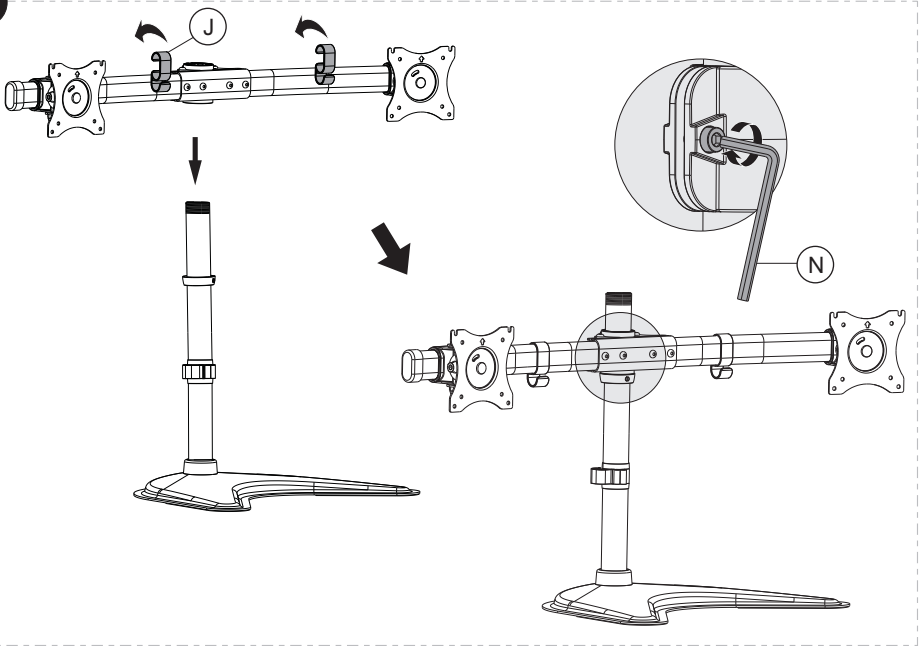
2



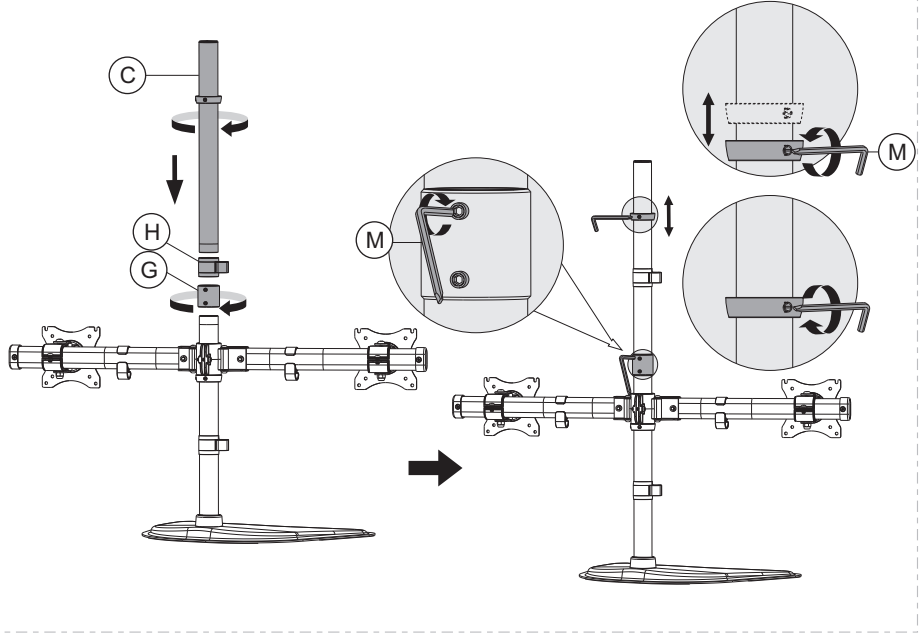
3



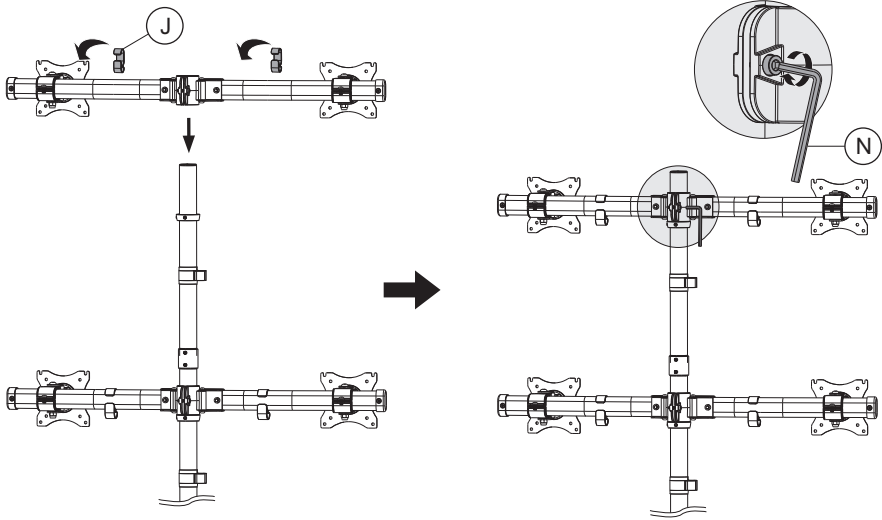
4



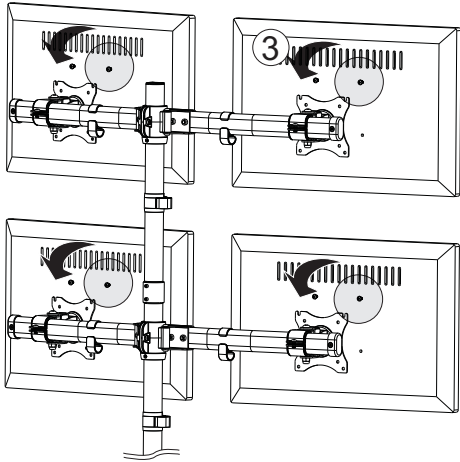
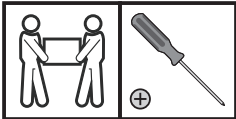
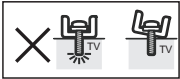
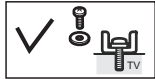
5

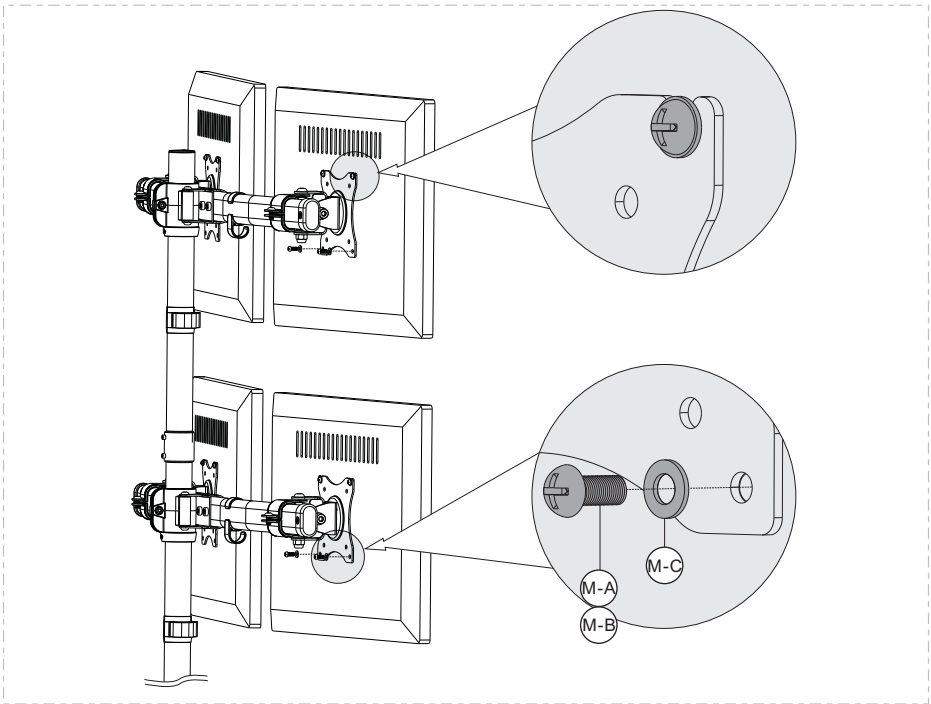


6

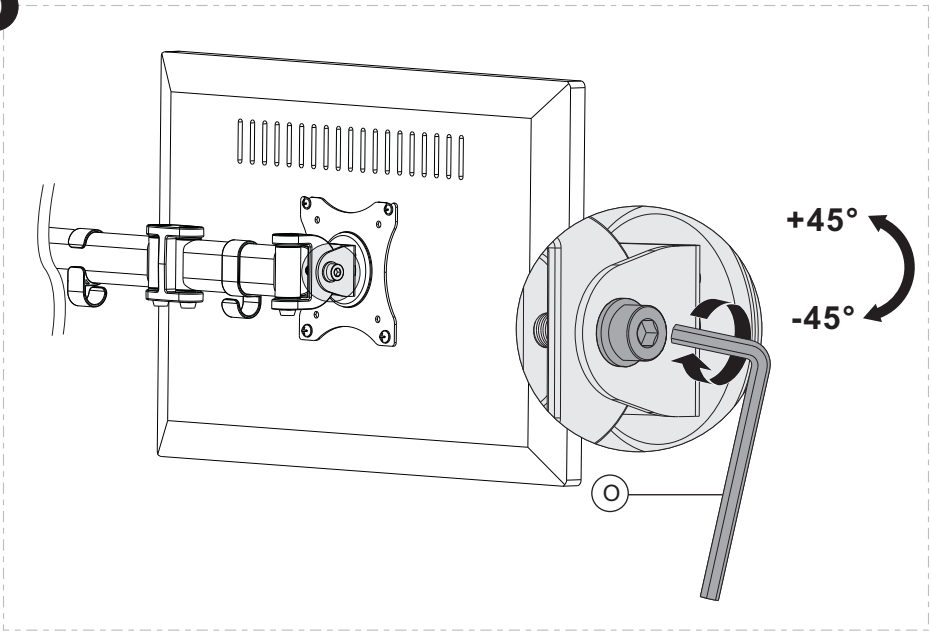


7

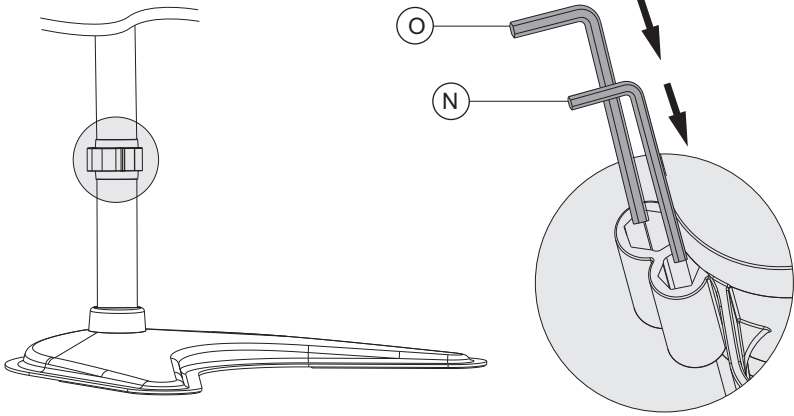




9



10



11

