

VMGB-601

2MP Metadata Camera with Day/Night, IR LED, Built-in Face, People and Car Detection



- 2 Megapixel Metadata Camera
- Day & Night with IR LED
- Built-in Face, People and Car Detection
- Not available in the USA

► Specifications

Device

Product Type	Metadata Camera
Maximum Resolution	2MP
Product Application	Face, People and Car Detection
Application Environment	Indoor
Description	Dome Camera Built-in Deep learning-based Face Detection, People and Car Detection with f2.8-12mm lens
Image Sensor	Progressive Scan CMOS
Sensor Size	1/1.8 "
Day / Night	Yes
Low Light Sensitivity	Superior
Mechanical IR Cut Filter	Yes
IR LED	Adaptive IR LED
IR Working Distance	30m

Lens

Focal Length	Zoom, f2.8-12mm
Aperture	F1.2
Zoom Ratio	4.3x optical
Horizontal Viewing Angle	103.3° - 38.6°

Vertical Viewing Angle	54.2° - 21.9°
------------------------	---------------

Video

Compression	H.265, H.264 (Baseline/ Main/ High profile), MJPEG
Maximum Frame Rate vs. Resolution	60 fps at 1920 x 1080 60 fps at 1280 x 960 60 fps at 1280 x 720 30 fps at 704 x 480 30 fps at 640 x 480
Multi-Streaming	Multiple streams
Bit Rate	32Kbps - 16Mbps (per stream)
Wide Dynamic Range	Extreme WDR (140 dB)
Image Enhancement	Defogging, Digital Image Stabilizer (DIS, EIS)
Digital Noise Reduction	3D DNR
Built-in Analytics	Missing Object Detection, Unattended Object Detection, People Line Crossing Detection, People Enter Area Detection, Face Detection, Car Detection
Image Orientation	Rotation

Audio

Audio Type	2-way, Line-in, Line-out
------------	--------------------------

Video Analytics

Analysis Source Type	Video
Metadata Accuracy	Excellent

Integration

ONVIF Compliant	Yes, Profile S, Profile G
-----------------	---------------------------

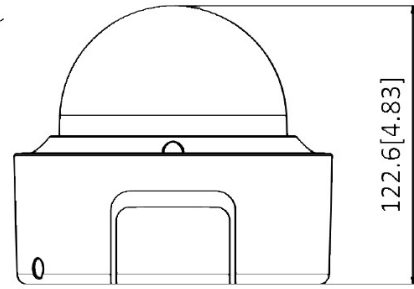
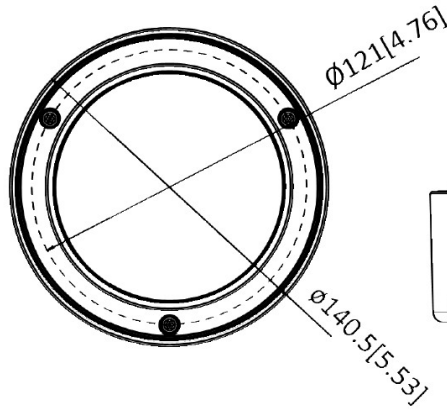
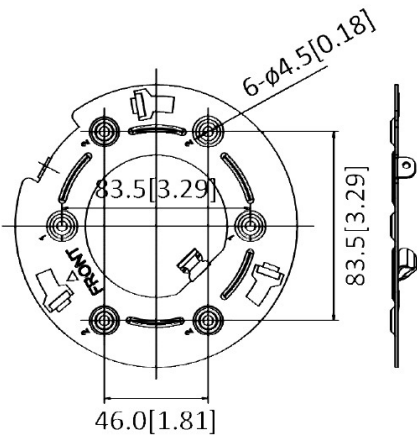
Interface

Serial Port	1 x RS-485
Audio Interface	1/1, 3.5mm Phone Jack
Local Storage	MicroSD, MicroSDHC, MicroSDXC memory card slot (card not included)
Digital Input/Output	1/1

General

Power Source	DC 12V, PoE Class 3 (IEEE802.3af)
Weight	950g (2.09lb)
Dimensions	(Ø x H): 140.5mm x 122.6mm (5.5" x 4.8")
Environmental Casing	Vandal proof (IK10)
Operating Temperature	-30°C ~ 60°C (-22°F ~ 140°F)
Warranty	3 Year(s)

► Dimension Diagram



Unit: mm[inch]

Unit: mm [inch]