

# Q963

## 2MP Metadata Camera with Day/Night, IR LED, Built-in People Counting



- 2 Megapixel Metadata Camera
- Day & Night with IR LED
- Built-in People Counting
- Event trigger, response and notification
- Not available in the USA

### ► Specifications

#### Device

Product Type	Metadata Camera
Maximum Resolution	2MP
Product Application	People Counting
Application Environment	Indoor
Image Sensor	Progressive Scan CMOS
Sensor Size	1/2.7 "
Day / Night	Yes
Low Light Sensitivity	Superior
Minimum Illumination	Color: 0.005 lux; B/W: 0.001 lux
Mechanical IR Cut Filter	Yes
IR LED	IR LED (850 nm)
IR Working Distance	6m
Electronic Shutter	1/25-1/10000 second (auto mode)

#### Lens

Number of Lenses	2 Lenses
Focal Length	Fixed focal, f2mm

Aperture	F2.25
Iris	Fixed iris
Lens Mount	Board mount
Horizontal Viewing Angle	104.5°
Vertical Viewing Angle	70.5°

## Video

Compression	H.265, H.264 (Baseline/ Main/ High profile)
Maximum Frame Rate vs. Resolution	30 fps at 1920 x 1080 30 fps at 1280 x 720 30 fps at 704 x 480 30 fps at 640 x 480
Multi-Streaming	Simultaneous dual streams
Bit Rate	32Kbps - 16Mbps (per stream)
Wide Dynamic Range	Basic WDR
Digital Noise Reduction	3D DNR
Privacy Mask	Yes
Counting Technology	3D
Built-in Analytics	People Counting (3D Counting, Line Counting, Region Counting), People Line Counting, People Area Counting, Tampering Detection, (Offering 100 days of counting data storage.)
IVS performance	Certain algorithms may require more computing power, which may limit the number of algorithms that can be concurrently used in the camera. Please test the actual performance before using in a project.

## Audio

Audio Type	2-way, Built-in Microphone, Line-in, Line-out
------------	---

## Network

Network Protocol & Service	IPv4/v6, TCP, UDP, DHCP, PPPoE, HTTP, HTTPS, DNS, DDNS, NTP, RTP, RTSP, RTCP, SMTP, FTP, IGMP, ICMP, Bonjour, UPnP, QoS, IEEE 802.1X, SNMP
Ethernet Port	1 x Ethernet (10/100 Base-T), RJ-45 connector

## Video Analytics

Analysis Source Type	Video
Metadata Accuracy	Excellent

## Event

Event Trigger	Tampering detection, External device through digital input
---------------	--

## Integration

Metadata Reporting and Presentation	Fully compatible with ACTi Market Application Suite package (Any customization may require additional NRE fees)
ONVIF Compliant	Yes, Profile S, Profile G
Web Browser	IE 11

## Interface

Serial Port	1 x RS-485
Audio Interface	Built-in microphone, 1/1, Terminal block
Digital Input/Output	1/1

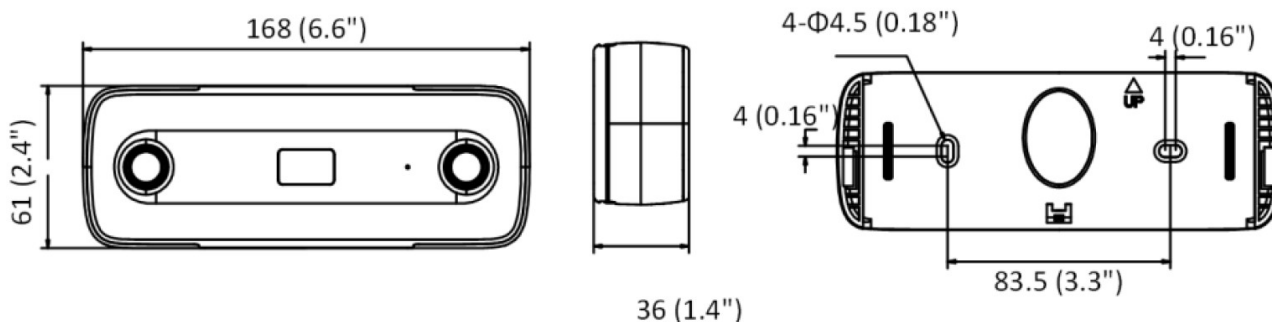
### Installation

Distance to Target (People)	2.1m - 6m (6.9ft - 19.7ft)
Lens Direction & Counting Method (People)	Face Down: Line Counting
Installation Recommendation	Installation Height / Width of the Scene 2.1m(6.9ft) / 0.8m (2.6ft) 2.6m(8.5ft) / 2.1m (6.9ft) 3.1m(10.2ft) / 3.4m (11.2ft) 3.6m(11.8ft) / 4.6m (15.1ft) 4.1m(13.5ft) / 5.9m (19.4ft) 4.6m(15.1ft) / 5.4m (17.7ft) 5.1m(16.7ft) / 6.3m (20.7ft) 5.6m(18.4ft) / 7.3m (24.0ft) 6.0m(19.7ft) / 8.1m (26.6ft)

### General

Power Source	DC 12V (adapter not included), PoE Class 3 (IEEE802.3af)
Power Consumption	8 W (DC), 8.3 W (PoE)
Weight	435g (1lb)
Dimensions	(W x H x D): 168mm x 61mm x 36mm (6.6" x 2.4" x 1.4")
Bundled Accessories	Surface mount
Mount Type	Surface
Operating Temperature	-30°C ~ 45°C (-22°F ~ 113°F)
Operating Humidity	0% - 95% RH
Warranty	3 Year(s). For extended warranty offering, see <a href="http://www.acti.com/support/warranty">http://www.acti.com/support/warranty</a>

### ► Dimension Diagram



Unit: mm [inch]

### ► Related Products

#### Power Supply Accessories - Power Adapter

PPBX-0012	 Power Adapter AC 100~240V (US), for A3x, A4x, A88, A9x, Z31, Z8x, Z9x
PPBX-0013	 Power Adapter AC 100~240V (EU), for A3x, A4x, A88, A9x, Z31, Z8x, Z9x
PPBX-0014	 Power Adapter AC 100~240V (UK), for A3x, A4x, A88, A9x, Z31, Z8x, Z9x