



Accessories Guide

VEHICLE-MOUNTED COMPUTERS

VH10

VC80

VC70

VEHICLE-MOUNTED COMPUTERS

Accessories Guide



VH10



VC80



VC70

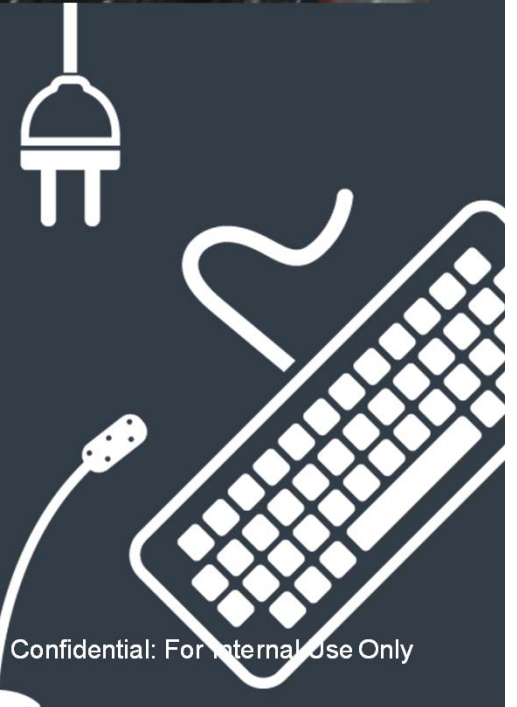




ACCESSORIES GUIDE

The Zebra Technologies portfolio of accessories extends the capabilities of your **VH10**, **VC80** or **VC70**, and enables you to lower the cost of ownership of your Zebra mobile computer.

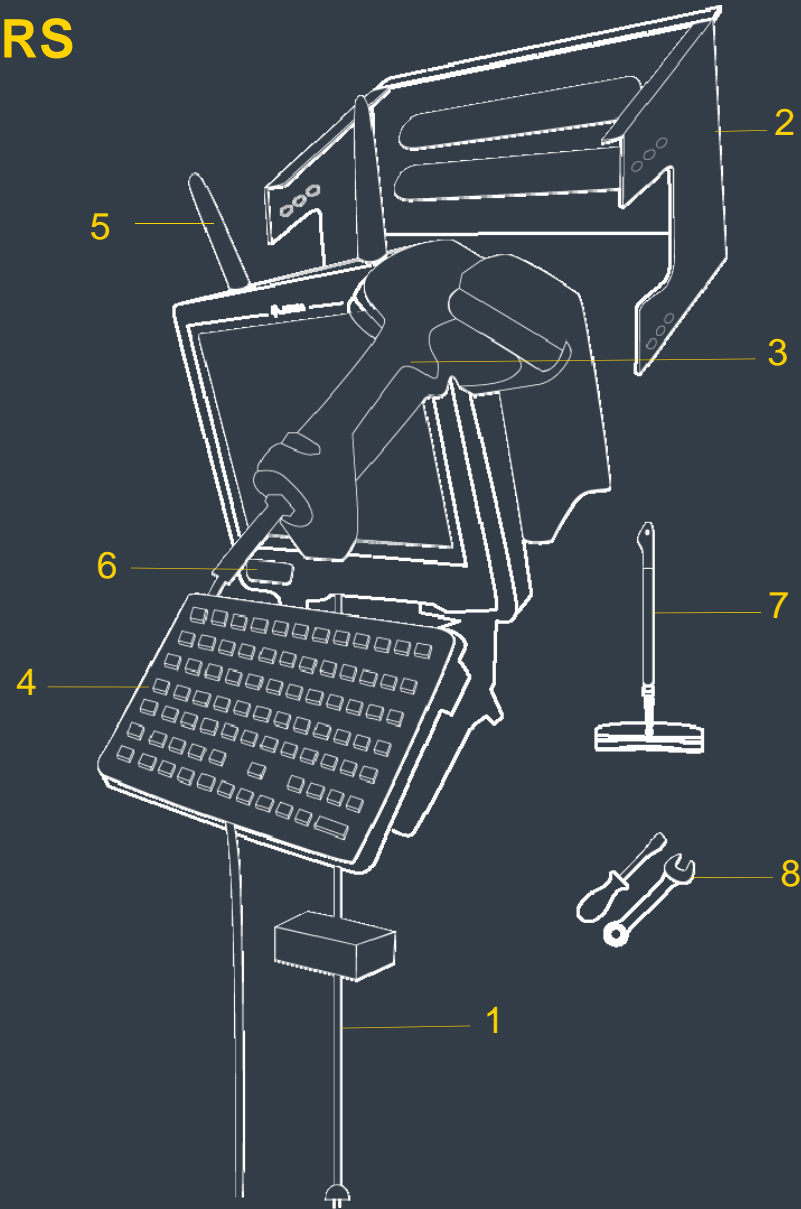
This simple step-by-step guide is designed to assist you with the selection of your accessories based on your needs and use of the computers.





VEHICLE-MOUNTED COMPUTERS INSTALL ILLUSTRATION

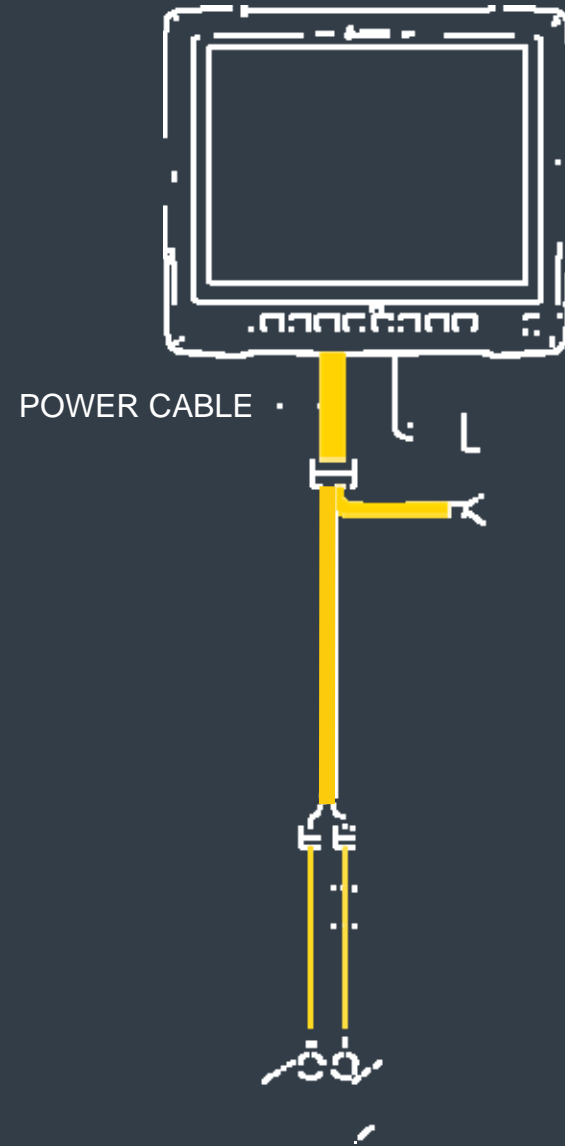
STEP	ACCESSORY	SLIDE
1	Power Supplies & Cables	6-14
2	Mounts	15-19
3	Scanners	20-22
4	Keyboards	23-26
5	Antennas	27-29
6	Voice	30-31
7	Miscellaneous	32-33
8	Service Parts	34-35

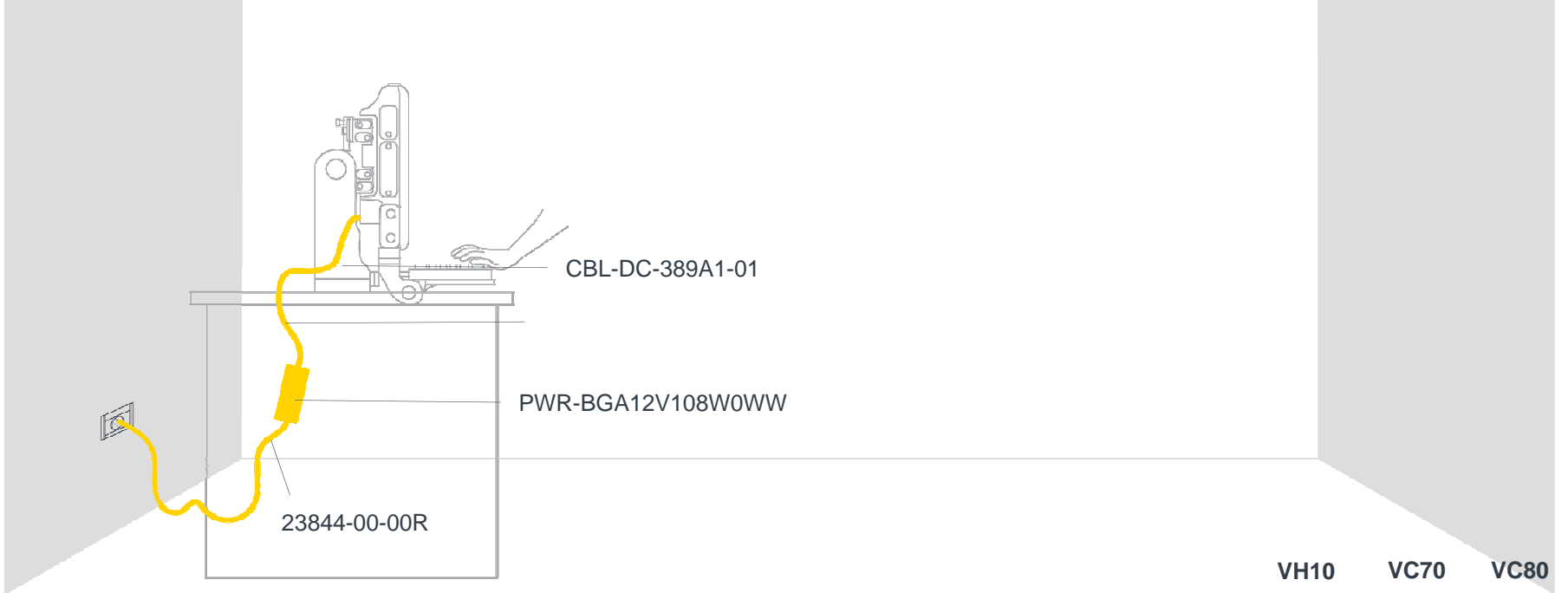


STEP 1: POWER SUPPLIES AND CABLES

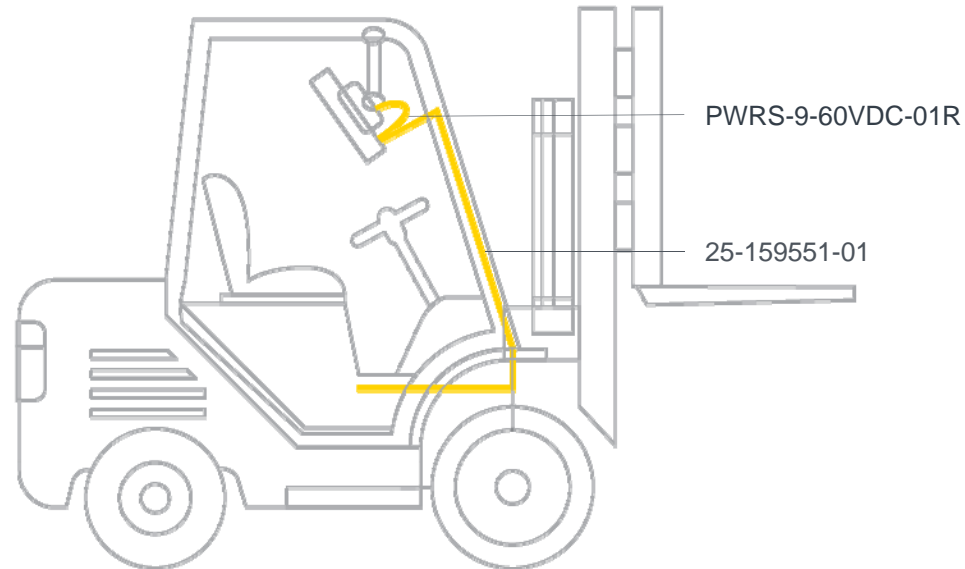
CHOOSE FROM MULTIPLE INSTALLATION CASES:

- PLUG INTO AN AC WALL OUTLET
 - VC70, VC80 OR VH10 ——— SLIDE 6
- PLUG INTO THE VEHICLE'S DC POWER
 - VC70 ——— SLIDE 7-9
 - VH10 OR VC80 ——— SLIDE 10-14





		VH10	VC70	VC80
VC70, VC80 OR VH10 POWERED BY PLUGGING INTO AN AC WALL OUTLET				
	AC POWER CABLE ID: 23844-00-00R US AC line cord, 7.5 feet long, grounded, three wire for the AC power supplies PS1450 and PWR-BGA12V108W0WW. Associated Countries: United States.	•	•	•
	AC POWER SUPPLY for VC70 ID: PWR-BGA12V108W0WW Order country specific 3 wire grounded AC line cord separately.		•	
	DC POWER SUPPLY ADAPTER CABLE for VC70 ID: CBL-DC-389A1-01 6.5', required when the PWR-BGA12V108W0WW is used.		•	
	AC POWER SUPPLY for VH10 and VC80 ID: PS1450 100/240 VAC Power Supply, 12V, 6A, order AC cable separate	•		•



VC70

VEHICLE MOUNT (DC POWER SUPPLY MOUNTED ON THE VC70)

Buy both



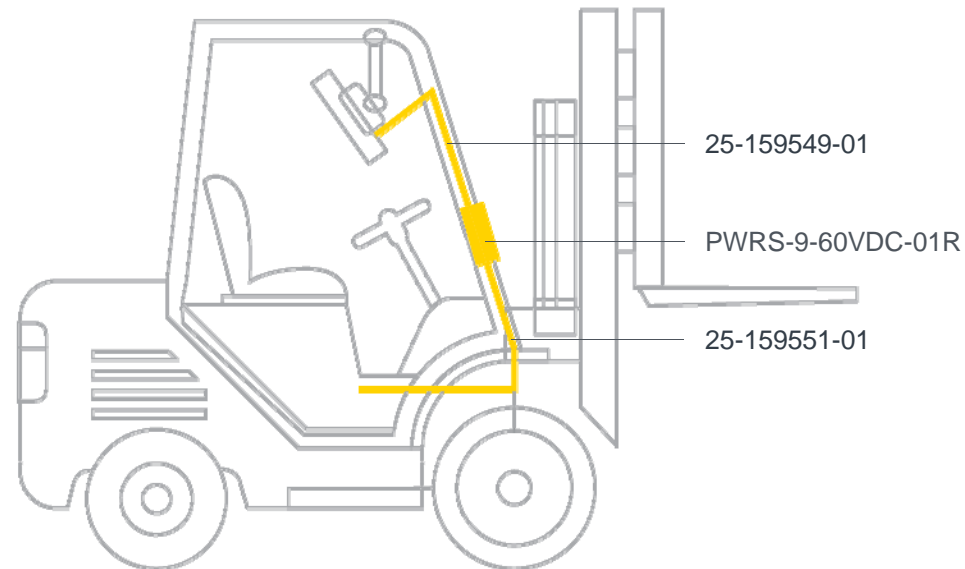
DC POWER SUPPLY | ID: PQRS-9-60VDC-01R

External DC Power supply, VC70, 9-60VDC Requires 25-159551-01 fused DC power cable to vehicle battery

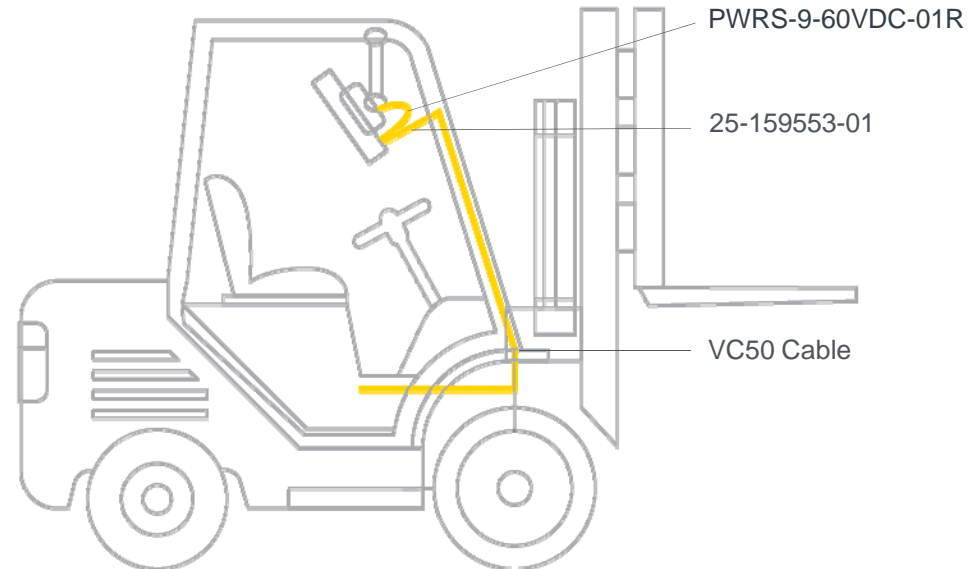


DC POWER CABLE | ID: 25-159551-01

Cable, external 9-60V DC power supply to vehicle battery, 10', includes fuse, VC70. Required for the PQRS-9-60VDC-R



VC70		VEHICLE MOUNT (DC POWER SUPPLY NOT MOUNTED ON THE VC70)
Buy all of these		EXTENSION CABLE ID: 25-159549-01 Cable, external power supply to VC70 extender. 6.5', VC70. Required when the PWRS-9-60VDC-01R is not mounted on the back of the VC70.
		DC POWER SUPPLY ID: PWRS-9-60VDC-01R External DC Power supply, VC70, 9-60VDC Requires 25-159551-01 fused DC power cable to vehicle battery
		DC POWER CABLE ID: 25-159551-01 Cable, external 9-60V DC power supply to vehicle battery, 10', includes fuse, VC70. Required for the PWRS-9-60VDC-R



VC70

VEHICLE MOUNT (WHEN REPLACING THE VC50 AND REUSING THE VC50 DC POWER CABLE)

Buy both



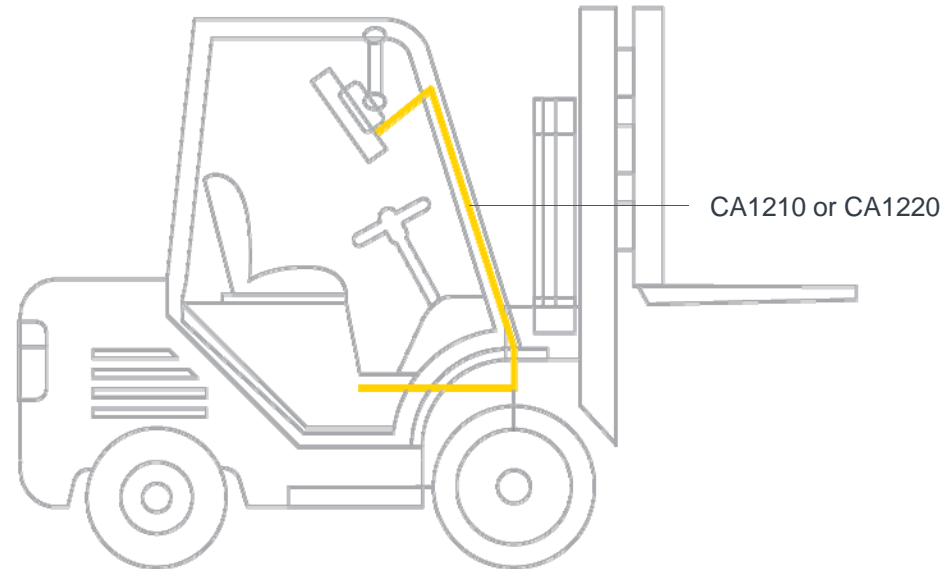
DC POWER SUPPLY | ID: PWRS-9-60VDC-01R

External DC Power supply, VC70, 9-60VDC Requires 25-159551-01 fused DC power cable to vehicle battery



POWER ADAPTER CABLE | ID: 25-159553-01

Cable, external power supply to existing VC5090 power cable (25-71919-03R or 25-71919-04R), includes fuses, 2', VC70



VH10 OR VC80

VEHICLE MOUNT (POWER SUPPLY IS INSIDE THE COMPUTER)

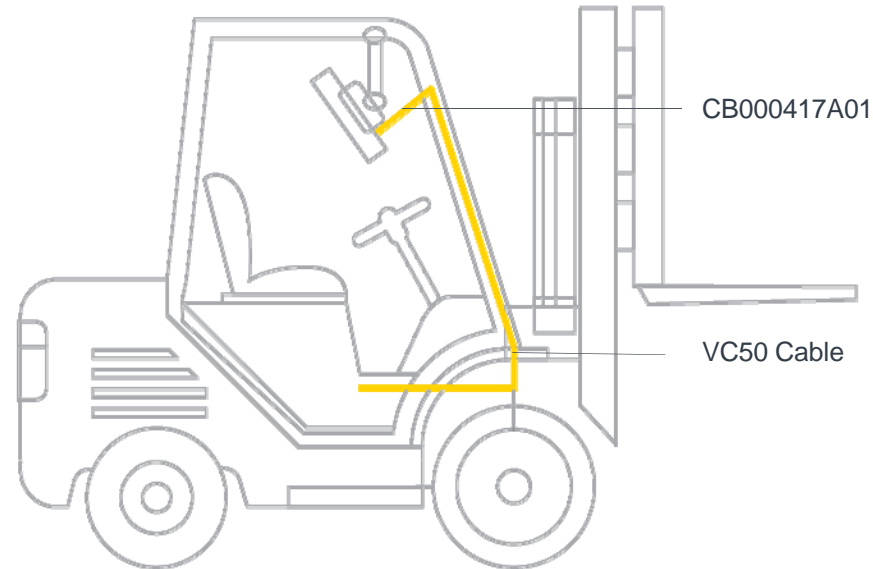
Pick one



DC POWER CABLE | ID: CA1210
Power Extension Cable, DC, 6', waterproof



DC POWER CABLE | ID: CA1220
Power Extension Cable DC, 6', waterproof - Includes Screen Blanking feature

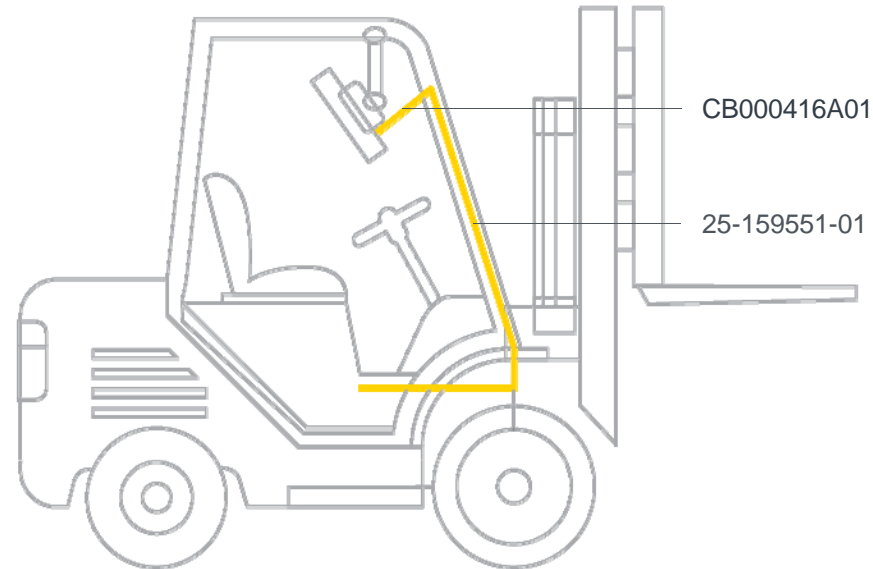


VH10 OR VC80

VEHICLE MOUNT (WHEN REPLACING VC50 AND REUSING THE VC50 DC POWER CABLE)



POWER ADAPTER CABLE | ID: CB000417A01
DC Power Adapter to VC50

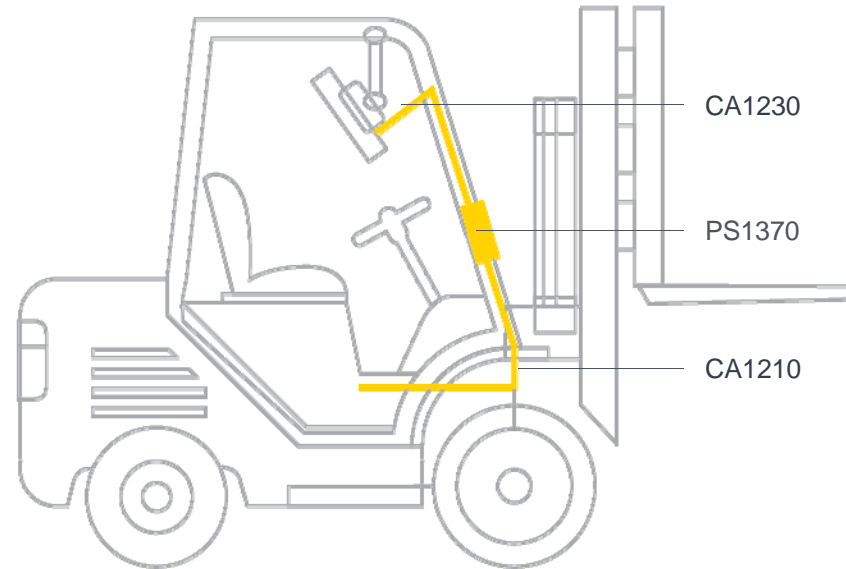


VH10 OR VC80

VEHICLE MOUNT (WHEN REPLACING VC70 AND REUSING THE VC70 DC POWER CABLE)



POWER ADAPTER CABLE | ID: CB000416A01
DC Power Adapter to VC70



VH10 OR VC80

VEHICLE MOUNT (WITH PRE-REGULATOR TO DECREASE VOLTAGE - FOR TRUCKS WITH BATTERIES GREATER THAN 48V)

Buy all three



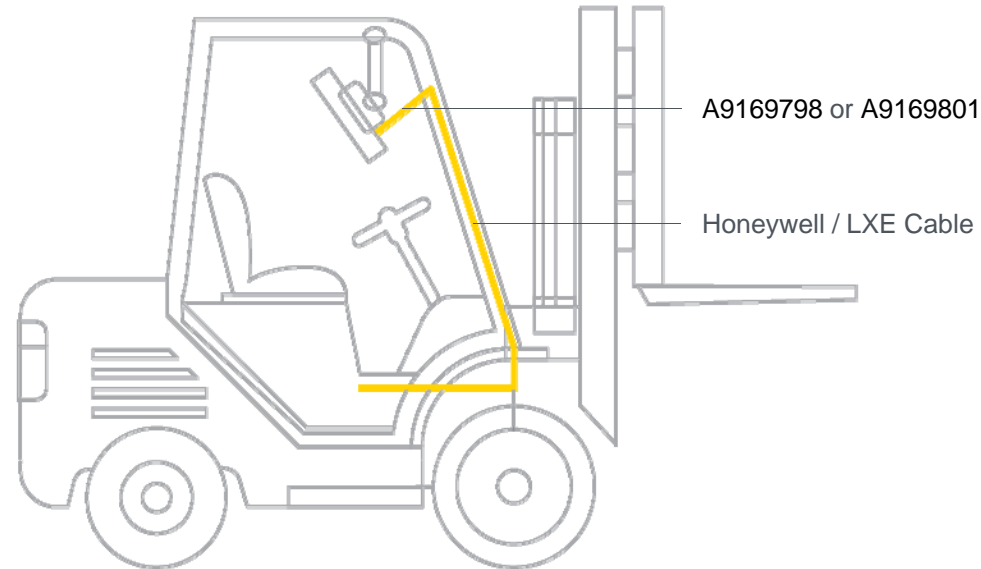
DC POWER CABLE | ID: CA1230
DC Power Adapter to VC70



PRE-REGULATOR | ID: PS1370
Pre-Regulator, 19 - 90 VDC in, 15 VDC out, 90 W



DC POWER CABLE | ID: CA1210
Power Extension Cable, DC, 6', waterproof



VH10 OR VC80

VEHICLE MOUNT (WHEN REPLACING A HONEYWELL/LXE VC AND REUSING THE DC POWER CABLE)



POWER ADAPTER CABLE | ID: A9169798

Adapter CPC to LXE/Honeywell VX8, VX9, VM1, VM2 AND VM3 DC Power Extension Cable



POWER AND SCREEN BLANKING ADAPTER CABLE | ID: A9169801

Adapter CPC and serial to LXE VX8 and VX9 DC Power Extension and Screen Blanking Cable

STEP 2: MOUNTS

YOUR MOUNTING OPTIONS DEPEND ON YOUR COMPUTER.

FOR THE VH10 AND VC80

CHOOSE BETWEEN THE FOLLOWING:

SLIDES 16
AND 17

- RAM MOUNT
- QUICK-RELEASE MOUNT
- ADAPTER BRACKET FOR 82XX MOUNTS
- ADAPTER BRACKETS FOR LEGACY VCs

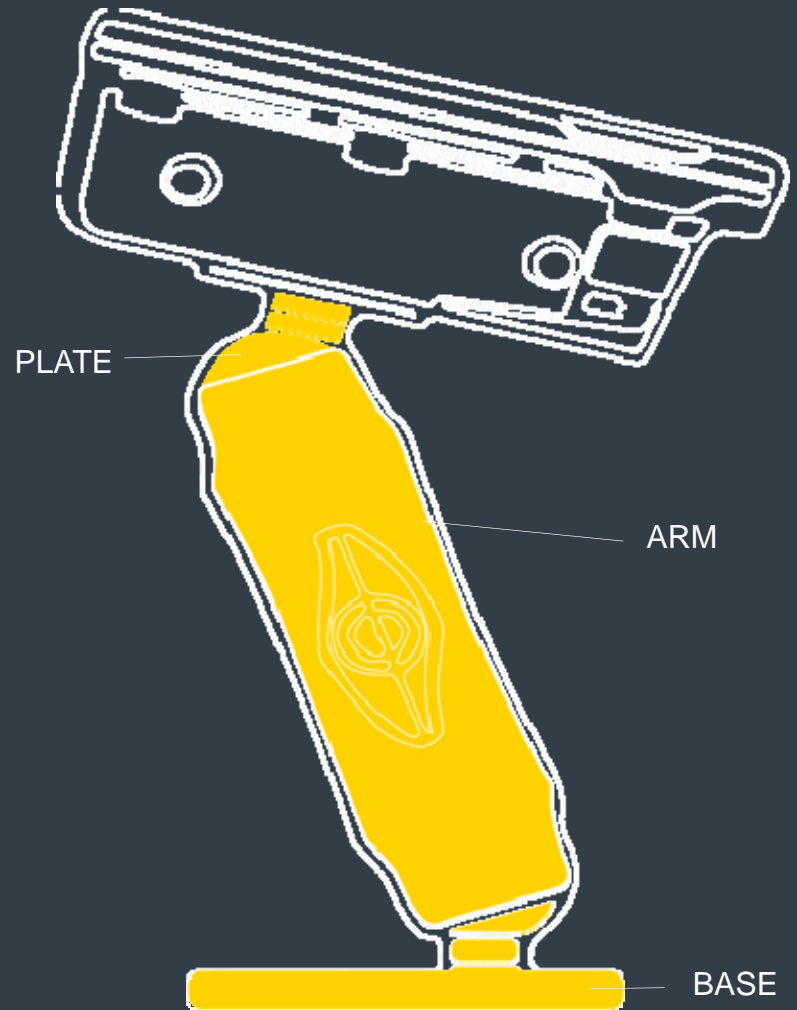
FOR THE VC70, CHOOSE ONE:

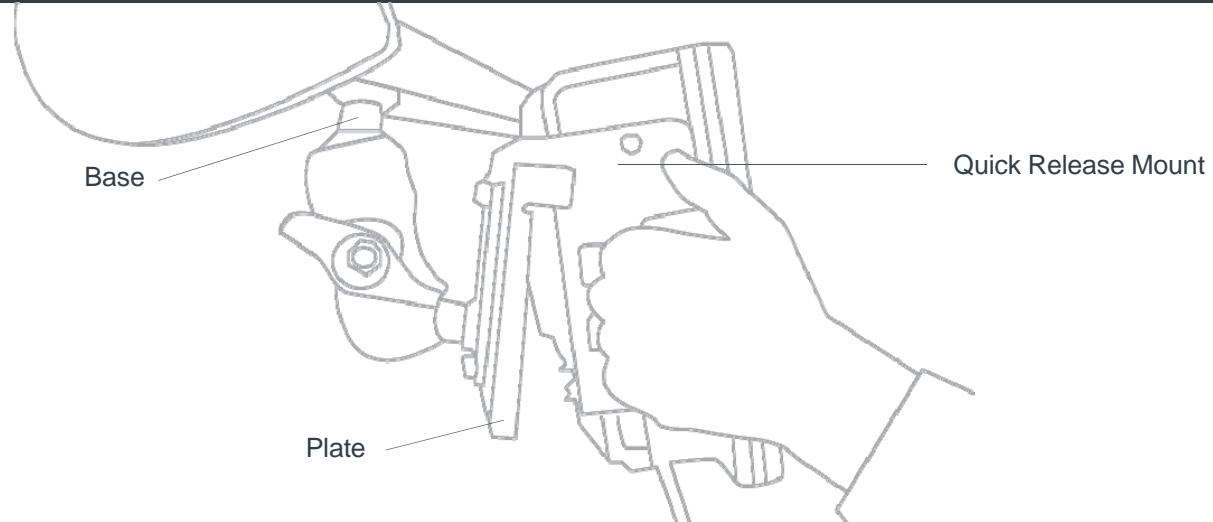
SLIDE 18

- RAM MOUNT
- U MOUNT
- ADAPTER BRACKET FOR VC50 MOUNT

YOU CAN ALSO SELECT A RAM FIXED MOUNT BASED ON YOUR VEHICLE THAT WORKS WITH THE VH10, VC70 AND VC80.

SLIDE 19





FOR THE VH10 OR VC80

DO YOU NEED A RAM MOUNT, A QUICK RELEASE MOUNT, OR ADAPTERS TO OLD 82XX MOUNTS?



QUICK RELEASE MOUNT | ID: MT4200

Quick release mount. Attaches to the side of the computer and includes Mounting Plate (MT4205) that attaches to forklift.



PLATE | ID: MT4205

Mounting plate for MT4200, Quick Release Mount, needed if you have one computer for multiple trucks



ADAPTER BRACKET | ID: MT4210

Adapter bracket kit for the older 82XX mounts



PLATE | ID: MT3501

VESA plate (for 4" or 12" RAM arm), Can also be attached to Quick Release Mount Plate (MT4205)



BASE | ID: MT4510

RAM 2"x3" rectangular base with 2.25" rubber ball. Can be attached directly to VH10 and VC80



FOR THE VH10 OR VC80

DO YOU REPLACE A LEGACY ZEBRA OR HONEYWELL/LXE VC?



ADAPTER FOR VC50 U-MOUNT

| ID: MNT-VC80-ADPA1-1

The adapter brackets for the VC50 U-Mount can be used to replace a VC50 by a VH10 or a VC80 and reuse the existing U-Mount.



U-MOUNT, WITH VC70 U-MOUNT HOLE PATTERN

| ID: KT-U-MOUNT-VC80-R

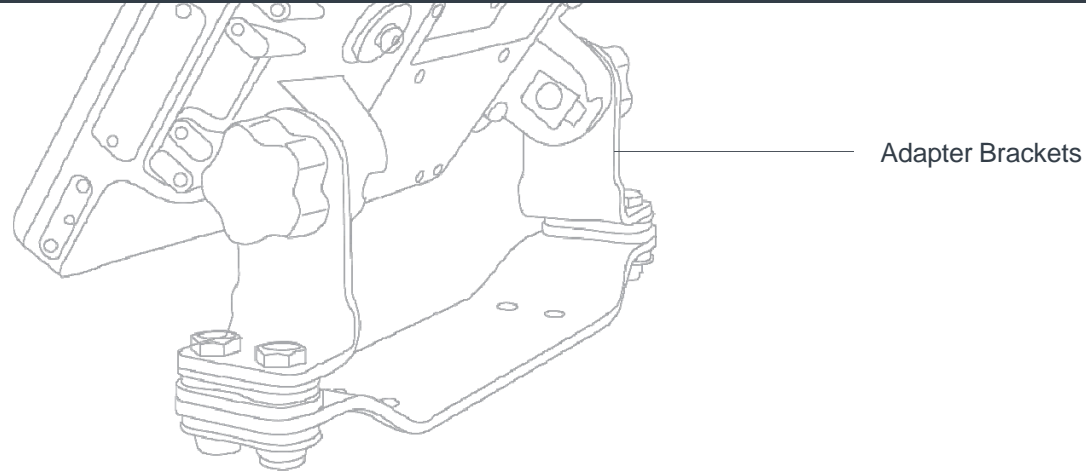
The new VC80 U-Mount is smaller than the one for the VC50 and has several mounting holes which allow drop-in replacements of VC70, and DLoG U-Mounts. It provides step less tilting of the VC and comes with the VC50 adapters.



ADAPTER FOR HONEYWELL U-MOUNT

| ID: MNT-VC80-ADPB1-1

The adapter brackets for the Honeywell U-Mount can be used to replace a Honeywell/LXE VC by a VH10 or a VC80 and reuse the existing U-Mount (Honeywell part number VM1010BRKTKIT).












FOR THE VC70 **DO YOU NEED A RAM MOUNT, AN U MOUNT, OR ADAPTER BRACKETS TO THE VC50 U MOUNT?**

	<p>RAM MOUNT ID: RAM-D-2461U-MOTO7 RAM bridge with RAM-D-2461U RAM MOUNT, D (2.25") size ball with screws. Including screws to mount the PWRS-9-60VDC-01R External DC Power Supply. Used when replacing equipment already mounted with RAM mounts</p>
	<p>RAM MOUNT ID: RAM-D-2461U-MOTO7B RAM-D-2461U RAM MOUNT, D (2.25") size ball with screws. Used when the PWRS-9-60VDC-01R External DC Power Supply has to be mounted away or when AC power supply is used. Used when replacing equipment already mounted with RAM mounts</p>
	<p>U MOUNT ID: KT-U-MOUNT-VC70-R U mount, VC70, with mounting hardware</p>
	<p>ADAPTER BRACKET ID: KT-VC50ARM3-VC70-R 2 mount adapter arms for VC50 bracket, 3.5", with bolts</p>
	<p>ADAPTER BRACKET ID: KT-VC50ARM7-VC70-R 2 mount adapter arms for VC50 bracket, 7", with bolts</p>



VC70, VC80 & VH10

DEPENDING ON THE VEHICLE, BELOW ARE THE RAM FIXED MOUNTING OPTIONS TO THE COMPUTER AND/OR THE VEHICLE.

	<p>ARM ID: MT4301 RAM mount, 4" arm</p>
	<p>ARM ID: MT4302 RAM mount, 12" arm</p>
	<p>PLATE ID: MT3501 VESA plate (for 4" or 12" RAM arm), Can also be attached to Quick Release Mount Plate (MT4205)</p>
	<p>PLATE ID: MT3502 Round plate (for 4" or 12" RAM arm), Uses smaller footprint than MT3501 VESA Plate</p>
	<p>BASE ID: MT3505 Clamp base (for 4" or 12" RAM arm), 2" max. width</p>
	<p>BASE ID: MT3507 Clamp base (for 4" or 12" RAM arm), 3" max. width</p>
	<p>BASE ID: MT3509 Rail base (for 4" or 12" RAM arm), 1-1/4" to 1-7/8"</p>
	<p>BASE ID: MT3510 Rail base (for 4" or 12" RAM arm), 2" to 2 1/2"</p>
	<p>BASE ID: MT4510 RAM 2"x3" rectangular base with 2.25" rubber ball</p>

STEP 3: SCANNERS



WHEN SHOPPING FOR SCANNER CABLES, CHOOSE BETWEEN COILED OR STRAIGHT FOR YOUR SCANNER AND BETWEEN A RS232 OR USB PLUG.

SCANNER CABLES FOR DS36XX

— SLIDE 21

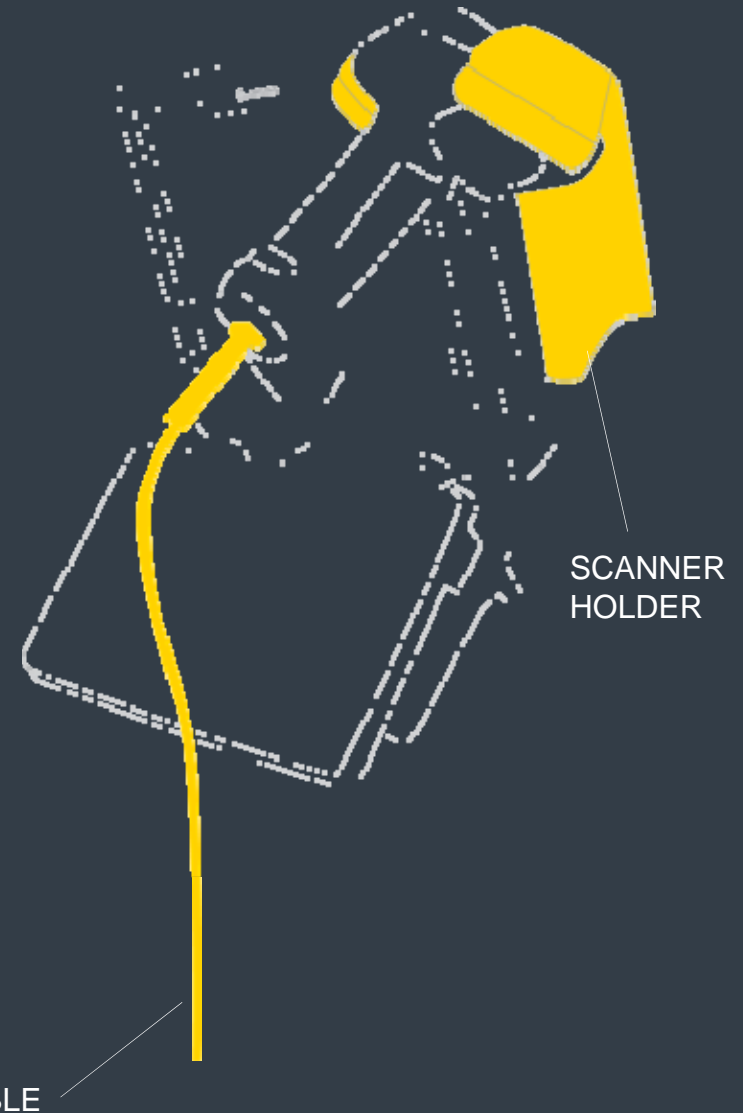
SCANNER CABLES FOR LS/DS 34XX/35XX

— SLIDE 22

SCANNER HOLDERS INCLUDE

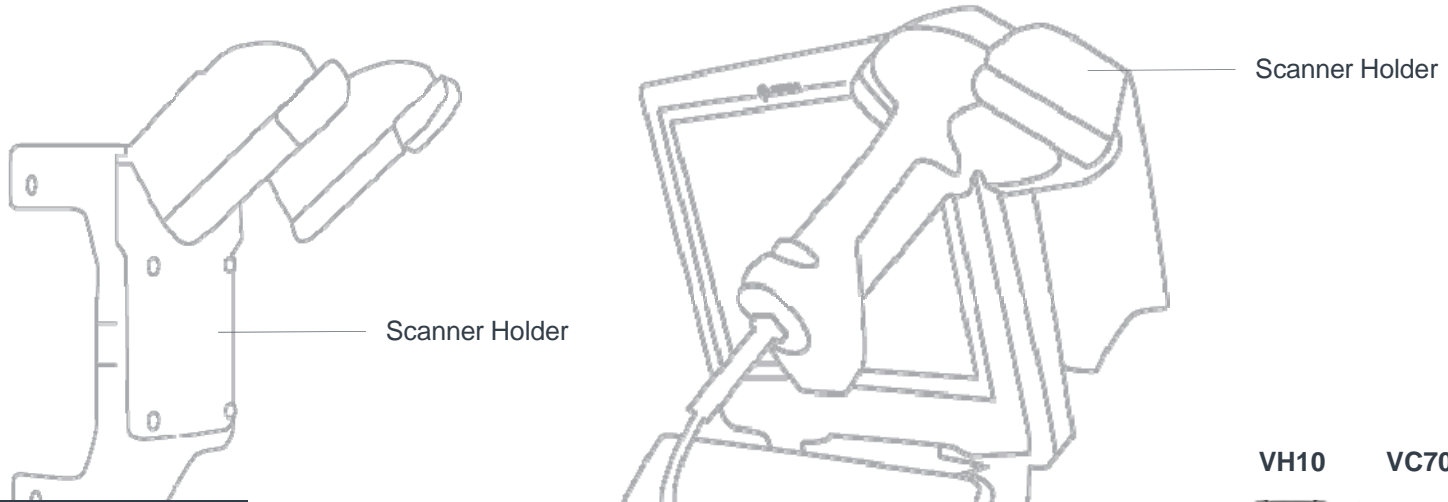
— SLIDE 23

- UNIVERSAL OPTIONS
- SOLUTIONS FOR LS34X8ER AND LS35X8ER
- THERMOTRAZ HEATED





		VH10	VC70	VC80
DS36XX				
SCANNER CABLES				
	RS232 ID: CBA-RF3-C09ZAR Cable - RS232: DB9 Female Connector, 9ft. (2.8m) Coiled, Power Pin 9, TxD on 2, True Converter, -30C		•	
	SHIELDED USB ID: CBA-UF2-C12ZAR Cable - Shielded USB: Series A Locking Connector for VC70, 12', Coiled, -30C		•	
	RS232 ID: CBA-R71-C09ZAR Cable - RS232: DB9 Female Connector, 9ft (2.8m) Coiled, Power Pin 9	•		•
	RS232 ID: CBA-RF2-C09ZAR Cable - RS232: DB9 Female Connector, 9ft (2.8m) Coiled, Power Pin 9, -30C	•		•
	SHIELDED USB ID: CBA-U46-S07ZAR Cable - Shielded USB: Series A Connector, 7ft. (2m), Straight, BC 1.2	•		•
	SHIELDED USB ID: CBA-U47-S15ZAR Cable - Shielded USB: Series A Connector, 15ft. (4.6m), Straight, BC 1.2	•		•
	SHIELDED USB ID: CBA-UF1-S07ZAR Cable - Shielded USB: Series A Connector, 7ft. (2m), Straight, BC 1.2, -30C	•		•
LS/DS 34XX/35XX				
SCANNER CABLES				
	SHIELDED USB ID: 25-159548-01 Cable - Shielded USB: Series A Locking Connector for VC70, 12', Coiled, -30C		•	
	RS232 ID: CBA-R46-C09ZBR Cable - RS232: DB9 Female Connector, 9ft. (2.8m) Coiled, Power Pin 9, TxD on 2, True Converter		•	
	RS232 ID: CBA-R49-C09ZAR Cable - RS232: DB9 Female Connector, 9ft. (2.8m) Coiled, Power Pin 9, TxD on 2, True Converter, Low Temp -30C		•	
	RS232 ID: CBA-R37-C09ZAR Cable - RS232: DB9 Female Connector, 9ft (2.8m) Coiled, Power Pin 9	•		•
	USB ID: CBA-U09-C15ZAR Cable - USB: Series A Connector, 15ft. (4.6m) Coiled	•		•
	SHIELDED USB ID: CBA-U01-S07ZAR Cable - Shielded USB: Series A Connector, 7ft. (2m), Straight, BC 1.2	•		•
	SHIELDED USB ID: CBA-U10-S15ZAR Cable - Shielded USB: Series A Connector, 15ft. (4.6m), Straight, BC 1.2	•		•



SCANNER HOLDERS

	VH10	VC70	VC80
SCANNER HOLDER ID: KT-SCANMNT-VC70-R Mounting holder for the scanner. For LS34x8ER, LS35x8ER. Requires KT-ACCMNT-VC70-R Accessory side mount bracket		●	
ACCESSORY MOUNT ID: KT-ACCMNT-VC70-R Accessory side mount bracket		●	
SCANNER HOLDER ID: 9008951 Thermotrax heated scanner holder with cable management system, 12 Volt, for LS/DS 34xx / 35xx	●	●	●
SCANNER HOLDER ID: 9008953 Thermotrax heated scanner holder with cable management system, 36-48 Volt, for LS/DS 34xx / 35xx	●	●	●
SCANNER HOLDER ID: 9008952 Thermotrax heated scanner holder with cable management system, 24 Volt, for LS/DS 34xx / 35xx	●		●
SCANNER HOLDER ID: KT-SCANMNT-VC80-R Side mounted holder for scanner	●		●

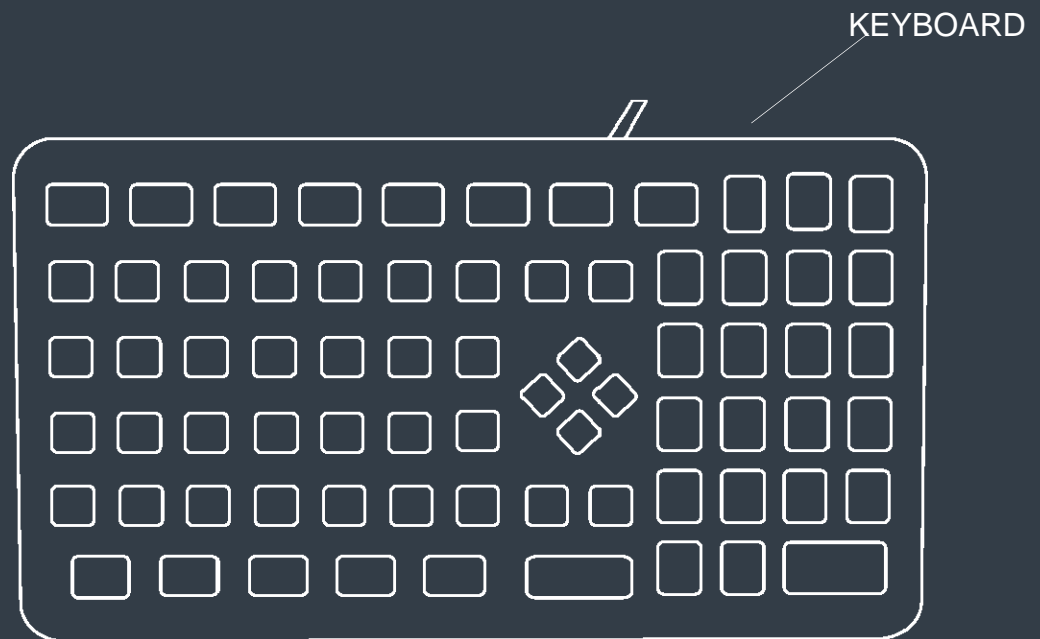
STEP 4: KEYBOARDS

WHILE THE VH10 HAS A BUILT-IN KEYBOARD,
THE VC70 AND VC80 GIVE YOU MULTIPLE
OPTIONS.









VC80 KEYBOARDS — SLIDE 24

VC70 KEYBOARDS — SLIDE 25

IKey KEYBOARDS — SLIDE 26





VC80	KEYBOARDS, CABLES AND MOUNTING OPTIONS
	KEYBOARD ID: KYBD-AZ-VC-01 VC USB Keyboard AZERTY
	KEYBOARD ID: KYBD-QW-VC80-S-1 USB Keyboard QWERTY with 22 cm cable for VC80
	KEYBOARD ID: KYBD-QW-VC80-L-1 USB Keyboard QWERTY with 300 cm cable for VC80
	KEYBOARD CABLE ID: CBL-VC80-KBUS1-01 22 cm VC80 USB cable for heated Keyboard
	KEYBOARD CABLE ID: CBL-VC80-KBUS2-01 300 cm VC80 USB cable for heated Keyboard
	KEYBOARD ID: KYBD-NU-VC70-03R USB Keyboard QWERTY with 300 cm y-cable for VC70 Freezer
	KEYBOARD TRAY ID: KT-KYBDTRAY-VC70-3 QWERTY/AZERTY Keyboard mounting tray. Includes tilting arms, knobs and screws.
	KEYBOARD SIDE MOUNT BRACKET ID: KT-KYBDMNT-VC70-R Function/Numeric keypad side mount bracket


VC70
KEYBOARDS, CABLES AND MOUNTING OPTIONS


KEYBOARD | ID: KYBD-AZ-VC-01
 VC USB Keyboard AZERTY



KEYBOARD | ID: KYBD-QW-VC70-S-1
 USB Keyboard QWERTY with 18 cm cable for VC70



KEYBOARD | ID: KYBD-QW-VC70-L-1
 USB Keyboard QWERTY with 300 cm cable for VC70



KEYBOARD | ID: KYBD-QW-VC70F-S-1
 USB Keyboard QWERTY with 37 cm y-cable for VC70 Freezer



KEYBOARD | ID: KYBD-QW-VC70F-L-1
 USB Keyboard QWERTY with 300 cm y-cable for VC70 Freezer



KEYBOARD CABLE | ID: CBL-VC70-KBUS1-01
 18 cm VC70 USB cable for heated Keyboard



KEYBOARD CABLE | ID: CBL-VC70-KBUS2-01
 300 cm VC70 USB cable for heated Keyboard



KEYBOARD CABLE | ID: CBL-VC70-KBUS4-01
 37 cm VC70 USB & RS232 Y-cable for heated Keyboard



KEYBOARD CABLE | ID: CBL-VC70-KBUS4-01
 300 cm VC70 USB & RS232 Y-cable for heated Keyboard



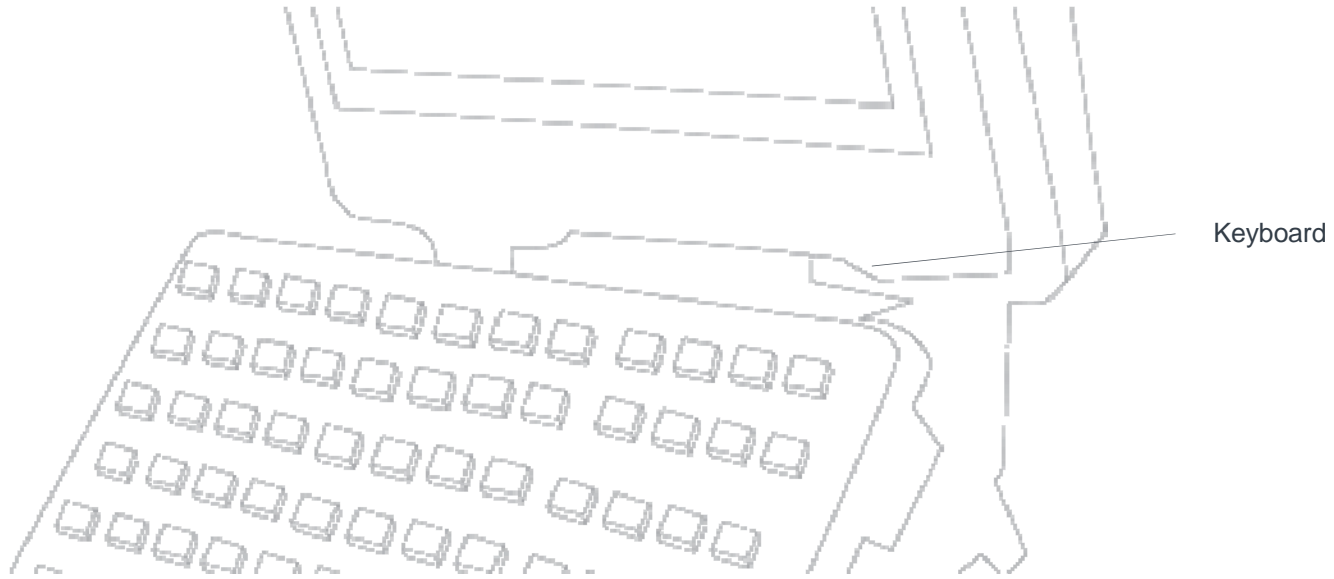
KEYBOARD | ID: KYBD-NU-VC70-03R
 USB Keyboard QWERTY with 300 cm y-cable for VC70 Freezer



KEYBOARD TRAY | ID: KT-KYBDTRAY-VC70-3
 QWERTY/AZERTY Keyboard mounting tray. Includes tilting arms, knobs and screws.



KEYBOARD SIDE MOUNT BRACKET | ID: KT-KYBDMNT-VC70-R
 Function/Numeric keypad side mount bracket



Keyboard

VC70 & VC80

iKey KEYBOARDS



KEYBOARD | ID: 9010376
iKey Keyboard, English, backlight, USBCable - RS232: DB9 Female Connector, 9ft. (2.8m) Coiled, Power Pin 9, TxD



KEYBOARD | ID: 9010377
iKey Keyboard, English, color, USB

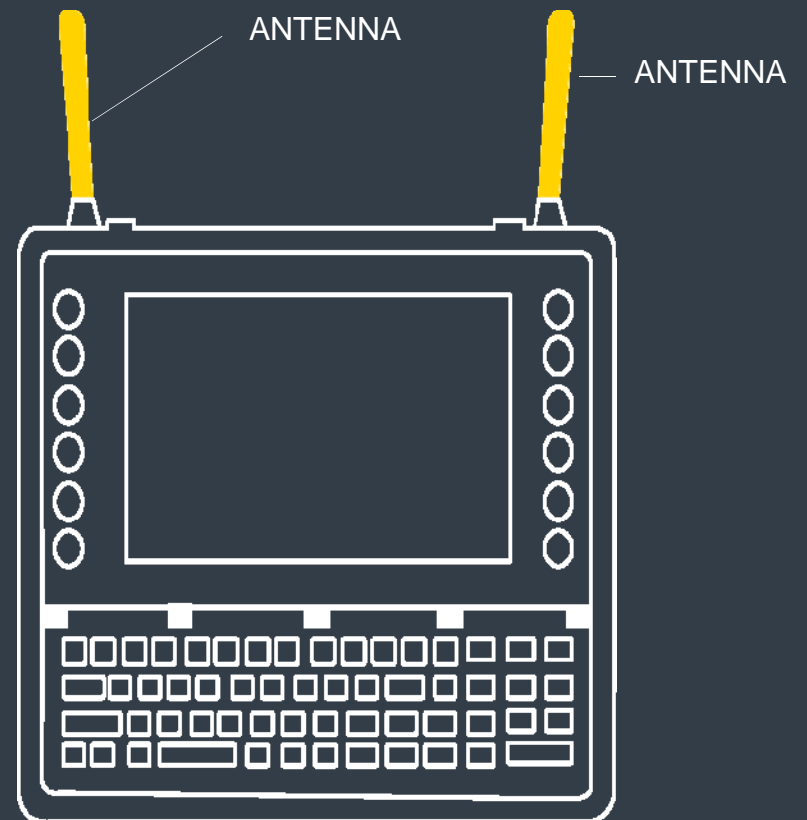
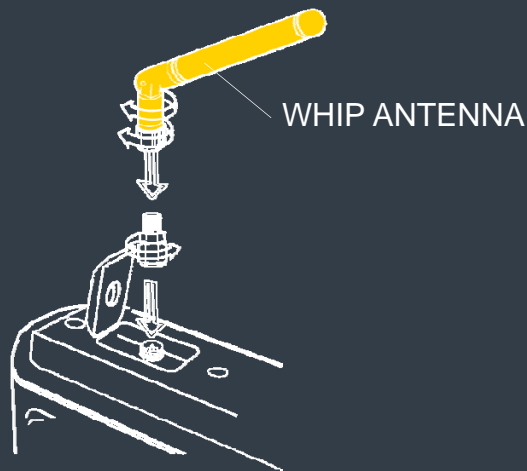


KEYBOARD | ID: SLK-101-M-USB-3F
iKey Keyboard, 101 keys (12 Function keys), large numeric pad, backlight, USB

STEP 5: ANTENNAS







YOUR OPTIONS OF ANTENNAS ARE WIDE: ——— SLIDE 28

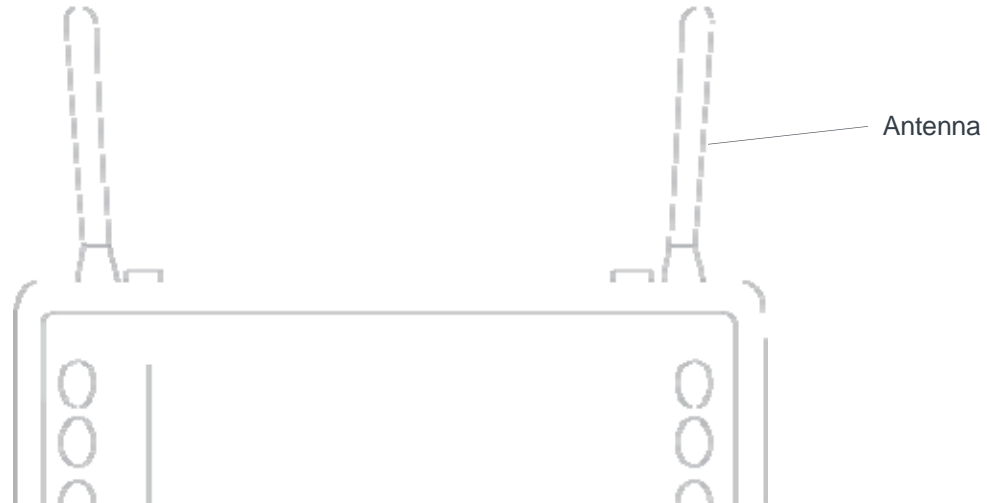
- WIFI – VC70, VC80 & VH10
- NARROWBAND – VH10 ONLY
- GPS – VC80 ONLY
- RIGHT-ANGLE ADAPTER FOR INSTALLATIONS WITH LITTLE OVERHEAD SPACE – VC70, VC80 & VH10





HERE'S A LIST OF ANTENNAS AND CONNECTIVITY FOR YOU TO CHOOSE FROM

ALL VCS	ANTENNAS & CONNECTIVITY FOR WIFI
	<p>ANTENNA ID: 20667-002 Whip antenna (stubby), 802.11 b/g - dipole 2 dBi reverse polarity SMA connector Antenna, dual band, 802.11 a/b/g/n, 2 dBi, RPSMA connector, magnetic mount, 2.9m, WiFi</p>
	<p>ANTENNA ID: AN2010 Antenna, dual band, 802.11 a/b/g/n, 2 dBi, RPSMA connector, magnetic mount, 2.9m, WiFi</p>
	<p>ANTENNA ID: AN2020 Antenna, 2.4 GHz, 802.11 b/g, 5 dBi, RPSMA connector, magnetic mount, 2.9m</p>
	<p>ANTENNA ID: AN2030 Whip antenna (stubby), dual band, 802.11 a/b/g/n, 2.4GHz 2dBi, 5GHz 3.7 dBi, RPSMA connector, WiFi</p>
VC70	ADAPTERS FOR VC70 TO ATTACH EXTERNAL WIFI ANTENNAS WITH RPSMA CONNECTOR
	<p>ADAPTER ID: RPSMA-RTRPSMA-05R ANTENNA ADAPTER RPSMA - RTRPSMA, 5-PACK, Required for the VC70 WiFi Antennas</p>
	<p>ADAPTER ID: RPSMA-RTRPSMA-10R ANTENNA ADAPTER RPSMA - RTRPSMA, 10-PACK, Required for the VC70 WiFi Antennas</p>



VH10 ANTENNAS & CONNECTIVITY FOR NARROWBAND

	<p>ANTENNA ID: 9009801 Antenna, Narrow Band 1/4 wave, 406-512 MHz 6" NB</p>
	<p>MOUNT ID: 9009792 Mount, Magnetic, for Narrowband, antenna, SMA, 12' cable</p>

VC80 ANTENNA FOR GPS

	<p>ANTENNA ID: RPSMA-RTRPSMA-05R GNSS antenna, magnetic mount, 2.9 m cable</p>
--	---

ALL VCS RIGHT ANGLE ADAPTER FOR INSTALLATIONS WITH LITTLE SPACE OVERHEAD, ALL VCS

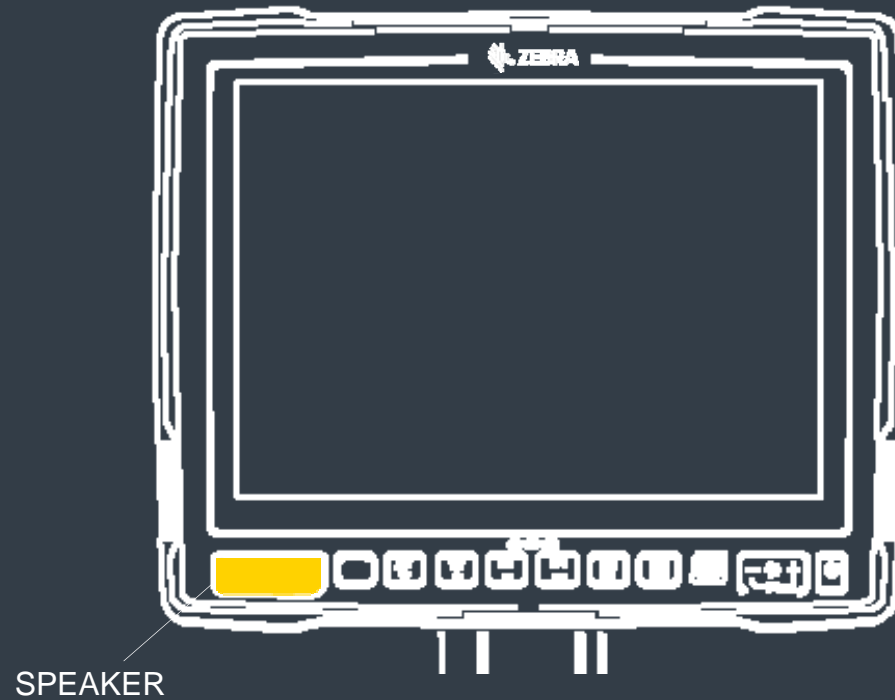
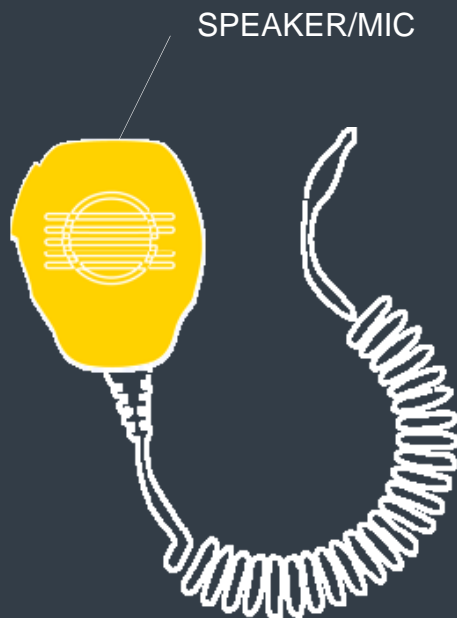
	<p>RIGHT ANGLE ADAPTER ID: AR1000 Right Angle SMA reverse polarity plug-jack Adapter</p>
--	---

STEP 6: VOICE

SELECT FROM TURNKEY KITS OR
VOICE ACCESSORIES À LA CARTE.

YOUR VOICE OPTIONS — SLIDE 31

- VOICE





VOICE		VH10	VC70	VC80
	MICROPHONE KIT ID: KT-MIC-01R This bundle includes the VC70 External PTT mic, the Motorola HMN1089B Water-resistant Palm Microphone or equivalent and the KT-ACCMNT-VC70-R Accessory Side mount bracket.			
	MICROPHONE ID: HMN1089B Push-To-Talk Hand Microphone, GCAI connector, Water Resistant		●	
	SIDE MOUNT ID: KT-ACCMNT-VC70-R Accessory Side mount bracket		●	
	SPEAKER KIT ID: KT-SPKR-01R This bundle includes the External speaker, the Motorola HSN4039A 13 Watt water-resistant loudspeaker and the 25-159552-01 VC70 external speaker adapter cable.		●	
	SPEAKER ID: HSN4040A External speaker, Motorola HSN4040A 13 Watt water-resistant loudspeaker. Requires 25-159552-01		●	
	INTERFACE CABLE ID: 25-159552-01 Speaker cable adapter, for HSN4040A, VC70. Required to connect the HSN4040A external speaker.		●	
	SPEAKER/MIC ID: M1000 Speaker/Mic with push-to-talk function	●		●









STEP 7: MISCELLANEOUS

DON'T FORGET TO CONSIDER THESE: — SLIDE 33

- STYLUS
- SCREEN PROTECTOR
- CAN BUS CABLE
- USB TO ETHERNET ADAPTER



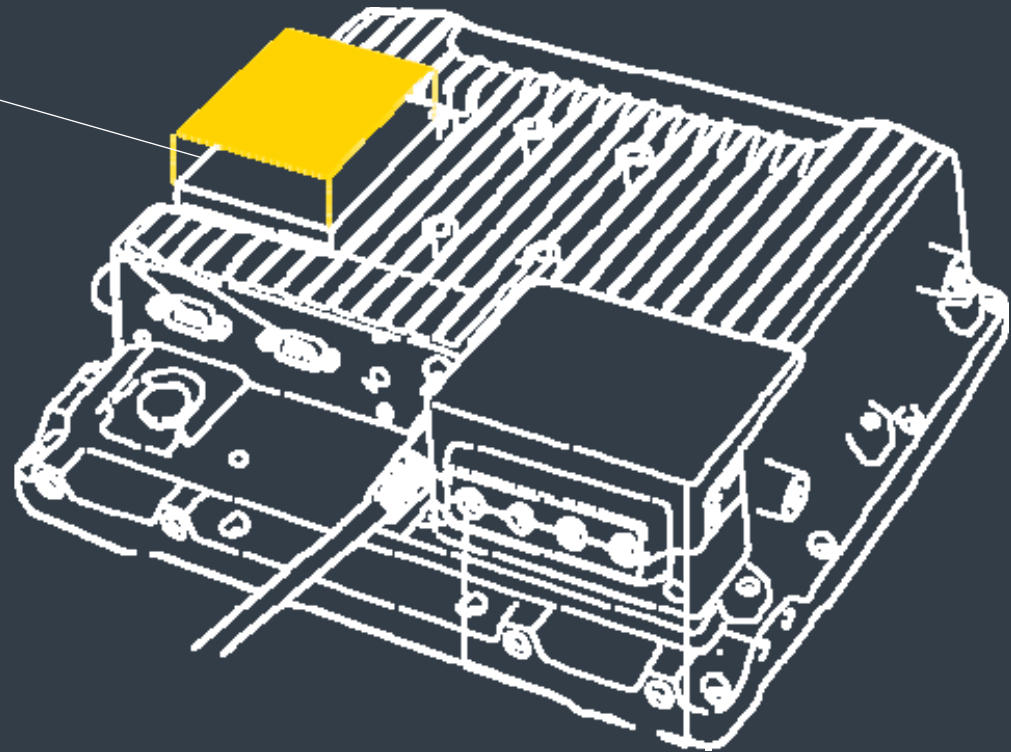


MISCELLANEOUS		VH10	VC70	VC80
	ID: SL0001 Stylus and Stylus Holder	•	•	•
	ID: VA6200 Screen Protector Pack of 3	•		
	ID: KT-SPRTCT-VC70-05R Screen Protector Pack of 5		•	•
	ID: CA1300 Screen blanking cable (DB9 to open wires)	•		•
	ID: CB-000433-01 CAN Bus Cable (RJ45 to Deutsch)			•
	ID: WA4070 USB to Ethernet Adapter	•		
	ID: 25-159547-01 Cable DB15M to DB9M, for COM2		•	
	ID: SG-VC70-VISR1-01 VC70 Sun Visor mountable with cut out wing.		•	

STEP 8: SERVICE PARTS




STOCK UP ON THESE ESSENTIAL SPARE PARTS: — SLIDE 35

- TOOL KIT
- KEYPADS
- TOUCH SCREENS
- SPARE BATTERY





VH10 VC70 VC80

SERVICE PARTS		VH10	VC70	VC80
	ID: AL1001 QWERTY Keypad	•		
	ID: AL1002 AZERTY Keypad	•		
	ID: AL2002 Front with standard touch screen and function keys	•		
	ID: AL2002 Front with heated touch screen and function keys	•		
	ID: ST2000 Modular Services Kit	•		•
	ID: KT-VC80-BTRY1-01 Spare Battery			•
	ID: KT-VC80-SCRH1-01 Front with Touch Screen (heated)			•
	ID: KT-VC80-SCRN1-01 Front with Touch Screen (non-heated)			•
	ID: BTRY-VC70IAB00 Spare Battery		•	
	ID: KYBD-QW-VC-01 QWERTY Spare Elastomer for VC USB Keyboard		•	•
	ID: KYBD-AZ-VC-01 AZERTY Spare Elastomer for VC USB Keyboard		•	•