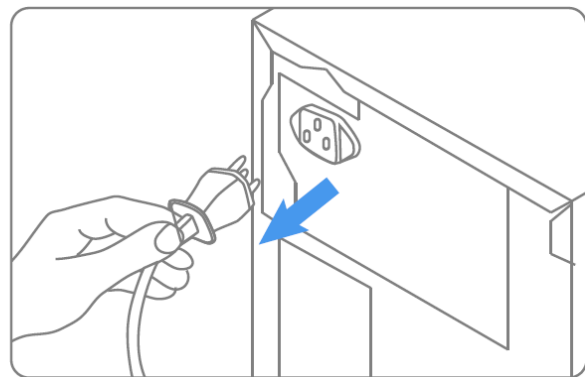
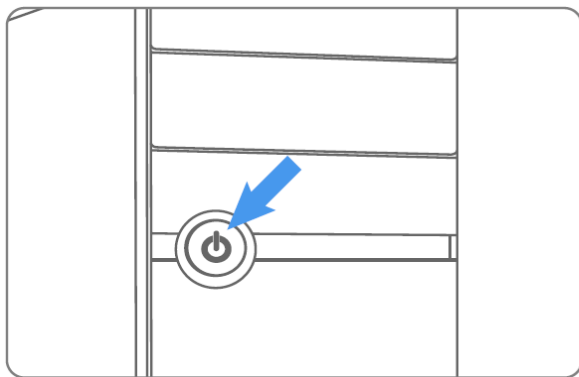


SSD Installation Guide for Desktop Computers

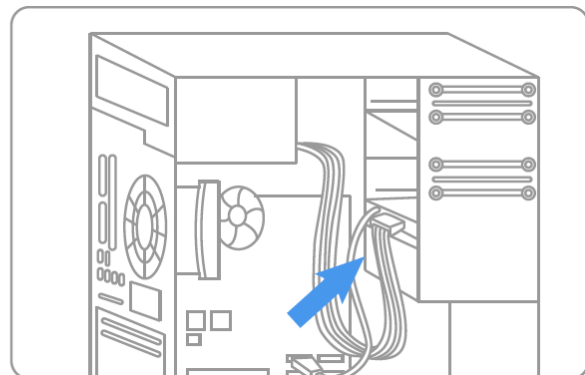
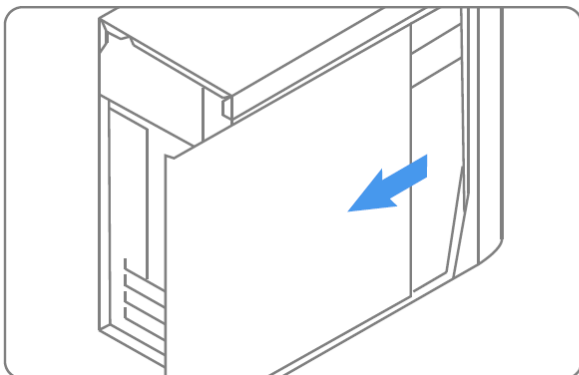
Handling Precautions

Please ground yourself before handling the solid state drive, as electrostatic discharge (ESD) can cause damage to the drive and other computer components. It is recommended to wear an antistatic wrist strap or glove to prevent damage.

Step 1- Before the installation commences, be sure to shut down your computer system and disconnect the power cord.

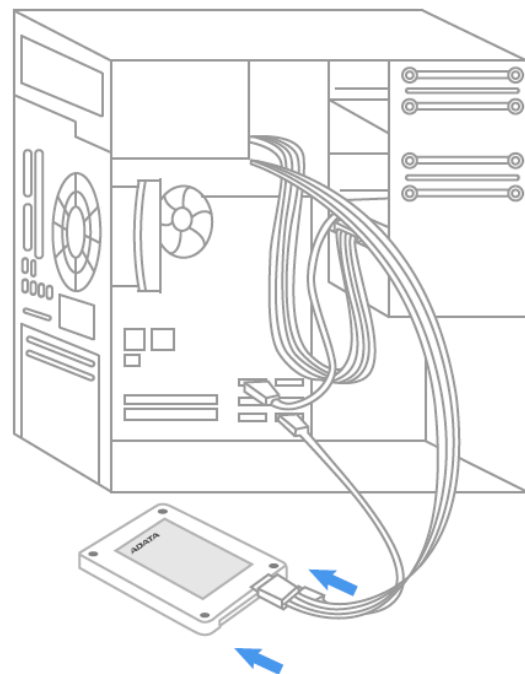
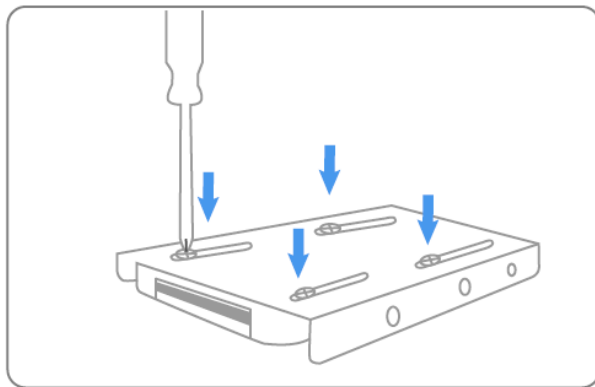
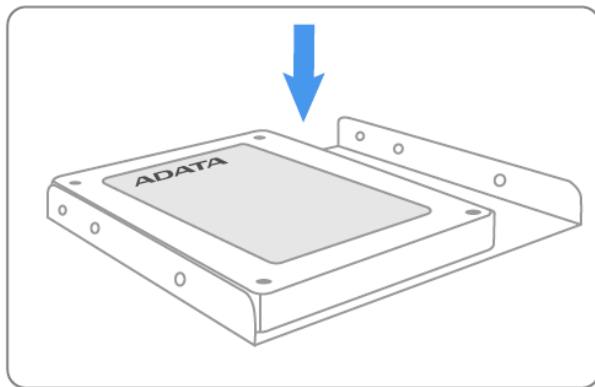


Step 2- Remove the computer case (refer to computer owner's manual), locate and identify the SATA connectors of your system. Refer to your computer's manual for information on how to remove the existing hard drive.



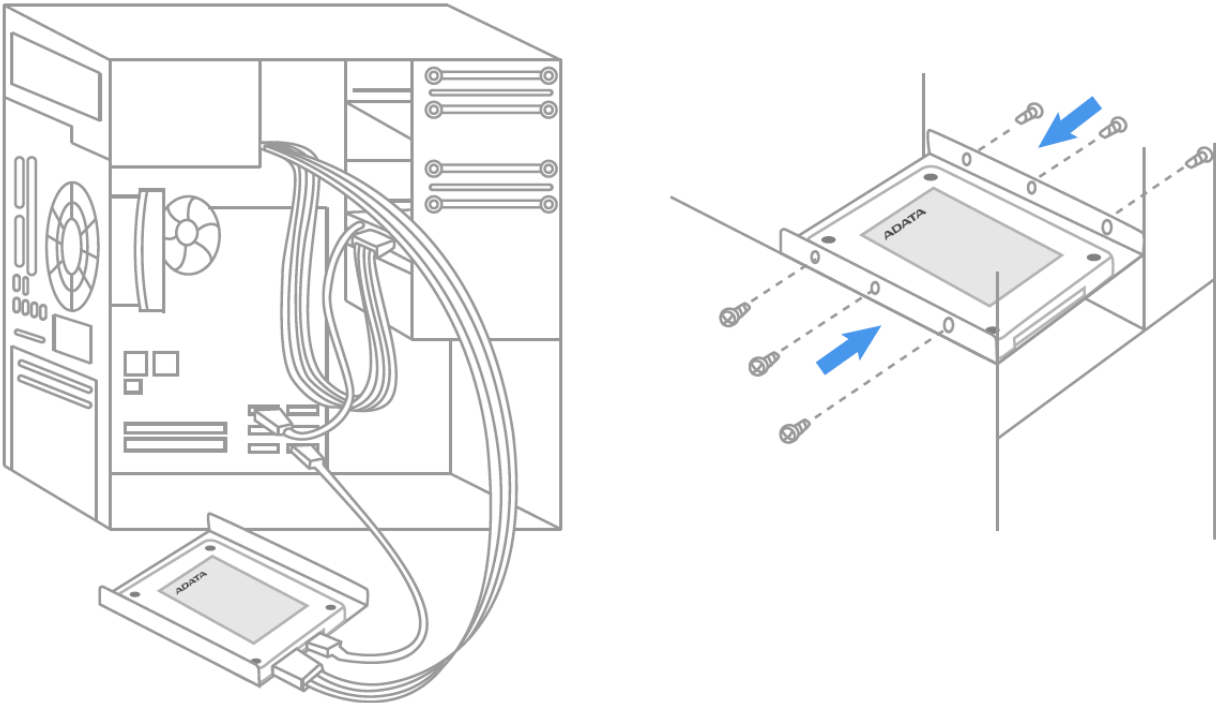
SSD Installation Guide for Desktop Computers

Step 3- SATA cables of the motherboard should be connected to the SATA data and power connectors on the solid state drive. Please be aware that the L-shaped SATA connector can only fit in one direction. Before pressing them into position, be sure to align the SATA plugs and solid state drive connectors properly.

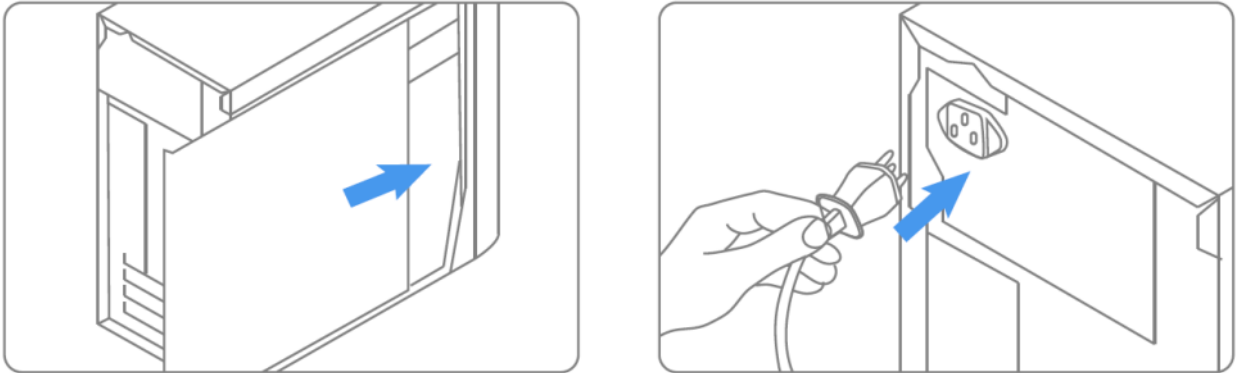


SSD Installation Guide for Desktop Computers

Step 4- The Solid State Drive can be securely mounted with the screws provided.

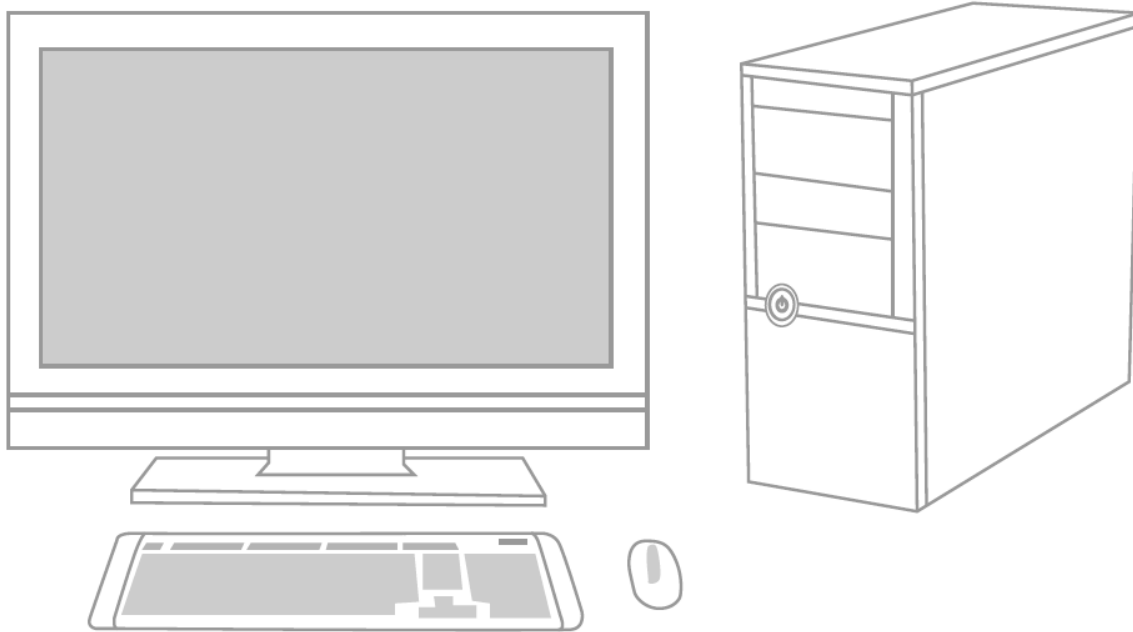


Step 5- After the installation is completed, restore the case to the original position and reconnect the power.



SSD Installation Guide for Desktop Computers

Step 6- Turn on the computer to verify installation.



Step 7- Configure the BIOS and Partition the drive

- A. Power on your computer system normally and follow the on-screen instruction during boot-up to proceed into the BIOS or CMOS configuration menu.
- B. Select the Auto function in the BIOS/CMOS menu that represents the SSD. This will allow your system to auto-detect the disk.
- C. Locate the SATA settings menu item and ensure the motherboard SATA ports are enabled.
- D. To save new settings and exit the BIOS/CMOS setup menu, choose the Save and Exit option.
- E. Reboot the system or device allowing the changes to take effect.

SSD Installation Guide for Desktop Computers

F. If you are going to install an OS onto the SSD, please first delete the original partition before repartitioning the SSD during installation of the OS.

G. If you intend to install any backup tools, such as Acronis Migration Utility or others with your SSD, please format the drive prior to installation.

Exclusive Software Download :

Download drivers or software after registering your product with the attached number (the code shown on the tag on back side of package).

http://www.adata-group.com/?action=ss_main&page=ss_software&lan=en

Please refer to

http://www.adata-group.com/?action=ss_main&page=ss_prowar&lan=en

for complete warranty terms and conditions. Warranty policy on the website supersedes any other information if there is a discrepancy.