

EH16 Series Enclosure

COMPACT, INDOOR/OUTDOOR, IP-ENABLED

Product Features

- High Reliability Die-Cast Construction
- Temperature Range from -30° to 60°C (-22° to 140°F)
- Meets IP66 and NEMA Type 4X Standards
- IK10 Mechanical Impact Resistance
- Models Available with Factory-Installed, Low-Power Heater and Blower with 24 VAC Camera Power Supply
- Power Over Ethernet (PoE) Models: -2P and -8P Models Provide PoE to the Camera and Power to the Heater and Blower
- Advanced Optics for Megapixel Camera Support
- Cable Entry Glands and Mounting Holes on Bottom of Enclosure
- Designed for Indoor/Outdoor Applications
- Easy Access for Servicing and Installation
- Optional Sun Shroud

The **EH16 Series** is an indoor/outdoor, highly reliable camera enclosure with a compact body designed for easy installation. Constructed from die-cast aluminum, the **EH16 Series** enclosure is designed to operate in a wide range of environments and to protect electronic components in temperatures from -30° to 60°C (-22° to 140°F).

The **EH16 Series** enclosure is designed for use with analog and IP cameras that have both fixed and variable focal length lenses (with or without auto iris operation). The tethered, detachable lid provides easy access to the innovative camera sled. Two adjustable glands (PG9 and PG11) on the bottom of the enclosure allow for easy installation of the power and video cables.



EH16 ENCLOSURE WITH OPTIONAL EM16 FEEDTHROUGH MOUNT

Factory-installed options include a heater and blower with 24 VAC camera power supply and sun shroud. The enclosure can also be ordered from the factory with 24 VAC or IEEE802.3af power over ethernet enclosure input voltage, 802.3af-compatible camera power, and appropriate heater and blower power.

The **EH16 Series** is ideal for small- to medium-size analog and IP cameras and can be mounted to Pelco's EM16 (feedthrough wall mount), EM1450 (non-feedthrough wall mount), or any other Pelco light to medium duty mount.

TECHNICAL SPECIFICATIONS

MECHANICAL

Camera Mounting	Single slot for adjustable camera positioning on snap-in camera sled
Camera and Lens Size	Accepts camera and lens combinations (including BNC connector) up to 22.86 x 7.92 x 7.62 cm (9.00" L x 3.12" W x 3.00" H)
Viewing Window	0.3 cm (0.118-inch) thick, high optic grade, scratch-resistant Lexan™
Viewing Area	7.14 x 6.27 cm (2.81" W x 2.47" H)
Cable Entry	1 x PG9 and 1 x PG11 compression glands on bottom
Maximum Cable Diameters	
PG9	0.80 cm (0.312 in.)
PG11	1.00 cm (0.395 in.)
Cable Entry Holes	1.00 x 1.91 cm (0.750 in.) diameter and 1.00 x 1.60 cm (0.630 in.) diameter; 1.91 cm (0.750-inch) hole will accept 1/2-inch NPT conduit fitting when enlarged to 2.22 cm (0.875 inches); 1.60 cm (0.630-inch) hole will accept 1/4-inch NPT conduit fitting
Lid Fastening	3 Torx-head T30 screws

CERTIFICATIONS

- CE
- UL/cUL Listed*
- Meets NEMA Type 4X and IP66 standards
- IK10 Mechanical Impact Resistance

*At the time of this publication, these certifications are pending for -2P and -8P models. Consult the factory, our Web site (www.pelco.com), or the most recent B.O.S.S.® update for the current status of certifications.

ELECTRICAL

Input Power	24 VAC, IEEE802.3at, or 230 VAC
Input Voltage	
PoE	IEEE802.3at
24 VAC	±10% VAC
230 VAC	±10% VAC

GENERAL

Construction	Die-cast aluminum	
Finish	Alodine with gray polyester powder coat	
Environment	Indoor/outdoor ambient temperature -30° to 60°C (-22° to 140°F)	
Unit Length		
Base	33.99 cm (13.38 in.)	
Overall	36.55 cm (14.39 in.)	
Weight	Unit	Shipping
EH16	1.13 kg (2.50 lb)	1.81 kg (4.00 lb)
EH16-MT	1.42 kg (3.13 lb)	2.27 kg (5.00 lb)
EH16-MTS	2.16 kg (4.76 lb)	2.72 kg (6.00 lb)
EH16-2	1.16 kg (2.56 lb)	1.81 kg (4.00 lb)
EH16-2MT	1.45 kg (3.19 lb)	1.81 kg (4.00 lb)
EH16-2MTS	2.16 kg (4.76 lb)	2.72 kg (6.00 lb)
EH16-3	1.16 kg (2.56 lb)	1.81 kg (4.00 lb)
EH16-3MT	1.45 kg (3.19 lb)	1.81 kg (4.00 lb)
EH16-3MTS	2.16 kg (4.76 lb)	2.72 kg (6.00 lb)
EH16-2P	1.27 kg (2.80 lb)	1.91 kg (4.20 lb)
EH16-2PMT	1.51 kg (3.43 lb)	1.91 kg (4.20 lb)
EH16-2PMTS	2.27 kg (5.00 lb)	2.81 kg (6.20 lb)
EH16-8P	1.22 kg (2.70 lb)	1.86 kg (4.10 lb)
EH16-8PMT	1.47 kg (3.23 lb)	1.86 kg (4.10 lb)
EH16-8PMTS	2.22 kg (4.90 lb)	2.77 kg (6.10 lb)

EM16 Wall Mount (Optional)

Construction	Aluminum	
Finish	Alodine with gray polyester powder coat	
Weight	Unit	Shipping
	0.29 kg (0.63 lb)	0.91 kg (2.00 lb)

RECOMMENDED CAMERAS

Sarix®, Sarix Professional, and the Sarix Enhanced series.

OPTIONAL ACCESSORIES

SUN SHROUD

SS16	Indoor/outdoor, aluminum construction
------	---------------------------------------

POWER SUPPLIES

Indoor/Outdoor 24 VAC

WCS1-4	Outdoor, 1 output, 4 A (100 VA) capacity
WCS4-20B	Outdoor, 4 outputs, 20 A (480 VA) capacity
MCS4-2B	Indoor, 4 outputs, 2 A (48 VA) capacity
MCS8-5B	Indoor, 8 outputs, 5 A (120 VA) capacity
MCS16-10	Indoor, 16 outputs, 10 A (240 VA) capacity
MCS16-10SB	Same as above except with circuit breakers
MCS16-20	Indoor, 16 outputs, 20 A (480 VA) capacity
MCS16-20SB	Same as above except with circuit breakers

Indoor PoE

POE21U1AF-US, -EU	High-power, single-port, IEEE802.3af injector
POE1AT-US, -EU	Single-port, IEEE802.3at midspan
POE4ATN-US, -EU	4-port, IEEE802.3at midspan
POE8ATN-US, -EU	8-port, IEEE802.3at midspan
POE16ATN-US, -EU	16-port, IEEE802.3at midspan

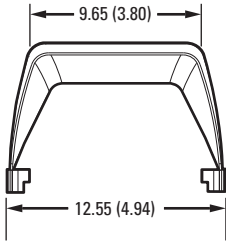
Note: The "EU" or "US" suffix indicates a European or US power cord.

TECHNICAL SPECIFICATIONS

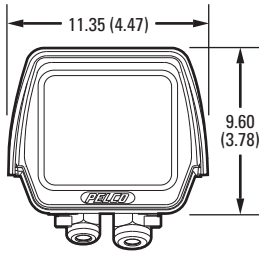


**EH16 WITH OPTIONAL
SS16 SUN SHROUD AND EM16 MOUNT**

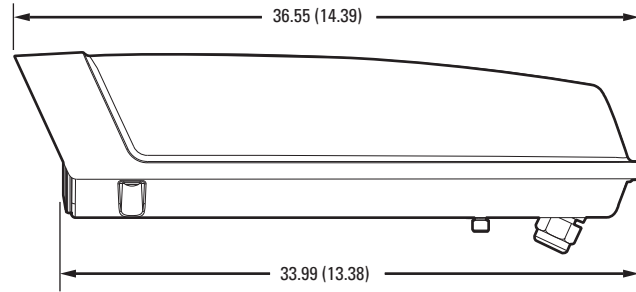
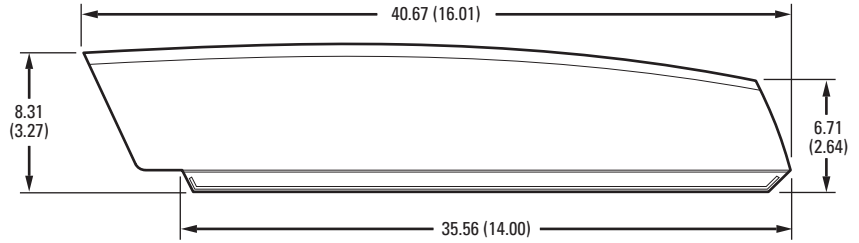
VALUES IN PARENTHESES ARE INCHES;
ALL OTHERS ARE CENTIMETERS.



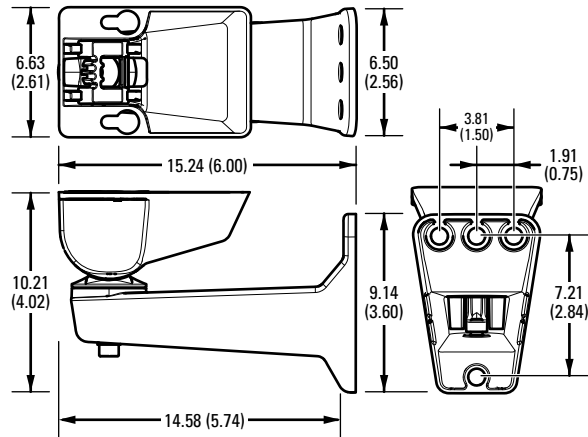
SS16 SUN SHROUD



EH16 SERIES ENCLOSURE



OPTIONAL EM16 WALL MOUNT



TECHNICAL SPECIFICATIONS

MODELS

Model Number	Basic Enclosure	PoE IEEE802.3at Input with 802.3af-Compatible Camera Power	24 VAC with 802.3af-Compatible PoE Camera Power	24 VAC Input Voltage with 24 VAC Camera Voltage	230 VAC Input Voltage with 24 VAC Camera Voltage	Heater/Blower	Feedthrough Wall Mount	Sun Shroud	Enclosure Power Consumption*	Maximum Power Consumption Capacity	Provided Camera Power
24 VAC/230 VAC Models											
EH16	•										
EH16-MT	•						•				
EH16-MTS	•						•	•			
EH16-2	•			•		•			10 W		
EH16-2MT	•			•		•	•		10 W		
EH16-2MTS	•			•		•	•	•	10 W		
EH16-3	•				•	•			10 W	25 W	8 W
EH16-3MT	•				•	•	•		10 W	25 W	8 W
EH16-3MTS	•				•	•	•	•	10 W	25 W	8 W
PoE Models[†]											
EH16-2P	•		•			•			10 W	25 W	13 W
EH16-2PMT	•		•			•	•		10 W	25 W	13 W
EH16-2PMTS	•		•			•	•	•	10 W	25 W	13 W
EH16-8P	•	•				•			10 W	25 W	13 W
EH16-8PMT	•	•				•	•		10 W	25 W	13 W
EH16-8PMTS	•	•				•	•	•	10 W	25 W	13 W

*Enclosure power consumption does not include camera wattage.

[†]The power supply module in these models is not an LLDP-enabled powered device, therefore it will not negotiate with a PoE/PoE+ Auto Sensing Switch.

OPTIONAL MOUNTS

WALL

EM16	Wall mount with feedthrough for EH16 (tilt angle of +20° to -70°); withstands wind velocities up to 145 km/h (90 mph)
EM1450	Light duty wall mount, maximum load 9.07 kg (20 lb)
EM2400	Medium duty wall mount; maximum load 18.14 kg (40 lb) with feedthrough (tilt angle of ±90°)
EM22	Medium duty wall mount; maximum load 18.14 kg (40 lb)

PEDESTAL

EM1009U, EM1015U, MM22 Medium duty pedestal mount, maximum load 18.14 kg (40 lb)

PIPE/POLE

EM1109, EM2000, EM2200 Medium duty mounts for pipe/pole applications; maximum load 18.14 kg (40 lb); fit poles with 7.62 cm (3 in.) to 20.32 cm (8 in.) diameter

Pelco, Inc.

625 W. Alluvial Ave., Fresno, CA 93711 United States
USA & Canada Tel (800) 289-9100 Fax (800) 289-9150
International Tel +1 (559) 292-1981 Fax +1 (559) 348-1120
www.pelco.com

Pelco, the Pelco logo, and other trademarks associated with Pelco products referred to in this publication are trademarks of Pelco, Inc. or its affiliates. ONVIF and the ONVIF logo are trademarks of ONVIF Inc. All other product names and services are the property of their respective companies. Product specifications and availability are subject to change without notice.
 ©Copyright 2016, Pelco, Inc. All rights reserved.