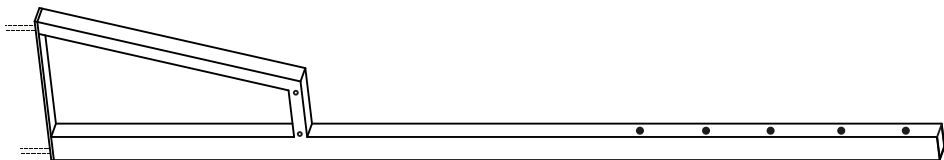
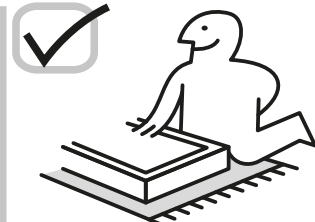
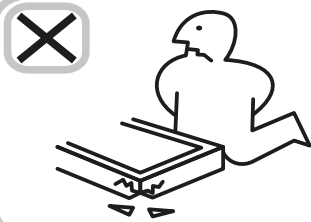
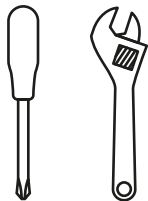
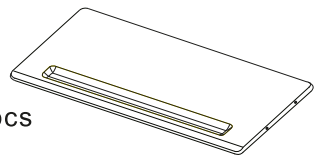


# Mobile Bracket Installation Guide



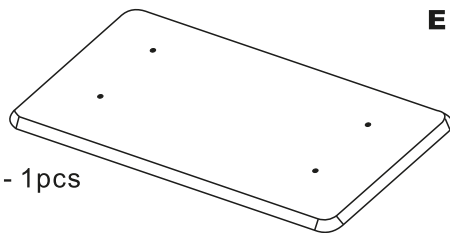
**D** - 2pcs



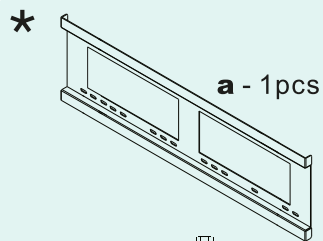
**F** - 1pcs



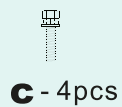
**E** - 4pcs



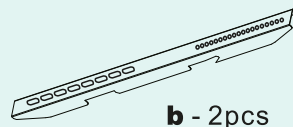
**I** - 1pcs



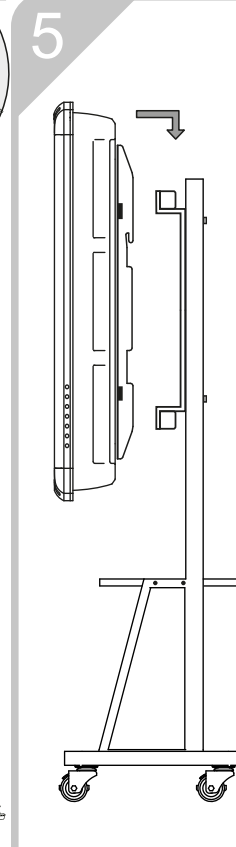
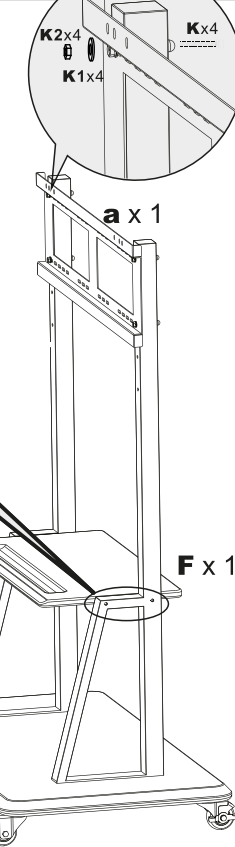
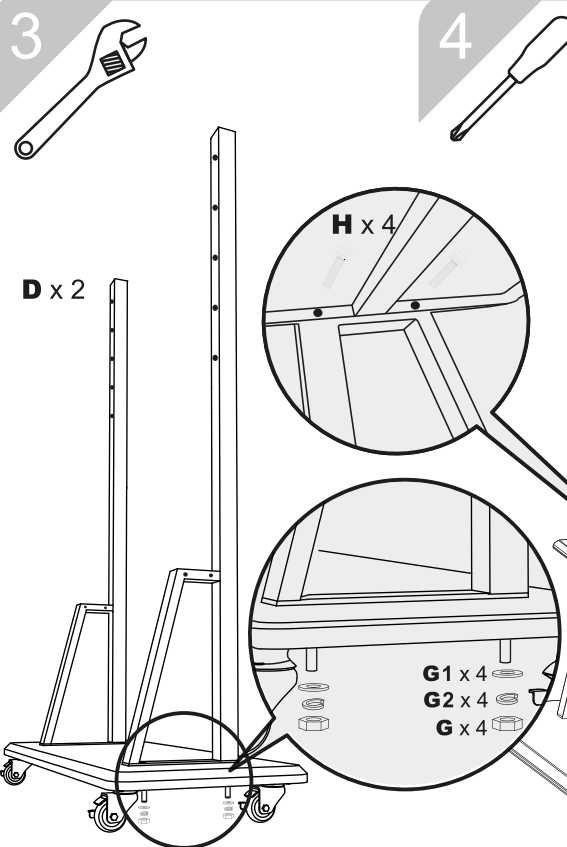
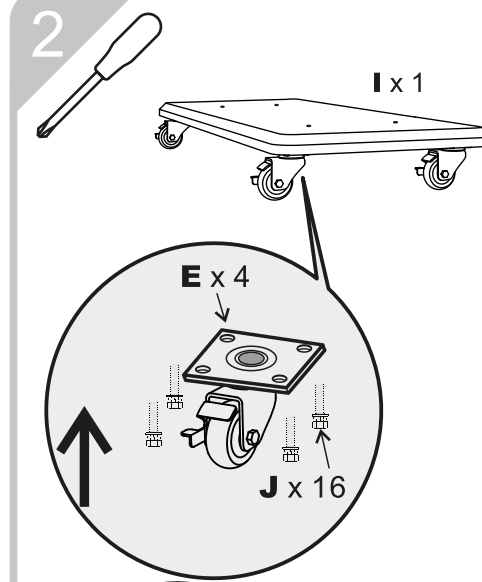
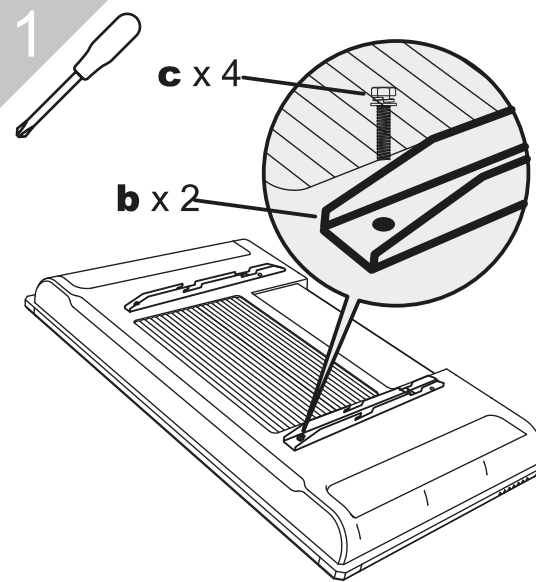
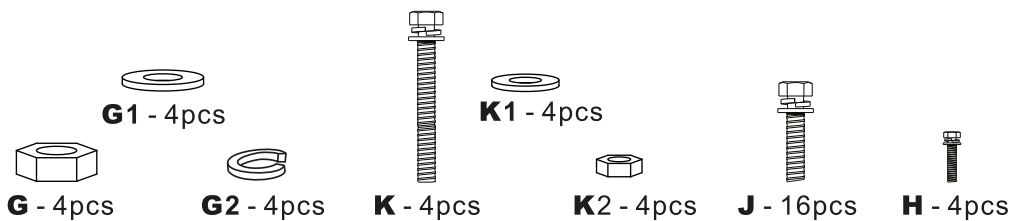
**a** - 1pcs



**C** - 4pcs



**b** - 2pcs



\* These components do not come with the ST01 stand but have to be purchased separately (Optoma OWMFP01)