

# TC5X/TC7X Workstation Cradle



**ZEBRA**

## **User Guide**

ZEBRA and the stylized Zebra head are trademarks of Zebra Technologies Corporation, registered in many jurisdictions worldwide. All other trademarks are the property of their respective owners.  
© 2020 Zebra Technologies Corporation and/or its affiliates. All rights reserved.

Information in this document is subject to change without notice. The software described in this document is furnished under a license agreement or nondisclosure agreement. The software may be used or copied only in accordance with the terms of those agreements.

For further information regarding legal and proprietary statements, please go to:

SOFTWARE: <http://www.zebra.com/linkoslegal>

COPYRIGHTS: <http://www.zebra.com/copyright>

WARRANTY: <http://www.zebra.com/warranty>

END USER LICENSE AGREEMENT: <http://www.zebra.com/eula>

## Terms of Use

### Proprietary Statement

This manual contains proprietary information of Zebra Technologies Corporation and its subsidiaries ("Zebra Technologies"). It is intended solely for the information and use of parties operating and maintaining the equipment described herein. Such proprietary information may not be used, reproduced, or disclosed to any other parties for any other purpose without the express, written permission of Zebra Technologies.

### Product Improvements

Continuous improvement of products is a policy of Zebra Technologies. All specifications and designs are subject to change without notice.

### Liability Disclaimer

Zebra Technologies takes steps to ensure that its published Engineering specifications and manuals are correct; however, errors do occur. Zebra Technologies reserves the right to correct any such errors and disclaims liability resulting therefrom.

### Limitation of Liability

In no event shall Zebra Technologies or anyone else involved in the creation, production, or delivery of the accompanying product (including hardware and software) be liable for any damages whatsoever (including, without limitation, consequential damages including loss of business profits, business interruption, or loss of business information) arising out of the use of, the results of use of, or inability to use such product, even if Zebra Technologies has been advised of the possibility of such damages. Some jurisdictions do not allow the exclusion or limitation of incidental or consequential damages, so the above limitation or exclusion may not apply to you.

## Publication Date

August 3, 2020

## Introduction

The TC5X and TC7X Workstation Cradle is an enhanced single-slot charging cradle with additional ports for HDMI, Ethernet, and four USB ports that enable a TC5X or TC7X device to be used as a workstation computer when connected to a HDMI monitor, keyboard and mouse. The TC5X cradle supports TC52, and TC57 devices. The TC7X cradle supports TC72, and TC77 devices.

The workstation cradle provide:

- 5 VDC power for operating the device.
- Three 0.5 mA USB ports for USB devices (keyboard, mouse, USB scanner, etc.).
- One 1.5 mA USB port for a USB device or for charging a personal mobile device.
- One HDMI port for connection to a monitor.



**NOTE:** If the user also wants audio support, they need to use a monitor that has speakers (audio through the HDMI connection).

If the user also wants to support a touch monitor, they need to use a monitor that supports touch inputs and connect the feature to one of the USB ports of the cradle.

- One Ethernet port for connection to a wired Ethernet network.

## In the Box

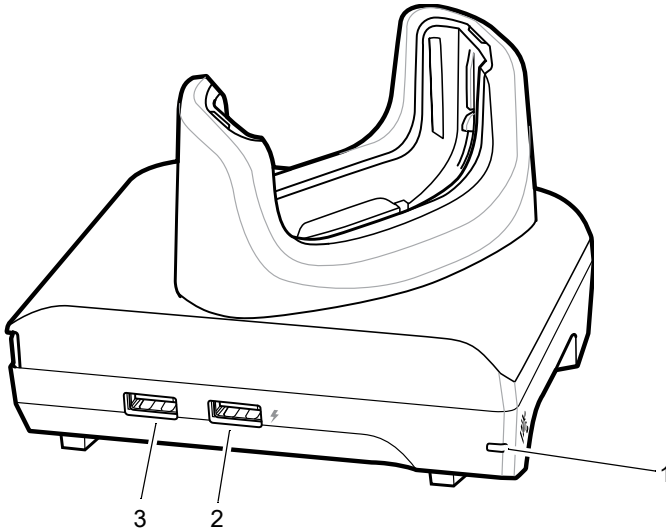
The kit contains:

- workstation cradle
- power supply
- DC cable
- regulatory guide.

Inspect the equipment for damage. If any equipment is missing or damaged, contact the Global Customer Support center immediately.

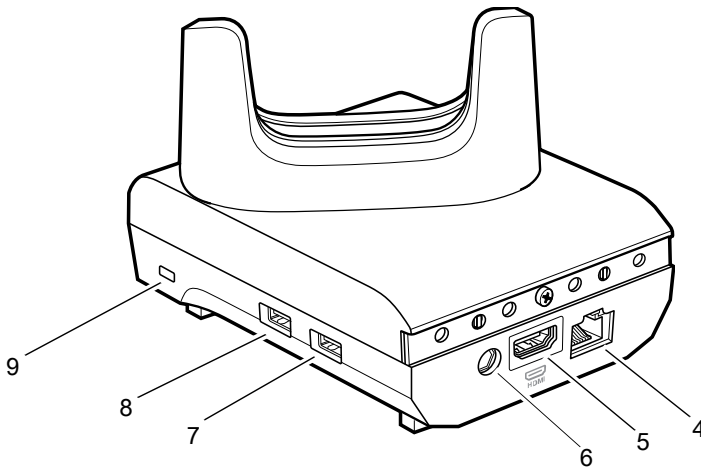
## Features

**Figure 1** Left Side View (TC5X Cradle Shown)



Item	Description
1	LED - Indicates that power is applied to the cradle.
2	1.5 mA USB Port - USB Type A port for mouse or keyboard, or personal mobile device.
3	0.5 mA USB Port - USB Type A port for mouse or keyboard.

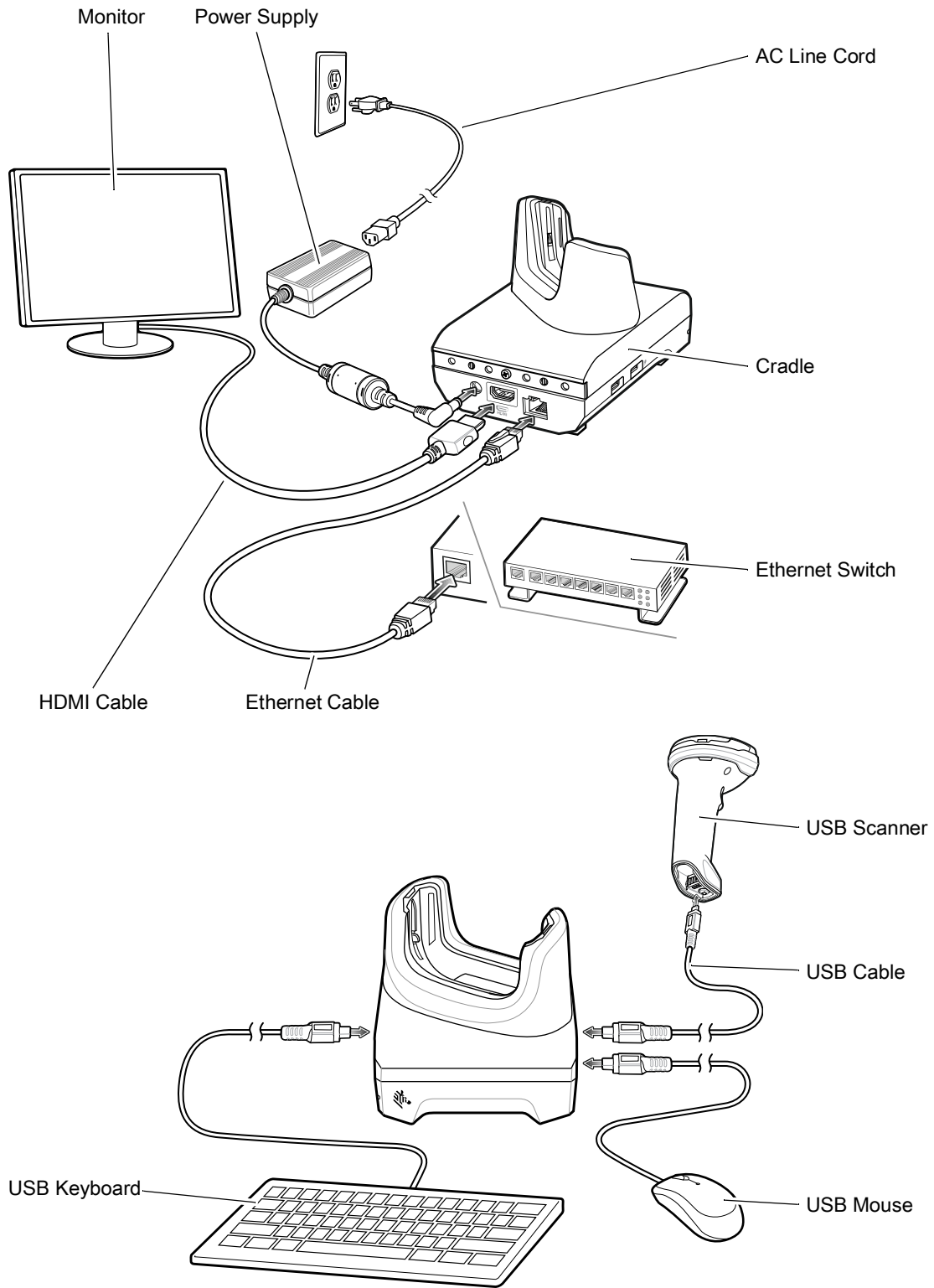
**Figure 2** Rear/Right Side View (TC5X Cradle Shown)



Item	Description
4	Ethernet Port - Connects to an Ethernet network.
5	HDMI Port - Connects to monitor.
6	Power Port - Provides power to the cradle.
7	USB Type A Port - Connection for mouse or keyboard.
8	USB Type A Port - Connection for mouse or keyboard.
9	Kensington Slot - Connecting point for Kensington locking system to secure cradle.

# Setup

**Figure 3** Workstation Cradle Setup (TC5X Cradle Shown)



## Ethernet Setup

For device Ethernet setup, refer to the device Integrator Guide.

## Scanner Setup

The workstation cradle only supports a USB scanner in Human Interface Device (HID) mode. Refer to the scanner Product Reference Guide for information on configuring the scanner to HID mode.

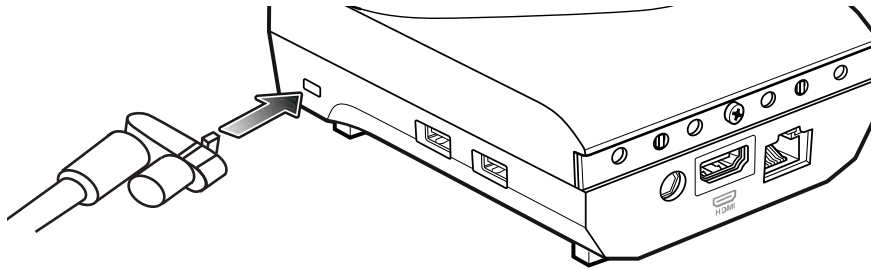
## Bluetooth Device Setup

Bluetooth devices such as keyboard and mouse can be connected to the device. Follow Bluetooth instructions in the device User Guide for connecting these peripherals to the device.

## Security

The cradle provides a Kensington Slot to secure the cradle using a Kensington locking cable.

**Figure 4** Securing Cradle with Kensington Lock



## Using the Workstation Cradle

Turn on the device.

1. Insert the device into the cradle.

The device screen automatically rotates and mirrors on the connected monitor.

## Changing Monitor Resolution

Screen resolution is automatically detected by the device when placed in the cradle. To manually change the external monitor screen resolution:

1. Go to **Settings > Display > External screen resolution**.
2. Select the a resolution for the attached monitor.
3. Insert the device into the cradle.

## Charging the Device

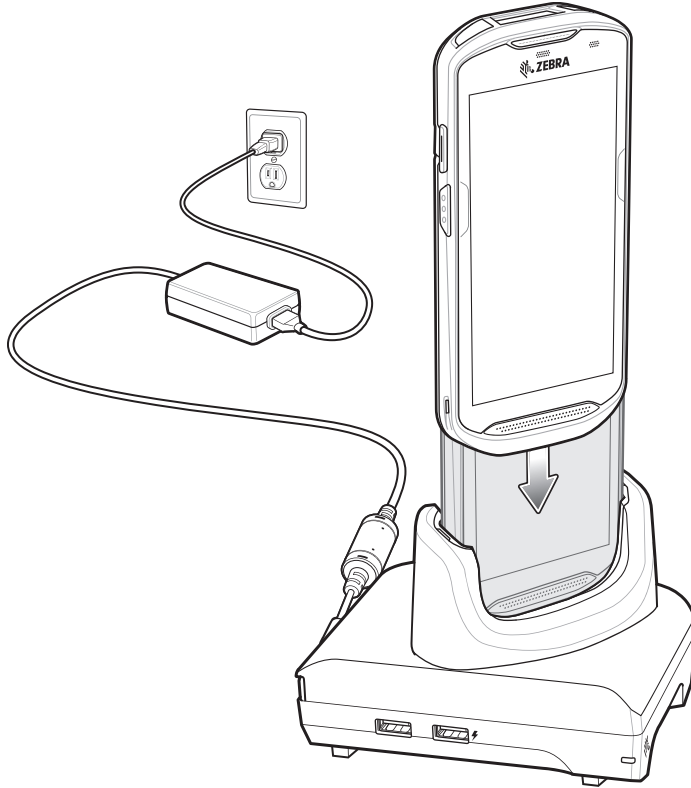
To charge a device:



**NOTE:** If a TC5X has a Rugged Boot, remove the cup insert before inserting the device.

1. Insert the device into the slot to begin charging.

**Figure 5** Battery Charging (TC5X Cradle Shown)



2. Ensure the device is seated properly.

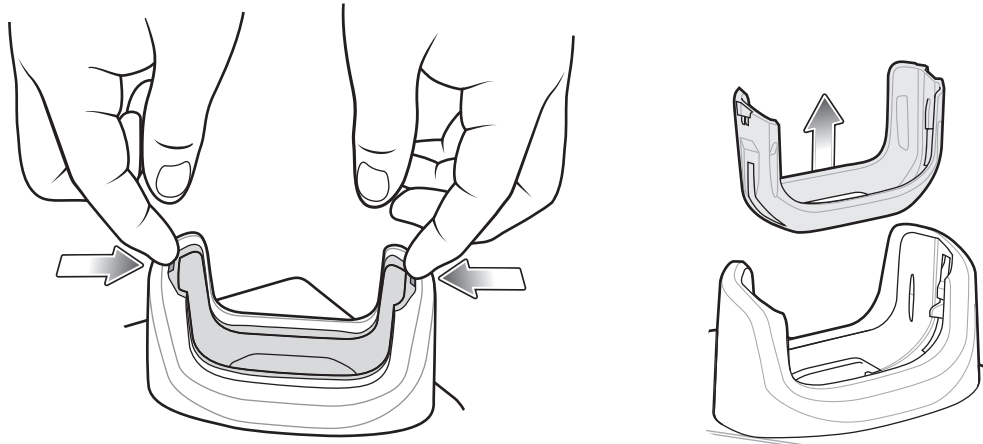
## Inserting a TC5X with Rugged Boot into Cradle



**NOTE:** Applies to TC5X devices only.

Each TC5X cradle cup has an insert that must be removed prior to inserting the TC5X with Rugged Boot. Remove the insert and then insert the TC5X into the cup.

**Figure 6** Remove Insert from Cup



## Cleaning

Refer to the device User Guide for cleaning instructions.

## Troubleshooting

**Table 1** Troubleshooting

Problem	Cause	Solution
External monitor not detected.	The device is powered off when placed in the cradle and then turns on.	Remove the device from the cradle and re-insert. The device will then detect the monitor.
Display does not change orientation quickly.	It takes a little time for the device to recognize the monitor.	Wait for screen to re-orientate.
Devices does not switch to landscape mode.	Device not detecting monitor.	Remove the device from the cradle and re-insert.
	Display setting not set properly.	Go to <b>Settings &gt; Display &gt; When device detects external monitor</b> . Ensure <b>Rotate screen orientation</b> is selected.
Peripheral not detected.	Bad cable connection.	Remove cable and re-connect.



# Specifications

## TC5X Cradle

**Table 2** TC5X Cradle Technical Specifications

Item	Description
Dimensions	Height: 9.9 cm (3.9 in.) Width: 9.8 cm (3.86 in.) Depth: 13.3 cm (5.24 in.)
Weight	378 g (13.3 oz.)
Input Voltage	12 VDC
Power Consumption	up to 48 watts
Operating Temperature	0°C to 40°C (32°F to 104°F)
Storage Temperature	-40°C to 70°C (-40°F to 158°F)
Charging Temperature	0°C to 40°C (32°F to 104°F)
Humidity	5% to 95% non-condensing
Drop	76.2 cm (30.0 in.) drops to vinyl tiled concrete at room temperature.
Electrostatic Discharge (ESD)	+/- 20kV air +/- 10 kV contact +/- 10 kV indirect discharge

## TC7X Cradle

**Table 3** TC7X Cradle Technical Specifications

Item	Description
Dimensions	Height: 20.7 cm (7.9 in.) Width: 9.8 cm (3.86 in.) Depth: 13.3 cm (5.24 in.)
Weight	451 g (15.9 oz.)
Input Voltage	12 VDC
Power Consumption	up to 48 watts
Operating Temperature	0°C to 40°C (32°F to 104°F)
Storage Temperature	-40°C to 70°C (-40°F to 158°F)
Charging Temperature	0°C to 40°C (32°F to 104°F)

**Table 3** TC7X Cradle Technical Specifications (Continued)

Item	Description
Humidity	5% to 95% non-condensing
Drop	76.2 cm (30.0 in.) drops to vinyl tiled concrete at room temperature.
Electrostatic Discharge (ESD)	+/- 20kV air +/- 10 kV contact +/- 10 kV indirect discharge

