

Item Number _____

RAM-VBD-128 & RAM-VBD-128-SW1

RAM Drill Seat Bases

RAM Mounting Systems

Vehicle base for the UNIVERSAL (ALL VEHICLES)

SPECIFICATIONS

Placement

Flat surface/floor

Drilling Required

Yes

Seat Configuration

Bucket/Bench

Construction/Finish

Steel/Black Powdercoat

Dimensions

A = 8", B = 8", C = 13"

Pole or Pedestal

Included

Weight

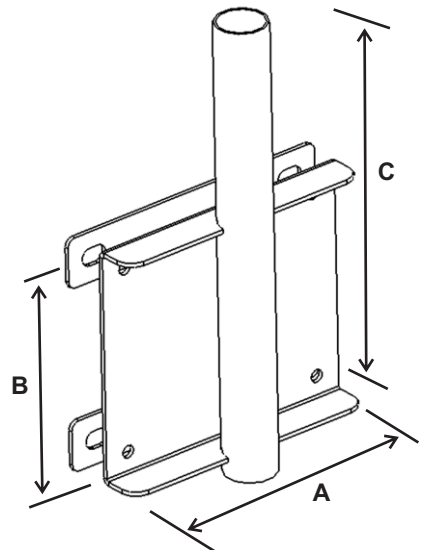
3.6 lbs.

Features

- Universal base for any vehicle with a vertical flat mounting surface
- Rugged Steel Construction
- Lifetime warranty



Complete Vehicle Mount
RAM-VBD-128-SW1



Vehicle Base
RAM-VBD-182



RMR-INS-VBD-128

Item Number _____

RAM-VBD-128 & RAM-VBD-128-SW1

RAM Drill Seat Bases

RAM Mounting Systems

Vehicle base for the UNIVERSAL (ALL VEHICLES)

INSTALLATION INSTRUCTIONS

1. Place base on vertical flat surface so that the pedestal is in the optimum location.
2. Mark the mounting hole locations. Please note that it might be necessary to shim a corner of the mounting base if the mounting surface is uneven.
3. Drill 17/32" holes in surface at all of the marked locations. Be extremely careful not to damage any equipment behind mounting surface when drilling.
4. Tighten base in place using bolts, washers, and nuts. If floor is less than 1/4" thick, please use fender washers on the back of mounting surface to help distribute the weight.



RMR-INS-VBD-128