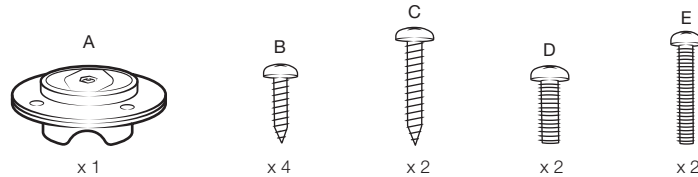
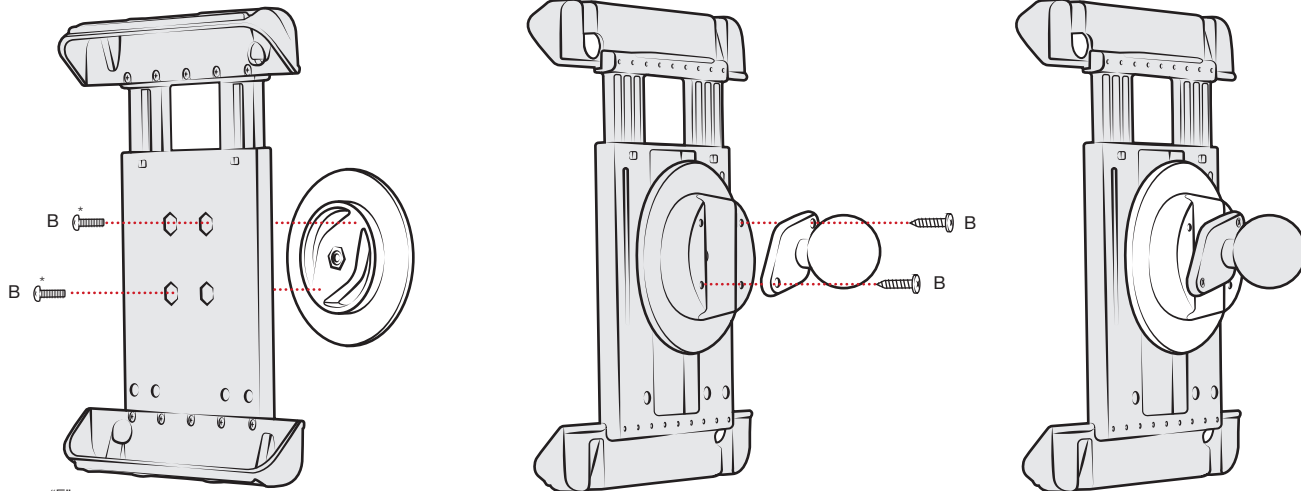


Parts Index

Not to scale



Attaching RAM® Roto-View™ to RAM® Tab-Tite™

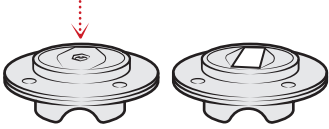


*Use screws "E" for RAM® Tab-Lock™

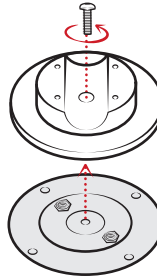
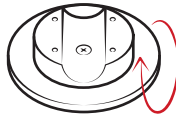
RMR-INS-ROTO1

Attaching RAM® Roto-View™ to RAM® X-Grip®

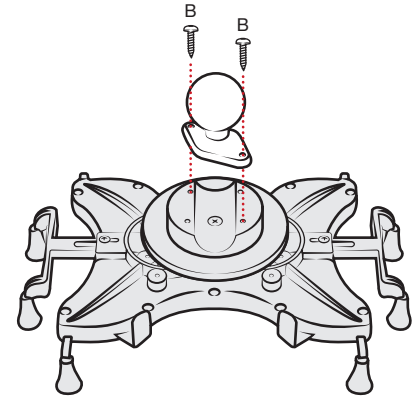
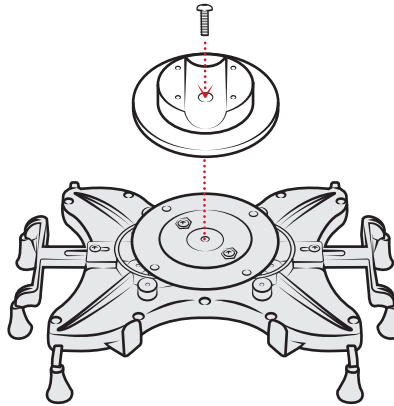
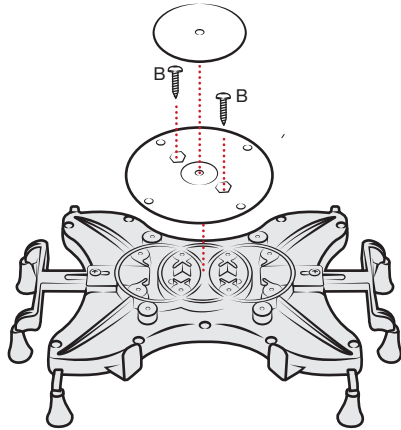
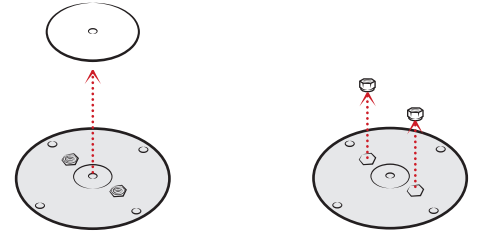
Apply a piece of tape to hold the nut in place



Flip upside down and disassemble



RMR-INS-ROTO1



Safety Precaution

Do not install this product near or over an airbag deployment area or in a location that obstructs the driver's vision or interferes with vehicle operation. National Products, Inc does not assume responsibility or liability for any such personal injury, death or property damage.