

**Item Number** \_\_\_\_\_

RAM-VB-138ST1 & RAM-VB-138ST1-SW1

# RAM No-Drill™ Seat Bases

RAM Mounting Systems

## Vehicle base for the TOYOTA FJ CRUISER (2006-2014)

### SPECIFICATIONS

**Placement**

Passenger side on the floor, under front seat

**Drilling Required**

No - uses existing seat bolts

**Seat Configuration**

Bucket

**Construction/Finish**

Steel/Black Powdercoat

**Dimensions**

A = 17.125", B = 6.5", C = 5"

Hole Centers = 15.875"

**Pole or Pedestal**

Sold Separately

**Weight**

7.0 lbs.

### Features

Installs in minutes with no drilling required  
Low profile keeps mount away from passenger leg space

### Notes

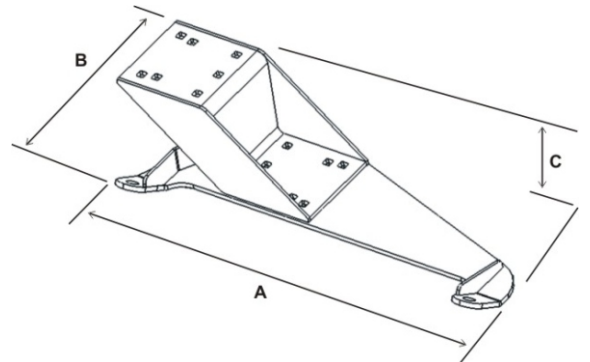
The RAM-VB-138ST1 will not fit BENCH SEAT MODEL TRUCKS

**RAM Mounting Systems**

8410 Dallas Ave S  
Seattle, WA 98108  
Phone: (206) 763-8361  
Fax: (206) 763-9615  
www.rammount.com  
support@rammount.com



Complete Vehicle Mount  
RAM-VB-138ST1-SW1



Vehicle Base  
RAM-VB-138ST1



RMR-INS-VB-138ST1

**Item Number** \_\_\_\_\_

RAM-VB-138ST1 & RAM-VB-138ST1-SW1

**RAM No-Drill™ Seat Bases**

RAM Mounting Systems

**Vehicle base for the  
TOYOTA FJ CRUISER (2006-2014)**

**INSTALLATION INSTRUCTIONS**

1. Attaching the fixed Adjust-A-Pole™ to the No-Drill™ base should be done prior to attaching the base to the vehicle. For a finished look, assemble so the rounded heads of the carriage bolts are on top.
2. Move the passenger seat back to its rearmost position and remove the front seat rail bolts using a 14mm socket wrench. Save and store these bolts should the mount be later removed.
3. Using the provided hardware, place the washers over the longer bolts, pass the bolts through the No-Drill™ base, next through the round stand-offs, and align over the threaded holes in the floor board.
4. Start bolts by hand to insure that the bolts do not cross thread
5. Using a 17mm socket wrench, fully tighten the bolts to secure the base.
6. After a day of use, re-tighten the seat bolts holding the mount.

**RAM Mounting Systems**  
8410 Dallas Ave S  
Seattle, WA 98108  
Phone: (206) 763-8361  
Fax: (206) 763-9615  
www.rammount.com  
support@rammount.com



RMR-INS-VB-138ST1