

Item Number
RAM-VB-137ST1

RAM No-Drill™ Seat Bases

RAM Mounting Systems

**Vehicle base for the
TOYOTA TUNDRA (2000-2006)**

SPECIFICATIONS

Placement

Passenger side on the floor, under front seat

Drilling Required

No - uses existing seat bolts

Seat Configuration

Bucket

Pole or Pedestal

Sold Separately

Construction/Finish

Steel/Black Powdercoat

Weight

9.6 lbs.

Dimensions

A = 18.125", B = 9.375", C = 5.375"

Hole Centers = 17"

Features

Installs in minutes with no drilling required
Low profile keeps mount away from passenger leg space

Misc.

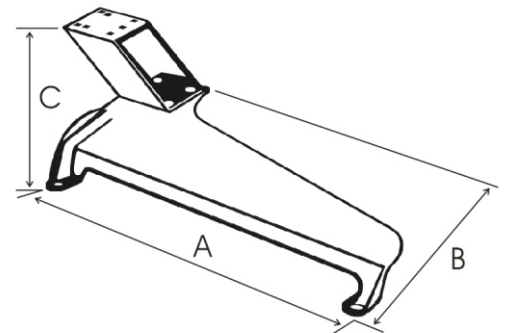
Rock solid construction
Lifetime warranty

* Note that this base is best used for bucket seats.

RAM Mounting Systems
8410 Dallas Ave S
Seattle, WA 98108
Phone: (206) 763-8361
Fax: (206) 763-9615
www.rammount.com
support@rammount.com



Shown with optional riser



RAM-VB-137ST1



RMR-INS-VB-137ST1

Item Number
RAM-VB-137ST1

RAM No-Drill™ Seat Bases

RAM Mounting Systems

**Vehicle base for the
TOYOTA TUNDRA (2000-2006)**

INSTALLATION INSTRUCTIONS

1. If using a riser, it should be attached to the No-Drill™ base prior to attaching the base to the vehicle. For a finished look, assemble so the rounded heads of the carriage bolts are on top. A riser is not necessary for most applications.
2. Move the passenger seat back to its rearmost position and remove the front seat rail bolts using a 14mm socket wrench. Save and store these bolts should the mount be later removed.
3. Using the provided hardware, place the washers over the longer bolts, pass the bolts through the No-Drill™ base, next through the round stand-offs, and align over the threaded holes in the floor board.
4. Start bolts by hand to insure that the bolts do not cross thread
5. Using a 17mm socket wrench, fully tighten the bolts to secure the base.
6. After a day of use, re-tighten the seat bolts holding the mount in place.

RAM Mounting Systems
8410 Dallas Ave S
Seattle, WA 98108
Phone: (206) 763-8361
Fax: (206) 763-9615
www.rammount.com
support@rammount.com



RMR-INS-VB-137ST1