

Item Number
RAM-VB-158

RAM No-Drill™ Seat Bases

RAM Mounting Systems

**Vehicle base for the
JEEP WRANGLER (1997-2006)**

SPECIFICATIONS

Placement

Passenger side on the floor, where seat frame meets the floor board.

Drilling Required

No - uses existing seat bolts

Seat Configuration

Bucket

Construction/Finish

Steel/Black Powdercoat

Pole or Pedestal

Purchased Separately

Weight

3.8 lbs.

Dimensions

A = 11.875", B = 8.25", C = 14.375"
Hole Center = 10.625"

Features

Installs in minutes with no drilling required
Won't interfere with passenger leg space

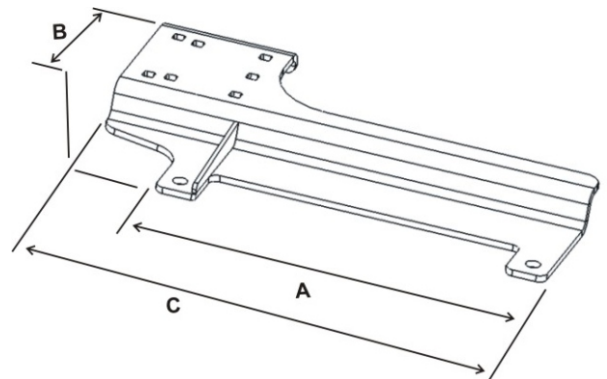
Misc.

Rock solid construction
Lifetime warranty

RAM Mounting Systems
8410 Dallas Ave S
Seattle, WA 98108
Phone: (206) 763-8361
Fax: (206) 763-9615
www.rammount.com
support@rammount.com



Shown In Use



RAM-VB-158



RMR-INS-VB-158

Item Number
RAM-VB-158

RAM No-Drill™ Seat Bases

RAM Mounting Systems

**Vehicle base for the
JEEP WRANGLER (1997-2006)**

INSTALLATION INSTRUCTIONS

1. Move seat to its rear most position.
2. Using a wrench, loosen and remove the two front seat leg bolts holding the seat frame to the floor board.
3. Place the no drill base over the seat frame legs and align the holes.
4. Replace the seat leg bolts starting the thread by hand so as not to cross thread the bolts.
5. Using a wrench, fully tighten the seat leg bolts.

After a week of road use or a day of off road use, check seat leg bolts and re-tighten if necessary.

RAM Mounting Systems
8410 Dallas Ave S
Seattle, WA 98108
Phone: (206) 763-8361
Fax: (206) 763-9615
www.rammount.com
support@rammount.com



RMR-INS-VB-158