

Item Number
RAM-VB-139

RAM No-Drill™ Seat Bases

RAM Mounting Systems

Vehicle base for the HONDA ACCORD (2004-2007)

SPECIFICATIONS

Placement

Passenger side, front, where seat rail frame attaches to floor board.

Drilling Required

No - uses existing seat bolts
Honda Accord (2004-Newer)

Seat Configuration

Bucket

Construction/Finish

Steel/Black Powdercoat

Dimensions

A = 16.875", B = 8.125", C = 1.625"
Hole Centers = 14.75"

Pole or Pedestal

Sold Separately

Weight

5 lbs.

Features

Installs in minutes with no drilling required
Low profile keeps mount away from passenger leg space

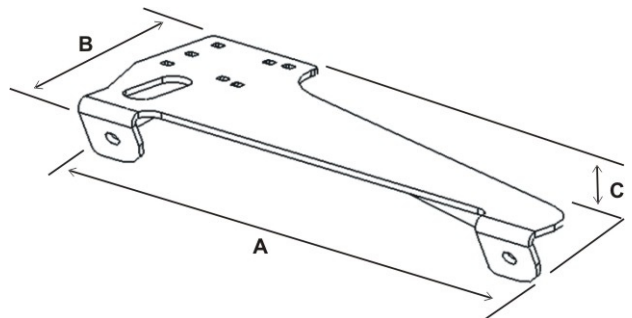
Misc.

Rock solid construction

Lifetime warranty



Shown In Use



RAM-VB-139

RAM Mounting Systems
8410 Dallas Ave S
Seattle, WA 98108
Phone: (206) 763-8361
Fax: (206) 763-9615
www.rammount.com
support@rammount.com



RMR-INS-VB-139

Item Number
RAM-VB-139

RAM No-Drill™ Seat Bases

RAM Mounting Systems

**Vehicle base for the
HONDA ACCORD (2004-2007)**

INSTALLATION INSTRUCTIONS

1. Move the passenger seat back to its rearmost position and remove the front seat rail bolts. Store these bolts.
2. Align the holes in the base and seat frame legs with those in the floor board. The pedestal platform should be near the console.
3. Pass the supplied longer bolts with washers through to the holes, into the floor board, and start the thread by hand.
4. Using a socket wrench, fully tighten the bolts to secure the no drill base into the vehicle.
5. After a week of use, check seat bolts and re-tighten if necessary.

RAM Mounting Systems
8410 Dallas Ave S
Seattle, WA 98108
Phone: (206) 763-8361
Fax: (206) 763-9615
www.rammount.com
support@rammount.com



RMR-INS-VB-139