

**Item Number** \_\_\_\_\_

RAM-VB-138 & RAM-VB-138-SW1

# RAM No-Drill™ Seat Bases

RAM Mounting Systems

**Vehicle base for the  
TOYOTA 4RUNNER (2005-2014)  
TOYOTA TACOMA (2005-2014)**

## SPECIFICATIONS

**Placement**

Passenger side on the floor, under front seat

**Drilling Required**

No - uses existing seat bolts

**Seat Configuration**

Bucket

**Pole or Pedestal**

Sold Separately

**Construction/Finish**

Steel/Black Powdercoat

**Weight**

7 lbs.

**Dimensions**

A = 17.125", B = 6.5", C = 5"

Hole Centers = 15.875"

## Features

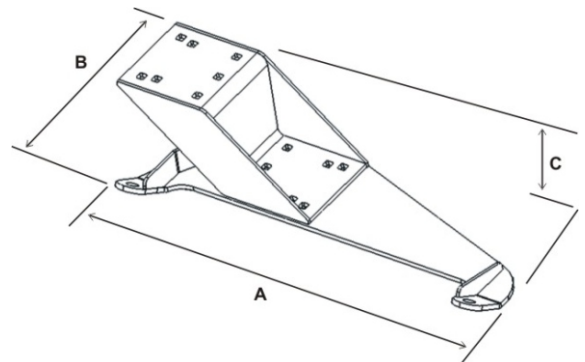
Installs in minutes with no drilling required  
Low profile keeps mount away from passenger leg space

## Notes

The RAM-VB-138 will not fit BENCH SEAT MODEL TRUCKS



Product Number:  
RAM-VB-138-SW1



Product Number:  
RAM-VB-138

**RAM Mounting Systems**  
8410 Dallas Ave S  
Seattle, WA 98108  
Phone: (206) 763-8361  
Fax: (206) 763-9615  
www.rammount.com  
support@rammount.com



RMR-INS-VB-138

**Item Number** \_\_\_\_\_

RAM-VB-138 & RAM-VB-138-SW1

**RAM No-Drill™ Seat Bases**  
RAM Mounting Systems

**Vehicle base for the**  
**TOYOTA 4RUNNER (2005-2014)**  
**TOYOTA TACOMA (2005-2014)**

**INSTALLATION INSTRUCTIONS**

1. Move the passenger seat back to its rearmost position and remove the front seat rail bolts on the passenger side.
2. Without moving the seat, place the No-Drill™ base over the front of the seat frame legs.
3. Align the holes in the base with those of the seat frame legs. The pedestal platform should be near the console.
4. Re-install the seat bolts and fully tighten.



Photo of base installed into 2014 Tacoma crew cab.

**RAM Mounting Systems**  
8410 Dallas Ave S  
Seattle, WA 98108  
Phone: (206) 763-8361  
Fax: (206) 763-9615  
www.rammount.com  
support@rammount.com



RMR-INS-VB-138