

Item Number _____

RAM-VB-114 & RAM-VB-114-SW1

RAM No-Drill™ Seat Bases

RAM Mounting Systems

**Vehicle base for the
CHEVROLET TRAILBLAZER (2002-2011)
GMC ENVOY (2002-2011)**

SPECIFICATIONS

Placement

Passenger side floor board, under seat

Seat Configuration

Bucket

Construction/Finish

Steel/Black Powdercoat

Dimensions

A = 5.5", B = 6.13", C = 18.75"

Hole Center = 14"

Pole or Pedestal

Purchased Separately

Weight

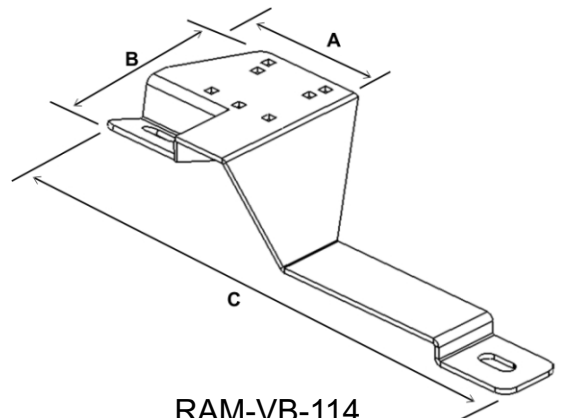
6 lbs.

Features

Installs in minutes with no drilling required
Base preserves passenger leg room



RAM-VB-114-SW1



RAM-VB-114

RAM Mounting Systems
8410 Dallas Ave S
Seattle, WA 98108
Phone: (206) 763-8361
Fax: (206) 763-9615
www.rammount.com
support@rammount.com



RMR-INS-VB-114

Item Number _____

RAM-VB-114 & RAM-VB-114-SW1

RAM No-Drill™ Seat Bases

RAM Mounting Systems

Vehicle base for the
CHEVROLET TRAILBLAZER (2002-2011)
GMC ENVOY (2002-2011)

INSTALLATION INSTRUCTIONS

1. Move the passenger seat back to its rearmost position and remove the front seat rail bolts on the passenger side.
2. Without moving the seat, place the No-Drill™ base over the front of the seat frame legs.
3. Align the holes in the base with those of the seat frame legs. The pedestal platform should be near the console.
4. Re-install the seat bolts and fully tighten.

RAM Mounting Systems
8410 Dallas Ave S
Seattle, WA 98108
Phone: (206) 763-8361
Fax: (206) 763-9615
www.rammount.com
support@rammount.com



RMR-INS-VB-114