

Specifications

Placement

Passenger side on the floor, in front seat

Seat Configuration

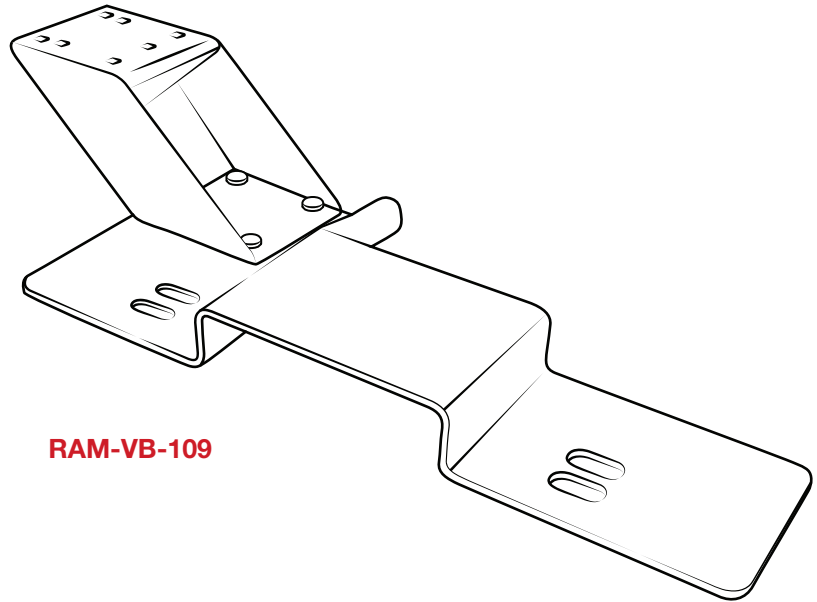
Bucket/Bench

Drilling Required

None - uses existing seat bolts

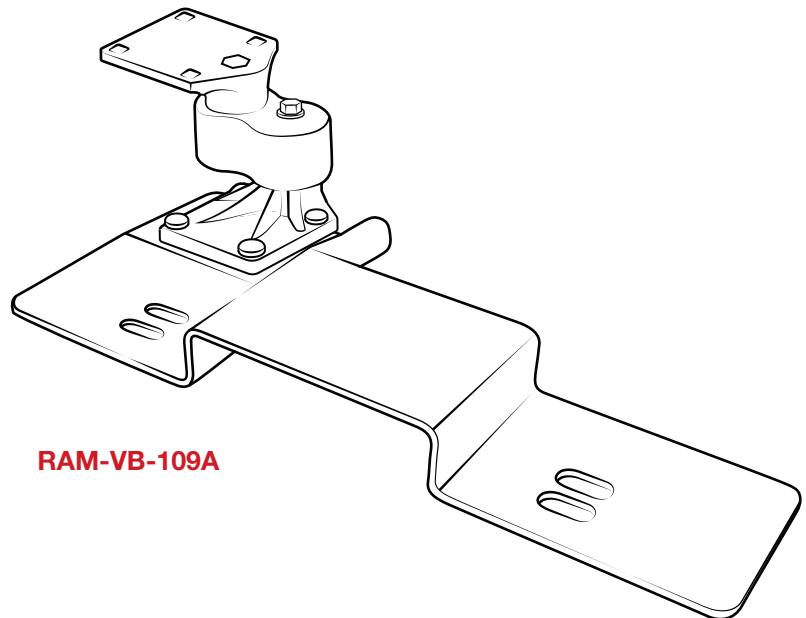
Construction/Finish

Steel/Black powder coat



Important Note

If you are installing this product into a 2009-2012 F-150 with the slide out cup holder, the RAM-VB-109A is the preferred kit. The standard RAM-VB-109 kit will install but will limit the use of the cup holder. To use the RAM-VB-109 while maintaining use of the slide out cup holder, pull the cup holder all the way out prior to installation. Once installed, the cup holder will not be able to slide back under the center console. The RAM-VB-109A features an adjustable riser that can be positioned so the cup holder is not interfered with. For base model trucks without the slide out cup holder, the standard RAM-VB-109 kit is ideal.



RMR-INS-VB-109



Safety Precaution

Do not install this product near or over an airbag deployment area or in a location that obstructs the driver's vision or interferes with vehicle operation. National Products, Inc does not assume responsibility or liability for any such personal injury, death or property damage.

Installation Instructions

Tools required for installation of RAM® No-Drill™ base are a 15mm socket and socket wrench, ½" box end wrench.

Note: It is recommended that you attach the riser to the RAM® No-Drill™ base prior to installation. Use the provided hardware and your ½" box end wrench to fully tighten the hardware joining these two parts. Insert the carriage bolts from the top so that the rounded head is up and the nuts are on the bottom.

- 1 Move the passenger seat back to its rearmost position and remove the front seat leg bolts on the passenger side using the 15mm socket.
- 2 Move the passenger seat to its most forward position and only loosen the two rear seat leg bolts.
- 3 Now, move the passenger side seat all the way back again and gently raise the front seat legs off the floor board.
- 4 Place the RAM® No-Drill™ base between the seat frame legs and floor board.
- 5 For trucks 2008 and earlier, use the set of holes closest to the front of the base. For 2009 and newer models, use rear set of mounting holes.
- 6 Align the holes in the base with those of the seat frame legs. The pedestal platform should be near the console.
- 7 Lower the seat down over the base, check alignment of the holes, and re-install the front seat bolts starting the thread by hand. Fully tighten and torque all 4 seat bolts previously loosened or removed to 30 ft lbs.

RMR-INS-VB-109



Safety Precaution

Do not install this product near or over an airbag deployment area or in a location that obstructs the driver's vision or interferes with vehicle operation. National Products, Inc does not assume responsibility or liability for any such personal injury, death or property damage.