

Item Number _____

RAM-VB-101 & RAM-VB-101-SW1

RAM No-Drill™ Seat Bases

RAM Mounting Systems

Vehicle base for the

CHEVROLET S-10 4x4 only (1995-2004)

CHEVROLET S-10 BLAZER (1995-2001)

GMC JIMMY (1995-2001)

GMC SONOMA (1995-2004)

SPECIFICATIONS

Placement

Passenger side floor board, in front of seat
Between seat frame and floor board

Drilling Required

None - uses existing seat bolts

Seat Configuration

Bucket/Bench

Construction/Finish

Steel/Black Powdercoat

Dimensions

A = 16", B = 6.75", C = 3.75", D = 7.75"

Hole Center = 13.13"

Pole or Pedestal

Sold Separately

Weight

10.7 lbs.

Features

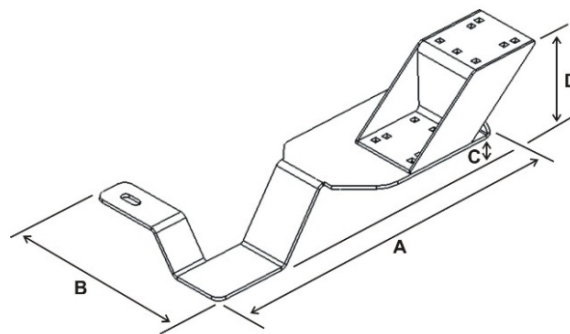
One 4" riser is included with this vehicle base. Riser allows optimized placement of mount with a minimal amount of intrusion of passenger leg space.

RAM Mounting Systems

8410 Dallas Ave S
Seattle, WA 98108
Phone: (206) 763-8361
Fax: (206) 763-9615
www.rammount.com
support@rammount.com



Complete Vehicle Mount
RAM-VB-101-SW1



RAM-VB-101, SHOWN WITH
RAM-VB-SB4 RISER (INCLUDED)



RMR-INS-VB-101

Item Number _____

RAM-VB-101 & RAM-VB-101-SW1

RAM No-Drill™ Seat Bases

RAM Mounting Systems

Vehicle base for the

CHEVROLET S-10 4x4 only (1995-2004)

CHEVROLET S-10 BLAZER (1995-2001)

GMC JIMMY (1995-2001)

GMC SONOMA (1995-2004)

INSTALLATION INSTRUCTIONS

1. Attach the RAM-VB-SB4 riser with 5/16" carriage bolts, flat washer, lock washers, and nuts.
2. Remove the two front seat bolts that connect the passenger seat to the floor. These may be under plastic caps.
3. Tilt the front of the passenger seat upward to clear the studs and slide the No-Drill™ base under the seat until the slots in the base line up with the seat bolt studs.
4. Lower the seat back down into position.
5. Install the two front seat nuts and fully tighten.

RAM Mounting Systems
8410 Dallas Ave S
Seattle, WA 98108
Phone: (206) 763-8361
Fax: (206) 763-9615
www.rammount.com
support@rammount.com



RMR-INS-VB-101