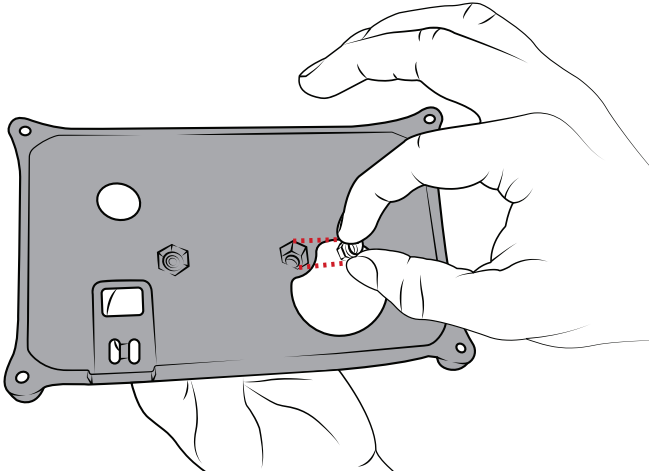
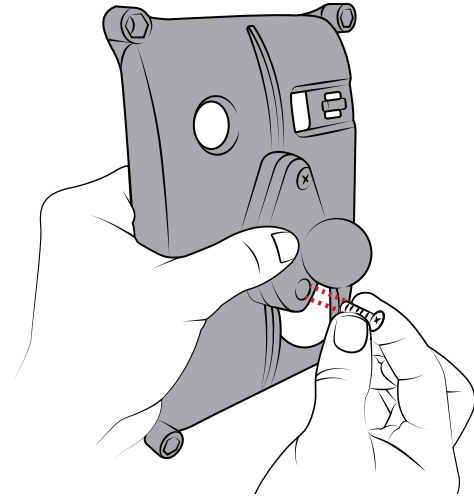


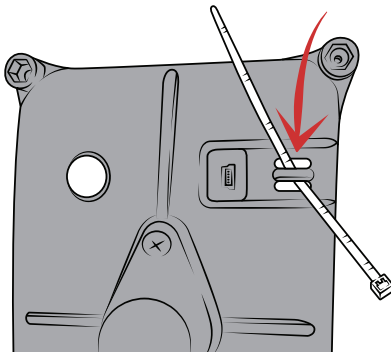
- 1 Place the two larger nuts in the nut pocket inside the cradle, nylon side facing up.



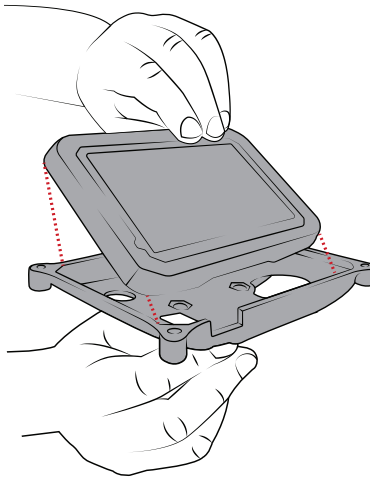
- 2 Attach diamond ball adapter (not included) using the correct length bolts included in the hardware packet.



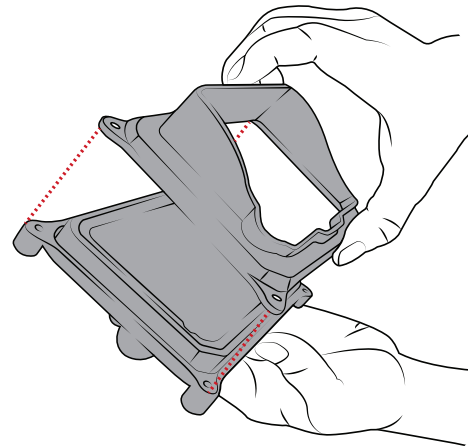
- 3 (Optional) Insert the strain relief zip tie through the bottom right corner of the cradle.



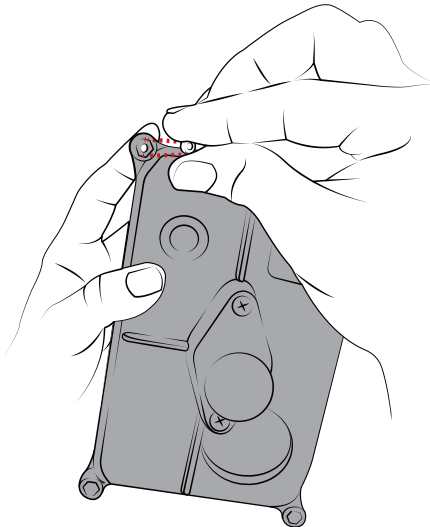
- 4 Insert the GPS into the cradle, ensuring proper alignment to the power port and speaker.



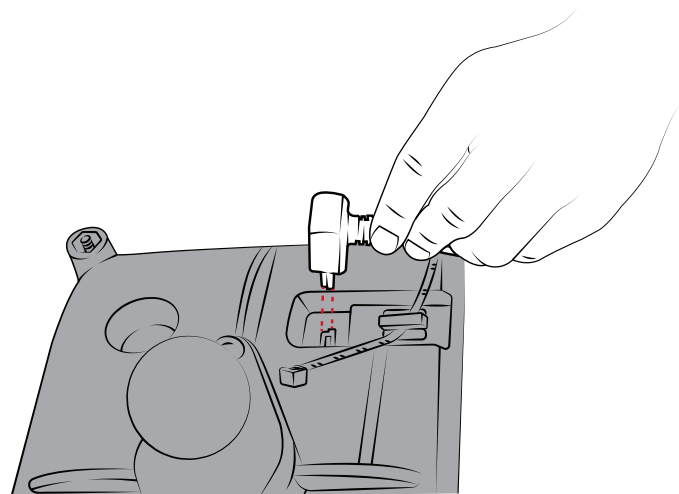
- 5 Place the top frame over the GPS and cradle with the visor side on the top.



- 6 Secure all four corners of the cradle assembly using the smaller screws and nuts.



- 7 Attach the USB cable to the GPS, wrap the optional zip tie securely around the cable and clip off the excess zip tie tail.



RMR-INS-GA71L