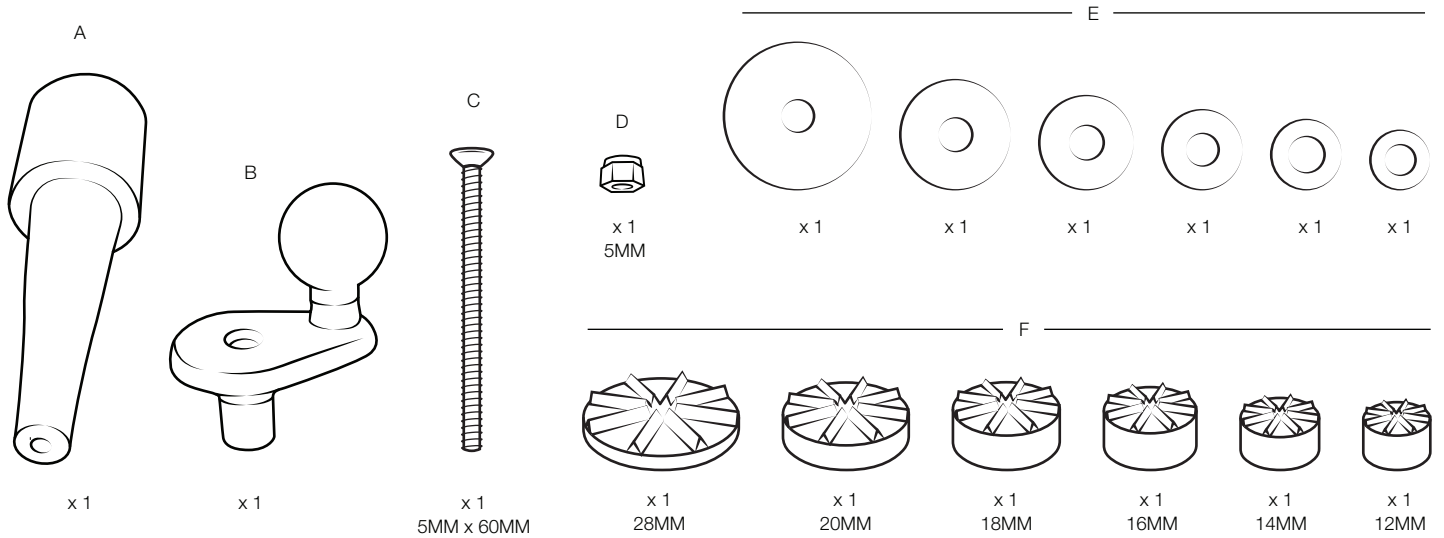


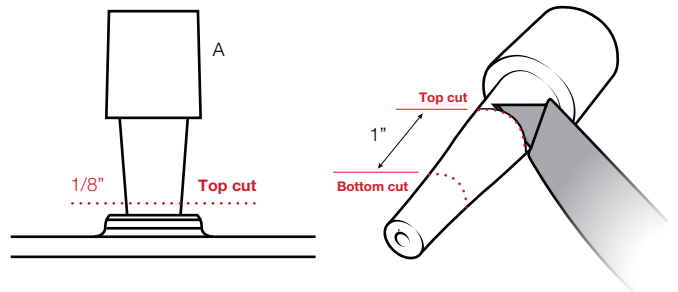
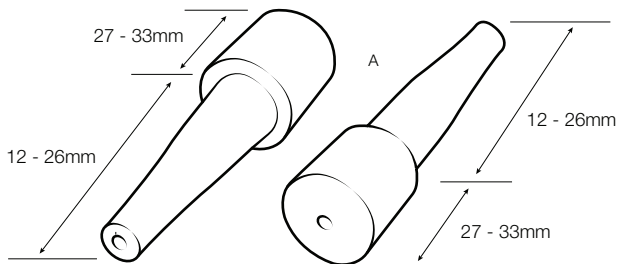
## Parts Index

\* not to scale

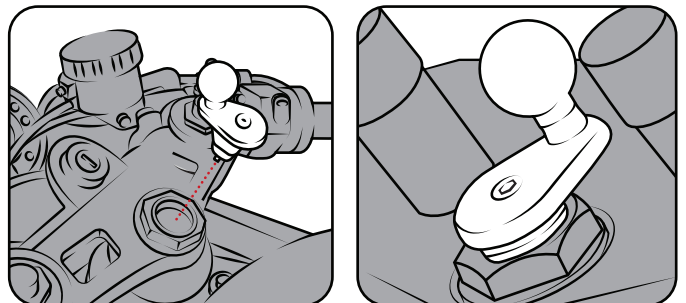
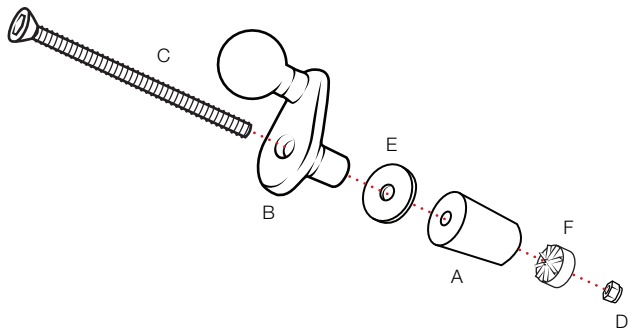


For a video demonstration of this install please visit [rammount.com/instructions](http://rammount.com/instructions)

- 1 Measure inside diameter of fork stem to determine which side of the (A) expansion plug your install requires.
- 2 Gently insert (A) expansion plug into stem hole and mark approximately 1/8" above the opening. Remove plug and cut marked line. Measure 1" below the top cut and cut along that line as well.



- 3 Assemble components as shown before using appropriate (E) Washer and (F) Nut Pocket Washer. Diameter of selected (E) Washer must not be wider than diameter of the top cut of (A) Expansion Plug. Tighten assembly until (F) Nut Pocket Washer has a firm grip on (A) Expansion Plug.
- 4 Insert assembly into fork stem hole until ball plate is flush with your bike. Tighten (C) Screw using a 3mm allen wrench. Periodically check the friction of the assembly to ensure it is tightening properly. If your assembly is not tightening, the (F) Nut Pocket Washer may not be gripping on the expansion plug. Remove assembly from hole and pre-tighten further, then repeat.



RMR-INS-B-342