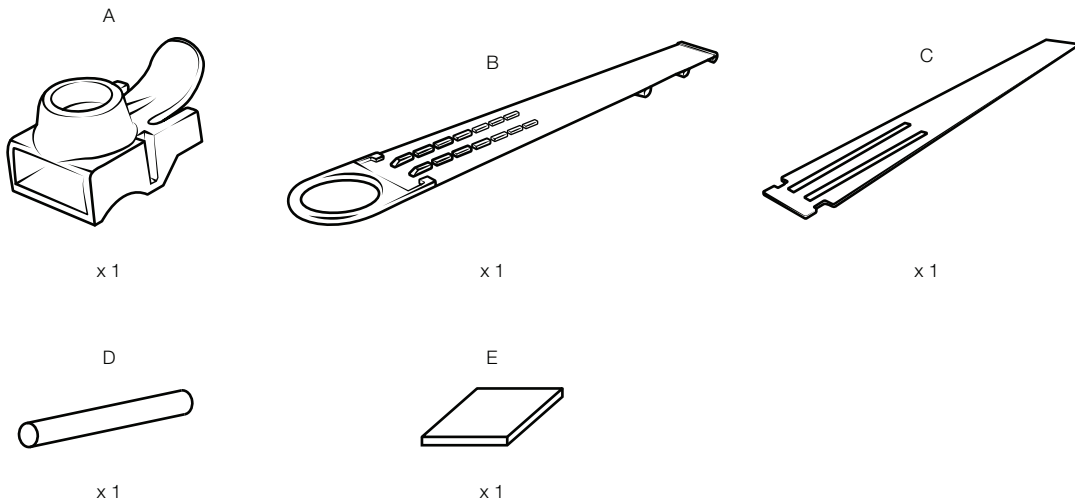
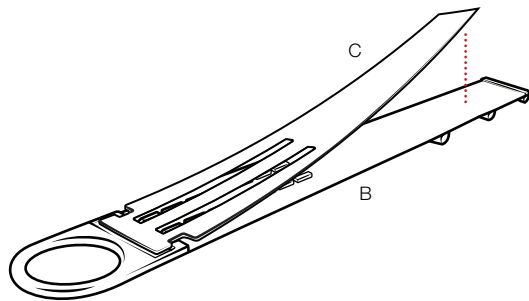


# Parts Index

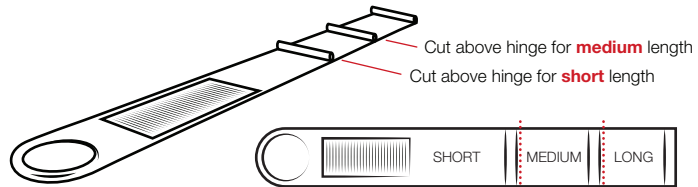
\* not to scale



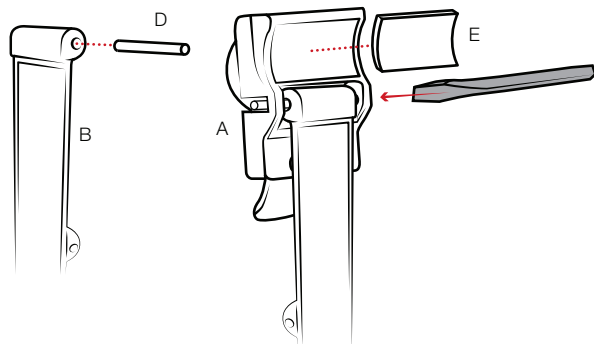
1 Attach (C) adhesive rubber pad to (B) strap.



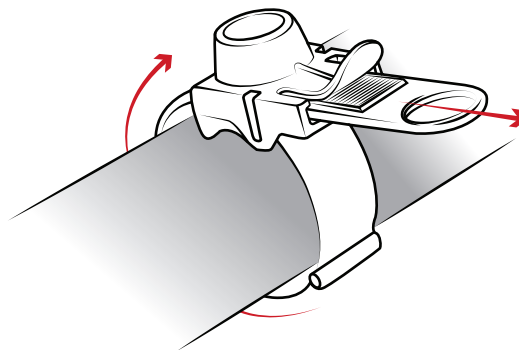
2 Cut out measuring strip shown on the right. Wrap the strip around area where RAM® EZ-Strap™ is to be attached until the "ALIGN EDGE WITH ZONE" end aligns with one of the "Short, Medium, or Long" segments to determine appropriate strap length. Once correct segment is determined, use scissors to cut only along one of the shown reference lines "....." just past the corresponding groove.



3 With (C) adhesive pad facing up, insert (D) pin half way inside hinge of (B) strap. Insert (B) strap with protruding (D) pin into the backside right slot of (A) base. While pressing (B) strap firm against (A) base, press pin through the left slot using a flat head screwdriver. Adhere (E) adhesive pad.



4 Place RAM® EZ-Strap™ on surface and feed the strap through (A) base until strap clicks into base. Hold the RAM® EZ-Strap™ in place as you pull the strap to tighten.



8.164"



LONG ZONE

MEDIUM ZONE

SHORT ZONE

ALIGN EDGE WITH ZONE