

Item Number
RAM-VB-116A

RAM No-Drill™ Seat Bases

RAM Mounting Systems

Vehicle base for the CHEVROLET COLORADO CREW CAB (2004-2011) GMC CANYON CREW CAB (2004-2011)

SPECIFICATIONS

Placement

Passenger side on the floor, in front of seat where seat frame legs meet the floor board.

Drilling Required

No - uses existing seat bolt holes.

Pole or Pedestal

Ordered Separately

Seat Configuration

Bucket/Bench

Weight

8.9 lbs.

Construction/Finish

Steel/Black Powdercoat

Dimensions

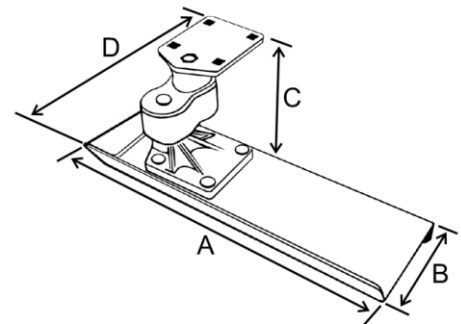
A = 14", B = 4.75", C = 5.5", D = 8.5"
Hole Center = 11.75"

Tools required for base installation

18mm & 19mm box end wrenchs, 18mm socket, 19mm socket, and socket wrench for base installation. Tools for complete system assembly: pliers, phillips screw driver, #10, 1/2", 9/16" box end wrench's.



Complete system
RAM-VB-116A-SW1



RAM-VB-116, SHOWN WITH
RAM-VB-SB4 RISER. RAM-116A
INCLUDES ADJUSTABLE RISER.

Features

Installs in minutes with no drilling required
Adjustable riser moves pole away from passenger leg space
Won't interfere with levers or factory-installed console or 4WD lever

Important Note

For crew cab models, the longer seat bolts and stand offs are needed for the base to clear the under seat air duct on the passenger side of the vehicle. This extra hardware is not needed for the regular cab or extended cab models.

RAM Mounting Systems
8410 Dallas Ave S
Seattle, WA 98108
Phone: (206) 763-8361
Fax: (206) 763-9615
www.rammount.com
support@rammount.com



RMR-INS-VB-116A

Item Number
RAM-VB-116A

RAM No-Drill™ Seat Bases

RAM Mounting Systems

Vehicle base for the **CHEVROLET COLORADO CREW CAB (2004-2011)** **GMC CANYON CREW CAB (2004-2011)**

INSTALLATION INSTRUCTIONS

Tools required for installation are an 18mm socket, 19mm socket, 18mm box end wrench, and 2 qty ½" box end wrench.

Crew cab instructions:

1. Attach the adjustable riser to base with the provided carriage bolts, washers, and nuts. Use the ½" box end wrench to fully tighten riser to base.
2. Move the passenger seat to the rearmost setting.
3. Remove the front seat rail bolts that fasten the passenger seat brackets to the vehicle floor using the 18mm socket.
4. Place the flat washers over the longer seat leg bolts provided in the kit.
5. Pass the bolts through the holes in the no drill base.
6. Place the stand off over the holes in the seat frame legs and floor board. These sit over the frame legs, not under them.
7. Place the base with bolt through the stand offs, through the seat frame legs, and start the thread by hand into the floorboard.
8. Once both bolts have been started by hand, use the 19mm socket wrench and fully tighten to 39 ft lbs.

Regular and extended cab instructions. Supplied stand offs & longer seat bolts not required:

1. Attach the adjustable riser to base with the provided carriage bolts, washers, and nuts. Use the ½" box end wrench to fully tighten the riser to the base.
2. Move the passenger seat to the rearmost setting.
3. Remove the front seat rail bolts that fasten the passenger seat brackets to the vehicle floor using the 18mm socket.
4. Pass the bolts you just removed through the holes in the no drill base.
5. Place the base with bolts over the seat frame legs, align the bolts with the holes, and start the thread by hand into the vehicle floor board.
6. Once both bolts have been started by hand, use the 18mm tools and fully tighten to 39 ft lbs.

RAM Mounting Systems
8410 Dallas Ave S
Seattle, WA 98108
Phone: (206) 763-8361
Fax: (206) 763-9615
www.rammount.com
support@rammount.com



RMR-INS-VB-116A