

Item Number _____

RAM-VB-154 & RAM-VB-154-SW1

RAM No-Drill™ Seat Bases

RAM Mounting Systems

Vehicle base for the
NISSAN PATHFINDER (2005-2012)
NISSAN XTERRA (2005-2015)
NISSAN FRONTIER (2005-2015)

SPECIFICATIONS

Placement

Passenger side, front, where seat rail frame attaches to floor board.

Drilling Required

No - uses existing mounting points.

Seat Configuration

Bucket

Construction/Finish

Steel/Black Powdercoat

Pole or Pedestal

Sold Separately

Weight

2.8 lbs.

Dimensions

A = 20.25", B = 7.25", C = 3.5"

Hole Center = 17.25"

Features

Installs in minutes with no drilling required
Low profile keeps mount away from passenger leg space

Misc.

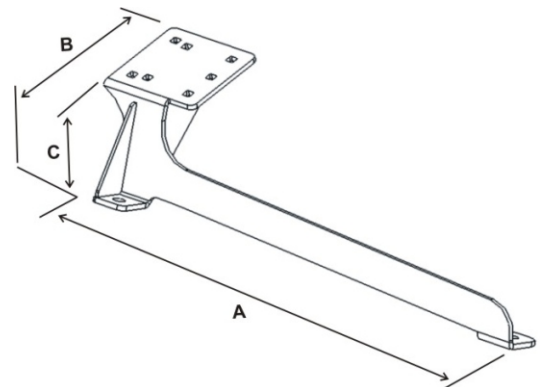
Rock solid construction
Lifetime warranty

RAM Mounting Systems

8410 Dallas Ave S
Seattle, WA 98108
Phone: (206) 763-8361
Fax: (206) 763-9615
www.rammount.com
support@rammount.com



RAM-VB-154-SW1



RAM-VB-154



RMR-INS-VB-154

Item Number _____

RAM-VB-154 & RAM-VB-154-SW1

RAM No-Drill™ Seat Bases
RAM Mounting Systems**Vehicle base for the**
NISSAN PATHFINDER (2005-2012)
NISSAN XTERRA (2005-2015)
NISSAN FRONTIER (2005-2015)**INSTALLATION INSTRUCTIONS**

Note that the door side seat leg bolt may be under a piece of plastic trim. This will need to be removed for installation. Save this cover so that when the base is removed, it can be replaced to achieve the factory look.

1. Move the passenger seat back to its rearmost position and remove the front seat leg bolts. Store these bolts.
2. Without moving the seat, place the No-Drill™ base over the front of the seat frame legs.
3. Align the holes in the metal base with those in the seat frame and floor board.
4. Re-install the inner factory seat leg bolt(closest to hump) and just start the thread by hand.
5. Place the stand off supplied in the kit over the door side seat leg bolt hole and position the no drill base over it.
6. Place the flat washer over the supplied longer bolt and thread by hand through the base, stand off, and into the floor.
7. With both bolts started by hand, use a socket wrench to fully tighten the mounting hardware and secure the base.

RAM Mounting Systems
8410 Dallas Ave S
Seattle, WA 98108
Phone: (206) 763-8361
Fax: (206) 763-9615
www.rammount.com
support@rammount.com



RMR-INS-VB-154