

**Item Number**  
RAM-VB-132

# RAM No-Drill™ Seat Bases

RAM Mounting Systems

## Vehicle base for the HONDA RIDGELINE (2006-2010)

### SPECIFICATIONS

#### Placement

Passenger side of vehicle, front, where seat frame attaches to the floor board.

#### Drilling Required

No - uses existing seat bolts

#### Seat Configuration

Bucket

#### Construction/Finish

Steel/Black Powdercoat

#### Dimensions

A = 18.5", B = 10", C = 2.375"  
Hole Centers = 16.875"

#### Pole or Pedestal

Sold Separately

#### Weight

4.8 lbs.

### Features

Installs in minutes with no drilling required  
Low profile keeps mount away from passenger leg space

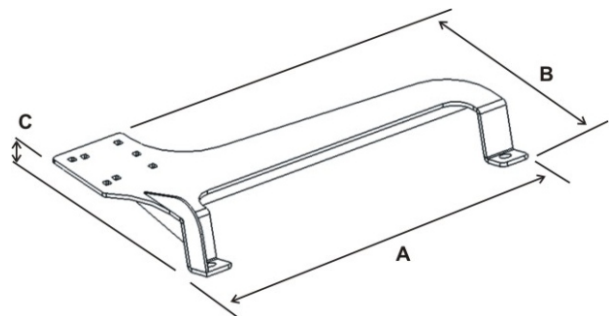
### Misc.

Rock solid construction

Lifetime warranty



Shown In Use



RAM-VB-132

**RAM Mounting Systems**  
8410 Dallas Ave S  
Seattle, WA 98108  
Phone: (206) 763-8361  
Fax: (206) 763-9615  
www.rammount.com  
support@rammount.com



RMR-INS-VB-132

**Item Number**  
RAM-VB-132

# RAM No-Drill™ Seat Bases

RAM Mounting Systems

**Vehicle base for the  
HONDA RIDGELINE (2006-2010)**

## INSTALLATION INSTRUCTIONS

1. Move the passenger seat back to its rearmost position and remove the front seat rail bolts on the passenger side.
2. Without moving the seat, place the No-Drill™ base over the front of the seat frame legs.
3. Align the holes in the base with those of the seat frame legs. The pedestal platform should be near the console.
4. Re-install the seat bolts and fully tighten.

**RAM Mounting Systems**  
8410 Dallas Ave S  
Seattle, WA 98108  
Phone: (206) 763-8361  
Fax: (206) 763-9615  
[www.rammount.com](http://www.rammount.com)  
[support@rammount.com](mailto:support@rammount.com)



RMR-INS-VB-132