

**Item Number**  
RAM-VB-127

# RAM No-Drill™ Seat Bases

RAM Mounting Systems

**Vehicle base for the**  
**DODGE RAM 1500 (1994-2001)**  
**DODGE RAM 2500/3500 (1994-2002)**

## SPECIFICATIONS

### Placement

Across Transmission hump

### Drilling Required

No - uses existing seat bolts

### Seat Configuration

Bucket/Bench

### Pole or Pedestal

Purchased Separately

### Construction/Finish

Steel/Black Powdercoat

### Weight

5.5 lbs.

### Dimensions

A = 26.31", B = 10", C = 4.5"

Hole Center = 23.75" and 24.25"

## Features

Installs in minutes with no drilling required

## Misc.

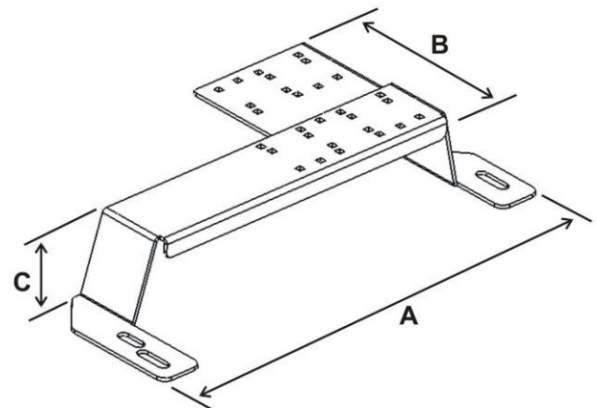
Rugged steel construction

Lifetime warranty

Drilling may be required for vehicles with a bench seat



Shown In Use



RAM-VB-127

### RAM Mounting Systems

8410 Dallas Ave S  
Seattle, WA 98108  
Phone: (206) 763-8361  
Fax: (206) 763-9615  
www.rammount.com  
support@rammount.com



RMR-INS-VB-127

**Item Number**  
RAM-VB-127

# RAM No-Drill™ Seat Bases

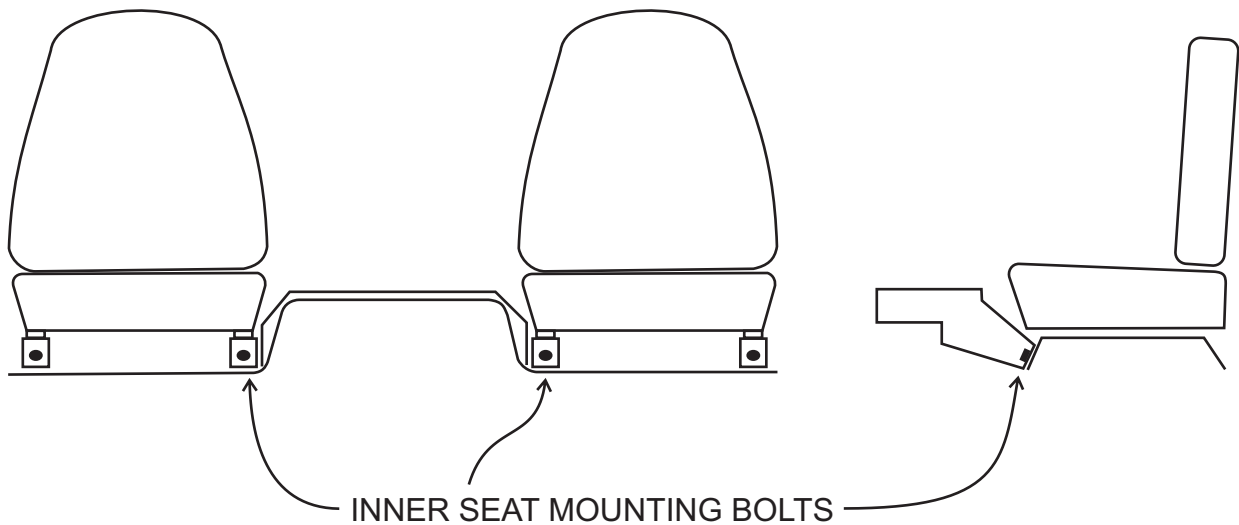
RAM Mounting Systems

**Vehicle base for the**  
**DODGE RAM 1500 (1994-2001)**  
**DODGE RAM 2500/3500 (1994-2002)**

## INSTALLATION INSTRUCTIONS

Before installation, attach extension plate to the bottom of the base with the provided hardware.

1. Place both front seats in their most rear position.
2. Remove the drivers side front right and the passenger side front left seat mounting bolts (inner seat bolts).
3. Slightly lift both the passenger and driver seats and slide the No-Drill™ base between the floor of the vehicle and the bottom of the seat.
4. Align the holes and reinstall all of the seat bolts that have been removed.



**RAM Mounting Systems**  
8410 Dallas Ave S  
Seattle, WA 98108  
Phone: (206) 763-8361  
Fax: (206) 763-9615  
www.rammount.com  
support@rammount.com



RMR-INS-VB-127