

Item Number
RAM-VB-118

RAM No-Drill™ Seat Bases

RAM Mounting Systems

**Vehicle base for the
JEEP CHEROKEE SE, CLASSIC, SPORT, LTD
(1998-2001)**

SPECIFICATIONS

Placement

Passenger side on the floor, in front of seat

Drilling Required

No - uses existing seat bolts

Seat Configuration

Bucket/Bench

Construction/Finish

Steel/Black Powdercoat

Pole or Pedestal

Ordered Separately

Dimensions

A = 17.57", B = 5.5", C = 11"
Hole Center = 6.38"

Weight

10.7 lbs.



Shown In Use

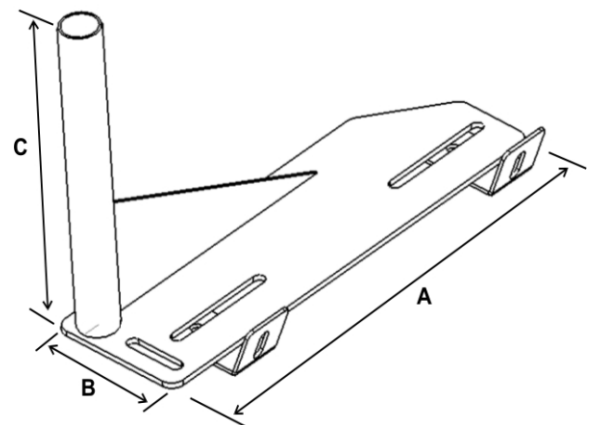
Features

Installs in minutes with no drilling required

Misc.

Rugged steel construction

Lifetime warranty



RAM-VB-118

RAM Mounting Systems
8410 Dallas Ave S
Seattle, WA 98108
Phone: (206) 763-8361
Fax: (206) 763-9615
www.rammount.com
support@rammount.com



RMR-INS-VB-118

Item Number
RAM-VB-118

RAM No-Drill™ Seat Bases

RAM Mounting Systems

**Vehicle base for the
JEEP CHEROKEE SE, CLASSIC, SPORT, LTD
(1998-2001)**

INSTALLATION INSTRUCTIONS

1. Remove the seat bolts that hold the passenger seat to the floor.
2. Loosely assemble legs to the base. Do not firmly tighten.
3. Place mounting base in front of the passenger seat. Align mounting legs to the seat bolt holes and tighten in place.
4. Gently lift the inside of the seat upward to allow the seat frame to clear the studs.
5. Place the base between the seat frame and align the holes in the base with the seat bolts.
6. Lower the seat back down over the no drill base and seat bolts.
7. Fully tighten factory hardware to secure base in place along with seat frame.

RAM Mounting Systems
8410 Dallas Ave S
Seattle, WA 98108
Phone: (206) 763-8361
Fax: (206) 763-9615
www.rammount.com
support@rammount.com



RMR-INS-VB-118