

Item Number
RAM-VB-115

RAM No-Drill™ Seat Bases

RAM Mounting Systems

Vehicle base for the

FORD TAURUS (1995-OLDER)
FORD TAURUS (1997 GL, SIX PASSENGER MODEL)
FORD TAURUS (1998-2006 LX, SE, SIX PASSENGER MODEL)
MERCURY SABLE (1998-2007)

SPECIFICATIONS

Placement

Across Transmission hump

Drilling Required

No - uses existing seat bolts

Seat Configuration

Bucket/Bench

Construction/Finish

Steel/Black Powdercoat

Pole or Pedestal

Purchased Separately

Dimensions

A = 11.75", B = 7.25", C = 3.4"
Hole Center = 13.5"

Weight

5.5 lbs.



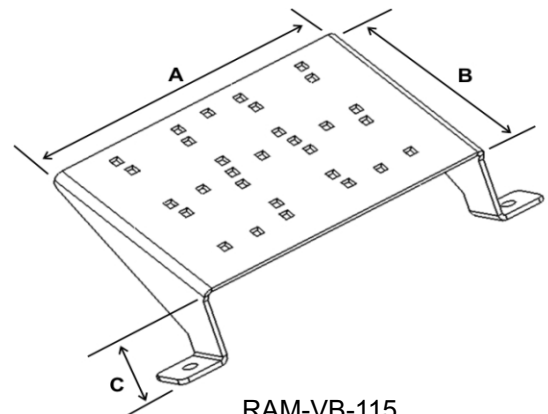
Shown In Use

Features

Installs in minutes with no drilling required
Angled step moves pole away from passenger leg space

Note.

The RAM-VB-115 base will not fit into Ford Taurus or Mercury Sable vehicles that contain a factory-installed console or 4WD lever.



RAM-VB-115

RAM Mounting Systems
8410 Dallas Ave S
Seattle, WA 98108
Phone: (206) 763-8361
Fax: (206) 763-9615
www.rammount.com
support@rammount.com



RMR-INS-VB-115

Item Number
RAM-VB-115

RAM No-Drill™ Seat Bases

RAM Mounting Systems

Vehicle base for the

FORD TAURUS (1995-OLDER)

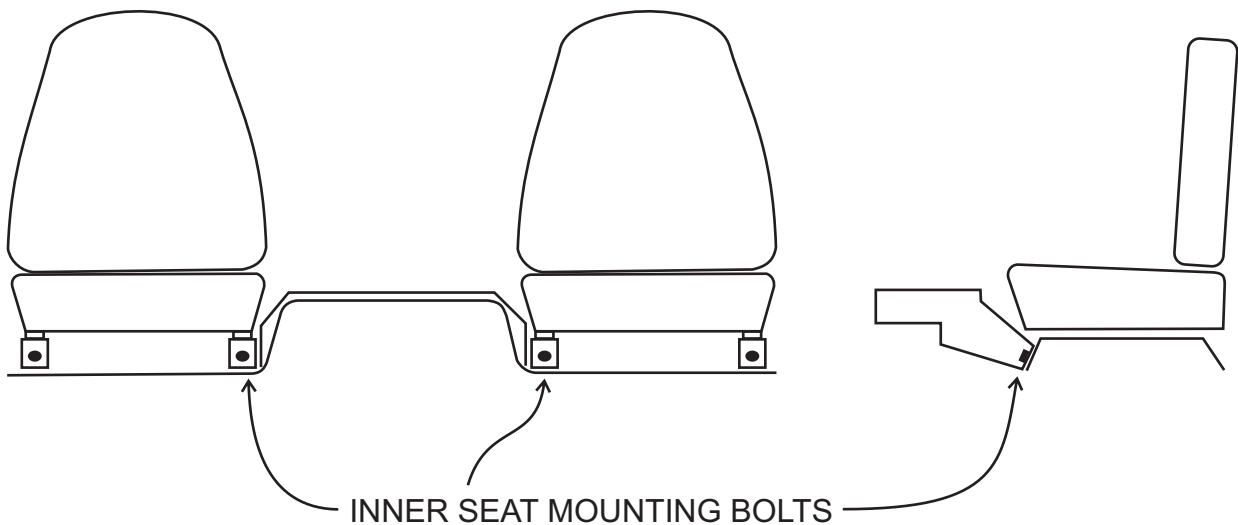
FORD TAURUS (1997 GL, SIX PASSENGER MODEL)

FORD TAURUS (1998-2006 LX, SE, SIX PASSENGER MODEL)

MERCURY SABLE (1998-2007)

INSTALLATION INSTRUCTIONS

1. Place both front seats in their most rear position.
2. Remove the drivers side front right and the passenger side front left seat mounting bolts (inner seat bolts).
3. Slightly lift both the passenger and driver seats and slide the No-Drill™ base between the floor of the vehicle and the bottom of the seat.
4. Align the holes and reinstall all of the seat bolts that have been removed.



RAM Mounting Systems
8410 Dallas Ave S
Seattle, WA 98108
Phone: (206) 763-8361
Fax: (206) 763-9615
www.rammount.com
support@rammount.com



RMR-INS-VB-115