

ZYXEL

NWD6602

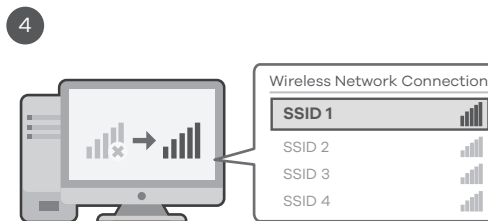
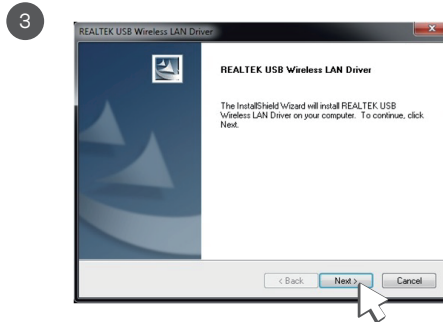
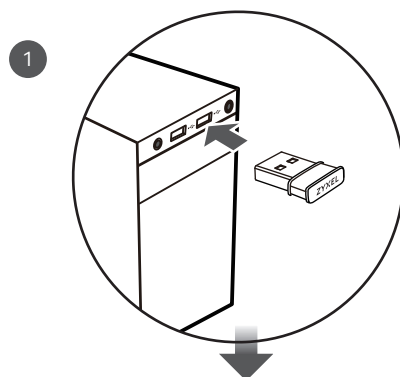
Dual-Band Wireless AC1200 USB Adapter



Quick Start Guide

ENGLISH | DEUTSCH | FRANÇAIS | ITALIANO
| ESPAÑOL | PORTUGUÊS

1 Setup network connection



Support Information

USA

+ 1 800 255 4101
support@zyxel.com

EU, Turkey and Russia

https://support.zyxel.eu

Thailand

+ 66 2831 5315
support@zyxel.co.th

Taiwan

+ 886 2 2739 9889
retail@zyxel.com.tw

EU Importer

Zyxel Communications A/S
Gladsaxevej 378, 2. th. 2860 Søborg, Denmark
https://www.zyxel.com/dk/da/

US Importer

Zyxel Communications, Inc
1130 North Miller Street Anaheim, CA 92806-2001
https://www.zyxel.com/us/en/

Copyright © 2020 Zyxel Communications Corp.
All Rights Reserved.



Package Contents



Device



QSG / Warranty Card



Declaration of Conformity
Safety Warnings

- EN** ① Insert the NWD6602 to a USB Type-A port on your computer.
② Open a web browser and go to <https://www.zyxel.com/nwd6602driver> to download the driver.
③ Follow the wizard prompts to complete the installation.
④ Check that your computer now has WiFi.

- DE** ① Schließen Sie den NWD6602 an einen USB Typ-A Anschluss an Ihrem Computer an.
② Öffnen Sie einen Webbrowser und gehen Sie zu <https://www.zyxel.com/nwd6602driver>, um den Treiber herunterzuladen.
③ Folgen Sie den Anweisungen des Assistenten, um die Installation abzuschließen.
④ Überprüfen Sie, ob Ihr Computer jetzt über WiFi verfügt.

- FR** ① Insérez le NWD6602 dans un port USB Type-A de votre ordinateur.
② Ouvrez un navigateur web et allez sur <https://www.zyxel.com/nwd6602driver> pour télécharger le pilote.
③ Suivez les instructions de l'assistant pour effectuer l'installation.
④ Vérifiez que votre ordinateur dispose maintenant du WiFi.

- IT** ① Inserire il NWD6602 in una porta USB di tipo A del computer.
② Aprire un browser web e andare su <https://www.zyxel.com/nwd6602driver> per scaricare il driver.
③ Seguire le istruzioni per completare l'installazione.
④ Verificare che il computer abbia il WiFi.

- ES** ① Inserte el NWD6602 en un puerto USB tipo A en su ordenador.
② Abra un navegador web y vaya a <https://www.zyxel.com/nwd6602driver> para descargar el controlador.
③ Siga las instrucciones del asistente para completar la instalación.
④ Compruebe que su ordenador tiene ahora WiFi.

- PT** ① Insira o NWD6602 numa porta USB Tipo A no seu computador.
② Abra um web browser e vá a <https://www.zyxel.com/nwd6602driver> para transferir o driver.
③ Siga as instruções do assistente para terminar a instalação.
④ Verifique se o computador tem agora WiFi.

ZYXEL

Your Networking Ally



Warranty Card

Thank you for purchasing a Zyxel product. Zyxel has a reputation for delivering high quality, high performance products and services to our customers. We recommend that you now visit the Zyxel website and register your product online. This will mean you can receive the latest firmware, drivers and product related information. If you still have further questions or enquiries related to the product, please contact our subsidiaries worldwide. Please note that warranty terms may vary by region. Full detailed information is available on our website, here: http://www.zyxel.com/support/warranty_information.shtml

Purchase Information

Zyxel Product Name:

Hardware Serial Number:

Date of Purchase:

(In certain countries, the warranty will be validated with seller's signature and stamp):

The NWD6602 Compatible Operating System

Windows	Mac	Linux
7 / 8 / 8.1 / 10	10.11 / 10.12 / 10.13 / 10.14 / 10.15	Fedora 20 Kernel 3.11 Fedora 23 Kernel 4.11 Ubuntu 15.04 Kernel 3.19 Ubuntu 18.04 Kernel 4.15

ZYXEL

NWD6602

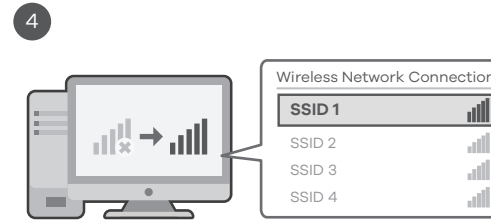
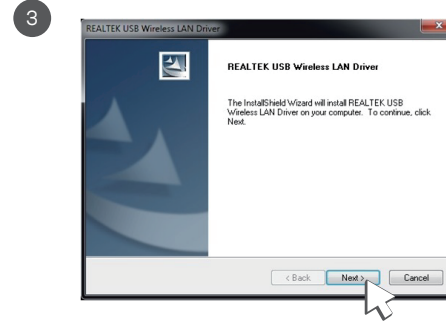
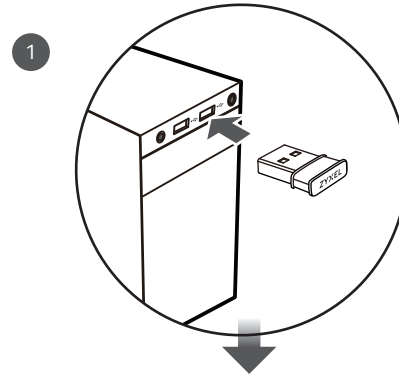
Dual-Band Wireless AC1200 USB Adapter



Quick Start Guide

NEDERLANDS | DANSK | NORSK | SVENSKA
| SUOMI | РУССКИЙ

1 Setup network connection



Support Information

USA

+ 1 800 255 4101
support@zyxel.com

EU, Turkey and Russia

https://support.zyxel.eu

Thailand

+ 66 2831 5315
support@zyxel.co.th

Taiwan

+ 886 2 2739 9889
retail@zyxel.com.tw

EU Importer

Zyxel Communications A/S
Gladsaxevej 378, 2. th. 2860 Søborg, Denmark
https://www.zyxel.com/dk/da/

US Importer

Zyxel Communications, Inc
1130 North Miller Street Anaheim, CA 92806-2001
https://www.zyxel.com/us/en/

Copyright © 2020 Zyxel Communications Corp.
All Rights Reserved.



Package Contents



Device



QSG / Warranty Card



Declaration of Conformity
Safety Warnings

- NL**
- Sluit de NWD6602 aan op een poort van type USB-A op uw computer.
 - Open een webbrowser en ga naar <https://www.zyxel.com/nwd6602driver> om het stuurprogramma te downloaden.
 - Volg de prompts in de wizard om de installatie te voltooien.
 - Controleer dat uw computer nu wifi heeft.

- DK**
- Indsæt NWD6602 i en USB type A-port i din computer.
 - Åbn en webbrowser, og gå til <https://www.zyxel.com/nwd6602driver> for at hente driveren.
 - Følg guidens meddelelser for at gennemføre installationen.
 - Kontrollér, at din computer nu har Wi-Fi.

- NO**
- Sett inn NWD6602 i en USB type-A-port på datamaskinen.
 - Åpne en nettleser og gå til <https://www.zyxel.com/nwd6602driver> for å laste ned driveren.
 - Følg veiviserens anvisninger for å fullføre installeringen.
 - Sjekk at datamaskinen nå har WiFi.

- SE**
- Anslut NWD6602 till en USB Typ A-port på din dator.
 - Öppna en webbläsare och gå till <https://www.zyxel.com/nwd6602driver> för att ladda ner drivrutinen.
 - Följ guidens anvisningar för att slutföra installationen.
 - Kontrollera att din dator nu har wifi.

- FI**
- Kytke NWD6602 tietokoneen USB Type-A -porttiin.
 - Avaa verkkoselain ja siirry osoitteeseen <https://www.zyxel.com/nwd6602driver> lataaksesi ohjaimen.
 - Suorita asennus ohjatun asennustoiminnon ohjeiden mukaisesti.
 - Tarkista, että tietokoneella on nyt Wi-Fi-yhteys.

- RU**
- Вставьте устройство NWD6602 в порт USB (типа А) на компьютере.
 - Откройте веб-браузер и перейдите на сайт <https://www.zyxel.com/nwd6602driver>, чтобы загрузить драйвер.
 - Выполните установку, следуя инструкциям мастера.
 - Проверьте, появилась ли у компьютера связь WiFi.

ZYXEL

Your Networking Ally



Warranty Card

Thank you for purchasing a Zyxel product. Zyxel has a reputation for delivering high quality, high performance products and services to our customers. We recommend that you now visit the Zyxel website and register your product online. This will mean you can receive the latest firmware, drivers and product related information. If you still have further questions or enquiries related to the product, please contact our subsidiaries worldwide. Please note that warranty terms may vary by region. Full detailed information is available on our website, here: http://www.zyxel.com/support/warranty_information.shtml

Purchase Information

Zyxel Product Name:

Hardware Serial Number:

Date of Purchase:

(In certain countries, the warranty will be validated with seller's signature and stamp):

The NWD6602 Compatible Operating System

Windows	Mac	Linux
7 / 8 / 8.1 / 10	10.11 / 10.12 / 10.13 / 10.14 / 10.15	Fedora 20 Kernel 3.11 Fedora 23 Kernel 4.11 Ubuntu 15.04 Kernel 3.19 Ubuntu 18.04 Kernel 4.15

ZYXEL

NWD6602

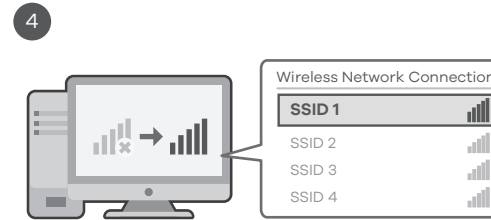
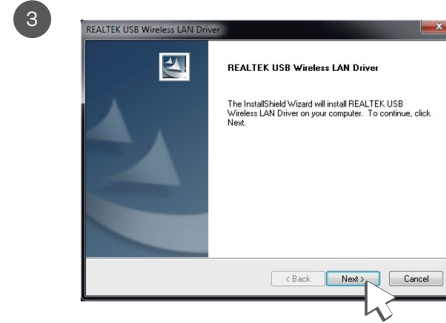
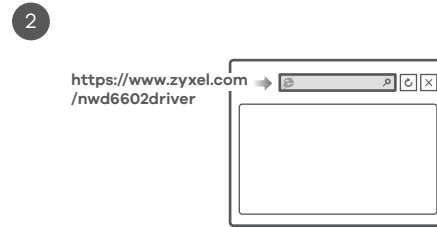
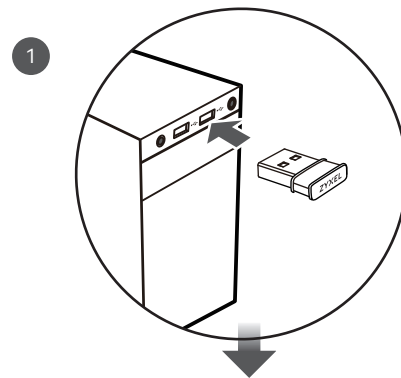
Dual-Band Wireless AC1200 USB Adapter



Quick Start Guide

ČEŠTINA | SLOVENČINA | POLSKI | ROMÂNĂ
| MAGYAR

1 Setup network connection



Support Information

USA

+ 1 800 255 4101
support@zyxel.com

EU, Turkey and Russia

<https://support.zyxel.eu>

Thailand

+ 66 2831 5315
support@zyxel.co.th

Taiwan

+ 886 2 2739 9889
retail@zyxel.com.tw

EU Importer

Zyxel Communications A/S
Gladsaxevej 378, 2. th. 2860 Søborg, Denmark
<https://www.zyxel.com/dk/da/>

US Importer

Zyxel Communications, Inc
1130 North Miller Street Anaheim, CA 92806-2001
<https://www.zyxel.com/us/en/>

Copyright © 2020 Zyxel Communications Corp.
All Rights Reserved.



Package Contents



Device



QSG / Warranty Card



Declaration of Conformity
Safety Warnings

The NWD6602 Compatible Operating System		
Windows	Mac	Linux
7 / 8 / 8.1 / 10	10.11 / 10.12 / 10.13 / 10.14 / 10.15	Fedora 20 Kernel 3.11 Fedora 23 Kernel 4.11 Ubuntu 15.04 Kernel 3.19 Ubuntu 18.04 Kernel 4.15

- CZ**
- 1 Připojte zařízení NWD6602 do portu USB typu A v počítači.
 - 2 Otevřete webový prohlížeč a přejděte na stránku <https://www.zyxel.com/nwd6602driver>, kde si můžete stáhnout ovladač.
 - 3 Dokončete instalaci podle pokynů průvodce.
 - 4 Zkontrolujte, zda je v počítači nyní k dispozici síť Wi-Fi.

- SK**
- 1 Izasuňte zariadenie NWD6602 do portu USB Type-A na počítači.
 - 2 Otvorte webový prehliadač, prejdite na stránku <https://www.zyxel.com/nwd6602driver> a stiahnite si ovladač.
 - 3 Podľa pokynov sprievodcu vykonajte inštaláciu.
 - 4 Skontrolujte, že váš počítač má teraz Wi-Fi.

- PL**
- 1 Należy włożyć NWD6602 do portu USB typu A w komputerze.
 - 2 Otworzyć przeglądarkę internetową i przejść do strony <https://www.zyxel.com/nwd6602driver>, aby pobrać sterownik.
 - 3 Postępować zgodnie z instrukcjami kreatora, aby zakończyć instalację.
 - 4 Sprawdzić, czy komputer ma teraz Wi-Fi.

- RO**
- 1 Introduceți NWD6602 într-un port USB tip A de pe computer.
 - 2 Deschideți un browser web și accesați <https://www.zyxel.com/nwd6602driver> pentru a descărca driverul.
 - 3 Urmați mesajele expertului pentru a finaliza instalarea.
 - 4 Verificați dacă acum computerul are Wi-Fi.

- HU**
- 1 Csatlakoztassa az NWD6602 eszközt számítógépe USB Type-A portjához.
 - 2 Nyisson meg egy internetböngészőt, és látogasson el a <https://www.zyxel.com/nwd6602driver> oldalra az illesztőprogram letöltéséhez.
 - 3 Kövesse a varázsló utasításait a telepítés elvégzéséhez.
 - 4 Ellenőrizze, hogy működik-e a számítógép WIFI-kapcsolata.

ZYXEL

Your Networking Ally



Warranty Card

Thank you for purchasing a Zyxel product. Zyxel has a reputation for delivering high quality, high performance products and services to our customers. We recommend that you now visit the Zyxel website and register your product online. This will mean you can receive the latest firmware, drivers and product related information. If you still have further questions or enquiries related to the product, please contact our subsidiaries worldwide. Please note that warranty terms may vary by region. Full detailed information is available on our website, here: http://www.zyxel.com/support/warranty_information.shtml

Purchase Information

Zyxel Product Name:

Hardware Serial Number:

Date of Purchase:

(In certain countries, the warranty will be validated with seller's signature and stamp):

ZYXEL

NWD6602

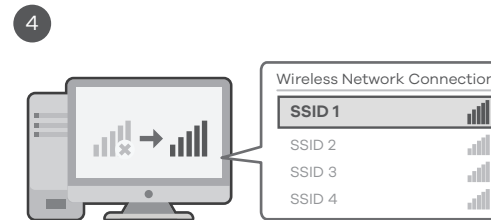
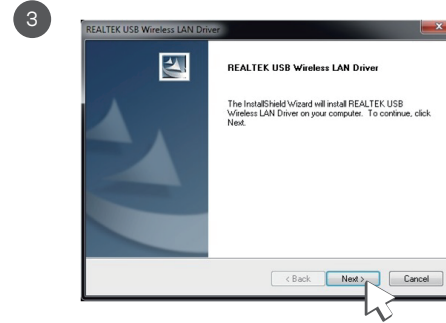
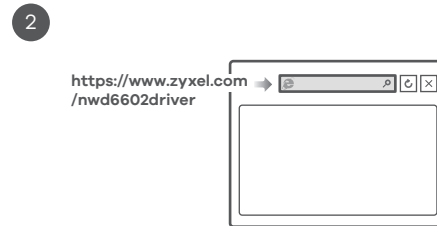
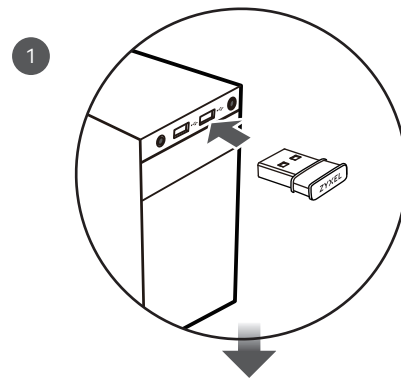
Dual-Band Wireless AC1200 USB Adapter



Quick Start Guide

SLOVENŠČINA | БЪЛГАРСКИ | TÜRK | ภาษาไทย
| 繁體中文

1 Setup network connection



Support Information

USA

+ 1 800 255 4101
support@zyxel.com

EU, Turkey and Russia

<https://support.zyxel.eu>

Thailand

+ 66 2831 5315
support@zyxel.co.th

Taiwan

+ 886 2 2739 9889
retail@zyxel.com.tw

EU Importer

Zyxel Communications A/S
Gladsaxevej 378, 2. th. 2860 Søborg, Denmark
<https://www.zyxel.com/dk/da/>

US Importer

Zyxel Communications, Inc
1130 North Miller Street Anaheim, CA 92806-2001
<https://www.zyxel.com/us/en/>

Copyright © 2020 Zyxel Communications Corp.
All Rights Reserved.



Package Contents



Device



QSG / Warranty Card



Declaration of Conformity
Safety Warnings

- SL**
1. I Vstavite NWD6602 v vrata USB Type-A na računalniku.
 2. Odprite spletni brskalnik in pojdite na <https://www.zyxel.com/nwd6602driver>, da prenesete gonilnik.
 3. Sledite pozivom čarovnika za dokončanje namestitve.
 4. Preverite, ali vaš računalnik sedaj ima povezano Wi-Fi.

- BG**
1. Поставете NWD6602 в USB Type-A порт на вашия компютър.
 2. Отворете уеб браузър и отидете на <https://www.zyxel.com/nwd6602driver>, за да изтеглите драйвера.
 3. Следвайте подканите на съветника, за да завършите инсталирането.
 4. Проверете сега дали компютърът ви има Wi-Fi.

- TR**
1. NWD6602'yi bilgisayarınızdaki bir USB Tip A bağlantı noktasına takın.
 2. Sürücüyü indirmek için internet tarayıcınızı açın ve <https://www.zyxel.com/nwd6602driver> adresine gidin.
 3. Kurulumu tamamlamak için sihirbazın talimatlarını izleyin.
 4. Bilgisayarınızın kablosuz ağa bağlanıp bağlanmadığını kontrol edin.

- TH**
1. ใส่ NWD6602 เข้ากับพอร์ต USB Type-A บนคอมพิวเตอร์ของคุณ
 2. เปิดเว็บเบราว์เซอร์และไปที่ <https://www.zyxel.com/nwd6602driver> เพื่อดาวน์โหลดไดรเวอร์
 3. ทำตามตัวช่วยสร้างเพื่อแจ้งให้การ์ดติดตั้งเสร็จสมบูรณ์
 4. ตรวจสอบว่าคอมพิวเตอร์ของคุณว่าตอนนี้มี WiFi

- 繁中**
1. 請將NWD6602插入您電腦上的USB Type A連接埠。
 2. 開啟網頁瀏覽器並連線至 <https://www.zyxel.com/nwd6602driver> 下載安裝驅動程式。
 3. 開啟驅動程式後，請參照電腦螢幕上安裝精靈的指引，來完成安裝程序。
 4. 安裝完成後，請確認您的電腦可以透過WiFi來進行連線上網。

ZYXEL

Your Networking Ally



Warranty Card

Thank you for purchasing a Zyxel product. Zyxel has a reputation for delivering high quality, high performance products and services to our customers. We recommend that you now visit the Zyxel website and register your product online. This will mean you can receive the latest firmware, drivers and product related information. If you still have further questions or enquiries related to the product, please contact our subsidiaries worldwide. Please note that warranty terms may vary by region. Full detailed information is available on our website, here: http://www.zyxel.com/support/warranty_information.shtml

Purchase Information

Zyxel Product Name:

Hardware Serial Number:

Date of Purchase:

(In certain countries, the warranty will be validated with seller's signature and stamp):

The NWD6602 Compatible Operating System		
Windows	Mac	Linux
7 / 8 / 8.1 / 10	10.11 / 10.12 / 10.13 / 10.14 / 10.15	Fedora 20 Kernel 3.11 Fedora 23 Kernel 4.11 Ubuntu 15.04 Kernel 3.19 Ubuntu 18.04 Kernel 4.15