

# A48

## 2MP Face, People and Car Detection Zoom Bullet with D/N, Adaptive IR, Extreme WDR, ELLS, 10x Zoom Lens



- Face, People and Car Detection
- 2 Megapixel
- Day & Night with Extreme Low Light Sensitivity and Adaptive IR LED
- 10x Zoom Lens with f4.7-47mm/F1.6-F3.0, DC iris, Auto focus (for installation)
- Extreme WDR
- H.265 Compression

### ► Specifications

#### Device

Product Type	Zoom Bullet
Maximum Resolution	2MP
Product Application	Face, People and Car Detection
Application Environment	Outdoor
Image Sensor	Progressive Scan CMOS
Sensor Size	1/2.8 "
Effective Pixels	1945(H) X 1097(V) (2.13 MP)
Day / Night	Yes
Low Light Sensitivity	Extreme
Minimum Illumination	Color: 0.05 lux at F1.6, B/W: 0.005 lux at F1.6
Mechanical IR Cut Filter	Yes
IR LED	Adaptive IR LED
IR Working Distance	30m
Electronic Shutter	1/5-1/16000 second (manual mode); 1/5-1/16000 second (auto mode)
Horizontal Resolution (TV Lines)	1300 TVL

<b>Lens</b>	
Focal Length	Zoom, f4.7-47mm
Aperture	F1.6-F3.0
Zoom Ratio	10x optical
Zoom Application	Camera Installation
Iris	DC iris
Focus	Auto focus
Lens Mount	Board mount
Horizontal Viewing Angle	58.7° - 6.2°
Vertical Viewing Angle	40° - 4°

<b>Video</b>	
Compression	H.265, H.264 (Baseline/ Main/ High profile), MJPEG
Maximum Frame Rate vs. Resolution	30 fps at 1920 x 1080 30 fps at 1280 x 720 30 fps at 640 x 480 30 fps at 320 x 240 30 fps at 720 x 480
Multi-Streaming	Simultaneous triple streams based on three configurations
Bit Rate	128Kbps - 12Mbps (per stream)
Bit Rate Mode	Constant, Variable
Wide Dynamic Range	Extreme WDR (142 dB)
Image Enhancement	Digital Image Stabilizer (DIS, EIS), Defogging
Digital Noise Reduction	2D + 3D DNR
Privacy Mask	Yes, 4 configurable regions
Text Overlay	Yes
On-Screen Graphics	Yes
Built-in Analytics	People Detection, Face Detection, Car Detection, Tampering Detection
Image Orientation	Flip, Mirror, Rotation

<b>Audio</b>	
Audio Type	2-way, Mic-in, Line-in, Line-out

<b>Network</b>	
Network Protocol & Service	IPv4/v6, TCP, UDP, DHCP, PPPoE, HTTP, HTTPS, DNS, DDNS, NTP, RTP, RTSP, RTCP, SMTP, FTP, IGMP, ICMP, ARP, Bonjour, UPnP, QoS, SNMP, IEEE 802.1X
Ethernet Port	1 x RJ-45 connector

<b>Integration</b>	
ONVIF Compliant	Yes, Profile S, Profile G, Profile T, Profile Q

<b>Interface</b>	
Local Storage	MicroSDHC, MicroSDXC Memory Card Slot (card not included, up to 256GB)
Digital Input/Output	1/1

<b>General</b>	
Power Source	DC 12V, PoE Class 3 (IEEE802.3af)

Power Consumption	12.95 W (PoE)
Environmental Casing	Weatherproof (IP66)
Starting Temperature	-10°C ~ 50°C (14°F ~ 122°F)
Operating Temperature	-20°C ~ 50°C (-4°F ~ 122°F)
Warranty	3 Year(s)

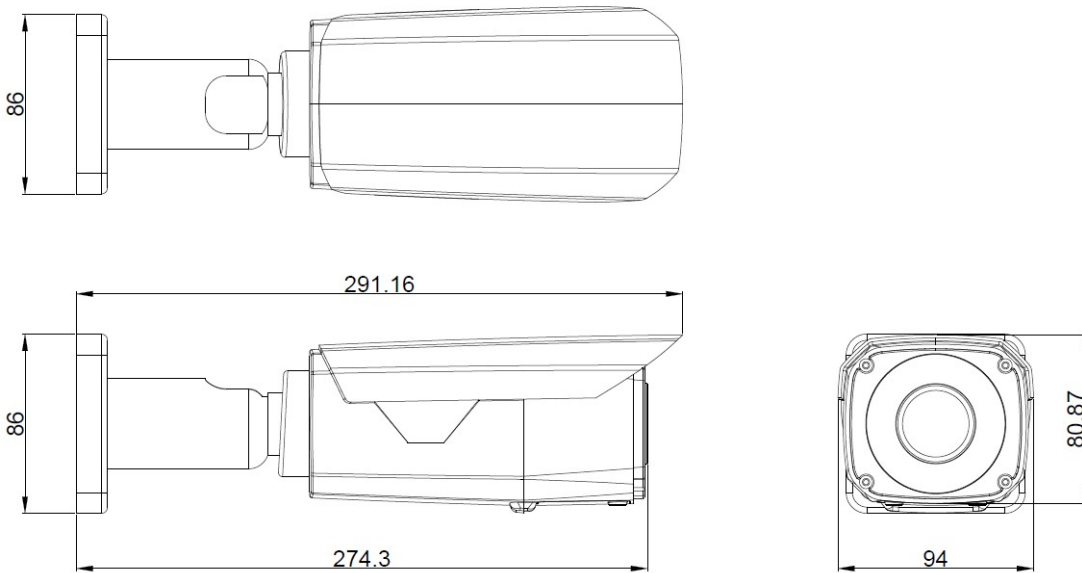
\* To be available through future firmware upgrade

### ► Photo Indication



- 1 Audio Output
- 2 DC 12V Power Input
- 3 Factory Reset
- 4 BNC Video Output
- 5 Audio Input
- 6 Ethernet Port
- 7 Digital Input / Output

### ► Dimension Diagram



Unit: mm [inch]

## ▶ Related Products

### Mounting Accessories - Camera Mount

PMAX-0512



Pole Mount (for E39, PMAX-0706), supports 3.25" to 7.0" Poles

PMAX-0517



Pole Mount (for A44, A45, A46, A48, A413), supports 3.25" to 7.0" Poles

PMAX-0518



Pole Mount (for A44, A45, A46, A48, A413), supports 2" to 3" Poles

PMAX-0706



Junction Box (for A3x, A4x, E39, E41x, PMAX-0805)

**Note:** Some mounting accessories may need additional accessories for installation. Please check [www.acti.com/mountingselector](http://www.acti.com/mountingselector) for more information.