



HDD SLOT COVER

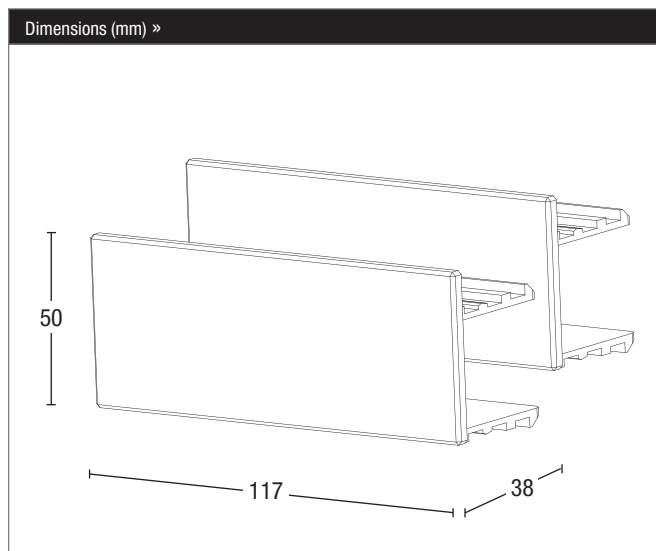
for Dark Base 700 | Silent Base 801/601 cases

HDD slot cover for a neat interior

Two HDD slot covers for a perfect covering of openings and for smart cable management options.

Highlights »

- Can be positioned in different offset distances to suit various cable widths
- Compatible with all Dark Base 700 and Silent Base 801/601 cases
- Three years manufacturer's warranty
- German product conception, design and quality control



Technical Data »	
Overall dimensions (L x W x H in mm)	117 x 38 x 50
Compatibility with be quiet! cases	Dark Base 700 series, Silent Base 801 series, Silent Base 601 series

Logistics Data »		
Compatibility	Art. no	EAN Code
Dark Base 900/Pure Base 600	BGA07	4260052186626
Dark Base 700/Silent Base 801/601	BGA06	4260052186619

Contact »	
be quiet! Headquarters Listan GmbH & Co. KG Biedenkamp 3A 21509 Glinde Germany	Service hotline: +49 40 7367 686 44 (mon. - fri., 9am to 5.30pm CET) e-mail: service@bequiet.com Visit the contact section on bequiet.com for the right regional service information.