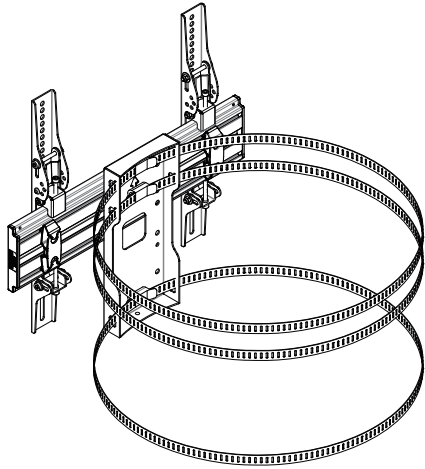




Technical Summary

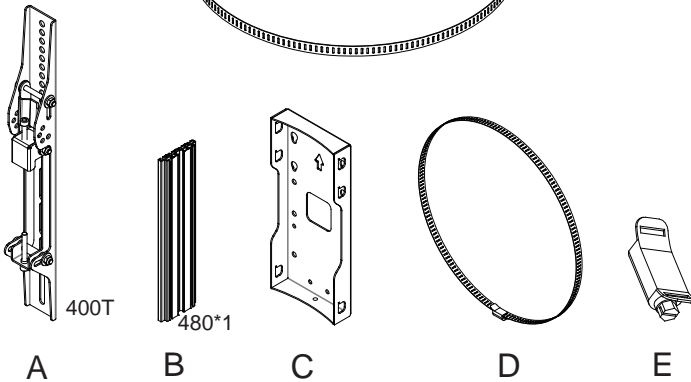
Pro Series -M Wall mount Column

EAN: 7350073738458

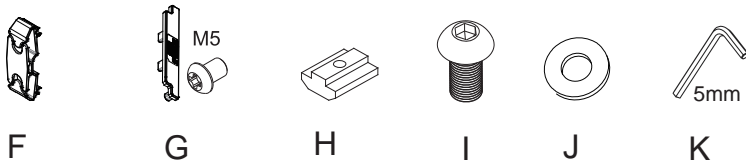


COMPONENT CHECKLIST

Item	Name	QTY
A	Hook component	2
B	Aluminum cross rail	1
C	wallboard	1
D	Steel belt	1
E	clamp	5
F	Line card	2
G	cover	2
H	T connector	4
I	M8*12mm Screw	4
J	Mφ16*φ8.2*1.5 Gasket	4
K	5mm Allen Key	1



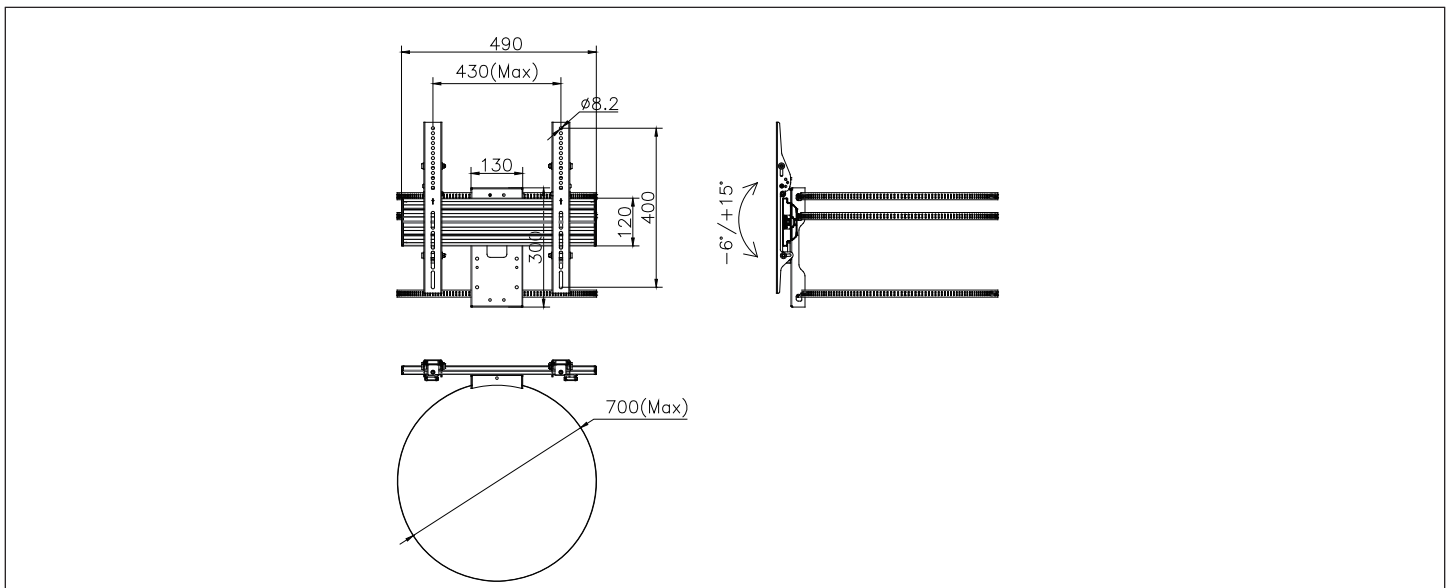
A B C D E



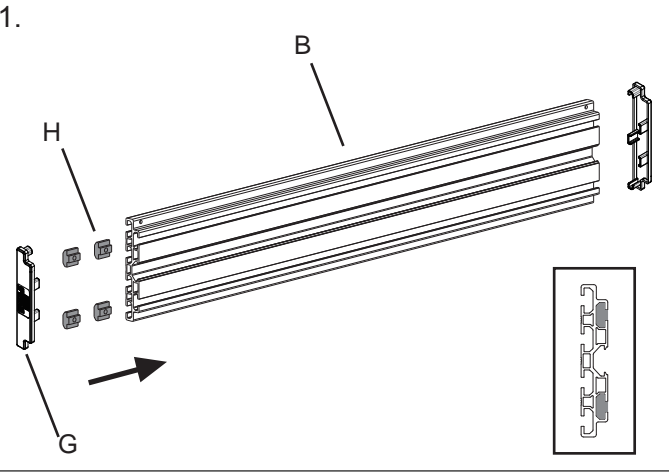
F G H I J K

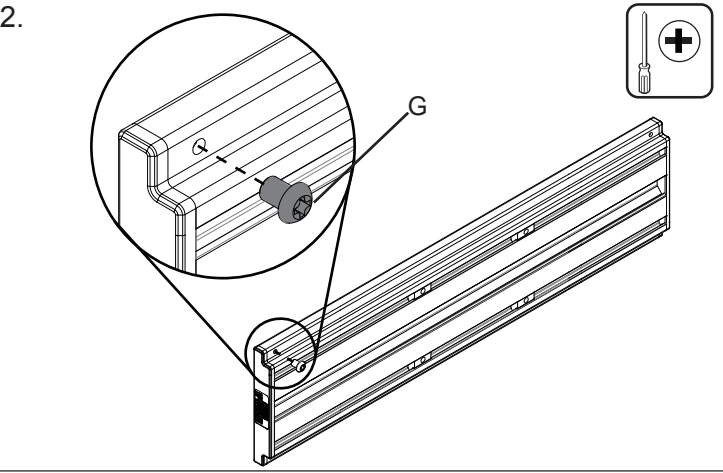
A1	A2	A3	A4	X1
M5X15	M6X15	M8X15	Ø16XØ6.2X1.5	
X4	X4	X4	X4	

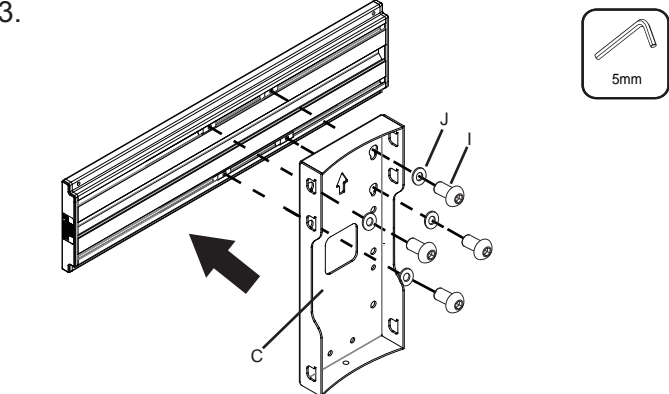
PRODUCT DIMENSIONS

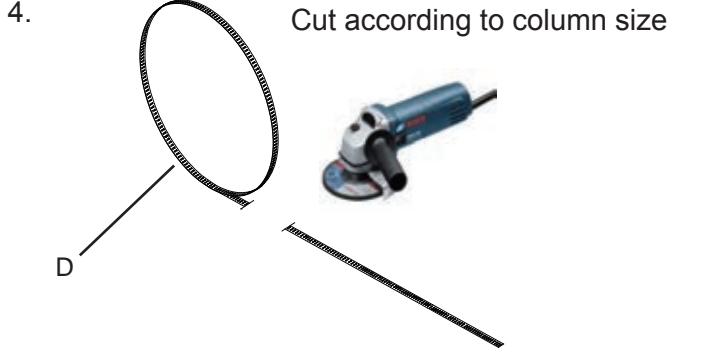



INSTALLATION INSTRUCTION

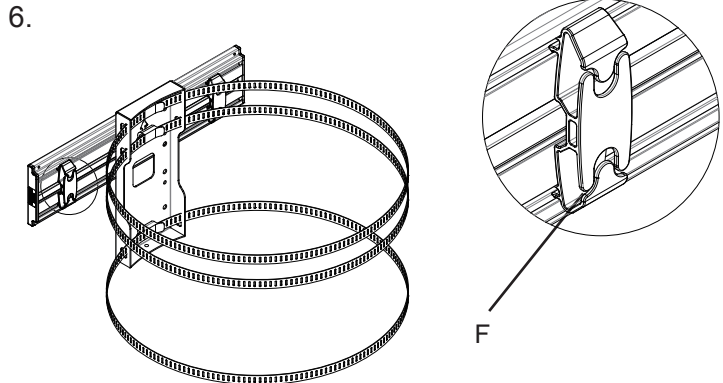
1. 

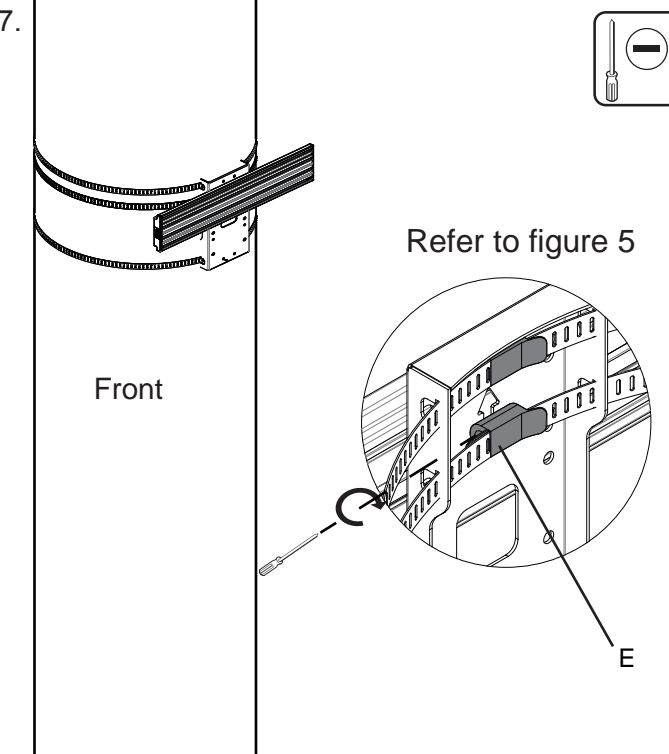
2. 

3. 

4. 

5. 

6. 

7. 

8. 