



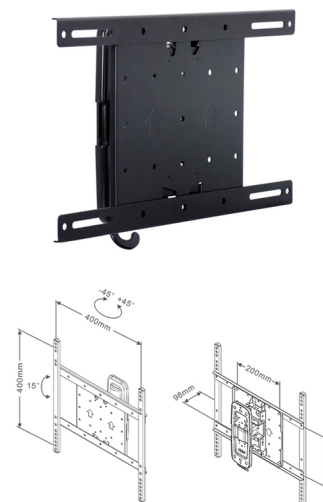
## Multibrackets 2241 TV-kiinnike 127 cm (50") musta

**Tuotemerkki :** Multibrackets

**Tuotekoodi:** 2241

**Tuotteen nimi :** 2241

Multibrackets 2241. Enimmäispaino: 25 kg, Näytön yhteensopivuuden vähimmäiskoko: 81,3 cm (32"), Näytön yhteensopivuuden enimmäiskoko: 127 cm (50"), Asennusliitännän yhteensopivuus (min.): 100 x 100 mm, Asennusliitännän yhteensopivuus (maks.): 400 x 400 mm. Kallistuskulma: 0 - 15°. Tuotteen väri: musta



Mounting		Weight & dimensions	
Minimum screen size	81.3 cm (32")	Width	488 mm
Maximum weight capacity *	25 kg	Depth (max)	9.8 cm
Maximum screen size *	127 cm (50")	Height	273 mm
Minimum VESA mount *	100 x 100 mm	Weight	2.1 kg
Maximum VESA mount *	400 x 400 mm	<b>Packaging data</b>	
Panel mounting interface	100 x 100,200 x 100,200 x 200,300 x 200,300 x 300,400 x 200,400 x 400	Package width	350 mm
Number of displays supported	1	Package depth	550 mm
Mounting type *	Wall	Package height	122 mm
<b>Ergonomics</b>		Package weight	2.1 kg
Tilt adjustment	✓	Package type	Box
Tilt angle range	0 - 15°	<b>Logistics data</b>	
Turn angle	90°	Products per shipping (inner) case	4 pc(s)
<b>Design</b>			
Product colour *	Black		



7350073732241

Disclaimer. The information published here (the "Information") is based on sources that can be considered reliable, typically the manufacturer, but this Information is provided "AS IS" and without guarantee of correctness or completeness. The Information is only indicative and can be changed at any time without notification. No rights can be based on the Information. Suppliers or aggregators of this Information do not accept any liability with regard to the content of (web)pages and other documents, including its Information. The publisher of the Information can not be held liable for the content of 3rd party websites that are linking this Information or are linked to from this Information. You as the User of the Information are solely responsible for the choice and usage of this Information. You are not entitled to transfer, copy or otherwise multiply or distribute the Information. You are obliged to follow the directions of the copyright owner(s) with regard to the use of the Information. Exclusively Dutch law is applicable. With regard to price and stock data on the site, the publisher followed a number of starting points, which are not necessarily relevant for your private or business circumstances. Therefore, the price and stock data are only indicative and are subject to changes. You are personally responsible for the way you use and apply this information. As a user of the Information or sites or documents in which this Information is included, you will adhere to standard fair use including avoidance of spamming, ripping, intellectual-property violations, privacy violations, and any other illegal activity.

Publication date: 19-DEC-2024. Prints or copies of Information are only valid on the printed Publication date