

AXIS Q86 Series

AXIS Q8641–E PT Thermal Network Camera

AXIS Q8642–E PT Thermal Network Camera

Installation Guide

English

EN

France: Français

FR

Deutschland: Deutsch

DE

Italia: Italiano

IT

España: Español

ES

日本: 日本語

JA

中文: 简体中文

ZH

Safety information	11
Hazard levels	11
Other message levels	11
Safety instructions	12
Transportation	13
Battery	13
Package contents	15
Product overview	16
How to install the product	18
Mount the base unit	18
Route the cables	20
Install the network link	26
Connect the cables	27
How to install an SD card (optional)	28
How to access the product	28
Reset to factory default settings	29
Further information	30
Optional accessories	30
Warranty information	30
Specifications	31
LED Indicators	31
SD card slot	31
Buttons	32
Connectors	32
Cables	34
Operating conditions	34
Power consumption	35
Contenu de l'emballage	37
Vue d'ensemble du produit	38
Comment installer le produit	40
Montage de l'unité de base	41
Acheminement des câbles	43
Installation de la liaison réseau	49
Branchez les câbles	50
Installation d'une carte SD (facultatif)	51
Comment accéder au produit	51
Réinitialiser les paramètres par défaut	52
Informations complémentaires	53
Accessoires en option	53
Informations sur la garantie	53
Caractéristiques	54
Voyants	54
Fente pour carte SD	54
Boutons	55
Connecteurs	55
Câbles	57
Conditions d'utilisation	58

Consommation d'énergie	58
Lieferumfang	59
Produktübersicht	60
Installieren des Produkts	62
Montieren der Gerätebasis	63
Die Kabel verlegen	65
Einrichten der Netzwerkverbindung	71
Anschließen der Kabel	72
Installieren einer SD-Speicherkarte (optional)	73
Zugriff auf das Produkt	73
Zurücksetzen auf die Werkseinstellungen	74
Weitere Informationen	75
Optionales Zubehör	75
Gewährleistungsinformationen	75
Technische Daten	76
LEDs	76
Einschub für SD-Speicherkarte	76
Tasten	77
Anschlüsse	77
Kabel	79
Betriebsbedingungen	80
Leistungsaufnahme	80
Contenuto della confezione	81
Panoramica del dispositivo	82
Come installare il dispositivo	84
Montaggio dell'unità base	85
Installazione dei cavi	87
Installazione del collegamento di rete	93
Collegamento dei cavi	94
Come installare una scheda di memoria (opzionale)	95
Modalità di accesso al dispositivo	95
Ripristino delle impostazioni predefinite di fabbrica	96
Ulteriori Informazioni	97
Accessori opzionali	97
Informazioni sulla garanzia	97
Specifiche	98
Indicatori LED	98
Slot per schede di memoria	98
Pulsanti	99
Connettori	99
Cavi	101
Condizioni di funzionamento	102
Consumo energetico	102
Contenido del paquete	103
Información general del producto	104
Cómo instalar el producto	106
Montaje de la unidad base	107

Guía de los cables	109
Instalación del enlace de red	114
Conexión de los cables	115
Cómo instalar una tarjeta SD (opcional)	116
Cómo acceder al producto	116
Restablecimiento a la configuración predeterminada de fábrica	117
Más información	118
Accesorios opcionales	118
Información de garantía	118
Especificaciones	119
Indicadores LED	119
Ranura para tarjetas SD	119
Botones	120
Conectores	120
Cables	122
Condiciones de funcionamiento	123
Consumo de energía	123
パッケージの内容	125
製品の概要	126
製品の取り付け方法	128
ベースユニットの取り付け	128
ケーブルの配線	130
ネットワークリンクのインストール	136
ケーブルの接続	137
SDカードの装着方法 (オプション)	138
製品のアクセス方法	138
工場出荷時の設定にリセットする	139
関連情報	140
オプションアクセサリ	140
保証情報	140
仕様	141
LEDインジケータ	141
SDカードスロット	141
ボタン	142
コネクタ	142
ケーブル	144
動作条件	145
消費電力	145
包装内容	147
产品概述	148
如何安装产品	150
安装底座单元	150
布线	152
安装网络链路	158
连接电缆	159
如何安装 SD 卡 (可选)	160
如何访问产品	160

重置为出厂默认设置	161
更多信息	162
可选附件	162
质保信息	162
规格	163
LED 指示灯	163
SD 卡插槽	163
按钮	163
接口	164
电缆	166
工作条件	166
功耗	167

Read this first

Read through this Installation Guide carefully before installing the product. Keep the Installation Guide for future reference.

Legal considerations

This product includes the following licences:

- one (1) H.264 decoder license
- To purchase further licenses, contact your reseller.

This product is subject to export control regulations. You should always consult and comply with the regulations of the appropriate local export control authorities.

Liability

Every care has been taken in the preparation of this document. Please inform your local Axis office of any inaccuracies or omissions. Axis Communications AB cannot be held responsible for any technical or typographical errors and reserves the right to make changes to the product and manuals without prior notice. Axis Communications AB makes no warranty of any kind with regard to the material contained within this document, including, but not limited to, the implied warranties of merchantability and fitness for a particular purpose. Axis Communications AB shall not be liable nor responsible for incidental or consequential damages in connection with the furnishing, performance or use of this material. This product is only to be used for its intended purpose.

Intellectual property rights

Axis AB has intellectual property rights relating to technology embodied in the product described in this document. In particular, and without limitation, these intellectual property rights may include one or more of the patents listed at axis.com/patent and one or more additional patents or pending patent applications in the US and other countries.

This product contains licensed third-party software. See the menu item "About" in the product's user interface for more information.

This product contains source code copyright Apple Computer, Inc., under the terms of Apple Public Source License 2.0 (see opensource.apple.com/apsl/). The source code is available from developer.apple.com/bonjour/.

Equipment modifications

This equipment must be installed and used in strict accordance with the instructions given in the user documentation. This equipment contains no user-serviceable components. Unauthorized equipment changes or modifications will invalidate all applicable regulatory certifications and approvals.

Trademark acknowledgements

AXIS COMMUNICATIONS, AXIS and VAPIX are registered trademarks or trademark applications of Axis AB in various jurisdictions. All other company names and products are trademarks or registered trademarks of their respective companies.

Apple, Apache, Bonjour, Ethernet, Internet Explorer, Linux, Microsoft, Mozilla, Real, SMPTE, QuickTime, UNIX, Windows, and WWW are registered trademarks of the respective holders. Java and all Java-based trademarks and logos are trademarks or registered trademarks of Oracle and/or its affiliates. The UPnP Word Mark and UPnP Logo are trademarks of Open Connectivity Foundation, Inc. in the United States or other countries.



microSD, microSDHC, and microSDXC Logos are trademarks of SD-3C LLC. microSD, microSDHC, microSDXC are trademarks or registered trademarks of SD-3C, LLC in the United States, other countries or both.

Regulatory information

Europe



This product complies with the applicable CE marking directives and harmonized standards:

- Electromagnetic Compatibility (EMC) Directive 2014/30/EU. See *Electromagnetic compatibility (EMC) on page 8*.
- Low Voltage Directive (LVD) 2014/35/EU. See *Safety on page 9*.
- Restriction of Hazardous Substances (RoHS) Directive 2011/65/EU and 2015/863, including any amendments, updates or replacements. See *Disposal and recycling on page 9*.

A copy of the original declaration of conformity may be obtained from Axis Communications AB. See *Contact information on page 9*.

Electromagnetic compatibility (EMC)

This equipment has been designed and tested to fulfill applicable standards for:

- Radio frequency emission when installed according to the instructions and used in its intended environment.
- Immunity to electrical and electromagnetic phenomena when installed according to the instructions and used in its intended environment.

USA

This device complies with part 15 of the FCC Rules. Operation is subject to the following two conditions:

1. This device may not cause harmful interference, and
2. this device must accept any interference received, including interference that may cause undesired operation.

This equipment has been tested using a shielded network cable (STP) and found to comply with the limits for a Class A digital device, pursuant to part 15 of the FCC Rules. These limits are designed to provide reasonable protection against harmful interference when the equipment is operated in a commercial environment. This equipment generates, uses, and can radiate radio frequency energy and, if not installed and used in accordance with the instruction manual, may cause harmful interference to radio communications. Operation of this equipment in a residential area is likely to cause harmful interference in which case the user will be required to correct the interference at his own expense. The product shall be connected using a shielded network cable (STP) that is properly grounded.

Contact information

Axis Communications Inc.
300 Apollo Drive
Chelmsford, MA 01824
United States of America
Tel: +1 978 614 2000

Canada

This digital apparatus complies with CAN ICES-3 (Class A). The product shall be connected using a shielded network cable (STP) that is properly grounded. Cet appareil numérique est conforme à la norme CAN NMB-3 (classe A). Le produit doit être connecté à l'aide d'un câble réseau blindé (STP) qui est correctement mis à la terre.

Europe

This digital equipment fulfills the requirements for RF emission according to the Class A limit of EN 55032. The product shall be connected using a shielded network cable (STP) that is properly grounded. Notice! This is a Class A product. In a domestic environment this product may cause RF interference, in which case the user may be required to take adequate measures.

Australia/New Zealand

This digital equipment fulfills the requirements for RF emission according to the Class A limit of AS/NZS CISPR 32. The product shall be connected using a shielded network cable (STP) that is properly grounded. Notice! This is a Class A product. In a domestic environment this product may cause RF interference, in which case the user may be required to take adequate measures.

Japan

この装置は、クラスA機器です。この装置を住宅環境で使用すると電波妨害を引き起こすことがあります。この場合には使用者が適切な対策を講ずるよう要求されることがあります。VCCI-A本製品は、シールドネットワークケーブル(STP)を使用して接続してください。また適切に接地してください。本製品は電気通信事業者（移动通信会社、固定通信会社、インターネットプロバイダ等）の通信回線（公衆無線 LAN を含む）に直接接続することができません。本製品をインターネットに接続する場合は、必ずルータ等を経由し接続してください。

Korea

이 기기는 업무용 환경에서 사용할 목적으로 적합성 평가를 받은 기기로서 가정용 환경에서 사용하는 경우 전파간섭의 우려가 있습니다. 적절히 접지된 STP (shielded twisted pair) 케이블을 사용하여 제품을 연결 하십시오.

Safety

This product complies with IEC/EN/UL 60950-1, safety of audio/video and IT equipment and IEC/EN/UL 60950-22, Safety of Information Technology Equipment. The product shall be grounded using both the protective earth wire in the power cable and the grounding braid. Make sure both ends of the protective earth wire and the grounding braid are in contact with their respective grounding surfaces.

The power supply used with this product shall fulfill the requirements for Safety Extra Low Voltage (SELV) according to clause 2.2 of IEC/UL 60950-1 or CEC/NEC Class 2 source of supply as defined in the Canadian Electrical Code, CSA C22.1 and National Electrical Code, ANSI/NFPA 70.

Disposal and recycling

When this product has reached the end of its useful life, dispose of it according to local laws and regulations. For information about your nearest designated collection point, contact your local authority responsible for waste disposal. In accordance with local legislation, penalties may be applicable for incorrect disposal of this waste.

Europe



This symbol means that the product shall not be disposed of together with household or commercial waste. Directive 2012/19/EU on waste electrical and electronic equipment (WEEE) is applicable in the European Union member states. To prevent potential harm to human health and the environment, the product must be disposed of in an approved and environmentally safe recycling process. For information about your nearest designated collection

point, contact your local authority responsible for waste disposal. Businesses should contact the product supplier for information about how to dispose of this product correctly.

This product complies with the requirements of Directive 2011/65/EU and 2015/863 on the restriction of the use of certain hazardous substances in electrical and electronic equipment (RoHS).

China



This product complies with the requirements of SJ/T 11364-2014, Marking for the restriction of hazardous substances in electrical and electronic products.

有毒有害物质或元素						
部件名称	铅 (Pb)	汞 (Hg)	镉 (Cd)	六价铬 (Cr-VI)	多溴联苯 (PB-B)	多溴二噁 (PB-DE)
电气实装部分	X	0	0	0	0	0
<p>0: 表示该有毒有害物质在该部件均质材料中的含量均在GB/T 26572标准规定的限量要求以下。</p> <p>X: 表示该有毒有害物质至少在该部件的某一均质材料中的含量超出GB/T 26572标准规定的限量要求。</p>						

Contact information

Axis Communications AB
Emdalavägen 14
223 69 Lund
Sweden

Tel: +46 46 272 18 00

Fax: +46 46 13 61 30

axis.com

Warranty information

For information about Axis' product warranty and thereto related information, go to axis.com/warranty.

Support

Should you require any technical assistance, please contact your Axis reseller. If your questions cannot be answered immediately, your reseller will forward your queries through the appropriate channels to ensure a rapid response. If you are connected to the Internet, you can:

- download user documentation and software updates
- find answers to resolved problems in the FAQ database, search by product, category, or phrase
- report problems to Axis support staff by logging in to your private support area
- chat with Axis support staff
- visit Axis Support at axis.com/support

Learn more!

Visit Axis learning center axis.com/academy for useful trainings, webinars, tutorials and guides.

Safety information

Hazard levels

▲ DANGER

Indicates a hazardous situation which, if not avoided, will result in death or serious injury.

▲ WARNING

Indicates a hazardous situation which, if not avoided, could result in death or serious injury.

▲ CAUTION

Indicates a hazardous situation which, if not avoided, could result in minor or moderate injury.

NOTICE

Indicates a situation which, if not avoided, could result in damage to property.

Other message levels

Important

Indicates significant information which is essential for the product to function correctly.

Note

Indicates useful information which helps in getting the most out of the product.

Safety instructions

⚠ DANGER

Risk of electric shock. All cables shall be de-energized before installing or performing maintenance on the product.

⚠ WARNING

The Axis product shall be installed by a trained professional, and in compliance with local laws and regulations.

⚠ CAUTION



Risk of injury. Moving parts. Keep your body parts away from the product when in operation. Disconnect from power supply before installing or performing maintenance on the product.

⚠ CAUTION



Risk of injury. Hot surface. Do not touch the product when in operation. Disconnect from power supply and allow the surfaces to cool before performing maintenance on the product.

NOTICE

- The Axis product shall be used in compliance with local laws and regulations.
- Store the Axis product in a dry and ventilated environment.
- Avoid exposing the Axis product to shocks or heavy pressure.
- Do not install the product on unstable poles, brackets, surfaces or walls.
- Use only applicable tools when installing the Axis product. Using excessive force with power tools could cause damage to the product.
- Do not use chemicals, caustic agents, or aerosol cleaners.
- Use a clean cloth dampened with pure water for cleaning.
- Use only accessories that comply with the technical specification of your product. These can be provided by Axis or a third party. Axis recommends using Axis power source equipment compatible with your product.
- Use only spare parts provided by or recommended by Axis.
- Do not attempt to repair the product yourself. Contact Axis support or your Axis reseller for service matters.
- Do not point the camera lens toward the sun or other high-intensity radiation sources because this could cause damage to the camera.
- Use a yellow/green colored grounding cable of at least 0,5 mm² or 20 AWG.

Transportation

NOTICE

- When transporting the Axis product, use the original packaging or equivalent to prevent damage to the product.

Battery

The Axis product uses a 3.0 V BR2032 lithium battery as the power supply for its internal real-time clock (RTC). Under normal conditions this battery will last for a minimum of five years.

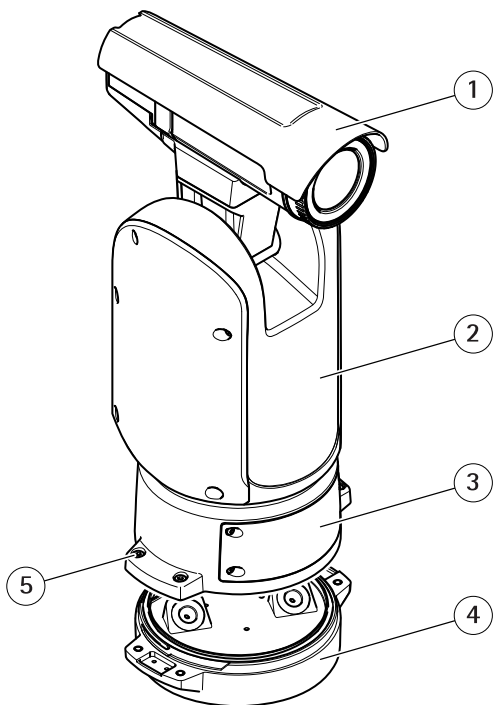
Lithium coin cell 3.0 V batteries contain 1,2-dimethoxyethane; ethylene glycol dimethyl ether (EGDME), CAS no. 110-71-4.

Package contents

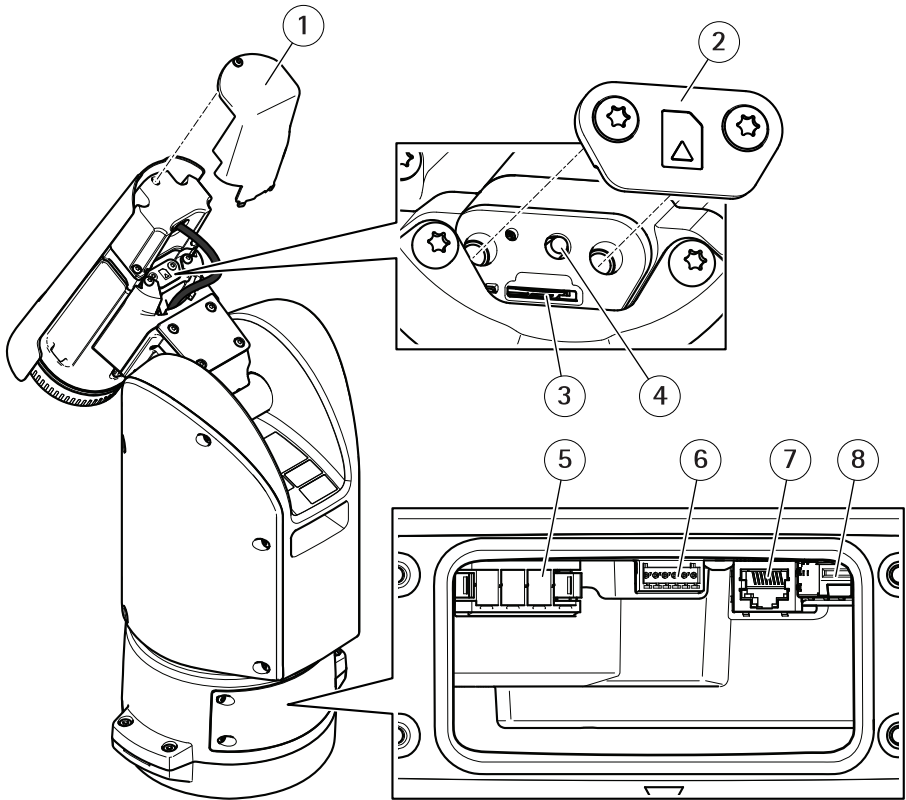
- AXIS Q8641-E or AXIS Q8642-E PT Thermal Network Camera
- Power connector
- I/O connector
- Torx® bit T20 and T30
- Printed materials
 - Installation Guide (this document)
 - Extra serial number label (2x)
 - AVHS Authentication key

Product overview

For specifications of the hardware components, see *Specifications* on page 31



- 1 Sunshield
- 2 Positioning camera
- 3 Lid
- 4 Base unit
- 5 Base unit screws



- 1 Back lid
- 2 SD card lid
- 3 SD card slot
- 4 Control button
- 5 Input power connector
- 6 I/O connector
- 7 RJ45 connector
- 8 SFP slot for SFP module (SFP module not included)

How to install the product

⚠ DANGER

Risk of electric shock. All cables shall be de-energized before installing the product.

⚠ CAUTION

The electrical connections and conduit installations shall be made by a certified electrician and in compliance with local regulations.

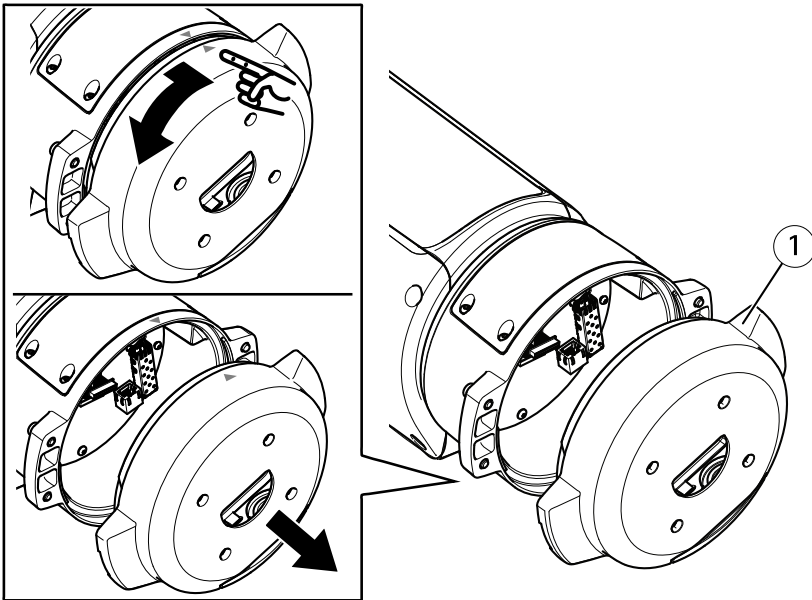
⚠ CAUTION

⚠ Risk of injury. Moving parts. Keep your body parts away from the product when in operation. Disconnect from power supply before installing or performing maintenance on the product.

⚠ CAUTION

⚠ Risk of injury. Hot surface. Do not touch the product when in operation. Disconnect from power supply and allow the surfaces to cool before performing maintenance on the product.

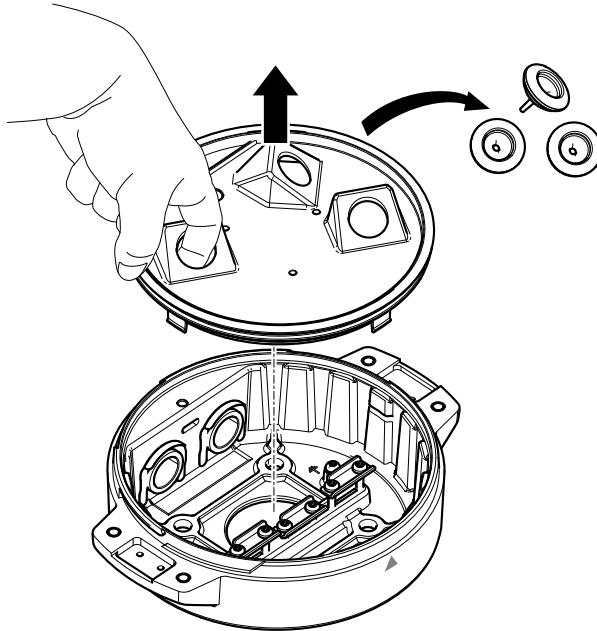
Mount the base unit



1 Base unit

1. Remove the four base unit screws (T30).
2. Simultaneously pull and turn the base unit counterclockwise until the arrows on the base unit and the rest of the unit are aligned.
3. Remove the base unit.

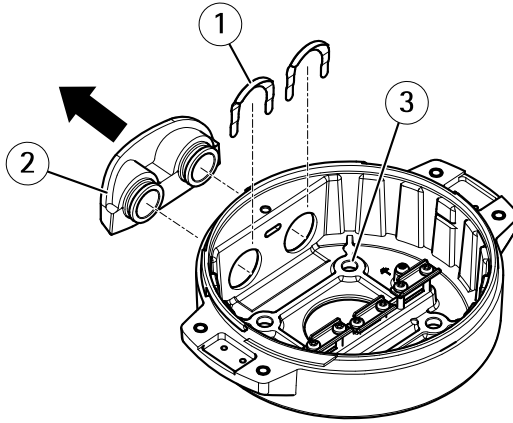
EN



NOTICE

Do not use sharp tools when removing the transparent base unit cover.

4. Remove the transparent base unit cover.



- 1 Conduit cover clip
- 2 Conduit cover
- 3 Screw hole (x4)

- 5. For conduit installations only: remove the two conduit cover clips followed by the conduit cover.
- 6. Attach the base unit to the mounting surface using the appropriate fasteners in the four screw holes.

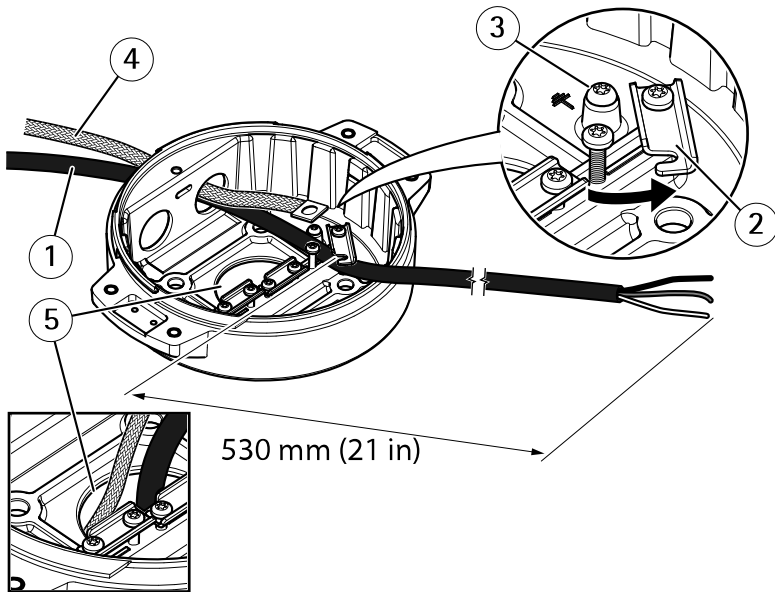
Route the cables

⚠WARNING

Risk of electric shock. The product shall be grounded using both the protective earth wire in the power cable and the grounding braid. Make sure both ends of the protective earth wire and the grounding braid are in contact with their respective grounding surfaces.

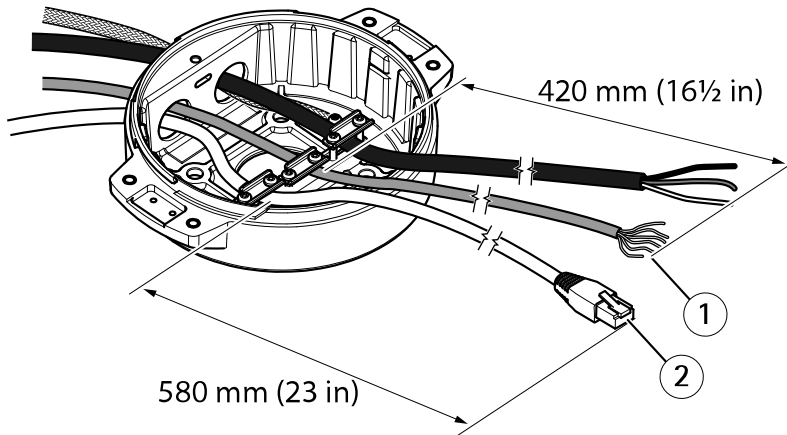
Important

Use only cables that comply with the specified cable area. For more information, see *Cable thickness on page 34*.



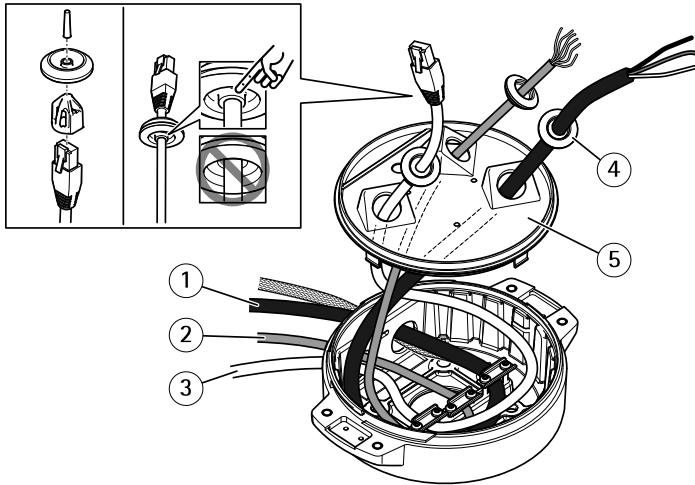
- 1 Power cable (not included)
- 2 Strain relief
- 3 Grounding screw
- 4 Grounding braid (not included)
- 5 Bottom cable hole

1. Install the optional conduit adapters (not included).
2. Connect the grounding braid to the grounding screw.
3. Insert the power cable, I/O cable and network cable through the hole in the base unit as shown in the illustration above. Alternatively insert them through the bottom cable hole.
4. Insert the power cable through the strain relief with a distance of 530 mm (21 in) from the strain relief to the end of the cable.



- 1 I/O cable (optional, not included)
- 2 Network cable (not included)

5. Insert the I/O cable (optional) through the strain relief with a distance of 420 mm (16½ in) from the strain relief to the end of the cable.
6. Insert the network cable (optical fiber cable and/or RJ45 cable) through the strain relief with a distance of 580 mm (23 in) from the strain relief to the end of the connector. For more information on different network connectivity options, see *Install the network link* on page 26.
7. Close and tighten the three strain reliefs.



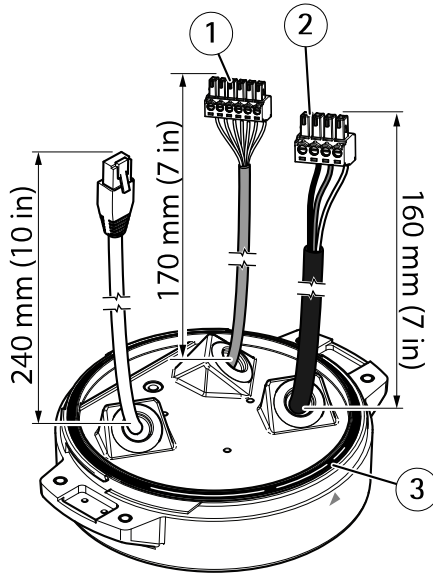
- 1 Power cable (not included)
- 2 I/O cable (optional, not included)
- 3 Network cable (not included)
- 4 Cable gasket
- 5 Transparent base unit cover

8. Fit cable gaskets on the cables. See *Cable thickness* on page 34.
9. Insert the power, I/O and network cables including the cable gaskets through the holes in the transparent base unit cover and arrange the cables as shown in the illustration above.

NOTICE

If you use both an optical fibre cable and an RJ45 cable for network connectivity, route the optical fibre cable through the same cable gasket as the I/O cable. Apply a sealant between the cables and the cable gasket to prevent leakage. For more information on different network connectivity options, see *Install the network link* on page 26.

10. Replace the transparent base unit cover on the base unit and fit the cable gaskets inside the holes.



- 1 I/O connector
- 2 Power connector
- 3 O-ring

NOTICE

Make sure the protective earth wire is about 10 mm (3/8 in) longer than the other two wires (in the power cable), so that it will not be disconnected accidentally if pulled.

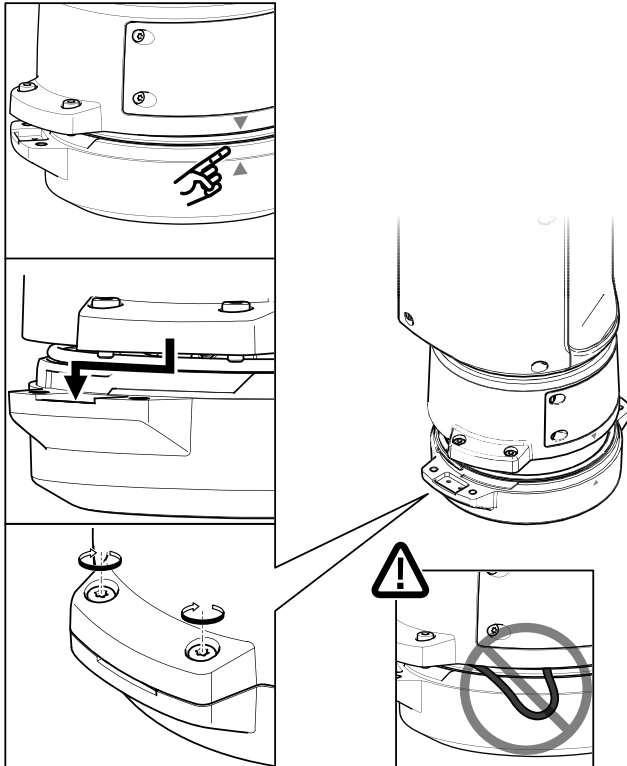
Note

We recommend that you strip approximately 90 mm (3½ in) of the power cable jacket and 70 mm (2¾ in) of the I/O cable jacket for ease of installation.

11. Install the power and I/O connectors, see *Connectors on page 32*.
12. Adjust the network, I/O and power cables so that the distance from the cable gasket to the end of the connector is 240 mm (10 in), 170 mm (7 in), and 160 mm (7 in) respectively.

NOTICE

Make sure that the O-ring is fitted correctly around the transparent base unit cover.

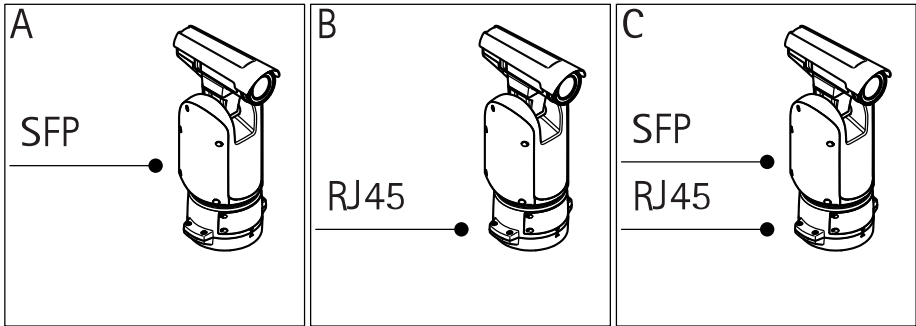


13. Replace the positioning unit on the base unit making sure that the arrows on the two units are aligned.
14. Turn the positioning unit clockwise back to its original position and tighten the four base unit screws (torque 3.0 Nm).

NOTICE

Make sure that the cables do not get pinched when mounting the two units.

Install the network link



You have different options for installing the network link:

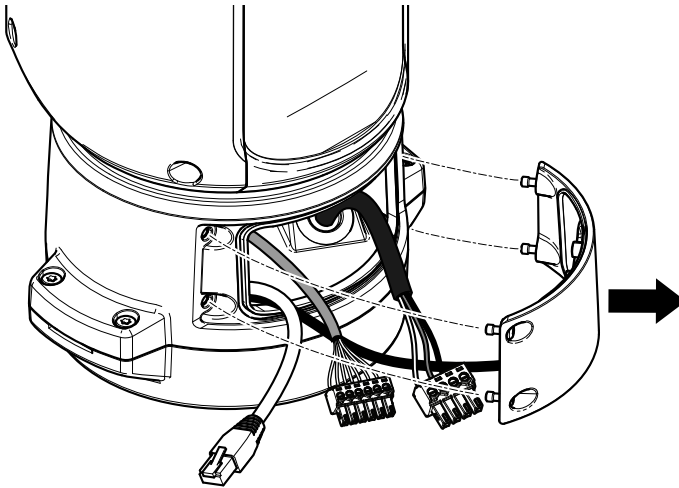
- A: via an optical fiber or RJ45 cable connected to the SFP module (with a respective connector) in the SFP slot.
- B: via an RJ45 cable connected to the fixed RJ45 connector.
- C: via both of the above, in which case connection via the SFP module functions as the primary network link and connection via the fixed RJ45 connector as the fail-over link.

For more information on network connector locations, see *Connectors on page 32*.

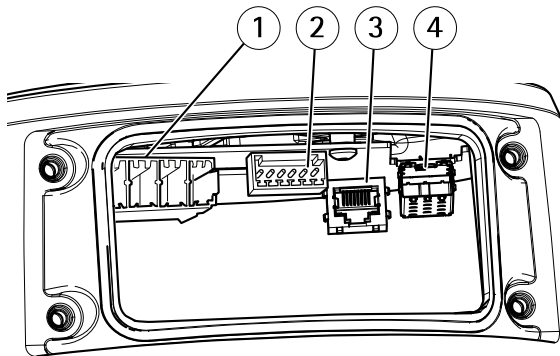
Note

- SFP module is not included. For more information on available SFP modules, see www.axis.com
- Establishing a network link only via the optical fiber cable using the respective SFP module works as a stand-alone solution for long range cabling installations.

Connect the cables



1. Loosen the four lid screws (T20) and remove the lid.



- 1 *Input power connector*
- 2 *I/O connector*
- 3 *RJ45 connector*
- 4 *SFP slot for SFP module (SFP module not included)*

2. Connect the network (optical fibre and/or RJ45), I/O and power cables. For more information on different network connectivity options, see *Install the network link* on page 26.

3. Replace the lid and tighten the four lid screws (torque 3.0 Nm).
4. Apply power to the product.

How to install an SD card (optional)

A standard or high capacity microSD card (not included) can be used to store recordings locally in the product. See *Product overview on page 16* before installing the SD card.

1. Disconnect power from the product.
2. Remove the back lid screw and remove the back lid.
3. Remove the SD card lid screws and remove the SD card lid.
4. Insert a microSD card into the SD card slot, see *Product overview on page 16*
5. Attach the SD card lid and tighten the screws (torque 1.0 Nm).
6. Attach the back lid and tighten the screw (torque 1.0 Nm).
7. Reconnect power to the product.


How to access the product

To find Axis devices on the network and assign them IP addresses in Windows®, use AXIS IP Utility or AXIS Device Manager. Both applications are free and can be downloaded from axis.com/support


For more information about using the product, see the User Manual available at axis.com

Reset to factory default settings

⚠ CAUTION

 Risk of injury. Moving parts. Keep your body parts away from the product when in operation. Disconnect from power supply before installing or performing maintenance on the product.

⚠ CAUTION

 Risk of injury. Hot surface. Do not touch the product when in operation. Disconnect from power supply and allow the surfaces to cool before performing maintenance on the product.

Important

Reset to factory default should be used with caution. A reset to factory default resets all settings, including the IP address, to the factory default values.

See the *Product overview on page 16* before you reset. To reset the product to the factory default settings:

1. Disconnect power from the product.
2. Loosen the back lid screw and remove the back lid.
3. Loosen the SD card lid screws and remove the SD card lid.
4. Press and hold the control button and reconnect power.
5. Keep the control button pressed for 15–30 seconds until the status LED indicator flashes amber.
6. Release the control button. The process is complete when the status LED indicator turns green. The product has been reset to the factory default settings. If no DHCP server is available on the network, the default IP address is 192.168.0.90
7. Attach the SD card lid and tighten the screws (torque 1.0 Nm).
8. Attach the back lid and tighten the screw (torque 1.0 Nm).
9. Using the installation and management software tools, assign an IP address, set the password, and access the video stream.

The installation and management software tools are available from the support pages at www.axis.com/support

Further information

- For the latest version of this document, see axis.com
- The user manual is available at axis.com
- To check if there is updated firmware available for your device, see axis.com/support
- For useful online trainings and webinars, see axis.com/academy

Optional accessories

For a complete list of available accessories for this product, go to the product's page on axis.com and select Software & Accessories.

Warranty information

For information about Axis' product warranty and thereto related information, go to axis.com/warranty.

Specifications


To find the latest version of the product's datasheet, go to the product page at axis.com and locate **Support & Documentation**.

LED Indicators


Status LED	Indication
Unlit	Connection and normal operation.
Green	Connection and normal operation.
Amber	Steady during startup. Flashes during firmware upgrade or reset to factory default.
Amber/Red	Flashes amber/red if network connection is unavailable or lost.
Red	Firmware upgrade failure.

SD card slot

CAUTION

 Risk of injury. Moving parts. Keep your body parts away from the product when in operation. Disconnect from power supply before installing or performing maintenance on the product.

CAUTION

 Risk of injury. Hot surface. Do not touch the product when in operation. Disconnect from power supply and allow the surfaces to cool before performing maintenance on the product.

NOTICE

- Risk of damage to SD card. Do not use sharp tools, metal objects, or excessive force when inserting or removing the SD card. Use your fingers to insert and remove the card.
- Risk of data loss and corrupted recordings. Do not remove the SD card while the product is running. Unmount the SD card from the product's webpage before removal.

This product supports microSD/microSDHC/microSDXC cards.

For SD card recommendations, see axis.com.

Buttons

Control button

For location of the control button, see *Product overview on page 16*.

The control button is used for:

- Resetting the product to factory default settings. See *page 29*.
- Connecting to an AXIS Video Hosting System service. To find out more about this service, see *axis.com*

Connectors

Network connector

RJ45 Ethernet connector.

SFP connector.

NOTICE

The product shall be connected using a shielded network cable (STP) or an optical fiber cable. All cables connecting the product to the network shall be intended for their specific use. Make sure that the network devices are installed in accordance with the manufacturer's instructions. For information about regulatory requirements, see *Electromagnetic compatibility (EMC) on page 8*.

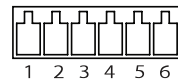
I/O connector

Use the I/O connector with external devices in combination with, for example, motion detection, event triggering, and alarm notifications. In addition to the 0 V DC reference point and power (DC output), the I/O connector provides the interface to:

Digital input – For connecting devices that can toggle between an open and closed circuit, for example PIR sensors, door/window contacts, and glass break detectors.

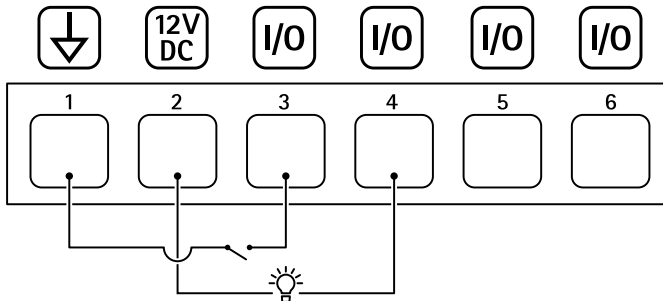
Digital output – For connecting external devices such as relays and LEDs. Connected devices can be activated by the VAPIX® Application Programming Interface or from the product's webpage.

6-pin configurable terminal block



Function	Pin	Notes	Specifications
DC ground	1		0 V DC
DC output	2	Can be used to power auxiliary equipment. Note: This pin can only be used as power out.	12 V DC Max load = 50 mA
Configurable (Input or Output)	3-6	Digital input – Connect to pin 1 to activate, or leave floating (unconnected) to deactivate.	0 to max 30 V DC
		Digital output – Internally connected to pin 1 (DC ground) when active, and floating (unconnected) when inactive. If used with an inductive load, e.g., a relay, connect a diode in parallel with the load, to protect against voltage transients.	0 to max 30 V DC, open drain, 100 mA

Example



- 1 DC ground
- 2 DC output 12 V, max 50 mA
- 3 I/O configured as input
- 4 I/O configured as output
- 5 Configurable I/O
- 6 Configurable I/O

Power connector

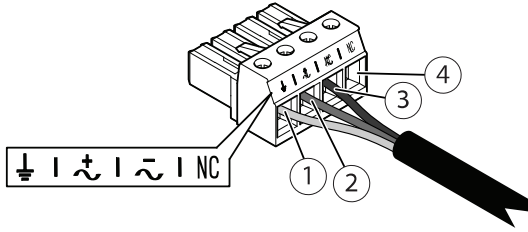
4-pin terminal block for power input.

24 V AC/DC power connector

NOTICE

This section is valid for products powered by 24 V AC and 24 V DC only.

AXIS Q86 Series



This table is only valid for the 24 V AC and the 24 V DC power connectors.

Position	24 V AC	24 V DC
1	Protective earth	Protective earth
2	24 V AC Phase	+ 24 V
3	24 V AC Neutral	0 V
4	Not connected	Not connected

Cables

Cable thickness

The cable diameter, when using cable gaskets provided with the product, should be in the range of 5 to 11 mm (0.2 to 0.4 in).

NOTICE

- Use cables that keep within the specified cable area
- Select cables in compliance with your local regulations
- Make sure all cable holes are properly sealed
- Use cable gaskets or cable glands that match both the cable hole and the cable area

For information about accessories, such as cable gaskets and cable glands that allow for other cable areas, see www.axis.com

Operating conditions

The Axis product is intended for indoor and outdoor use.

Temperature	Humidity
Operation: -40 °C to 60 °C (-40 °F to 140 °F)	10–100% RH (non-condensing)

Power consumption

Product	Typical consumption	Max consumption
AXIS Q8641-E 24 V AC/DC*	16 W	182 W
AXIS Q8642-E 24 V AC/DC*		

Important

*When using the 22 m (72 ft) AXIS Cable 24 V DC/24–240 V AC, a power supply capable of delivering 220 W is required to compensate for the power loss in the cable.

NOTICE

The typical power consumption values are based on the following:

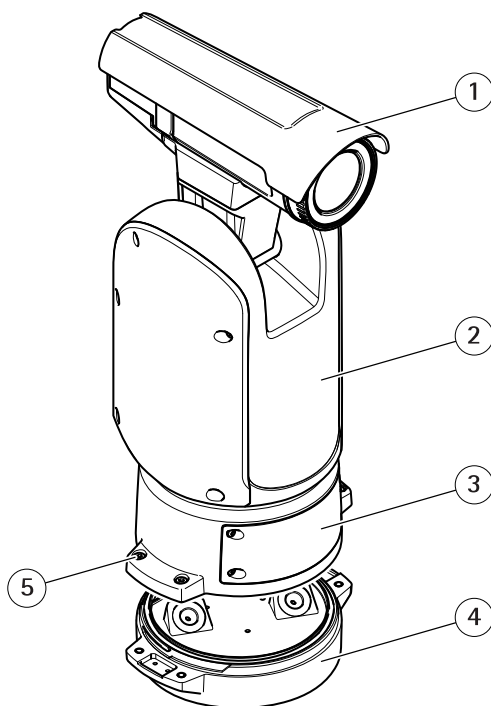
- Any losses in the power cable disregarded.
- No positioning active.
- Temperature at 25 °C (77 °F) with all heaters off.
- One H.264 stream at maximum resolution.
- MJPEG stream recorded to SD card.

Contenu de l'emballage

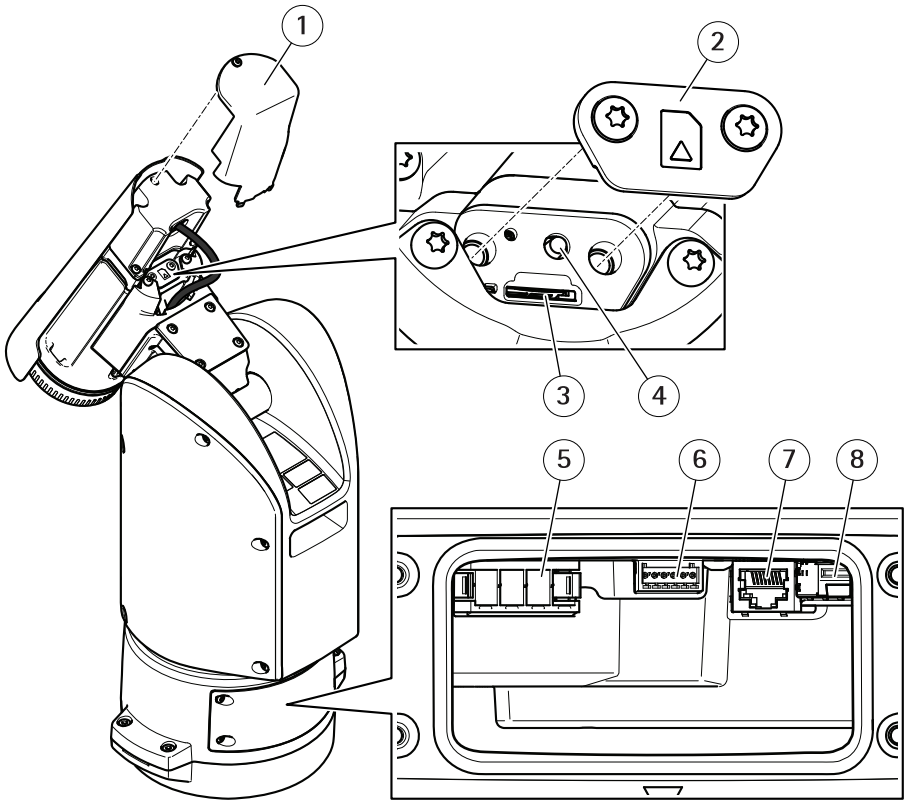
- Caméra réseau thermique PT Q8641-E ou AXIS Q8642-E
- Connecteur d'alimentation
- Connecteur E/S
- Torx® embout T20 et T30
- Documents imprimés
 - Guide d'installation (ce document)
 - Étiquette supplémentaire de numéro de série (x2)
 - Clé d'authentification AVHS

Vue d'ensemble du produit

Pour connaître les caractéristiques des composants matériels, consultez *Caractéristiques* page 54



- 1 Pare-soleil
- 2 Positionnement de la caméra
- 3 Couvercle
- 4 Unité de base
- 5 vis de l'unité de base



- 1 Couverture arrière
- 2 Couverture de carte SD
- 3 Emplacement pour carte SD
- 4 Bouton de commande
- 5 Connecteur d'alimentation
- 6 Connecteur E/S
- 7 Connecteur RJ45
- 8 Emplacement SFP pour module SFP (module SFP non inclus)

Comment installer le produit


⚠ DANGER

Risque de choc électrique. Tous les câbles doivent être hors tension avant d'installer le produit.


⚠ ATTENTION

Les connexions électriques et les installations de conduites doivent être effectuées par un électricien certifié et conformément aux réglementations locales.

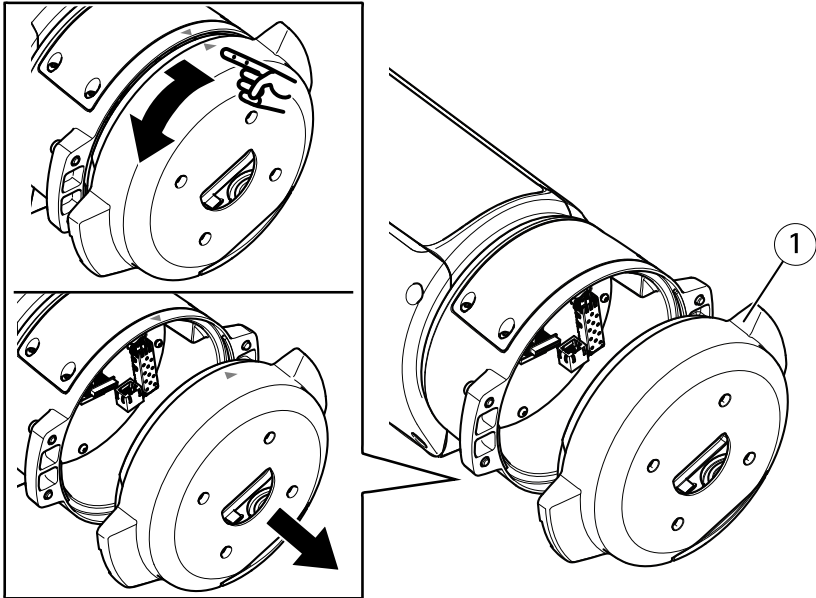
⚠ ATTENTION

 Risques de blessures. Pièces mobiles. Restez à l'écart du produit lorsqu'il est en cours de fonctionnement. Débranchez l'alimentation électrique avant d'installer le produit ou d'effectuer son entretien.

⚠ ATTENTION

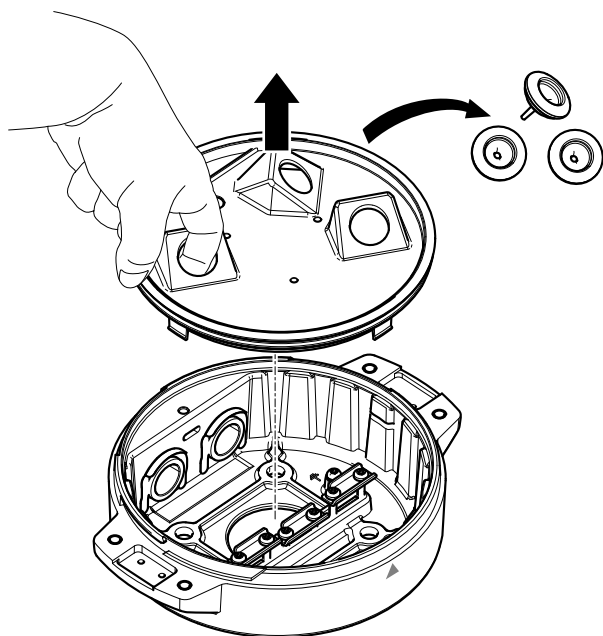
 Risques de blessures. Surfaces chaudes. Ne touchez pas le produit lorsqu'il est en cours de fonctionnement. Débranchez l'alimentation électrique et laissez les surfaces refroidir avant d'effectuer l'entretien du produit.

Montage de l'unité de base



1 Unité de base

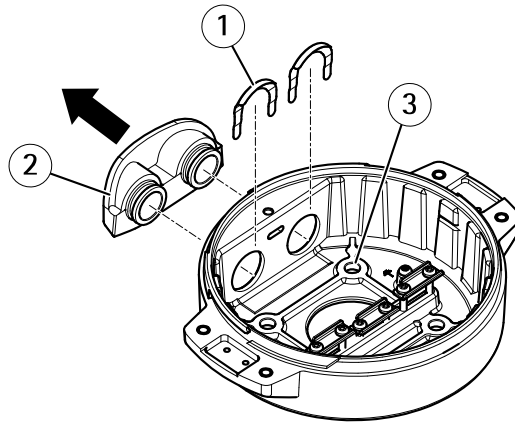
1. Déposer les quatre vis de l'unité (T30).
2. Tirez et tournez simultanément l'unité de base dans le sens anti-horaire jusqu'à ce que les flèches sur l'unité de base et le reste de l'unité soient alignées.
3. Déposez l'unité de base.



AVIS

Ne pas utiliser d'outils tranchants lors de la dépose du couvercle transparent de l'unité de base.

4. Déposez le couvercle transparent de l'unité de base.



- 1 *Clip du cache de conduit*
- 2 *Cache de conduit*
- 3 *Trou de vis (x4)*

5. Pour des installations de conduit uniquement : déposer les deux clips du cache de conduit suivis par le cache du conduit.
6. Fixez l'unité de base à la surface de montage en utilisant les éléments de fixation appropriés dans les quatre trous de vis.

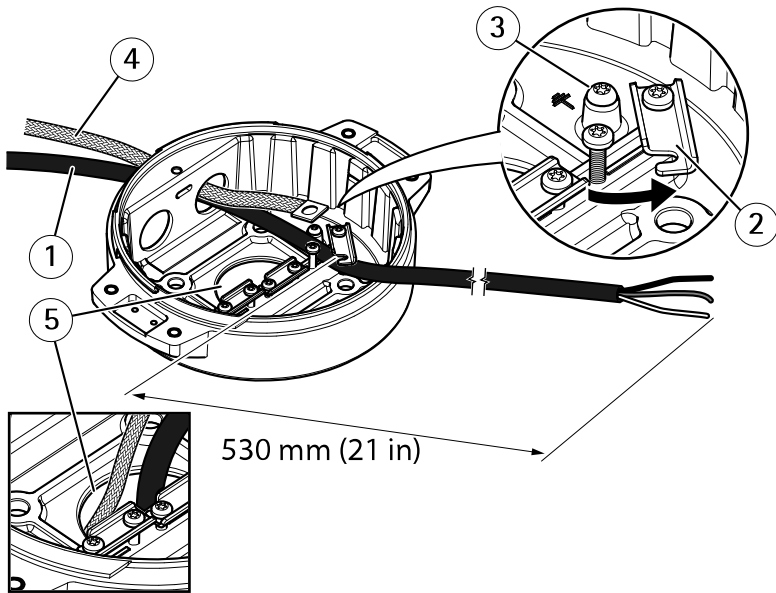
Acheminement des câbles

⚠ AVERTISSEMENT

Risque de choc électrique. Le produit doit être mis à la terre à l'aide du câble de protection de mise à la terre du câble d'alimentation et de la tresse de terre. Assurez-vous que les deux extrémités du câble de protection de mise à la terre et la tresse de terre sont en contact avec les surfaces de mise à la terre correspondantes.

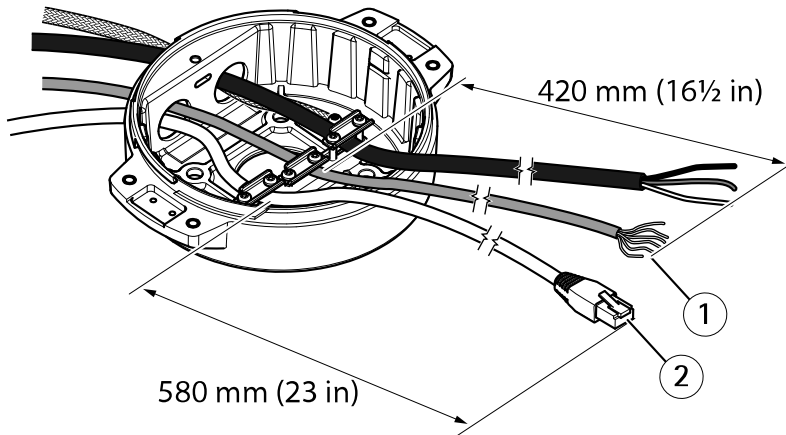
Important

Utilisez uniquement des câbles conformes à la zone spécifiée. Pour en savoir plus, consultez *Épaisseur du câble page 57*.



- 1 Câble d'alimentation (non fourni)
- 2 Réducteur de tension
- 3 vis de mise à la terre
- 4 Tresse de terre (non fournie)
- 5 passage du câble inférieur

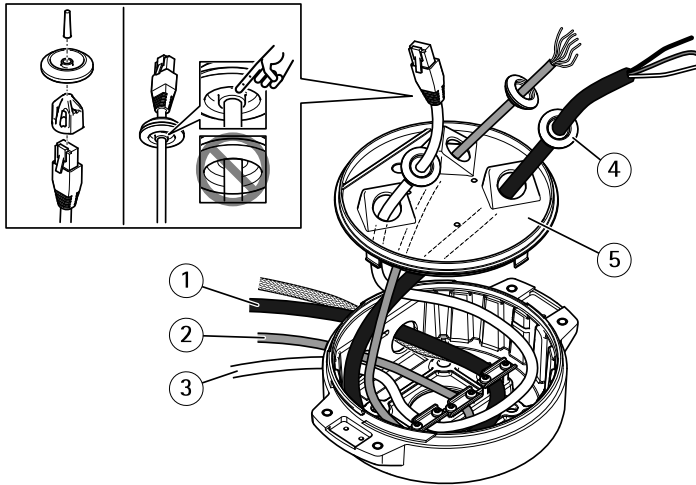
1. Installez les adaptateurs de conduit en option (non fournis).
2. Reliez la tresse de terre à la vis de mise à la terre.
3. Insérez le câble d'alimentation, le câble d'E/S et le câble réseau à travers l'orifice de l'unité de base comme illustré ci-dessus. Vous pouvez aussi les insérer dans l'orifice du câble inférieur.
4. Insérez le câble d'alimentation à travers le réducteur de tension avec une distance de 530 mm (21 po) depuis le réducteur de tension jusqu'à l'extrémité du câble.



FR

- 1 Câble E/S (en option, non fourni)
- 2 Câble réseau (non inclus)

5. Insérez le câble d'E/S (en option) à travers le réducteur de tension avec une distance de 420 mm (16½ po) depuis le réducteur de tension jusqu'à l'extrémité du câble.
6. Insérez le câble réseau (câble fibre optique et/ou câble RJ45) à travers le réducteur de tension avec une distance de 580 mm (23 po) depuis le réducteur de tension jusqu'à l'extrémité du connecteur. Pour plus d'informations sur les différentes options de connectivité réseau, consultez *Installation de la liaison réseau* page 49.
7. Fermez et serrez les trois reliefs de traction.



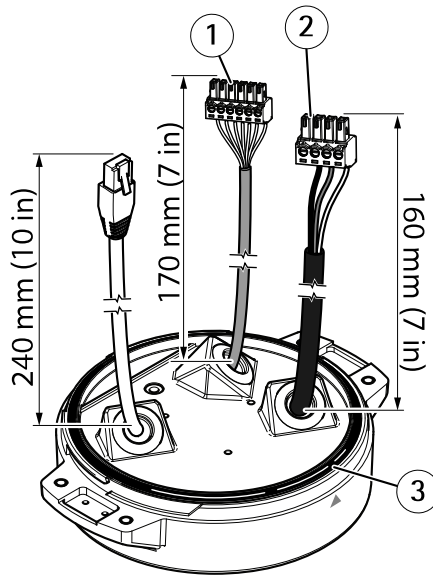
- 1 Câble d'alimentation (non inclus)
- 2 Câble E/S (en option, non fourni)
- 3 Câble réseau (non inclus)
- 4 Joint de câble
- 5 Couvercle transparent de l'unité de base

8. Placez les joints sur les câbles. Cf. *Épaisseur du câble* page 57.
9. Insérez les câbles d'alimentation, d'E/S et réseau y compris les joints à travers les orifices du couvercle transparent de l'unité de base et disposez les câbles comme illustré ci-dessus.

AVIS

Si vous utilisez un câble à fibre optique et un câble RJ45 pour la connectivité réseau, acheminez le câble à fibre optique à travers le même joint que le câble d'E/S. Appliquez un joint entre les câbles et le joint de câble pour empêcher toute fuite. Pour plus d'informations sur les options de connectivité réseau, voir *Installation de la liaison réseau* page 49.

10. Remplacez le couvercle transparent de l'unité de base sur celle-ci et placez les joints dans les orifices.



- 1 Connecteur E/S
- 2 Connecteur d'alimentation
- 3 Joint torique

AVIS

Pour éviter toute déconnexion intempestive, le câble de protection de mise à la terre doit être plus long d'environ 10 mm (3/8 po) que les deux autres fils (dans le câble d'alimentation).

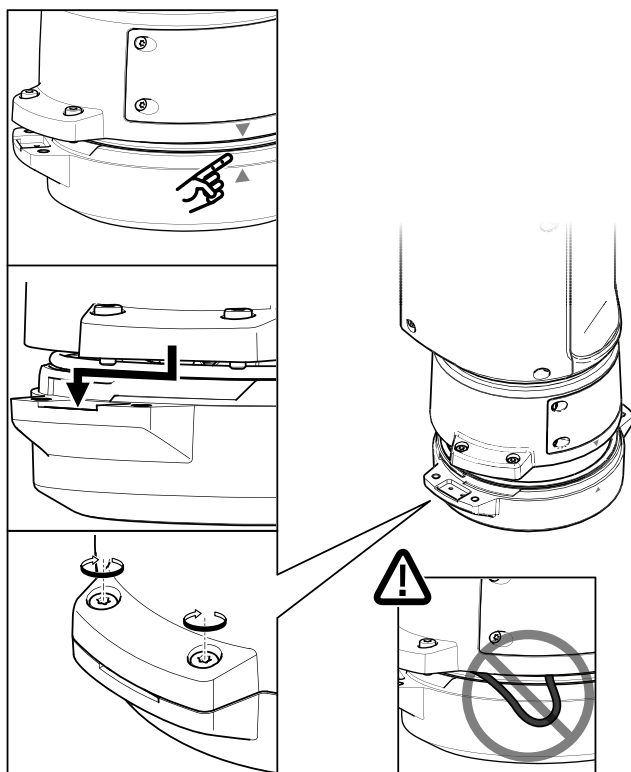
Note

Nous vous recommandons de dénuder environ 90 mm (3½ po) de la gaine du câble d'alimentation et 70 mm (2¾ po) de la gaine de câble d'E/S pour une installation plus facile.

11. Pour installer les connecteurs d'alimentation et d'E/S, voir *Connecteurs* page 55.
12. Réglez les câbles réseau, d'E/S et d'alimentation de sorte que la distance depuis le joint du câble jusqu'à l'extrémité du connecteur soit respectivement de 240 mm (10 po), 170 mm (7 po) et 160 mm (7 po).

AVIS

Assurez-vous que les joints toriques sont correctement fixés autour du couvercle transparent de l'unité de base.

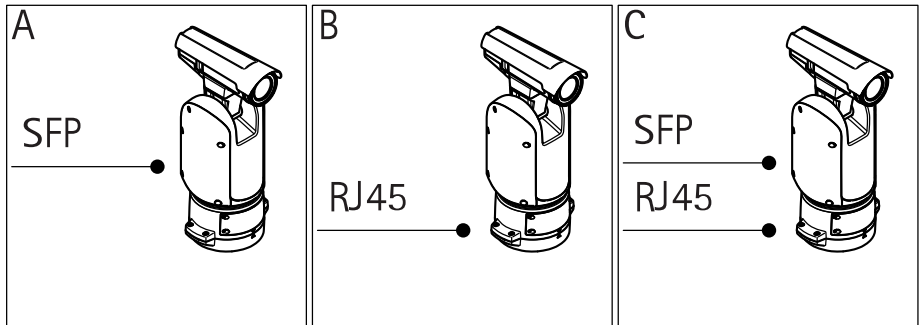


13. Replacez l'unité de positionnement sur l'unité de base en vous assurant que les flèches sur les deux unités sont alignées.
14. Tournez l'unité de positionnement dans le sens des aiguilles d'une montre jusqu'à sa position d'origine et serrez les quatre vis de l'unité de base (couple de 3 Nm).

AVIS

Assurez-vous de ne pas pincer les câbles lors du montage des deux unités.

Installation de la liaison réseau



FR

Vous disposez de plusieurs options pour installer la liaison réseau :

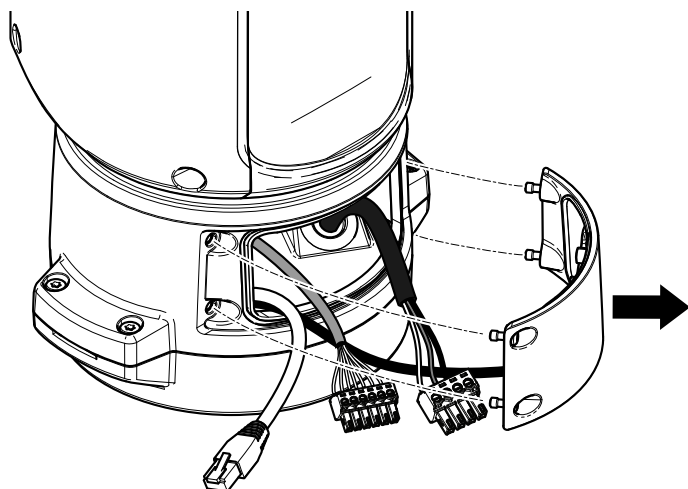
- A : via un câble à fibre optique ou un câble RJ45 raccordé au module SFP (avec connecteur correspondant) sur l'emplacement SFP.
- B : via un câble RJ45 raccordé au connecteur RJ45 fixe.
- C : via les deux solutions ci-dessus, auquel cas le raccordement via le module SFP fonctionne comme la liaison réseau primaire et le raccordement via le connecteur RJ45 fixe comme la liaison de secours.

Pour plus d'informations sur les emplacements des connecteurs réseau, voir *Connecteurs* page 55.

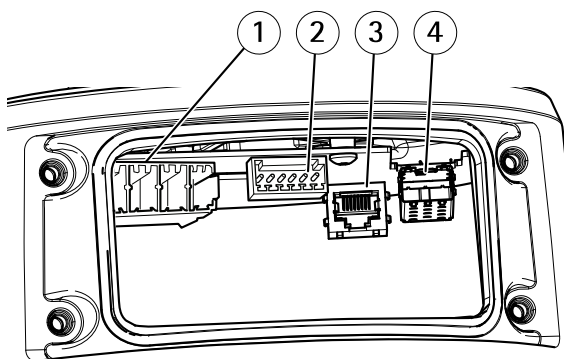
Note

- Le module SFP n'est pas fourni. Pour plus d'informations sur les modules SFP, consultez le site www.axis.com
- L'établissement d'une liaison réseau uniquement via le câble à fibre optique à l'aide du module SFP respectif fonctionne comme une solution autonome pour les installations de câblage longue distance.

Branchez les câbles



1. Desserrez les quatre vis du couvercle (T20) et retirez le couvercle.



- 1 *Connecteur d'alimentation d'entrée*
- 2 *Connecteur E/S*
- 3 *Connecteur RJ45*
- 4 *Emplacement SFP pour module SFP (module SFP non inclus)*

2. Branchez le câble réseau (fibre optique et/ou RJ45), E/S et d'alimentation. Pour plus d'informations sur les options de connectivité réseau, voir *Installation de la liaison réseau* page 49.

3. Remplacez le couvercle, puis serrez les quatre vis du couvercle (couple de serrage 3,0 Nm).
4. Mettez le produit sous tension.

Installation d'une carte SD (facultatif)

Une carte microSD standard ou à haute capacité (non fournie) peuvent être utilisées pour sauvegarder des enregistrements localement. Consultez *Vue d'ensemble du produit page 38* avant d'installer la carte SD.

FR

1. Déconnectez l'alimentation de l'appareil.
2. Déposez les vis du couvercle arrière et retirez le couvercle arrière.
3. Déposez les vis du couvercle de la carte SD et déposez le couvercle de la carte SD.
4. Insérez une carte microSD dans l'emplacement pour carte SD, voir *Vue d'ensemble du produit page 38*.
5. Fixez le couvercle de la carte SD, puis serrez les quatre vis du couvercle (couple de serrage 1,0 Nm).
6. Fixez le couvercle arrière, puis serrez la vis (couple de serrage 1,0 Nm).
7. Remettez le produit sous tension.


Comment accéder au produit

Pour trouver les périphériques Axis présents sur le réseau et leur attribuer des adresses IP sous Windows®, utilisez AXIS IP Utility ou AXIS Device Manager. Ces applications sont gratuites et peuvent être téléchargées via axis.com/support


Pour plus d'informations sur l'utilisation du produit, consultez le Manuel de l'utilisateur disponible sur axis.com

Réinitialiser les paramètres par défaut

⚠ ATTENTION

 Risque de blessure. Pièces mobiles. Restez à l'écart du produit lorsqu'il est fonctionnant. Débranchez l'alimentation électrique avant d'installer le produit ou d'effectuer son entretien.

⚠ ATTENTION

 Risques de blessures. Surfaces chaudes. Ne touchez pas le produit lorsqu'il est en cours de fonctionnement. Débranchez l'alimentation électrique et laissez les surfaces refroidir avant d'effectuer l'entretien du produit.

Important

La reinitialisation des valeurs par défaut doit être effectuée avec prudence. Cette opération reconfigure tous les paramètres, y compris l'adresse IP, aux valeurs d'usine par défaut.

Reportez-vous à *Vue d'ensemble du produit* page 38 avant la réinitialisation. Pour réinitialiser l'appareil aux paramètres d'usine par défaut :

1. Déconnectez l'alimentation de l'appareil.
2. Desserrez les vis du couvercle arrière et retirez le couvercle arrière.
3. Desserrez les vis fixant le couvercle de la carte SD et retirez le couvercle de la carte SD.
4. Maintenez le bouton de commande enfoncé et remettez l'appareil sous tension.
5. Maintenez le bouton de commande enfoncé pendant 15 à 30 secondes, jusqu'à ce que le voyant d'état passe à l'orange et clignote.
6. Relâchez le bouton de commande. Le processus est terminé lorsque le voyant d'état passe au vert. Les paramètres d'usine par défaut de l'appareil ont été rétablis. En l'absence d'un serveur DHCP sur le réseau, l'adresse IP par défaut est 192.168.0.90.
7. Fixez le couvercle de la carte SD, puis serrez les quatre vis du couvercle (couple de serrage 1,0 Nm).
8. Fixez le couvercle arrière, puis serrez la vis (couple de serrage 1,0 Nm).
9. Utilisez les outils d'installation et de gestion pour attribuer une adresse IP, configurer le mot de passe et accéder au flux de données vidéo.

Les logiciels d'installation et de gestion sont disponibles sur les pages d'assistance du site www.axis.com/support

Informations complémentaires

- Pour obtenir la version la plus à jour de ce document, voir axis.com
- Le manuel d'utilisateur est disponible sur le site axis.com
- Pour vérifier s'il existe un firmware mis à jour pour votre appareil, voir axis.com/support
- Pour accéder à des formations et webinaires en ligne utiles, voir axis.com/academy

Accessoires en option

Pour une liste complète des accessoires disponibles pour ce produit, accédez à la page du produit sur axis.com et sélectionnez Logiciel et accessoires.

Informations sur la garantie

Pour plus d'informations sur la garantie du produit Axis et des informations connexes, rendez-vous sur axis.com/warranty.

Caractéristiques

Pour obtenir la dernière version de la fiche technique du produit, rendez-vous sur la page du produit sur le site axis.com et trouvez l'option **Support & Documentation (Assistance et documentation)**.

Voyants

LED de statut	Indication
Éteinte	Branchement et fonctionnement normaux.
Vert	Branchement et fonctionnement normaux.
Orange	Fixe pendant le démarrage. Clignote pendant les mises à niveau du microprogramme ou le rétablissement des valeurs par défaut configurées en usine.
Orange / Rouge	Clignote en orange/rouge en cas d'indisponibilité ou de perte de la connexion réseau.
Rouge	Échec de la mise à niveau du firmware.

Fente pour carte SD

⚠ATTENTION



Risques de blessures. Pièces mobiles. Restez à l'écart du produit lorsqu'il est en cours de fonctionnement. Débranchez l'alimentation électrique avant d'installer le produit ou d'effectuer son entretien.

⚠ATTENTION



Risques de blessures. Surfaces chaudes. Ne touchez pas le produit lorsqu'il est en cours de fonctionnement. Débranchez l'alimentation électrique et laissez les surfaces refroidir avant d'effectuer l'entretien du produit.

AVS

- Risque de dommages à la carte SD. N'utilisez pas d'outils tranchants ou d'objets métalliques pour insérer ou retirer la carte SD, et ne forcez pas lors son insertion ou de son retrait. Utilisez vos doigts pour insérer et retirer la carte.
- Risque de perte de données et d'enregistrements corrompus. Ne retirez pas la carte SD pendant que le produit fonctionne. Démontez la carte SD de la page Web du produit avant le retrait.

Ce produit est compatible avec les cartes microSD/microSDHC/microSDXC.

Pour des recommandations sur les cartes SD, rendez-vous sur axis.com.

Boutons

Bouton de commande

Pour connaître l'emplacement du bouton de commande, consultez *Vue d'ensemble du produit* page 38.

Le bouton de commande permet de réaliser les opérations suivantes :

- Réinitialisation du produit aux paramètres d'usine par défaut. Cf. page 52.
- Connexion au service du Système d'hébergement vidéo AXIS. Pour en savoir plus sur ce service, consultez le site axis.com.

Connecteurs

Connecteur réseau

Connecteur Ethernet RJ45.

Connecteur SFP.

AVIS

Le produit doit être connecté à l'aide d'un câble réseau blindé (STP) ou d'un câble à fibres optiques. Tous les câbles reliant le produit au commutateur réseau doivent être destinés à leur usage spécifique. Assurez-vous que les périphériques réseau sont installés conformément aux instructions du fabricant. Pour plus d'informations sur les exigences réglementaires, consultez *Electromagnetic compatibility (EMC) on page 8*.

Connecteur d'E/S

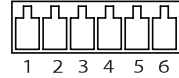
Utilisez le connecteur d'E/S avec des périphériques externes, associés aux applications telles que la détection de mouvement, le déclenchement d'événements et les notifications d'alarme. En plus du point de référence 0 V CC et de l'alimentation (sortie CC), le connecteur d'E/S fournit une interface aux éléments suivants :

Entrée numérique – Pour connecter des dispositifs pouvant passer d'un circuit ouvert à un circuit fermé, par exemple capteurs infrarouge passifs, contacts de porte/fenêtre et détecteurs de bris de verre.

Sortie numérique – Permet de connecter des dispositifs externes, comme des relais ou des voyants. Les appareils connectés peuvent être activés par l'interface de programmation VAPIX® ou à partir de la page Web du produit.

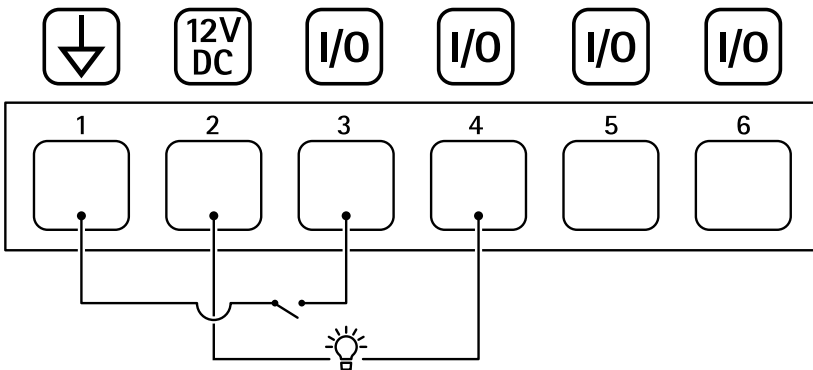
AXIS Q.86 Series

Bloc terminal configurable à 6 broches



Fonction	B-roche	Remarques	Caractéristiques
Masse du CC	1		0 V CC
Sortie CC	2	Peut servir à alimenter le matériel auxiliaire. Remarque : cette broche ne peut être utilisée que comme sortie d'alimentation.	12 V CC Charge max. = 50 mA
Configurable (entrée ou sortie)	3-6	Entrée numérique - Connectez-vous à la broche 1 pour activer ou laisser non connecté pour désactiver.	0 à 30 V CC max.
		Sortie numérique - Connexion interne à la broche 1 (terre CC) en cas d'activation, et flottante (déconnectée) en cas de désactivation. En cas d'utilisation avec une charge inductive, par exemple un relais, connectez une diode en parallèle à la charge pour assurer la protection contre les transitoires de tension.	0 à 30 V CC max., drain ouvert, 100 mA

Exemple



- 1 Masse du CC
- 2 Sortie CC 12 V, maxi. 50 mA

- 3 Entrée/sortie configurée comme entrée
- 4 Entrée/sortie configurée comme sortie
- 5 E/S configurable
- 6 E/S configurable

FR

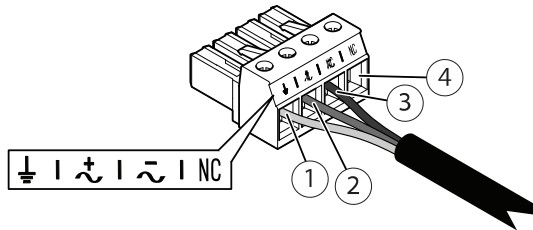
Connecteur d'alimentation

Bloc terminal à 4 broches pour l'alimentation.

Connecteur d'alimentation 24 V CA/CC

AVIS

Cette section concerne les produits alimentés en 24 V CA et 24 V CC uniquement.



Ce tableau concerne uniquement les connecteurs d'alimentation 24 V CA et 24 V CC.

Position	24 V CA	24 V CC
1	Terre de protection	Terre de protection
2	Phase 24 V CA	+ 24 V
3	24 V CA Neutre	0 V
4	Non connecté	Non connecté

Câbles

Épaisseur du câble

Le diamètre du câble, lors de l'utilisation de joints de câble fournis avec le produit, doit être comprise entre 5 et 11 mm (0,2 à 0,4 po).

AVIS

- Utilisez des câbles adaptés à la zone spécifiée

- Sélectionnez des câbles conformes à la législation locale
- Assurez-vous que les passages de câbles sont correctement scellés
- Utilisez des joints de câble et des presse-étoupes adaptés aux passages de câbles et à la zone de câble

Pour plus d'informations sur les accessoires, tels que les joints de câble et les presse-étoupes adaptés à d'autres zones de câble, consultez www.axis.com

Conditions d'utilisation

Le produit Axis est destiné à un usage en intérieur et en extérieur.

Température	Humidité
Fonctionnement : De -40°C à 60°C (-40°F à 140°F)	Humidité relative de 10 à 100 % (sans condensation)

Consommation d'énergie

Produit	Consommation standard	Consommation maxi.
AXIS Q8641-E 24 V CA/CC*	16 W	182 W
AXIS Q8642-E 24 V CA/CC*		

Important

*En cas d'utilisation d'un câble AXIS de 22 m (72 pi) 24 V CC/24-240 V CA, une alimentation capable de fournir 220 W est nécessaire pour compenser la perte d'alimentation dans le câble.

AVIS

Les valeurs de consommation électrique standard sont basées sur les éléments suivants :

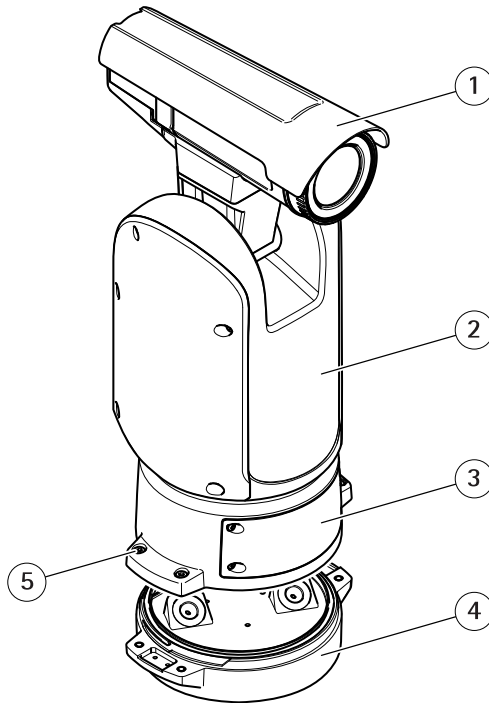
- Toutes les pertes dans le câble d'alimentation sont ignorées.
- Aucun positionnement actif.
- Température à 25°C (77°F) avec tous les régulateurs de chaleur éteints.
- Un flux H.264 à résolution maximale.
- Flux MJPEG enregistré sur la carte SD.

Lieferumfang

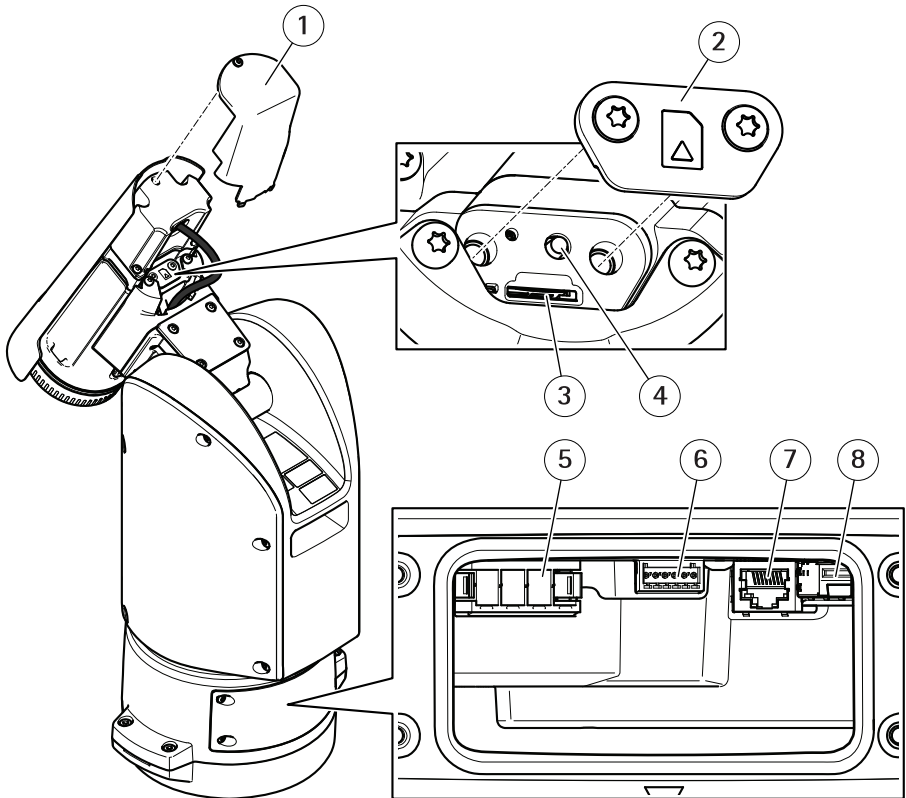
- AXIS Q8641-E oder AXIS Q8642-E PT Wärmebildkamera
- Netzanschluss
- E/A-Anschluss
- Torx® Set T20 und T30
- Gedruckte Dokumente
 - Installationsanleitung (dieses Dokument)
 - Zusätzliche Etiketten mit der Seriennummer (2 x)
 - AVHS-Authentifizierungsschlüssel

Produktübersicht

Die technischen Daten für Hardware-Komponenten finden Sie unter *Technische Daten auf Seite 76*.



- 1 *Sonnenblende*
- 2 *Positionierbare Kamera*
- 3 *Deckel*
- 4 *Gerätebasis*
- 5 *Schrauben der Gerätebasis*



- 1 Hinterer Deckel
- 2 SD-Speicherkartendeckel
- 3 SD-Speicherkarteneinschub
- 4 Steuertaste
- 5 Stromversorgungsanschluss Eingang
- 6 E/A-Anschluss
- 7 RJ-45-Anschluss
- 8 SFP-Einschub für SFP-Module (SFP-Modul nicht enthalten)

Installieren des Produkts

⚠GEFAHR

Stromschlaggefahr Vor der Installation oder Wartung des Produkts müssen alle Kabel von der Stromversorgung abgeklemmt werden.

⚠VORSICHT

Die Installation der elektrischen Anschlüsse und Kabelkanäle darf nur von einem zugelassenen Elektriker in Übereinstimmung mit den geltenden Bestimmungen vorgenommen werden.

⚠VORSICHT



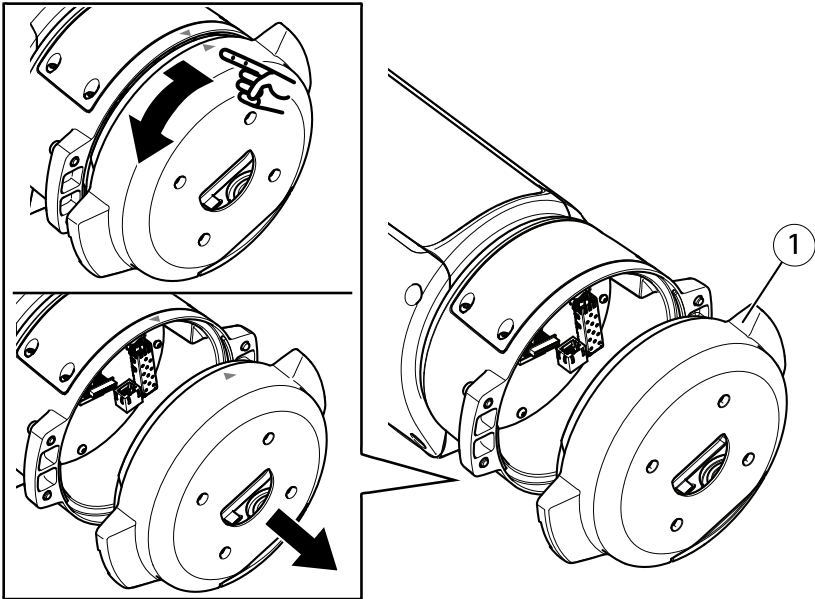
Verletzungsgefahr Gefahr durch bewegliche Teile Körperteile während des Betriebs vom Produkt fernhalten. Vor der Installation oder Wartung des Produkts alle Kabel von der Stromversorgung abklemmen.

⚠VORSICHT



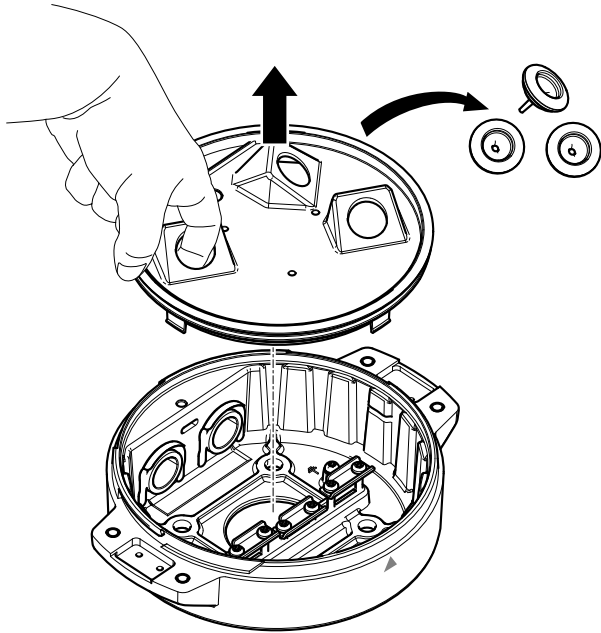
Verletzungsgefahr Heiße Oberfläche Das Produkt während des Betriebs nicht berühren. Vor der Wartung des Produkts die Oberflächen abkühlen lassen.

Montieren der Gerätebasis



1 Gerätebasis

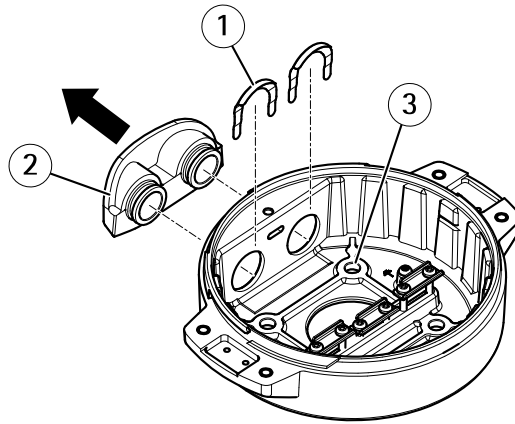
1. Die vier Schrauben (T30) der Gerätebasis entfernen.
2. Die Gerätebasis gleichzeitig ziehen und gegen den Uhrzeigersinn drehen, bis die Pfeile auf der Gerätebasis und dem Rest des Geräts in einer Linie stehen.
3. Die Gerätebasis entfernen.



HINWEIS

Beim Entfernen der transparenten Abdeckung der Gerätebasis keine spitzen Werkzeuge verwenden.

4. Die transparente Abdeckung der Gerätebasis entfernen.



DE

- 1 Klammer der Kabelführung
- 2 Abdeckung der Kabelführung
- 3 Schraubenbohrung (4 x)

5. Nur bei Installationen über die Kabelführung: Zuerst die beiden Klammern der Kabelführung und anschließend die Abdeckung der Kabelführung entfernen.
6. Die Gerätebasis mit geeigneten Befestigungselementen für die vier Schraubenbohrungen an der Befestigungsfläche anbringen.

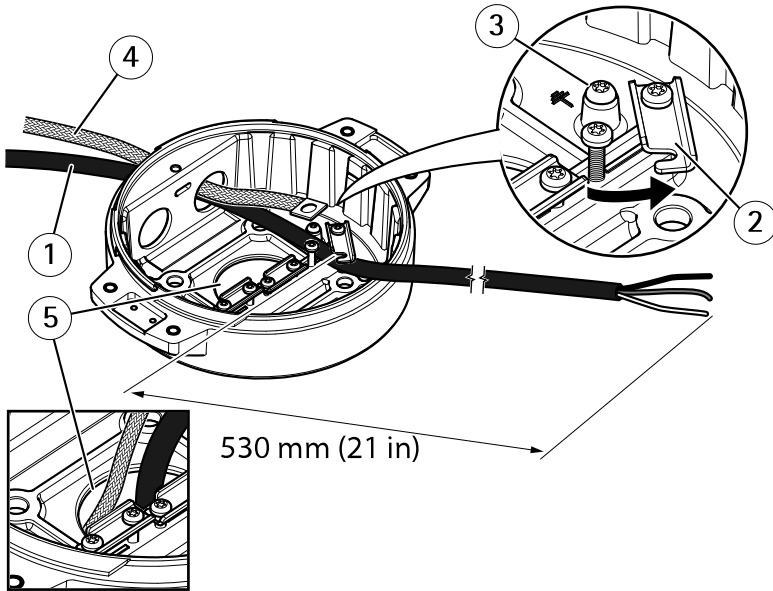
Die Kabel verlegen

▲WARNUNG

Stromschlaggefahr Das Produkt muss geerdet werden. Dazu müssen sowohl der Schutzleiter im Stromversorgungskabel als auch das Erdungsband verwendet werden. Sicherstellen, dass beide Enden des Schutzleiters und des Erdungsbandes Kontakt mit den entsprechenden Erdungsflächen haben.

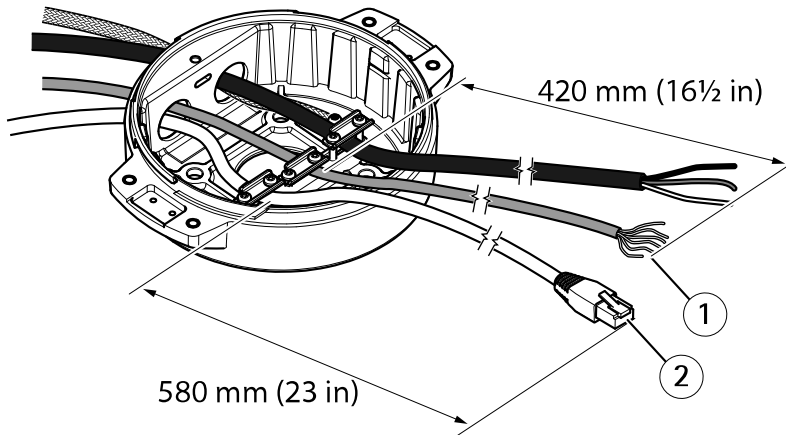
Wichtig

Nur Kabel mit dem vorgegebenen Kabelquerschnitt verwenden. Weitere Informationen finden Sie unter *Kabelstärke auf Seite 79*.



- 1 Stromversorgungskabel (nicht im Lieferumfang enthalten)
- 2 Zulentlastung
- 3 Masseschraube
- 4 Erdungsband (nicht im Lieferumfang enthalten)
- 5 Kabelöffnung unten

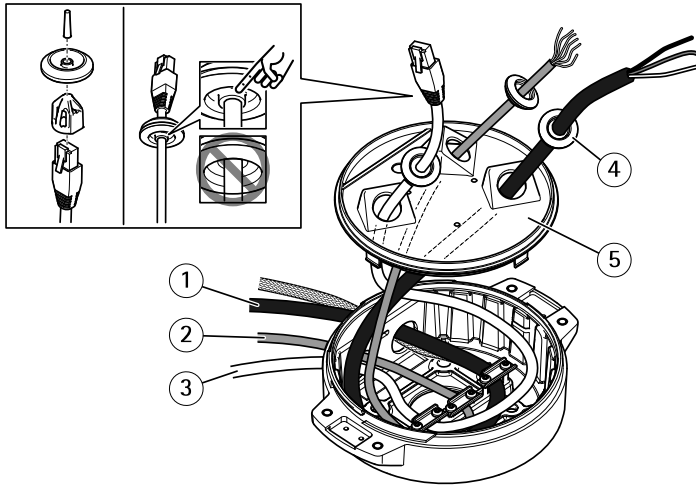
1. Die optionalen Kabelführungsadapter installieren (nicht im Lieferumfang enthalten).
2. Das Erdungskabel mit der Erdungsschraube befestigen.
3. Die Kabel für Stromversorgung, Netzwerk und E/A einschließlich der Kabelverschraubungen wie in der Abbildung oben durch die Öffnung des Basisgeräts führen. Alternativ die Kabel durch die untere Kabelöffnung einführen.
4. Das Stromversorgungskabel durch die Zulentlastung führen. Dabei eine Länge von 530 mm zwischen Zulentlastung und Kabelende einhalten.



DE

- 1 E/A-Kabel (optional, nicht im Lieferumfang enthalten)
- 2 Netzwerkkabel (nicht im Lieferumfang enthalten)

5. Das E/A-Kabel (optional) durch die Zugentlastung führen. Dabei eine Länge von 420 mm zwischen Zugentlastung und Kabelende einhalten.
6. Das Netzwerkkabel (Glasfaser oder Kabeltyp RJ-45) durch die Zugentlastung führen. Dabei eine Länge von 580 mm zwischen Zugentlastung und Anschlussende einhalten. Weitere Informationen zu den verschiedenen Anschlussoptionen an das Netzwerk, siehe *Einrichten der Netzwerkverbindung auf Seite 71*.
7. Die drei Zugentlastungen schließen und anziehen.



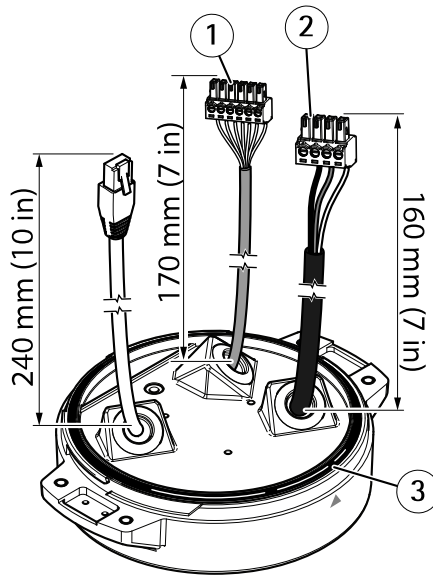
- 1 Stromversorgungskabel (nicht im Lieferumfang enthalten)
- 2 E/A-Kabel (optional, nicht im Lieferumfang enthalten)
- 3 Netzkabel (nicht im Lieferumfang enthalten)
- 4 Kabeldichtung
- 5 Transparente Abdeckung der Gerätebasis

8. Die Kabeldichtungen auf die Kabel schieben. Siehe *Kabelstärke auf Seite 79*.
9. Die Kabel für Stromversorgung, Netzwerk und E/A einschließlich der Kabeldichtungen durch die Öffnungen der transparenten Abdeckung der Gerätebasis führen und die Kabel wie in der Abbildung oben dargestellt ausrichten.

HINWEIS

Wird sowohl ein Glasfaserkabel als auch ein Kabel des Typs RJ-45 verwendet, das Glasfaserkabel durch dieselbe Kabeldichtung führen wie das E/A-Kabel. Gegen das Eindringen von Feuchtigkeit zwischen Kabeln und Kabeldichtung ein Dichtmittel verwenden. Weitere Informationen zu verschiedenen Anschlussoptionen an das Netzwerk, siehe *Einrichten der Netzwerkverbindung auf Seite 71*.

10. Die transparente Abdeckung der Gerätebasis wieder aufsetzen und die Kabeldichtungen in die Öffnungen schieben.



- 1 E/A-Anschluss
- 2 Netzanschluss
- 3 O-Ring

DE

HINWEIS

Sicherstellen, dass die Erdungsleitung etwa 10 mm länger ist als die beiden anderen Leitungen (im Stromversorgungskabel), sodass diese bei Zugbelastung nicht unbeabsichtigt getrennt wird.

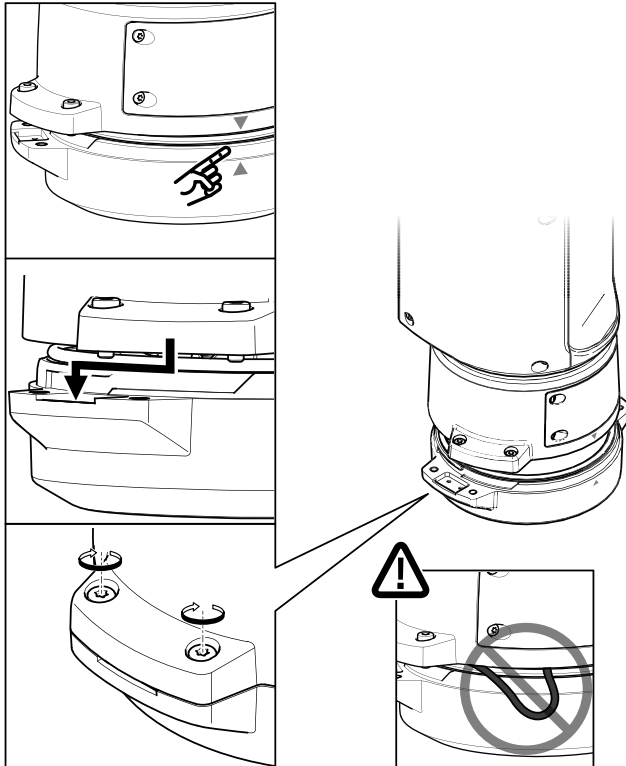
Beachten

Der Einbau wird erleichtert, wenn das Stromversorgungskabel etwa 70 mm und das E/A-Kabel etwa 90 mm abisoliert wird.

11. Zum Einbau der Stromversorgungs- und E/A-Anschlüsse siehe *Anschlüsse auf Seite 77*.
12. Die Kabel für Netzwerk, E/A und Stromversorgung so ausrichten, dass die Länge zwischen Kabeldichtung und Ende des Anschlusses jeweils 240 mm, 170 mm und 160 mm beträgt.

HINWEIS

Sicherstellen, dass der O-Ring richtig um die transparente Abdeckung der Gerätebasis herum eingepasst ist.

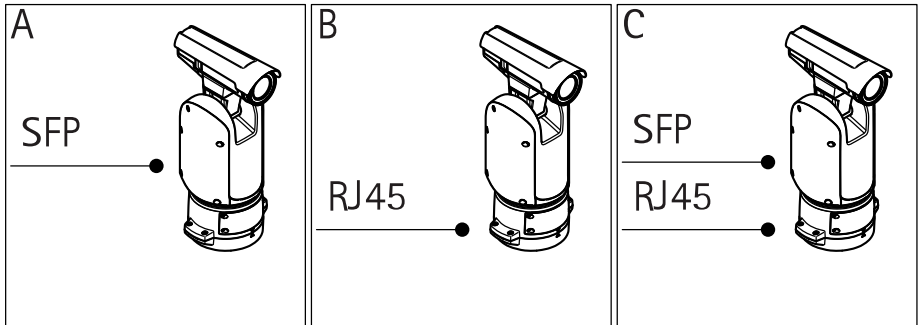


13. Das Positionierungsgerät wieder an der Gerätebasis anbringen und dabei sicherstellen, dass die Pfeile der beiden Geräte in einer Linie stehen.
14. Die Positionierungseinheit im Uhrzeigersinn in ihre Ausgangsstellung drehen und die vier Schrauben der Grundeinheit anziehen (Drehmoment 3,0 Nm).

HINWEIS

Sicherstellen, dass die Kabel beim Zusammenbauen der beiden Geräte nicht gequetscht werden.

Einrichten der Netzwerkverbindung



DE

Es gibt verschiedenen Optionen, die Netzwerkverbindung einzubauen:

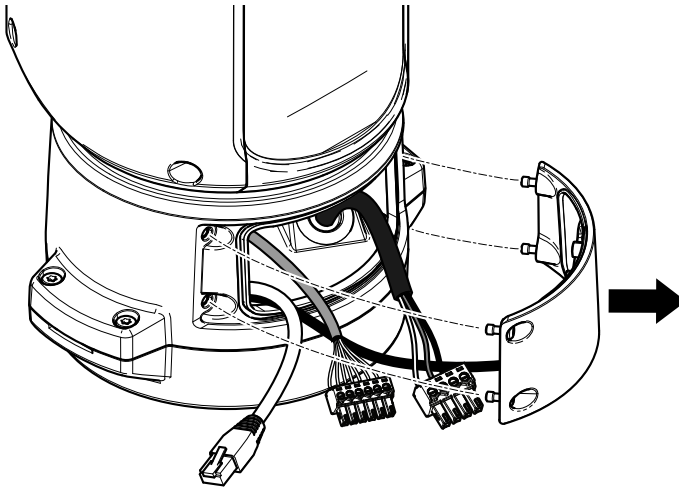
- A: Mithilfe eines Glasfaserkabels oder eines Kabels des Typs RJ-45, das (mit einem entsprechenden Anschluss) an das SFP-Modul im SFP-Einschub angeschlossen wird.
- B: Mithilfe eines Anschlusses des Typs RJ-45 an den festen Anschluss des Typs RJ-45.
- C: Mithilfe beider oben angeführten Möglichkeiten. In diesem Fall agiert der Anschluss über das SFP-Modul als die primäre Netzwerkverbindung und die Verbindung über den festen Anschluss des Typs RJ-45 als Fail-Over-Anschluss.

Weitere Informationen zur Lage der Netzwerksteckverbindungen, siehe *Anschlüsse auf Seite 77*.

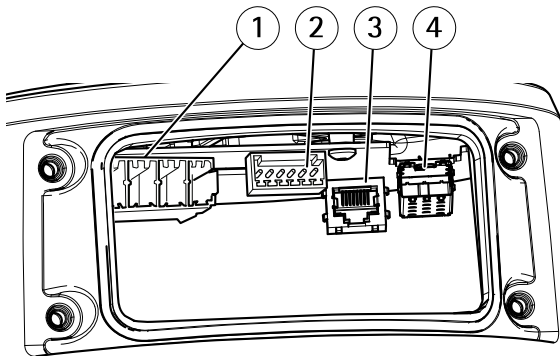
Beachten

- SFP-Modul nicht im Lieferumfang enthalten. Weitere Informationen zu lieferbaren SFP-Modulen, siehe www.axis.com.
- Die Netzwerkverbindung ausschließlich über das Glasfaserkabel mittels des entsprechenden SFP-Moduls dient als eigenständige Lösung für Kabelinstallationen mit großer Reichweite.

Anschließen der Kabel



1. Die vier Deckelschrauben (T20) lösen und den Deckel abnehmen.



- 1 *Stromversorgungsanschluss Eingang*
- 2 *E/A-Anschluss*
- 3 *RJ-45-Anschluss*
- 4 *SFP-Einschub für SFP-Module (SFP-Modul nicht enthalten)*

2. Das Netzwerk (Glasfaser und/oder RJ-45), E/A und die Stromversorgung anschließen
Weitere Informationen zu verschiedenen Anschlussoptionen an das Netzwerk, siehe *Einrichten der Netzwerkverbindung auf Seite 71*.

3. Den Deckel austauschen und die vier Deckelschrauben anziehen (Drehmoment 3,0 Nm).
4. Das Produkt an die Stromversorgung anschließen.

Installieren einer SD-Speicherkarte (optional)

Mit einer Standard-SD-Speicherkarte oder microSD-Speicherkarte mit hoher Kapazität (nicht enthalten) können Aufzeichnungen direkt/lokal auf dem Produkt gespeichert werden. Vor dem Installieren der SD-Speicherkarte *Produktübersicht auf Seite 60* beachten.

1. Das Produkt von der Stromversorgung trennen.
2. Die Schraube des hinteren Deckels entfernen und den Deckel abnehmen.
3. Die Schrauben des SD-Speicherkartendeckels entfernen und den Deckel abnehmen.
4. Zum Einsetzen der microSD-Speicherkarte in den SD-Speicherkarteneinschub siehe *Produktübersicht auf Seite 60*.
5. Den SD-Speicherkartendeckel wieder anbringen und die Schrauben anziehen (Drehmoment 1,0 Nm).
6. Den hinteren Deckel wieder anbringen und die Schraube anziehen (Drehmoment 1,0 Nm).
7. Das Produkt wieder an die Stromversorgung anschließen.

DE

Zugriff auf das Produkt

Ermitteln Sie mit AXIS IP Utility und AXIS Device Manager die Axis-Geräte im Netzwerk und weisen Sie ihnen unter Windows® IP-Adressen zu. Beide Anwendungen sind kostenlos und können von axis.com/support heruntergeladen werden.

Weitere Informationen zur Nutzung dieses Produkts finden Sie im Benutzerhandbuch auf axis.com.

Zurücksetzen auf die Werkseinstellungen

⚠VORSICHT



Verletzungsgefahr Bewegliche Teile Körperteile während des Betriebs vom Produkt fernhalten. Vor der Installation oder Wartung des Produkts alle Kabel von der Stromversorgung abklemmen.

⚠VORSICHT



Verletzungsgefahr Heiße Oberfläche Das Produkt während des Betriebs nicht berühren. Vor der Wartung des Produkts die Oberflächen abkühlen lassen.

Wichtig

Das Produkt mit Umsicht auf die Werkseinstellungen zurücksetzen. Beim Zurücksetzen auf die Werkseinstellungen werden alle Einstellungen einschließlich der IP-Adresse zurückgesetzt.

Vor dem Zurücksetzen ist die *Produktübersicht auf Seite 60* zu berücksichtigen. Um das Produkt auf die Werkseinstellungen zurückzusetzen:

1. Das Produkt von der Stromversorgung trennen.
2. Die Schraube des hinteren Deckels lösen und den Deckel abnehmen.
3. Die Schrauben des SD-Speicherkartendeckels lösen und den Deckel abnehmen.
4. Die Steuertaste drücken und halten und den Netzstecker wieder einstecken.
5. Die Steuertaste etwa 15 bis 30 Sekunden gedrückt halten, bis der Status LED-Indikator gelb blinkt.
6. Lassen Sie die Steuertaste los. Der Vorgang ist abgeschlossen, wenn die Status LED grün leuchtet. Das Produkt wurde auf die Werkseinstellungen zurückgesetzt. Wenn kein DHCP-Server im Netzwerk verfügbar ist, lautet die Standard-IP-Adresse 192.168.0.90.
7. Den SD-Speicherkartendeckel wieder anbringen und die Schrauben anziehen (Drehmoment 1,0 Nm).
8. Den hinteren Deckel wieder anbringen und die Schraube anziehen (Drehmoment 1,0 Nm).
9. Mithilfe der Software-Tools für Installation und Verwaltung eine IP-Adresse zuweisen, ein Kennwort einrichten und auf den Videostream zugreifen.
Die Software-Tools für Installation und Verwaltung sind über die Supportseiten unter www.axis.com/support verfügbar.

Weitere Informationen

- Die aktuelle Version dieses Dokuments finden Sie auf axis.com
- Das Benutzerhandbuch steht auf axis.com zur Verfügung.
- Unter axis.com/support finden Sie die aktuellen Firmwareversionen für Ihr Gerät.
- Nützliches Onlinetraining und Webinare finden Sie unter axis.com/academy.

Optionales Zubehör

Eine vollständige Liste lieferbaren Zubehörs für dieses Produkt finden Sie auf axis.com unter Produkt, Software und Zubehör.

Gewährleistungsinformationen

Informationen zur Gewährleistung für Axis-Produkte und andere in diesem Zusammenhang relevante Informationen finden Sie unter axis.com/warranty.

Technische Daten


Die aktuelle Version des technischen Datenblatts für das Produkt finden Sie auf axis.com unter **Support und Dokumentation**.

LEDs


LED-Statusanzeige	Bedeutung
Leuchtet nicht	Anschluss und Normalbetrieb.
Grün	Anschluss und Normalbetrieb.
Gelb	Leuchtet beim Start. Blinkt während Firmware-Aktualisierung und Wiederherstellung der Werkseinstellungen.
Gelb/rot	Blinkt gelb/rot, wenn die Netzwerkverbindung nicht verfügbar ist oder unterbrochen wurde.
Rot	Aktualisierung der Firmware fehlgeschlagen.

Einschub für SD-Speicherkarte

⚠VORSICHT

 Verletzungsgefahr Gefahr durch bewegliche Teile Körperteile während des Betriebs vom Produkt fernhalten. Vor der Installation oder Wartung des Produkts alle Kabel von der Stromversorgung abklemmen.

⚠VORSICHT

 Verletzungsgefahr Heiße Oberfläche Das Produkt während des Betriebs nicht berühren. Vor der Wartung des Produkts die Oberflächen abkühlen lassen.

HINWEIS

- Gefahr von Schäden an der SD-Karte. Beim Einsetzen oder Entfernen der SD-Karte keine scharfen Werkzeuge oder Gegenstände aus Metall benutzen und keine übermäßige Kraft anwenden. Setzen Sie die Karte per Hand ein. Das Gleiche gilt für das Entfernen.
- Gefahr von Datenverlust und Beschädigung von Aufzeichnungen. Die SD-Karte darf nicht entfernt werden, während das Produkt in Betrieb ist. Erst die SD-Karte über die Produktwebseite trennen, dann ausbauen.

Dieses Axis-Produkt unterstützt Karten des Typs microSD/microSDHC/microSDXC.

Für Empfehlungen zu SD-Karten, siehe axis.com.

Tasten

Steuertaste

Zur Lage der Steuertaste, siehe *Produktübersicht auf Seite 60*.

Die Steuertaste hat folgende Funktionen:

- Zurücksetzen des Produkts auf die Werkseinstellungen. Siehe *Seite 74*.
- Anschließen an einen AXIS Video Hosting System-Service Weitere Informationen zu diesem Dienst finden Sie auf *axis.com*.

Anschlüsse

Netzwerkanschluss

RJ45-Ethernetanschluss.

SFP-Anschluss.

HINWEIS

Das Produkt muss mit einem abgeschirmten Netzkabel (STP) oder einem Glasfaserkabel angeschlossen werden. Alle Kabel, die das Produkt mit dem Netzwerkschalter verbinden, müssen hierfür ausgelegt sein. Stellen Sie sicher, dass die Netzwerkgeräte gemäß den Anweisungen des Herstellers installiert wurden. Informationen zu gesetzlichen Bestimmungen finden Sie unter *Electromagnetic compatibility (EMC) on page 8*.

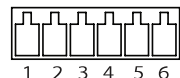
E/A-Anschluss

Über den E/A-Anschluss werden externe Geräte in Verbindung mit Manipulationsalarmen, Bewegungserkennung, Ereignisauslösung, Alarmbenachrichtigungen und anderen Funktionen angeschlossen. Außer dem Bezugspunkt 0 V Gleichstrom und Strom (Gleichstromausgang) besitzt der E/A-Anschluss eine Schnittstelle zum:

Digitaleingang – Zum Anschluss von Geräten, die zwischen geöffnetem und geschlossenem Schaltkreis wechseln können wie etwa PIR-Sensoren, Tür- und Fensterkontakte sowie Glasbruchmelder.

Digitalausgang – Zum Anschluss externer Geräte wie Relais und LEDs. Die angeschlossenen Geräte können über das VAPIX® Application Programming Interface oder über die Produktwebsite aktiviert werden.

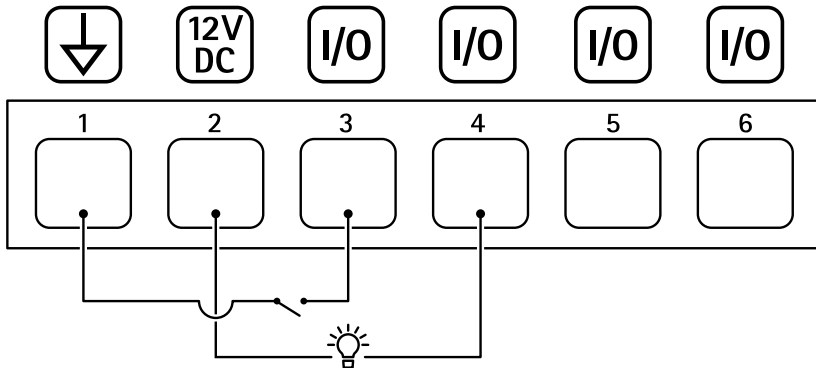
6-poliger konfigurierbarer Anschlussblock



AXIS Q.86 Series

Funktion	Kon-t-akt	Hinweise	Technische Angaben
Erdung Gleichstrom	1		0 V Gleichstrom
Gleichstromausgang	2	Darf für die Stromversorgung von Zusatzgeräten verwendet werden. Hinweis: Dieser Kontakt darf nur für den Stromausgang verwendet werden.	12 V DC Max. Stromstärke = 50 mA
Konfigurierbar (Ein- oder Ausgang)	3-6	Digitaleingang – Zum Aktivieren an Kontakt 1 anschließen, zum Deaktivieren nicht anschließen.	0 bis max. 30 V Gleichstrom
		Digitaler Ausgang – Interne Verbindung mit Kontakt 1 (Gleichstrom Erdschluss), wenn aktiviert; unverbunden, wenn deaktiviert. Bei Verwendung mit einer induktiven Last, wie etwa einem Relais, muss zum Schutz vor Spannungssprüngen eine Diode parallel zur Last geschaltet werden.	0 bis max. 30 V Gleichstrom, Open-Drain, 100 mA

Beispiel



- 1 Erdung Gleichstrom
- 2 Gleichstromausgang 12 V, max. 50 mA
- 3 E/A als Eingang konfiguriert
- 4 E/A als Ausgang konfiguriert
- 5 Konfigurierbarer E/A
- 6 Konfigurierbarer E/A

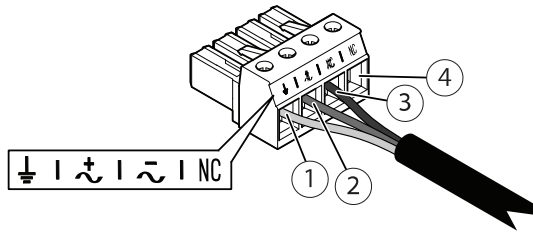
Netzanschluss

4-poliger Anschlussblock für den Stromeingang.

Netzanschluss 24 V, Wechselstrom/Gleichstrom

HINWEIS

Dieser Abschnitt bezieht sich nur auf Produkte mit Stromversorgung 24 V Wechselstrom und 24 V Gleichstrom.



Diese Tabelle bezieht sich nur auf die Stromanschlüsse mit 24 V Wechselstrom und 24 V mit Gleichstrom.

Position	24 V Wechselstrom	24 V Gleichstrom
1	Schutzerde	Schutzerde
2	Phase 24 V Wechselstrom	+ 24 V
3	Nullleiter 24 V Wechselstrom	0 V
4	Nicht verbunden	Nicht verbunden

Kabel

Kabelstärke

Wenn die dem Produkt beiliegenden Kabeldichtungen verwendet werden, muss der Kabeldurchmesser zwischen 5 und 11 mm liegen.

HINWEIS

- Kabel verwenden, die der Querschnittsvorgabe entsprechen.
- Kabel verwenden, die den örtlichen Vorschriften entsprechen.
- Sicherstellen, dass alle Kabeldurchführungen ordnungsgemäß abgedichtet sind.
- Kabeldichtungen oder Kabelverschraubungen verwenden, die sowohl der Kabeldurchführung als auch dem Kabelquerschnitt entsprechen.

AXIS Q86 Series

Für Informationen zu Zubehör wie Kabeldichtungen und Kabelverschraubungen für andere Kabelquerschnitte, siehe www.axis.com.

Betriebsbedingungen

Das Axis Produkt ist für die Verwendung im Innen- und Außenbereich ausgelegt.

Temperatur	Luftfeuchtigkeit
Betrieb: -40 °C bis +60 °C	10 bis 100 % relative Luftfeuchtigkeit (nicht kondensierend)

Leistungsaufnahme

Produkt	Typischer Stromverbrauch	Max. Stromverbrauch
AXIS Q8641-E 24 V Wechselstrom/Gleichstrom*	16 W	182 W
AXIS Q8642-E 24 V Wechselstrom/Gleichstrom*		

Wichtig

* Bei Verwendung des AXIS Kabels 24 V Gleichstrom / 24–240 V Wechselstrom mit 22 m Länge muss das Stromversorgungskabel 220 W liefern können, um Leitungsverluste auszugleichen.

HINWEIS

Die typischen Werte der Leistungsaufnahme basieren auf folgenden Annahmen:

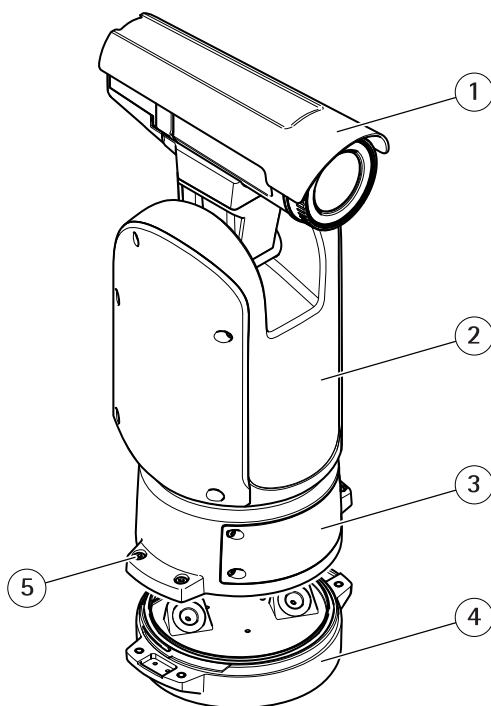
- Leitungsverluste im Stromversorgungskabel werden nicht berücksichtigt.
- Es ist keine Positionierung aktiviert.
- Die Temperatur liegt bei 25 °C, alle Heizungen ausgeschaltet.
- Ein H.264-Stream mit maximaler Auflösung.
- Aufzeichnung eines MJPEG-Streams auf der SD-Speicherkarte.

Contenuto della confezione

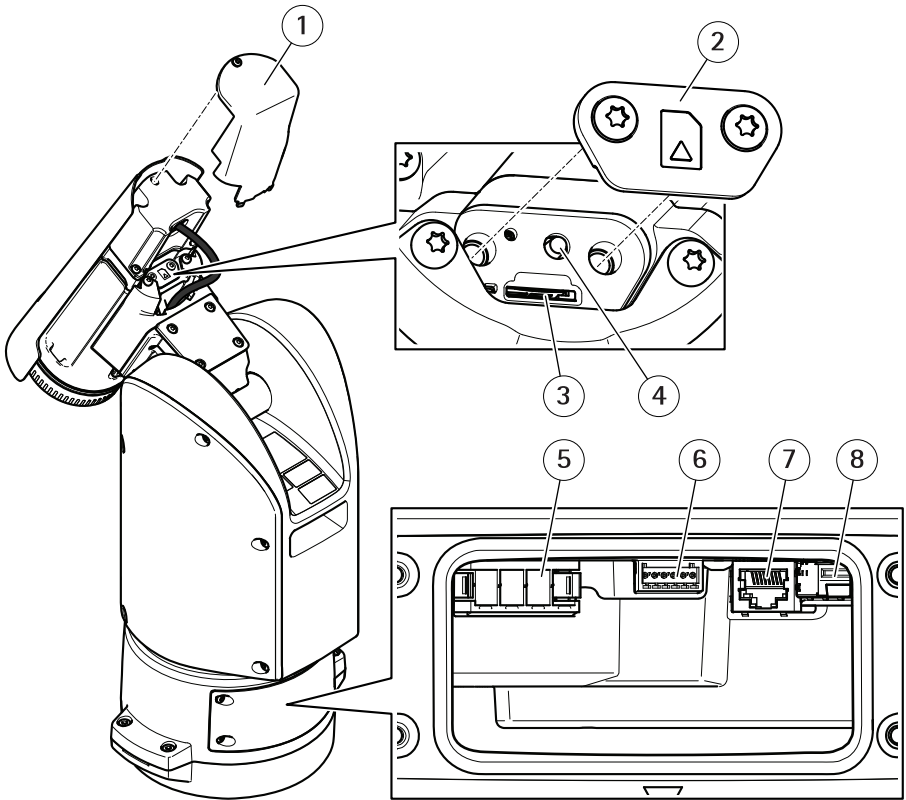
- Telecamera termica AXIS Q8641-E o AXIS Q8642-E PT
- Connettore di alimentazione
- Connettore I/O
- Punta Torx® T20 e T30
- Documentazione
 - Guida all'installazione (questo documento)
 - Etichetta aggiuntiva con numero di serie (2x)
 - Chiave di autenticazione AVHS

Panoramica del dispositivo

Per le specifiche dei componenti hardware, vedere *Specifiche alla pagina 98*.



- 1 *Parasole*
- 2 *Posizionamento della telecamera*
- 3 *Coperchio*
- 4 *Unità base*
- 5 *Viti dell'unità base*



IT

- 1 Coperchio posteriore
- 2 Coperchio della scheda di memoria
- 3 Slot per scheda di memoria
- 4 Pulsante di comando
- 5 Connettore ingresso alimentazione
- 6 Connettore I/O
- 7 Connettore RJ45
- 8 Slot SFP per modulo SFP (modulo SFP non incluso)

Come installare il dispositivo


⚠PERICOLO

Rischio di scosse elettriche. Tutti i cavi non saranno sotto tensione prima di installare il dispositivo.


⚠ATTENZIONE

Le connessioni elettriche e l'installazione dei tubi protettivi devono essere effettuate da un elettricista certificato e in conformità alle normative locali.

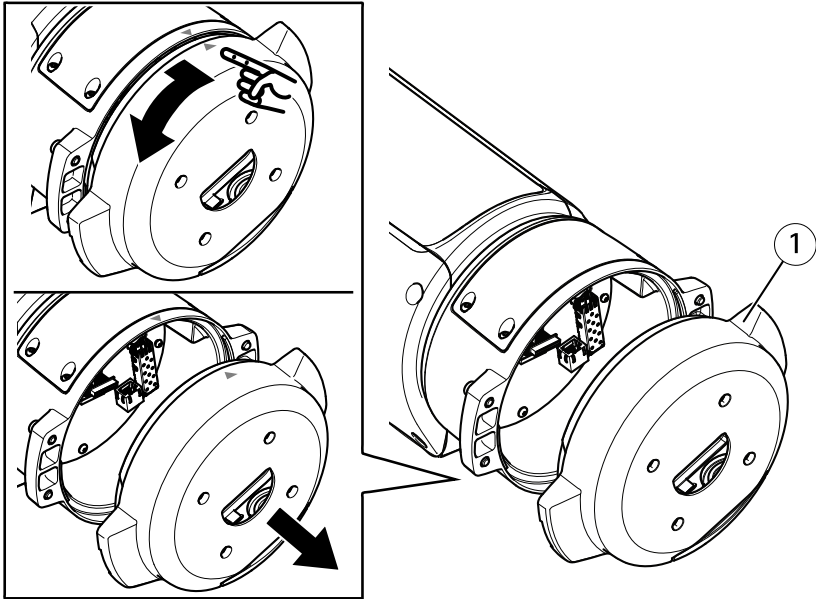
⚠ATTENZIONE

 Rischio di lesioni. Parti in movimento. Tenere il corpo a distanza dal dispositivo durante il funzionamento. Scollegare dall'alimentazione prima di installare o eseguire la manutenzione sul dispositivo.

⚠ATTENZIONE

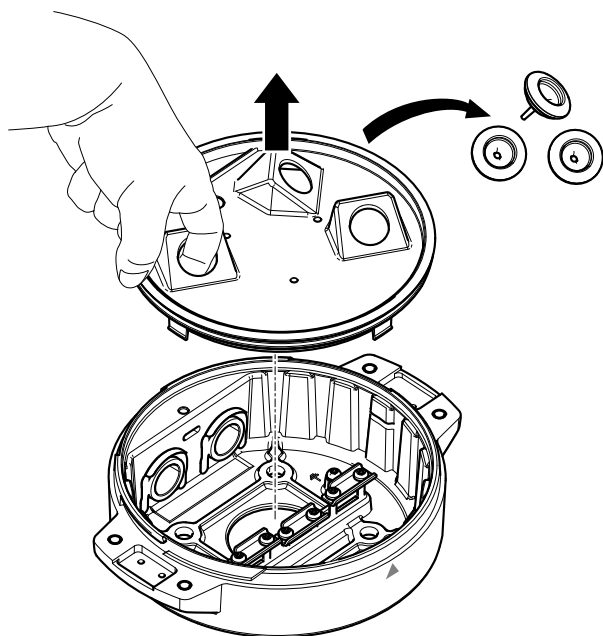
 Rischio di lesioni. Superficie calda. Non toccare il dispositivo durante il funzionamento. Scollegare dall'alimentazione e raffreddare le superfici prima di eseguire la manutenzione sul dispositivo.

Montaggio dell'unità base



1 Unità base

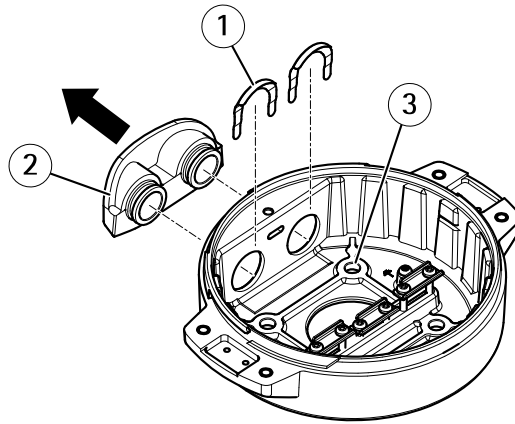
1. Rimuovere le quattro viti (T30) dell'unità base.
2. Estrarre e ruotare simultaneamente l'unità base in senso antiorario finché le frecce sull'unità base e sul resto dell'unità non sono allineate.
3. Rimuovere l'unità base.



AWISO

Non utilizzare strumenti appuntiti durante la rimozione del coperchio trasparente dell'unità base.

4. Rimuovere il coperchio trasparente dell'unità base.



IT

- 1 *Clip del coperchio del tubo protettivo*
- 2 *Coperchio del tubo protettivo*
- 3 *Foro per vite (x4)*

5. Solo per le installazioni di tubi protettivi: rimuovere le due clip del coperchio del tubo protettivo dal coperchio del tubo.
6. Fissare l'unità base alla superficie di montaggio utilizzando i fissaggi appropriati nei fori delle quattro viti.

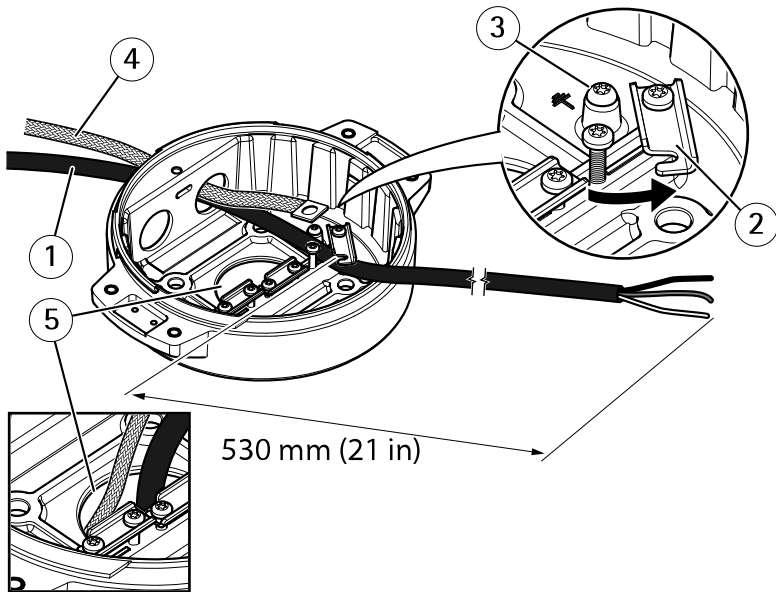
Installazione dei cavi

▲AVVERTENZA

Rischio di scosse elettriche. Questo dispositivo deve disporre di messa a terra utilizzando il cavo di messa a terra di protezione nel cavo di alimentazione e la treccia di messa a terra. Assicurarsi che entrambe le estremità del cavo di messa a terra di protezione e della treccia di messa a terra siano in contatto con le rispettive superfici di messa a terra.

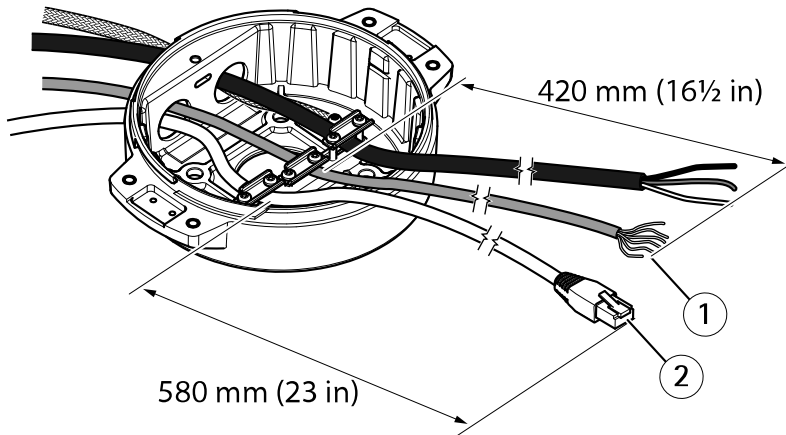
Importante

Utilizzare solo cavi conformi all'area dei cavi specificata. Per ulteriori informazioni, vedere *Spessore del cavo alla pagina 101*.



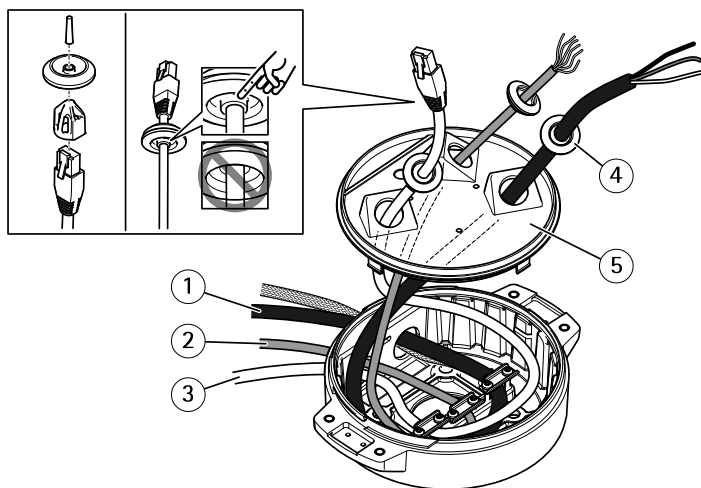
- 1 *Cavo di alimentazione (non incluso)*
- 2 *Dispositivo antistrappo*
- 3 *Vite di messa a terra*
- 4 *Treccia di messa a terra (non inclusa)*
- 5 *Foro per cavo inferiore*

1. Installare gli adattatori dei tubi protettivi opzionali (non inclusi).
2. Collegare la treccia di messa a terra alla vite della messa a terra.
3. Inserire il cavo di alimentazione, il cavo di rete e il cavo I/O attraverso il foro nell'unità base come mostrato nell'illustrazione sopra riportata. In alternativa, inserirli nel foro del cavo inferiore.
4. Inserire il cavo di alimentazione nel dispositivo antistrappo con una distanza di 530 mm tra il dispositivo antistrappo e l'estremità del cavo.



- 1 Cavo I/O (opzionale, non incluso)
- 2 Cavo di rete (non incluso)

5. Inserire il cavo I/O (opzionale) nel dispositivo antistrappo con una distanza di 420 mm (16½ pollici) tra il dispositivo antistrappo e l'estremità del cavo.
6. Inserire il cavo di rete (cavo in fibra ottica e/o cavo RJ45) nel dispositivo antistrappo ad una distanza di 580 mm dal dispositivo antistrappo all'estremità del connettore. Per ulteriori informazioni sulle differenti opzioni di connettività di rete, vedere *Installazione del collegamento di rete alla pagina 93*.
7. Chiudere e avvitare i tre dispositivi antistrappo.



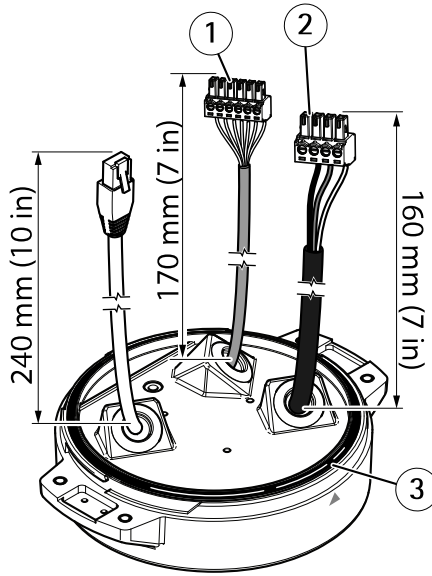
- 1 *Cavo di alimentazione (non incluso)*
- 2 *Cavo I/O (opzionale, non incluso)*
- 3 *Cavo di rete (non incluso)*
- 4 *Guarnizione per cavi*
- 5 *Coperchio trasparente dell'unità base*

8. Inserire le guarnizioni sui cavi. Vedere *Spessore del cavo alla pagina 101*.
9. Inserire il cavo di alimentazione, di rete e I/O comprese le guarnizioni attraverso i fori nel coperchio trasparente dell'unità base e sistemare i cavi come mostrato nell'illustrazione sopra riportata.

AWISO

Se si utilizzano un cavo in fibra ottica e un cavo RJ45 per la connettività di rete, instradare il cavo in fibra ottica attraverso la stessa guarnizione del cavo I/O. Applicare un sigillante tra i cavi e la guarnizione per evitare dispersioni. Per ulteriori informazioni sulle differenti opzioni di connettività di rete, vedere *Installazione del collegamento di rete alla pagina 93*.

10. Riposizionare il coperchio trasparente sull'unità base e inserire le guarnizioni dei cavi nei fori.



- 1 Connettore I/O
- 2 Connettore di alimentazione
- 3 Anello di tenuta

AVVISO

Accertarsi che il cavo di messa a terra di protezione sia circa 10 mm più lungo degli altri due cavi (nel cavo di alimentazione) per evitare lo scollegamento accidentale.

Nota

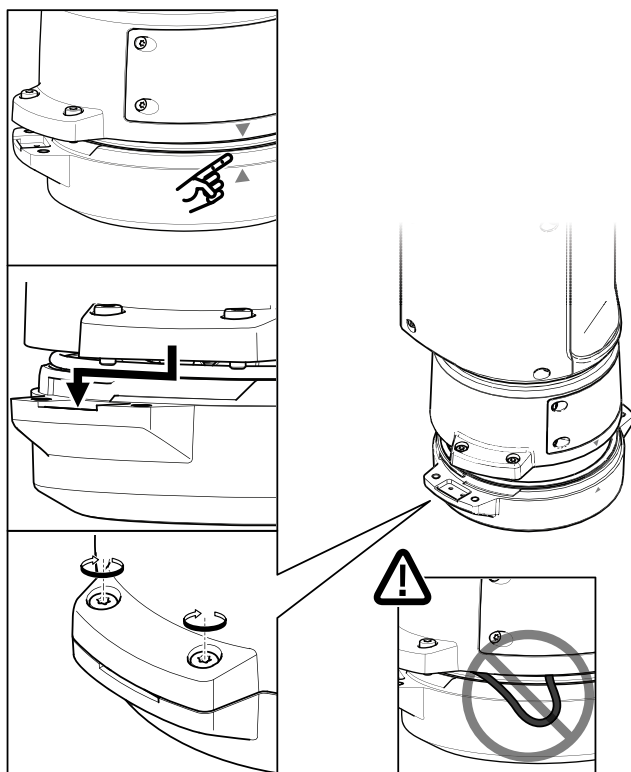
Si consiglia di togliere circa 90 mm (3½ pollici) di rivestimento del cavo di alimentazione e 70 mm (2¾ pollici) di rivestimento del cavo I/O per un'installazione più semplice.

11. Installare i connettori di alimentazione e I/O, vedere *Connettori alla pagina 99*.
12. Regolare i cavi di rete, I/O e di alimentazione in modo che la distanza dalla guarnizione del cavo all'estremità del connettore sia rispettivamente di 240 mm, 170 mm e 160 mm.

AVVISO

Assicurarsi che l'anello di tenuta sia correttamente fissato al coperchio trasparente dell'unità base.

IT

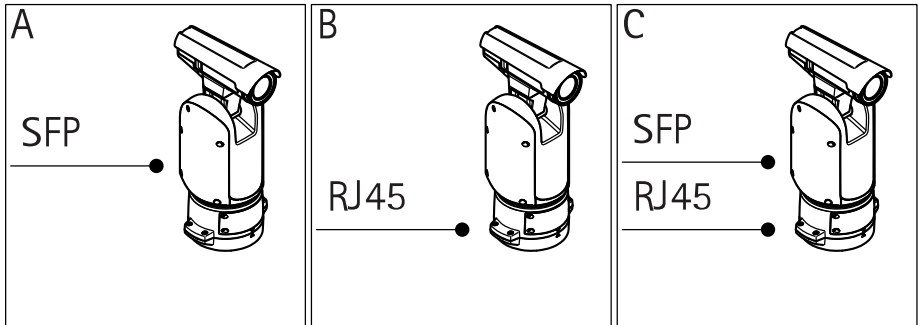


13. Riposizionare l'unità di posizionamento sull'unità base accertandosi che le frecce sulle due unità siano allineate.
14. Ruotare l'unità di posizionamento in senso orario facendola tornare alla posizione originale e serrare le quattro viti dell'unità base (serraggio 3,0 Nm).

AWISO

Accertarsi che i cavi non vengano schiacciati durante il montaggio delle due unità.

Installazione del collegamento di rete



IT

Per l'installazione di un collegamento di rete esistono diverse opzioni:

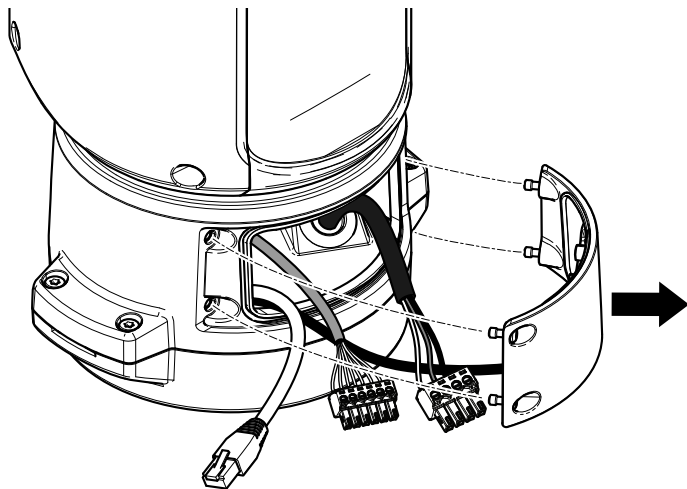
- A: tramite un cavo in fibra ottica o un cavo RJ45 collegato al modulo SFP (con un rispettivo connettore) nello slot SFP.
- B: tramite un cavo RJ45 collegato al connettore RJ45 fisso.
- C: tramite entrambe le opzioni precedenti. In tal caso la connessione tramite le funzioni del modulo SFP è il primo collegamento di rete e la connessione tramite connettore RJ45 è il collegamento di failover.

Per ulteriori informazioni sulle posizioni dei connettori di rete, vedere *Connettori alla pagina 99*.

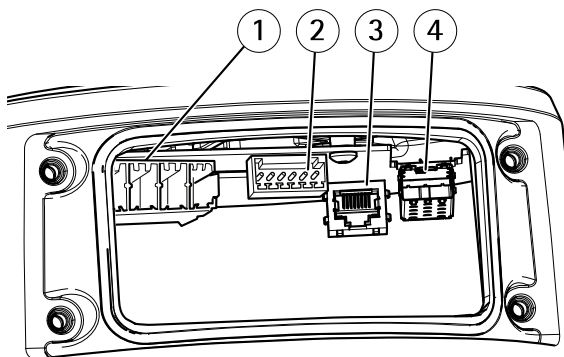
Nota

- Il modulo SFP non è incluso. Per ulteriori informazioni sui moduli SFP disponibili, vedere www.axis.com
- La creazione di un collegamento di rete solo tramite cavo in fibra ottica utilizzando il rispettivo modulo SFP funziona come soluzione indipendente per le installazioni di cablaggi a lungo raggio.

Collegamento dei cavi



1. Allentare le quattro viti (T20) del coperchio e rimuoverlo.



- 1 *Connettore ingresso alimentazione*
- 2 *Connettore I/O*
- 3 *Connettore RJ45*
- 4 *Slot SFP per modulo SFP (modulo SFP non incluso)*

2. Collegare la rete (fibra ottica e/o RJ45), I/O e i cavi di alimentazione. Per ulteriori informazioni sulle differenti opzioni di connettività di rete, vedere *Installazione del collegamento di rete alla pagina 93*.
3. Riposizionare il coperchio e avvitare le quattro viti (serraggio 3,0 Nm).
4. Applicare l'alimentazione al dispositivo.

Come installare una scheda di memoria (opzionale)

Una scheda microSD standard o ad alta capacità (non inclusa) può essere utilizzata per memorizzare le registrazioni localmente nel dispositivo. Vedere *Panoramica del dispositivo alla pagina 82* prima di installare la scheda di memoria.

1. Scollegare l'alimentazione dal dispositivo.
2. Rimuovere la vite del coperchio posteriore e rimuovere il coperchio posteriore.
3. Rimuovere le viti del coperchio della scheda di memoria e rimuovere il coperchio della scheda di memoria.
4. Per inserire una scheda microSD nello slot per schede di memoria, vedere *Panoramica del dispositivo alla pagina 82*
5. Fissare il coperchio della scheda di memoria e avvitare le viti (serraggio 1 Nm).
6. Fissare il coperchio posteriore ed avvitare la vite (serraggio 1 Nm).
7. Ricollegare l'alimentazione al dispositivo.

IT


Modalità di accesso al dispositivo

Per trovare i dispositivi Axis sulla rete e assegnare loro un indirizzo IP in Windows®, utilizza AXIS IP Utility o AXIS Device Manager. Queste applicazioni sono entrambe gratuite e possono essere scaricate dal sito Web axis.com/support


Per ulteriori informazioni sull'utilizzo del dispositivo, consultare il Manuale per l'utente disponibile sul sito Web all'indirizzo: axis.com

Ripristino delle impostazioni predefinite di fabbrica

⚠ATTENZIONE

 Rischio di lesioni. Parti in movimento. Tenere il corpo a distanza dal dispositivo durante il funzionamento. Scollegare dall'alimentazione prima di installare o eseguire la manutenzione sul dispositivo.

⚠ATTENZIONE

 Rischio di lesioni. Superficie calda. Non toccare il dispositivo durante il funzionamento. Scollegare dall'alimentazione e raffreddare le superfici prima di eseguire la manutenzione sul dispositivo.

Importante

Il ripristino delle impostazioni predefinite di fabbrica deve essere utilizzato con cautela. Tale operazione consentirà di ripristinare i valori predefiniti di fabbrica per tutte le impostazioni, incluso l'indirizzo IP.

Vedere *Panoramica del dispositivo alla pagina 82* prima di eseguire il ripristino. Per ripristinare il dispositivo ai valori predefiniti di fabbrica:

1. Scollegare l'alimentazione dal dispositivo.
2. Allentare la vite del coperchio posteriore e rimuovere il coperchio posteriore.
3. Allentare le viti del coperchio della scheda di memoria e rimuoverlo.
4. Tenere premuto il pulsante di comando e ricollegare l'alimentazione.
5. Tenere premuto il pulsante di comando per 15 - 30 secondi fino a quando l'indicatore LED di stato lampeggerà in giallo.
6. Rilasciare il pulsante di comando. Il processo è completo quando l'indicatore del LED di stato diventerà verde. Il dispositivo è stato reimpostato alle impostazioni di fabbrica predefinite. Se nessun server DHCP è disponibile sulla rete, l'indirizzo IP predefinito è 192.168.0.90.
7. Fissare il coperchio della scheda di memoria e avvitare le viti (serraggio 1 Nm).
8. Fissare il coperchio posteriore e avvitare la vite (serraggio 1 Nm).
9. Mediante gli strumenti per l'installazione e la gestione del software, assegnare un indirizzo IP, impostare la password e accedere al flusso video.

Gli strumenti per l'installazione e la gestione del software sono disponibili nelle pagine dedicate all'assistenza sul sito Web www.axis.com/support.

Ulteriori Informazioni

- Per la versione più recente di questo documento, visitare il sito all'indirizzo axis.com
- Il manuale per l'utente è disponibile all'indirizzo axis.com
- Per verificare se sono stati pubblicati aggiornamenti del firmware per il proprio dispositivo, vedere axis.com/support
- Per servizi di formazione utili e webinar, visita il sito axis.com/academy

Accessori opzionali

Per un elenco completo degli accessori disponibili per questo dispositivo, andare alla pagina del dispositivo al sito axis.com e selezionare Software e accessori.

IT

Informazioni sulla garanzia

Per informazioni sulla garanzia del dispositivo Axis e informazioni ad esso relative, consultare la pagina axis.com/warranty.

Specifiche


Per la versione più aggiornata della scheda tecnica del dispositivo, visitare il sito [Web axis.com](http://www.axis.com) e trovare la sezione **Support & Documentation (Supporto e documentazione)**.

Indicatori LED


LED di stato	Indicazione
Spento	Connessione e funzionamento normale.
Verde	Connessione e funzionamento normale.
Giallo	Luce fissa durante l'avvio. Lampeggia durante l'aggiornamento del firmware o il ripristino delle impostazioni predefinite.
Giallo/rosso	Lampeggia in giallo/rosso se il collegamento di rete non è disponibile o è stato perso.
Rosso	Errore durante l'aggiornamento del firmware.

Slot per schede di memoria

⚠ATTENZIONE

 Rischio di lesioni. Parti in movimento. Tenere il corpo a distanza dal dispositivo durante il funzionamento. Scollegare dall'alimentazione prima di installare o eseguire la manutenzione sul dispositivo.

⚠ATTENZIONE

 Rischio di lesioni. Superficie calda. Non toccare il dispositivo durante il funzionamento. Scollegare dall'alimentazione e raffreddare le superfici prima di eseguire la manutenzione sul dispositivo.

AWISO

- Rischio di danneggiamento della scheda di memoria SD. Non utilizzare strumenti appuntiti oppure oggetti metallici e non esercitare eccessiva forza durante l'inserimento o la rimozione della scheda di memoria. Utilizzare le dita per inserire e rimuovere la scheda.
- Rischio di perdita di dati e danneggiamento delle registrazioni. Non rimuovere la scheda di memoria mentre il dispositivo è in funzione. Smontare la scheda di memoria dalle pagine Web del dispositivo prima di rimuoverla.

Questo dispositivo supporta schede microSD/microSDHC/microSDXC.

Visitare [axis.com](http://www.axis.com) per i consigli sulla scheda di memoria.

Pulsanti

Pulsante di comando

Per l'ubicazione del pulsante di comando, vedere *Panoramica del dispositivo alla pagina 82*.

Il pulsante di comando viene utilizzato per:

- Ripristinare le impostazioni predefinite di fabbrica del dispositivo. Vedere *pagina 96*.
- Collegarsi a un servizio AXIS Video Hosting System. Per ulteriori informazioni su questo servizio, vedere il sito axis.com

Connettori

Connettore di rete

Connettore Ethernet RJ45.

Connettore SFP.

AVISO

Il dispositivo deve essere collegato con un cavo di rete schermato (STP) o con cavi in fibra ottica. Tutti i cavi che collegano il dispositivo alla rete sono destinati al loro uso specifico. Accertarsi che i dispositivi di rete siano installati secondo le istruzioni del produttore. Per maggiori informazioni sui requisiti normativi, consultare *Electromagnetic compatibility (EMC) on page 8*.

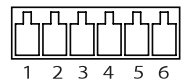
Connettore I/O

Utilizzare il connettore I/O con dispositivi esterni in combinazione con, ad esempio, rilevamento movimento, attivazione di eventi e notifiche di allarme. Oltre al punto di riferimento 0 V CC e all'alimentazione (uscita CC), il connettore I/O fornisce l'interfaccia per:

Ingresso digitale – Per il collegamento di dispositivi che possono passare dal circuito chiuso al circuito aperto, ad esempio i sensori PIR, i contatti porta/finestra e i rilevatori di rottura.

Uscita digitale – Per il collegamento di dispositivi esterni come relè e LED. I dispositivi collegati possono essere attivati tramite l'API (interfaccia per la programmazione di applicazioni) VAPIX® oppure dalla pagina Web del dispositivo.

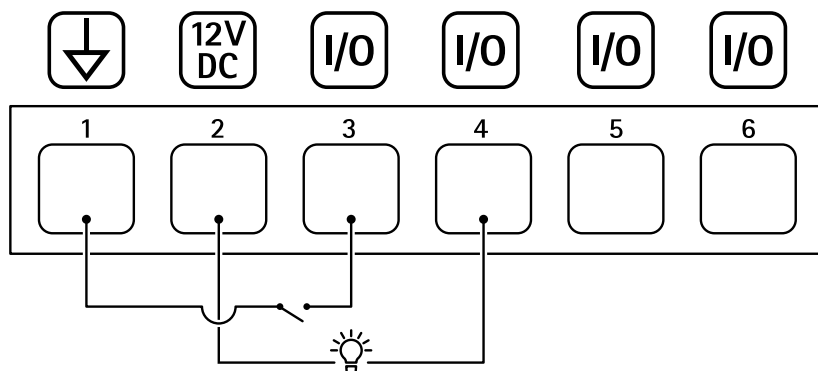
Morsettiera a 6 pin configurabile



AXIS Q.86 Series

Funzione	Pin	Note	Specifiche
Terra CC	1		0 V CC
Uscita CC	2	Può essere utilizzato per alimentare una periferica ausiliaria. Nota: questo pin può essere usato solo come uscita alimentazione.	12 V CC Carico massimo = 50 mA
Configurabile (input oppure output)	3-6	Ingresso digitale: collegare al pin 1 per attivarlo oppure lasciarlo isolato (scollegato) per disattivarlo.	Da 0 a max 30 V CC
		Uscita digitale: collegato internamente al pin 1 (terra CC) quando attivo e isolato (scollegato) quando inattivo. Se utilizzata con un carico induttivo, ad esempio un relè, collegare un diodo in parallelo al carico per proteggere il dispositivo da sovratensioni.	Da 0 a max 30 V CC, open drain, 100 mA

Esempio



- 1 Terra CC
- 2 Output CC 12 V, max 50 mA
- 3 I/O configurato come input
- 4 I/O configurato come output
- 5 I/O configurabile
- 6 I/O configurabile

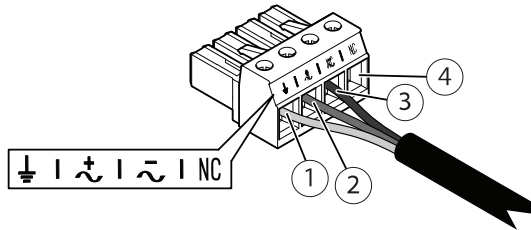
Connettore di alimentazione

Morsettiera a 4 pin per ingresso alimentazione.

Connettore di alimentazione 24 V CA/CC

AVVISO

Questa sezione è valida solo per i dispositivi alimentati a 24 V CA e 24 V CC.



IT

Questa tabella è valida solo per i connettori di alimentazione da 24 V CA e da 24 V CC.

Posizione	24 V CA	24 V CC
1	Messa a terra di protezione	Messa a terra di protezione
2	Fase 24 V CA	+ 24 V
3	24 V CA Neutro	0 V
4	Non connesso	Non connesso

Cavi

Spessore del cavo

Quando si utilizzano le guarnizioni per cavo fornite con il dispositivo, il diametro del cavo deve essere compreso nell'intervallo tra 5 e 11 mm.

AVVISO

- Utilizzare cavi di lunghezza adeguata all'area specificata
- Selezionare i cavi nel rispetto delle normative locali
- Verificare che tutti i fori dei cavi siano correttamente sigillati
- Utilizzare guarnizioni per cavi o pressacavi corrispondenti al foro e all'area dei cavi

Per informazioni sugli accessori disponibili, come ad esempio guarnizioni per cavi e pressacavi adatti per altre aree dei cavi, visitare il sito Web www.axis.com.

Condizioni di funzionamento

Il dispositivo Axis è destinato all'uso interno ed esterno.

Temperatura	Umidità
Funzionamento: da -40 °C a 60 °C (da -40 °F a 140 °F)	Da 10 a 100% umidità relativa (senza condensa)

Consumo energetico

Dispositivo	Consumo tipico	Consumo massimo
AXIS Q8641-E 24 V CA/CC*	16 W	182 W
AXIS Q8642-E 24 V CA/CC*		

Importante

*Quando si utilizza il cavo AXIS da 22 m 24 V CC/24 – 240 V CA, è necessario utilizzare un alimentatore in grado di fornire 220 W a compensazione della perdita di alimentazione del cavo.

AWISO

I valori tipici di consumo energetico sono basati su:

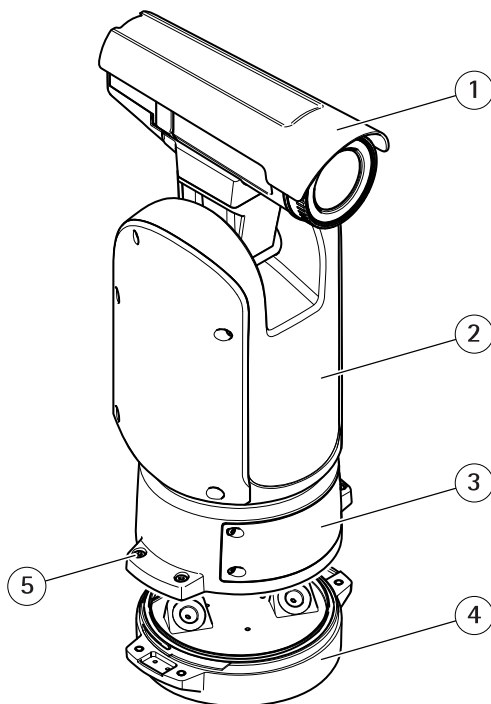
- Perdite nei cavi di alimentazione ignorate.
- Nessun posizionamento attivo.
- Temperatura di 25 °C con tutti i riscaldatori spenti.
- Un flusso H.264 alla massima risoluzione.
- Flusso MJPEG registrato sulla scheda di memoria.

Contenido del paquete

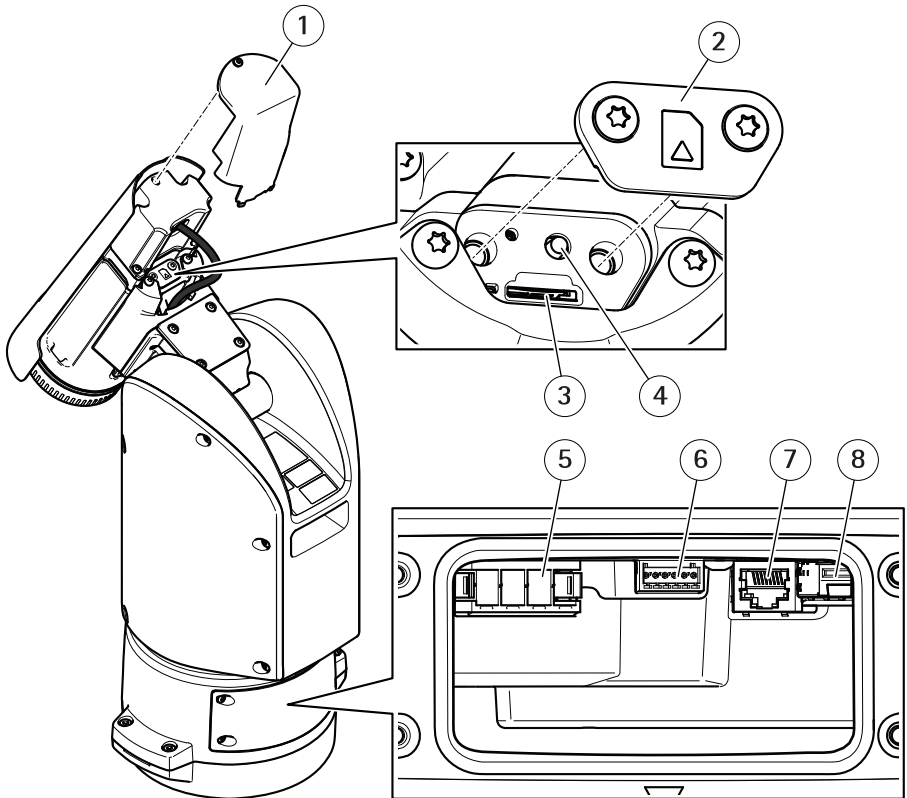
- Cámara de red térmica AXIS Q8641-E o AXIS Q8642-E PT
- Conector de alimentación
- Conector de E/S
- Torx® punta T20 y T30
- Materiales impresos
 - Guía de instalación (este documento)
 - Etiqueta adicional con el número de serie (2)
 - Clave de autenticación AVHS

Información general del producto

Para conocer las especificaciones de los componentes del hardware, consulte *Especificaciones en la página 119*.



- 1 *Parasol*
- 2 *Posicionamiento de la cámara*
- 3 *Tapa*
- 4 *Unidad base*
- 5 *Tornillos de unidad base*



ES

- 1 Tapa posterior
- 2 Tapa de la tarjeta SD
- 3 Ranura para tarjetas SD
- 4 Botón de control
- 5 Conector de entrada de corriente
- 6 Conector de E/S
- 7 Conector RJ45
- 8 Ranura SFP para módulo SFP (módulo SFP no incluido)

Cómo instalar el producto


⚠ PELIGRO

Riesgo de descarga eléctrica. Todos los cables deben estar sin energía antes de instalar el producto.


⚠ ATENCIÓN

Las conexiones eléctricas y las instalaciones de los conductos debe realizarlas un electricista cualificado, de conformidad con la normativa local.

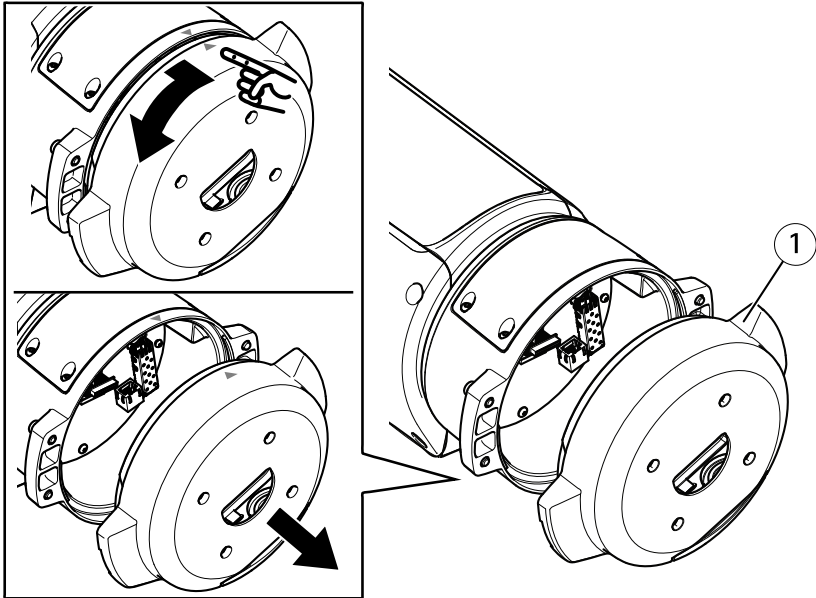
⚠ ATENCIÓN

 Riesgo de lesiones. Piezas móviles. No acerque ninguna parte del cuerpo al producto mientras esté funcionando. Desconecte la fuente de alimentación antes de realizar trabajos de instalación o mantenimiento en el producto.

⚠ ATENCIÓN

 Riesgo de lesiones. Superficie caliente. No toque el producto durante su funcionamiento. Desconecte la fuente de alimentación y deje que se enfríen las superficies antes de realizar trabajos de mantenimiento en el producto.

Montaje de la unidad base



1 Unidad base

1. Quite los cuatro tornillos (T30) de la unidad base.
2. Tire de la base a la vez que la gira en sentido contrario a las agujas del reloj hasta que estén alineadas las flechas de la unidad base con el resto de la unidad.
3. Extraiga la unidad base.

- 2 Cubierta de conducto
- 3 Orificio para tornillo (4)

- 5. Para instalaciones con conducto solo: retire los dos clips de cubierta de conducto y la cubierta de conducto a continuación.
- 6. Fije la unidad base a la superficie de montaje con los fijadores adecuados en los cuatro orificios para tornillos.

Guía de los cables

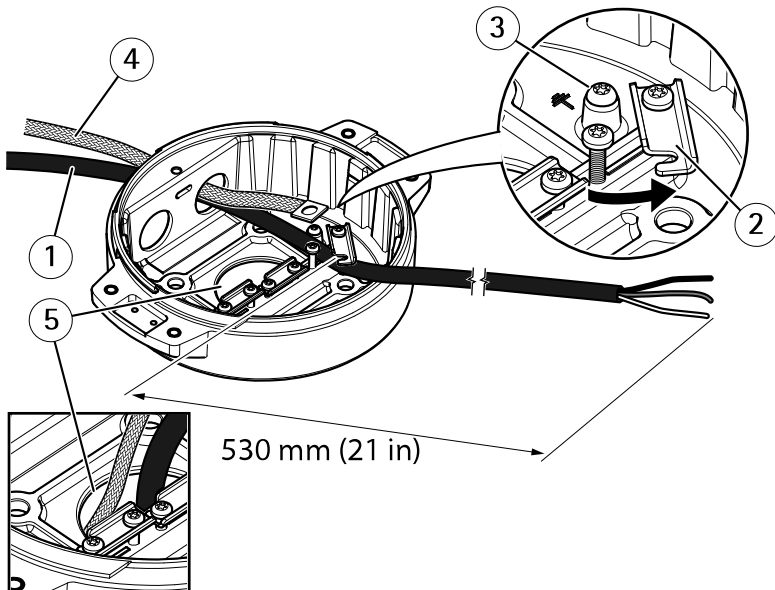
⚠ADVERTENCIA

Riesgo de descarga eléctrica. El producto debe conectarse a tierra mediante el cable a tierra protector en el cable de alimentación y el cable trenzado de tierra. Asegúrese de que los dos extremos del cable de tierra protector y el cable trenzado de tierra estén en contacto con sus respectivas superficies de toma de tierra.

Importante

Utilice solo los cables que cumplan los requisitos del área de cableado especificada. Para obtener más información, consulte *Grosor del cable en la página 122*.

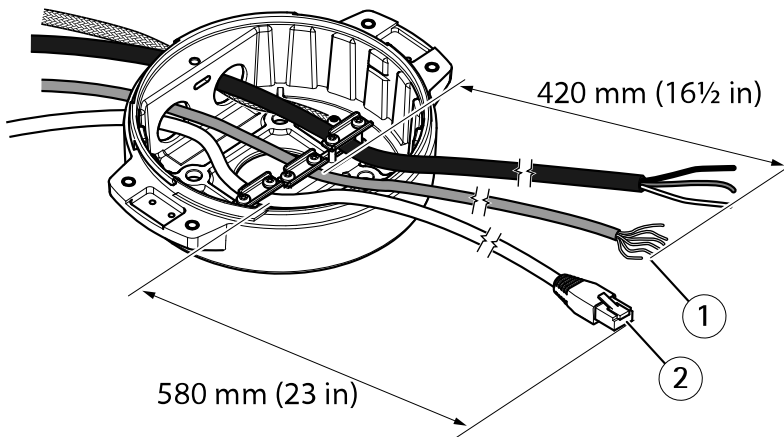
ES



- 1 Cable de alimentación (no incluido)
- 2 Descarga de tracción
- 3 Tornillo de toma de tierra

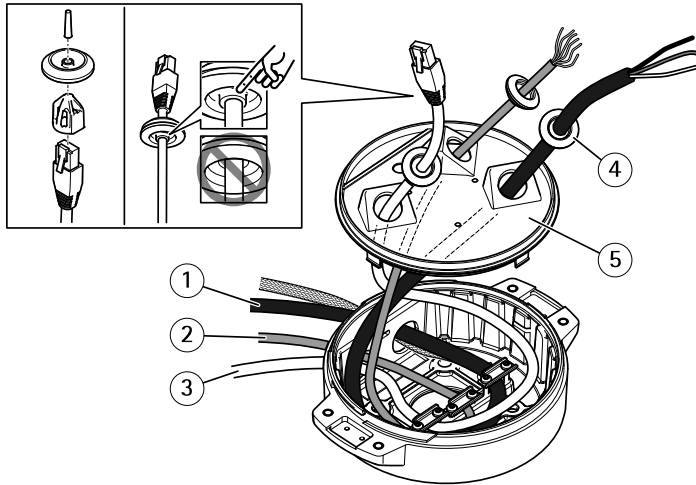
- 4 Cable trenzado de tierra (no incluido)
- 5 Orificio inferior para cable

1. Instale los adaptadores de conducto opcionales (no incluidos).
2. Conecte el cable trenzado de tierra al tornillo de tierra.
3. Pase el cable de alimentación, el cable de E/S y el cable de red a través del orificio de la unidad base como se muestra en la ilustración anterior. También puede pasarlos por el orificio del cable inferior.
4. Pase el cable de alimentación por la descarga de tracción con una distancia de 530 mm entre esta y el extremo del cable.



- 1 Cable de E/S (opcional, no incluido)
- 2 Cable de red (no incluido)

5. Introduzca el cable de E/S (opcional) a través de la descarga de tracción con una distancia de 420 mm entre esta y el extremo del cable.
6. Introduzca el cable de red (cable de fibra óptica o cable RJ45) con una distancia de 580 mm entre la descarga de tracción y el extremo del conector. Para obtener más información sobre las opciones de conectividad de la red, consulte *Instalación del enlace de red en la página 114*.
7. Cierre y apriete las tres descargas de tracción.



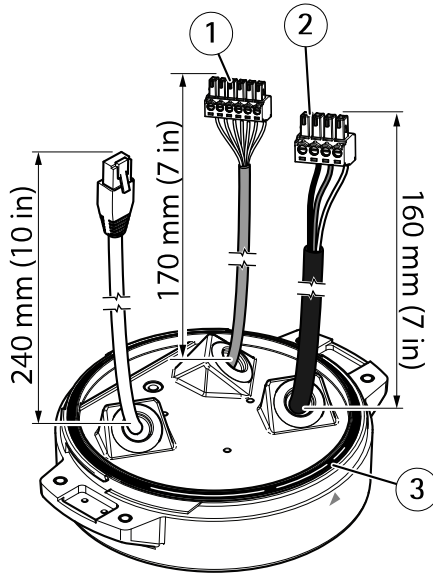
- 1 Cable de alimentación (no incluido)
- 2 Cable de E/S (opcional, no incluido)
- 3 Cable de red (no incluido)
- 4 Junta de cable
- 5 Cubierta transparente de la unidad base

8. Ponga juntas en los cables. Consulte *Grosor del cable en la página 122*.
9. Pase los cables de alimentación, E/S y red con las juntas por los orificios de la cubierta transparente de la unidad base y dispóngalos como se muestra en la ilustración anterior.

AVISO

Si usa un cable de fibra óptica y un cable RJ45 para la conexión de red, pase el cable de fibra óptica por la misma junta que el cable de E/S. Aplique un sellador entre los cables y la junta de cable para que no haya fugas. Para obtener más información sobre las opciones de conectividad de la red, consulte *Instalación del enlace de red en la página 114*.

10. Vuelva a poner la cubierta transparente de la unidad base en la unidad y ponga las juntas de cable en los orificios.



- 1 Conector de E/S
- 2 Conector de alimentación
- 3 Junta tórica

AVISO

Asegúrese de que el cable de tierra protector sea unos 10 mm más largo que los otros dos cables del cable de alimentación, de forma que no se desconecte accidentalmente si se tira de él.

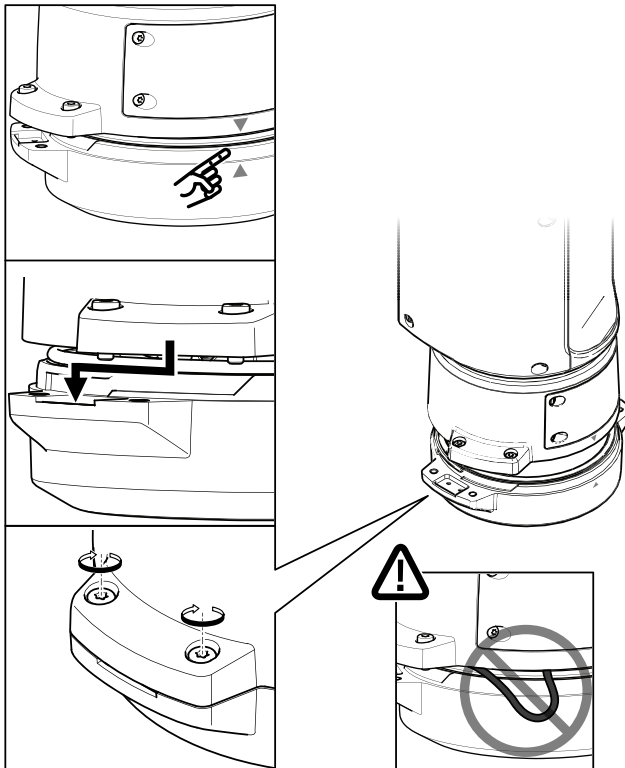
Nota

Recomendamos pelar unos 90 mm de la funda del cable de alimentación y unos 70 mm de la funda del cable de E/S para facilitar la instalación.

11. Para instalar los conectores de alimentación y E/S, consulte *Conectores en la página 120*.
12. Ajuste los cables de red, E/S y alimentación de forma que la distancia entre la junta de cable y el extremo del conector sea de 240 mm, 170 mm y 160 mm respectivamente.

AVISO

Compruebe que la junta tórica está bien puesta en torno a la cubierta transparente de la unidad base.

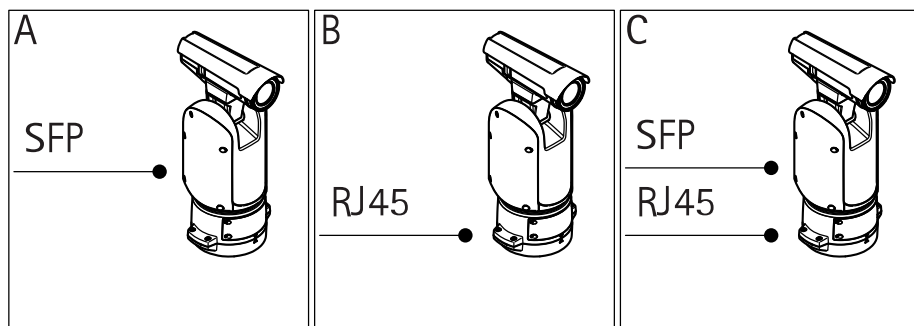


13. Vuelva a poner la unidad de posicionamiento en la unidad base, comprobando que las flechas de ambas unidades están alineadas.
14. Gire la unidad de posicionamiento en sentido horario hasta su posición original y apriete los cuatro tornillos de la base (par 3,0 Nm).

AVISO

Compruebe que los cables no quedan presionados al montar las dos unidades.

Instalación del enlace de red



Existen distintas opciones para instalar el enlace de red:

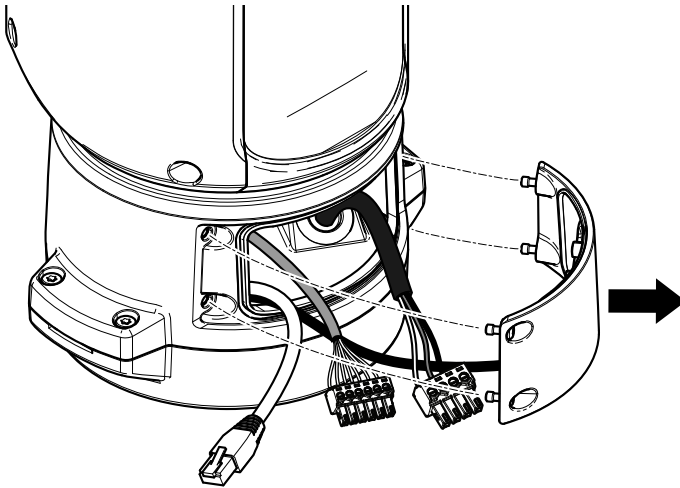
- A: a través de un cable de fibra óptica o RJ45 conectado al módulo SFP (el conector necesario) en la ranura SFP.
- B: con un cable RJ45 unido al conector RJ45 fijado.
- C: mediante las dos opciones anteriores, en cuyo caso la conexión a través del módulo SFP funciona como enlace de red principal y la conexión a través del conector RJ45 fijado es el enlace para casos de error.

Para obtener más información sobre las ubicaciones de los conectores de red, consulte *Conectores en la página 120*.

Nota

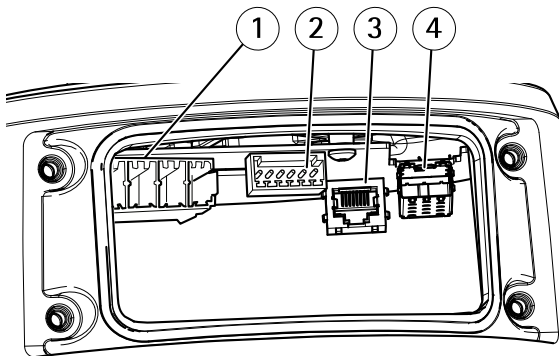
- El módulo SFP no se incluye. Para obtener información sobre los módulos SFP disponibles, consulte www.axis.com.
- El establecimiento del enlace de red únicamente con el cable de fibra óptica a través del módulo SFP respectivo funciona como solución independiente en instalaciones con cables de largo alcance.

Conexión de los cables



ES

1. Afloje los cuatro tornillos (T20) de la tapa de la base y retírela.



- 1 Conector de entrada de corriente
- 2 Conector de E/S
- 3 Conector RJ45
- 4 Ranura SFP para módulo SFP (módulo SFP no incluido)

2. Conecte la red (fibra óptica o RJ45), la E/S y los cables de alimentación. Para obtener más información sobre las opciones de conectividad de la red, consulte *Instalación del enlace de red en la página 114*.

3. Vuelva a colocar la tapa y apriete los cuatro tornillos de la tapa (par 3,0 Nm).
4. Conecte la alimentación del producto.

Cómo instalar una tarjeta SD (opcional)

Puede emplearse una tarjeta microSD estándar o de gran capacidad (no incluida) para el almacenamiento local de grabaciones en el producto. Consulte *Información general del producto en la página 104* antes de instalar la tarjeta SD.

1. Desconecte la alimentación del producto.
2. Quite el tornillo de la tapa posterior y retírela.
3. Quite los tornillos de la tapa de la tarjeta SD y retírela.
4. Inserte una tarjeta microSD en la ranura para tarjetas SD; consulte *Información general del producto en la página 104*
5. Coloque la tapa de la tarjeta SD y apriete los tornillos (par 1,0 Nm).
6. Coloque la tapa posterior y apriete el tornillo (par 1,0 Nm).
7. Vuelva a conectar la alimentación del producto.


Cómo acceder al producto

Para localizar dispositivos de Axis en la red y asignarles direcciones IP en Windows®, utilice AXIS IP Utility o AXIS Device Manager. Ambas aplicaciones son gratuitas y pueden descargarse desde axis.com/support


Para obtener más información sobre el uso del producto, consulte el manual del usuario, disponible en axis.com.

Restablecimiento a la configuración predeterminada de fábrica

⚠ ATENCIÓN

 Riesgo de lesiones. Piezas móviles. No acerque ninguna parte del cuerpo al producto mientras esté funcionando. Desconecte la fuente de alimentación antes de realizar trabajos de instalación o mantenimiento en el producto.

⚠ ATENCIÓN

 Riesgo de lesiones. Superficie caliente. No toque el producto durante su funcionamiento. Desconecte la fuente de alimentación y deje que se enfrien las superficies antes de realizar trabajos de mantenimiento en el producto.

Importante

La función de restablecer los ajustes predeterminados de fábrica se debe utilizar con precaución. Todos los valores, incluida la dirección IP, se restablecerán a la configuración predeterminada de fábrica.

ES

Consulte la *Información general del producto en la página 104* antes de restablecer. Para restablecer el producto a la configuración predeterminada de fábrica:

1. Desconecte la alimentación del producto.
2. Afloje el tornillo de la tapa posterior y retire la tapa.
3. Afloje los tornillos de la tapa de la tarjeta SD y retírela.
4. Mantenga pulsado el botón de control y vuelva a conectar la alimentación.
5. Mantenga pulsado el botón de control durante 15-30 segundos hasta que el indicador LED de estado parpadee en ámbar.
6. Suelte el botón de control. El proceso finaliza cuando el indicador LED de estado se pone verde. El producto se ha restablecido a la configuración predeterminada de fábrica. Si no hay ningún servidor DHCP disponible en la red, la dirección IP predeterminada es 192.168.0.90.
7. Coloque la tapa de la tarjeta SD y apriete los tornillos (par 1,0 Nm).
8. Coloque la tapa posterior y apriete el tornillo (par 1,0 Nm).
9. Utilice las herramientas del software de instalación y gestión para asignar una dirección IP, establecer la contraseña y acceder a la transmisión de vídeo.

Las herramientas del software de instalación y gestión están disponibles en las páginas de asistencia técnica en www.axis.com/support.

Más información

- Para consultar la versión más reciente de este documento, vaya a axis.com.
- El manual de usuario se encuentra disponible en axis.com.
- Para comprobar si existe un firmware actualizado disponible para su dispositivo, vaya a axis.com/support.
- Para consultar webinars y cursos en línea que pueden resultarle útiles, vaya a axis.com/academy.

Accesorios opcionales

Para conocer una lista completa de los accesorios disponibles para este producto, vaya a la página de productos en axis.com y seleccione Software y accesorios.

Información de garantía

Para obtener más detalles sobre la garantía del producto Axis y la información relacionada con ella, visite axis.com/warranty.

Especificaciones

Para acceder a la versión más reciente de la hoja de datos del producto, visite la página del producto en axis.com y localice **Support & Documentation (Soporte técnico y documentación)**.


Indicadores LED

LED de estado	Indicación
Apagado	Conexión y funcionamiento normal.
Verde	Conexión y funcionamiento normal.
Ámbar	Fijo durante el inicio. Parpadea en verde durante la actualización del firmware o el restablecimiento a la configuración predeterminada de fábrica.
Ámbar/rojo	Parpadea en ámbar/rojo si la conexión a la red no está disponible o se ha perdido.
Rojo	Error de actualización del firmware.


ES

Ranura para tarjetas SD

⚠️ ATENCIÓN

 Riesgo de lesiones. Piezas móviles. No acerque ninguna parte del cuerpo al producto mientras esté funcionando. Desconecte la fuente de alimentación antes de realizar trabajos de instalación o mantenimiento en el producto.

⚠️ ATENCIÓN

 Riesgo de lesiones. Superficie caliente. No toque el producto durante su funcionamiento. Desconecte la fuente de alimentación y deje que se enfríen las superficies antes de realizar trabajos de mantenimiento en el producto.

AVISO

- Riesgo de daños en la tarjeta SD. No emplee herramientas afiladas, objetos de metal ni demasiada fuerza al insertar o extraer la tarjeta SD. Utilice los dedos para insertar o extraer la tarjeta.
- Riesgo de pérdida de datos y grabaciones dañadas. No extraiga la tarjeta SD mientras el producto esté en funcionamiento. Desinstale la tarjeta SD desde la página web de producto antes de retirarla.

Este producto admite tarjetas microSD/microSDHC/microSDXC.

Para conocer las recomendaciones sobre tarjetas SD, consulte axis.com.

Botones

Botón de control

Para conocer la ubicación del botón de control, consulte *Información general del producto en la página 104*.

El botón de control se utiliza para lo siguiente:

- Restablecer el producto a la configuración predeterminada de fábrica. Consulte *página 117*.
- Conectarse a un servicio AXIS Video Hosting System. Para obtener más información acerca de este servicio, visite axis.com

Conectores

Conector de red

Conector Ethernet RJ45.

Conector SFP.

AVISO

El producto debe conectarse mediante un cable de red blindado (STP) o un cable de fibra óptica. Todos los cables que conecten el producto a la red deberán estar blindados para su uso específico. Asegúrese de que los dispositivos de red estén instalados de conformidad con las instrucciones del fabricante. Para obtener información sobre los requisitos normativos, vea *Electromagnetic compatibility (EMC) on page 8*.

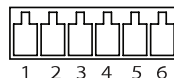
Conector de E/S

Utilice el conector de E/S con dispositivos externos en combinación con detección de movimiento, activación de eventos y notificaciones de alarma, por ejemplo. Además del punto de referencia de 0 V CC y la alimentación (salida de CC), el conector de E/S ofrece una interfaz para:

Entrada digital – Conectar dispositivos que puedan alternar entre circuitos cerrados y abiertos, por ejemplo, sensores PIR, contactos de puertas y ventanas o detectores de cristales rotos.

Salida digital – Conectar dispositivos externos como relés y LED. Los dispositivos conectados se pueden activar mediante la interfaz de programación de aplicaciones VAPIX® o desde la página web del producto.

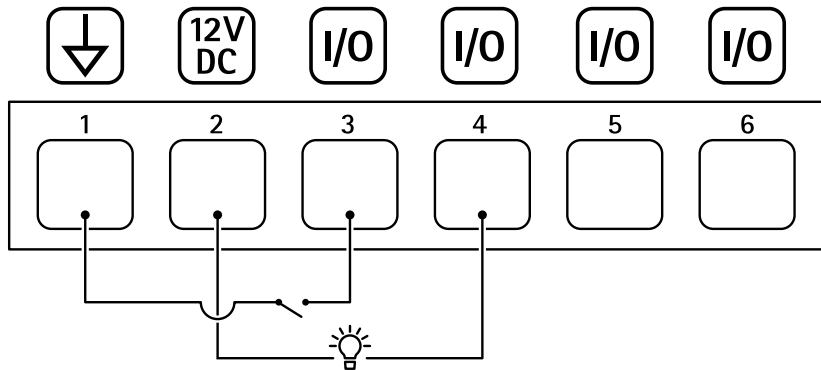
Bloque de terminales configurable de 6 pines



Función	Pin	Notas	Especificaciones
Tierra CC	1		0 V CC
Salida de CC	2	Se puede utilizar para conectar el equipo auxiliar. Nota: Este pin solo se puede utilizar como salida de alimentación.	12 V CC Carga máx. = 50 mA
Configurable (entrada o salida)	3-6	Entrada digital: conéctela al pin 1 para activarla, o bien déjela suelta (desconectada) para desactivarla.	De 0 a un máximo de 30 V CC
		Salida digital: conectada internamente a pin 1 (tierra CC) cuando está activa; y suelta (desconectada), cuando está inactiva. Si se utiliza con una carga inductiva, por ejemplo, un relé, conecte un diodo en paralelo a la carga como protección contra transitorios de tensión.	De 0 a un máximo de 30 V CC, colector abierto, 100 mA

ES

Ejemplo



- 1 Tierra CC
- 2 Salida de CC 12 V, 50 mA máx.
- 3 E/S configurada como entrada
- 4 E/S configurada como salida
- 5 E/S configurable
- 6 E/S configurable

Conector de alimentación

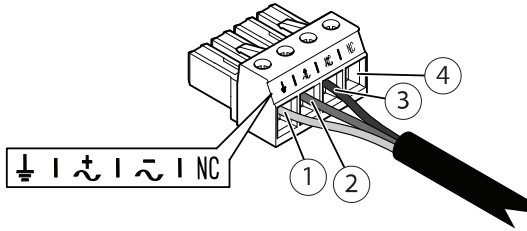
Bloque de terminales de 4 pines para la entrada de alimentación.

AXIS Q86 Series

Conector de alimentación de 24 V CA/CC

AVISO

Esta sección solo es válida para los productos con alimentación de 24 V CA y 24 V CC.



Esta tabla solo es válida para los conectores de alimentación de 24 V CA y 24 V CC.

Posición	24 V CA	24 V CC
1	Conexión a tierra de protección	Conexión a tierra de protección
2	Fase de 24 V CA	+ 24 V
3	Neutro de 24 V CA	0 V
4	No conectado	No conectado

Cables

Grosor del cable

El diámetro del cable, si se usan las juntas para cables suministradas con este producto, debe ser de entre 5 y 11 mm.

AVISO

- Utilice cables que puedan permanecer dentro del área de cableado especificada.
- Elija cables que cumplan la normativa local aplicable.
- Asegúrese de que todos los orificios para cables estén debidamente sellados.
- Utilice juntas de cable o prensaestopas que se ajusten tanto al orificio para cable como al área de cableado.

Para obtener información acerca de los accesorios, como juntas de cable y prensaestopas permitidos para otras áreas de cableado, visite www.axis.com.

Condiciones de funcionamiento

El producto de Axis se ha creado para su uso en interiores y exteriores.

Temperatura	Humedad
Funcionamiento: De -40 °C a 60 °C	Humedad relativa del 10 al 100 % (sin condensación)

Consumo de energía

Producto	Consumo normal	Consumo máximo
AXIS Q8641-E 24 V CA/CC*	16 W	182 W
AXIS Q8642-E 24 V CA/CC*		

ES

Importante

*Si se usa el cable AXIS de 22 m de 24 V CC/24-240 V CA, se necesitará una fuente de alimentación con capacidad de 220 W para compensar la pérdida de alimentación en el cable.

AVISO

Los valores de consumo de energía normales se basan en lo siguiente:

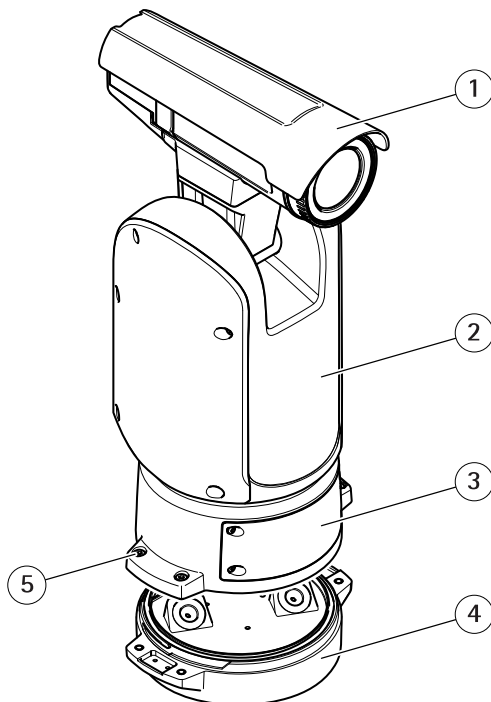
- No se tienen en cuenta las pérdidas en el cable de alimentación.
- Sin posicionamiento activo.
- La temperatura es de 25 °C con todos los calefactores apagados.
- Una transmisión H.264 a resolución máxima.
- La transmisión MJPEG se graba en una tarjeta SD.

パッケージの内容

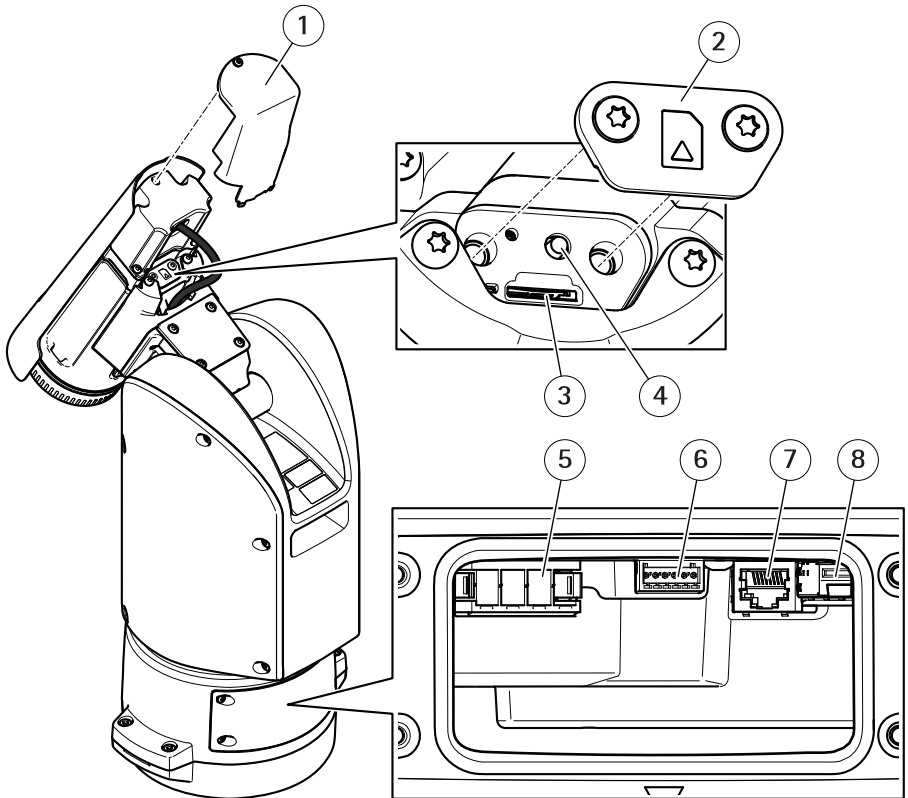
- AXIS Q8641-EまたはAXIS Q8642-E PTサーマルネットワークカメラ
- 電源コネクタ
- I/Oコネクタ
- Torx® ビットT20およびT30
- 印刷物
 - インストールガイド (本書)
 - 予備のシリアル番号ラベル (2枚)
 - AVHS認証キー

製品の概要

ハードウェアコンポーネントの仕様については、141ページの、仕様を参照してください。



- 1 サンシールド
- 2 カメラのポジショニング
- 3 蓋
- 4 ベースユニット
- 5 ベースユニットのネジ



JA

- 1 裏蓋
- 2 SDカードの蓋
- 3 SDカードスロット
- 4 コントロールボタン
- 5 入力電力コネクタ
- 6 I/Oコネクタ
- 7 RJ45コネクタ
- 8 SFPモジュール用SFPスロット (SFPモジュールは付属していません)

製品の取り付け方法

▲危険

感電の危険があります。製品を設置する前に、すべてのケーブルの通電を切ってください。

▲注意

電気接続およびコンジットの取り付けは、必ず資格のある電気技師が地域の規制に従って行ってください。

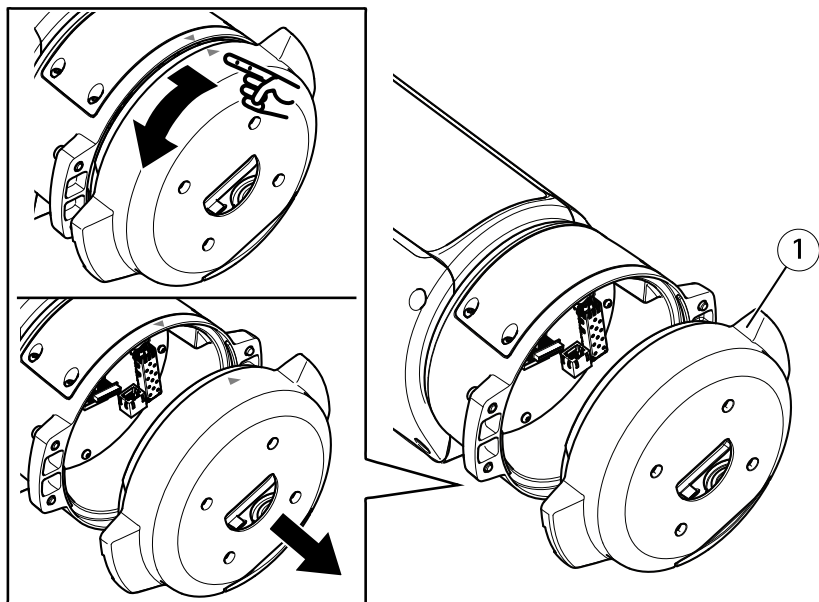
▲注意

⚠ 損傷の危険があります。可動部分。動作中は、体を製品に近づけないでください。製品の設置やメンテナンスを行う前に、電源を切ってください。

▲注意

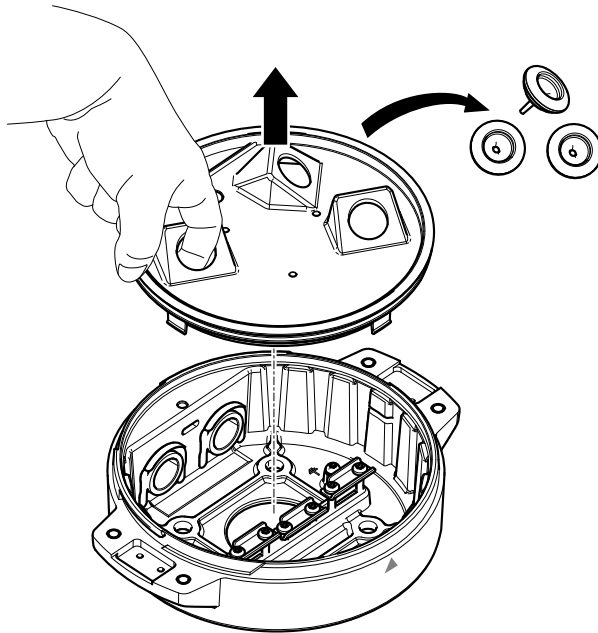
⚠ 損傷の危険があります。熱くなっている表面。動作中は、本製品に触れないでください。製品のメンテナンスを行う前に、電源を切り、表面が冷えるまで待ってください。

ベースユニットの取り付け



1 ベースユニット

1. ベースユニットのネジ4本 (T30) を外します。
2. ベースユニットを引きながら反時計回りに回し、ベースユニット上の矢印と他のユニット上の矢印の位置を合わせます。
3. ベースユニットを取り外します。

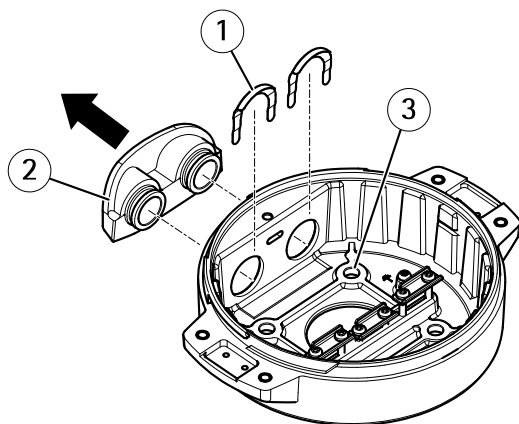


JA

注記

透明ベースユニットカバーの取り外しの際には、鋭利な工具を使用しないでください。

4. 透明ベースユニットカバーを取り外します。



- 1 コンジットカバークリップ
- 2 コンジットカバー
- 3 ネジ穴(x4)

- 5. コンジットの取り付けの場合にのみ、2つのコンジットカバークリップを取り外し、コンジットカバーを取り外します。
- 6. 4つのネジ穴に適したファスナーを使用して、ベースユニットを取付面に取り付けます。

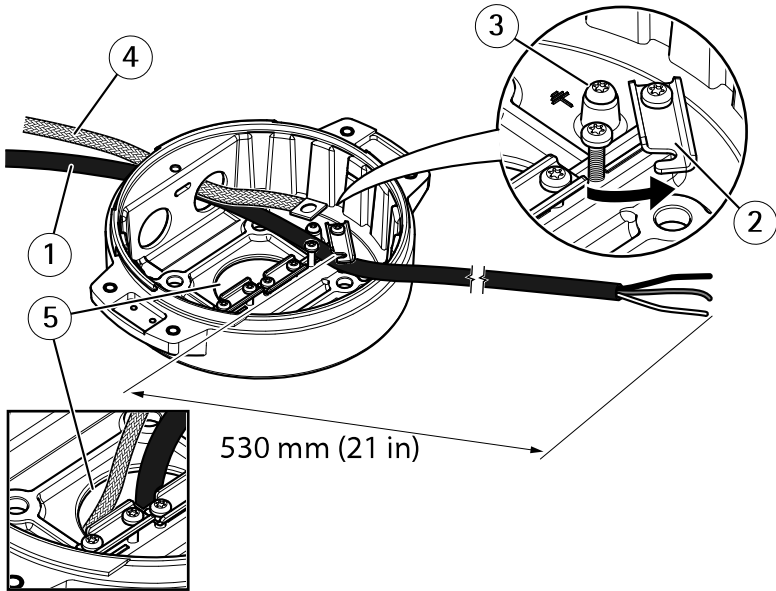
ケーブルの配線

▲警告

感電の危険があります。本製品は、電源ケーブルおよび接地編組の両方に保護アース線を使用して接地するものとします。保護アース線と接地編組のそれぞれの両端がいずれもアース面と接触していることを確認してください。

重要

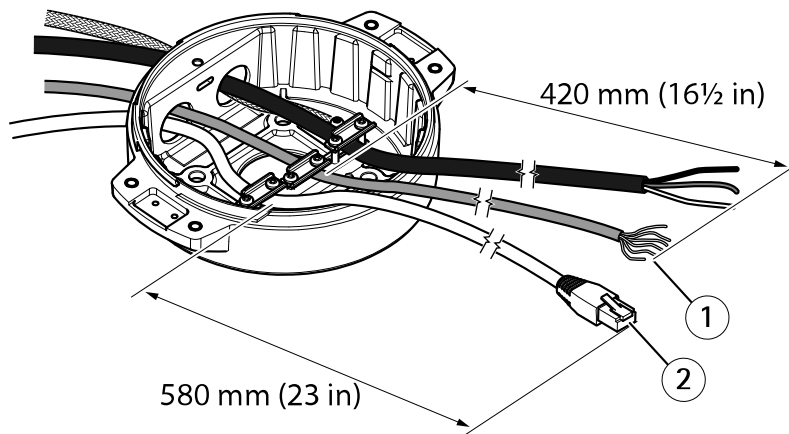
指定のケーブルエリアでの仕様に準拠したケーブルのみ使用してください。詳細については、144ページの、ケーブルの太さを参照してください。



JA

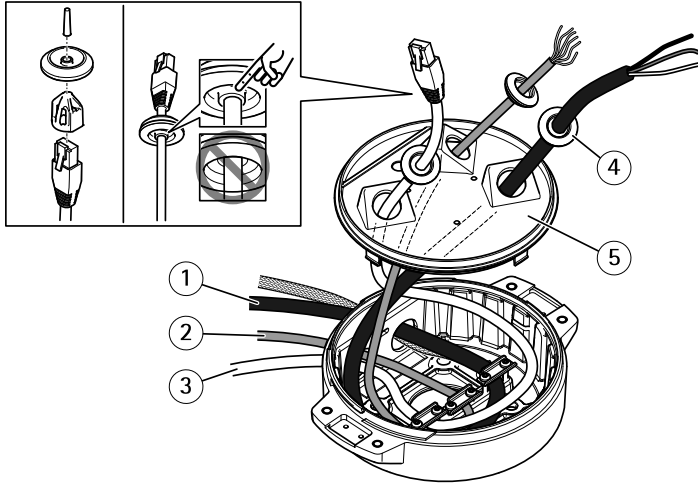
- 1 電源ケーブル (付属していません)
- 2 ストレインリリーフ
- 3 アース端子ネジ
- 4 接地編組 (付属していません)
- 5 底部ケーブル孔

1. オプションのコンジットアダプター (付属していません) を取り付けます。
2. 接地編組をアース端子ネジに接続します。
3. 上図に示すように、ベースユニットの穴から電源ケーブル、I/Oケーブル、およびネットワークケーブルを挿入します。あるいは、それらを底部ケーブル孔から挿入します。
4. ストレインリリーフからケーブルの先端までの距離が530 mmになるように、ストレインリリーフを通じて電源ケーブルを挿入します。



- 1 I/Oケーブル (オプション、付属していません)
- 2 ネットワークケーブル (付属していません)

5. ストレインリリーフからケーブルの先端までの距離が420 mmになるように、ストレインリリーフを通じてI/Oケーブル (オプション) を挿入します。
6. ストレインリリーフからコネクタの先端までの距離が580 mmになるように、ストレインリリーフを通じてネットワークケーブル (光ファイバーケーブルやRJ45ケーブル) を挿入します。さまざまなネットワーク接続オプションの詳細については、136ページの、ネットワークリンクのインストールを参照してください。
7. 3つのストレインリリーフを閉じて締めます。



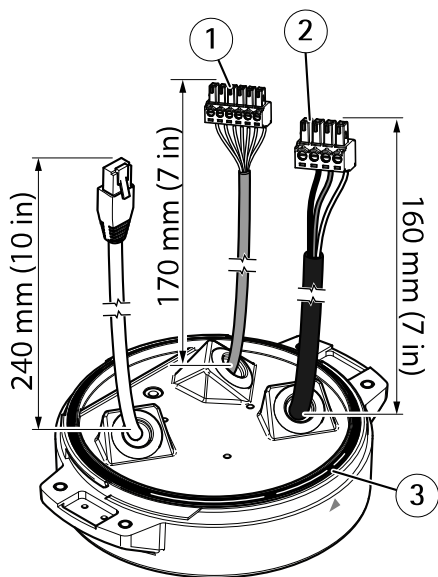
- 1 電源ケーブル (付属していません)
- 2 I/Oケーブル (オプション、付属していません)
- 3 ネットワークケーブル (付属していません)
- 4 ケーブルガasket
- 5 透明ベースユニットカバー

8. ケーブルに合ったケーブルガasketを取り付けます。144ページの、ケーブルの太さを参照してください。
9. 上図に示すように、ケーブルガasketを含めて、電源ケーブル、I/Oケーブル、ネットワークケーブルを透明ベースユニットのカバー孔から挿入し、ケーブルの配置を調整します。

注記

光ファイバーとRJ45ケーブルの両方をネットワーク接続に使用している場合、光ケーブルはI/Oケーブルと同じケーブルガasketを通します。漏電防止のために、シーラントをケーブルとケーブルガasketの間に貼り付けます。さまざまなネットワーク接続オプションの詳細については、136ページの、ネットワークリンクのインストールを参照してください。

10. ベースユニットの透明ベースユニットカバーを交換し、穴の内側にケーブルガasketをはめ込みます。



- 1 I/Oコネクタ
- 2 電源コネクタ
- 3 O-リング

注記

保護アース線は他の2本の線(電源ケーブル)より10 mmほど長くし、引っ張られたときに不意に切断しないようにしてください。

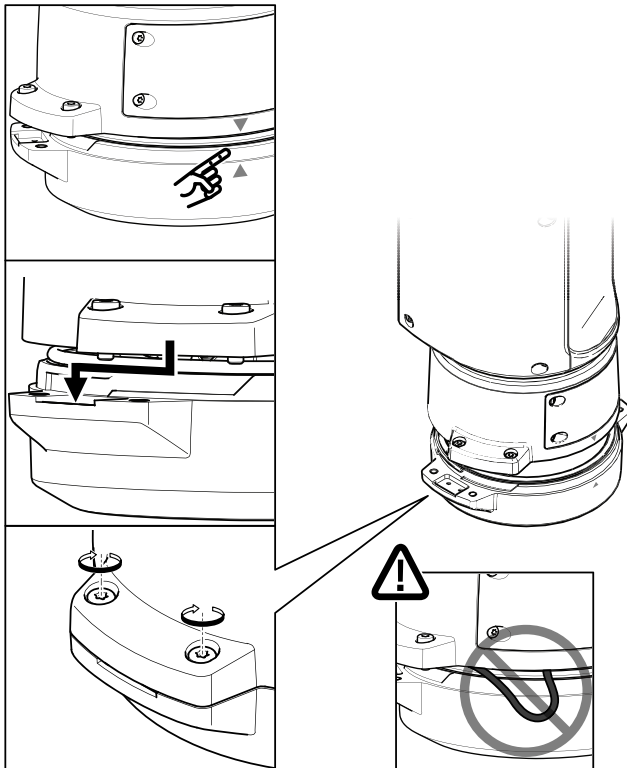
注意

簡単に取り付けるために、電源ケーブルジャケットを約90 mm、およびI/Oケーブルジャケットを70 mm剥ぐことをお勧めします。

11. 142ページの、コネクタを参照して電源およびI/Oコネクタを取り付けます。
12. ネットワークケーブル、I/Oケーブル、および電源ケーブルのケーブルガasketからコネクタの端までの距離が、それぞれ240 mm、170 mm、160 mmになるように調整します。

注記

O-リングが透明ベースユニットカバーに正しく取り付けられていることを確認します。



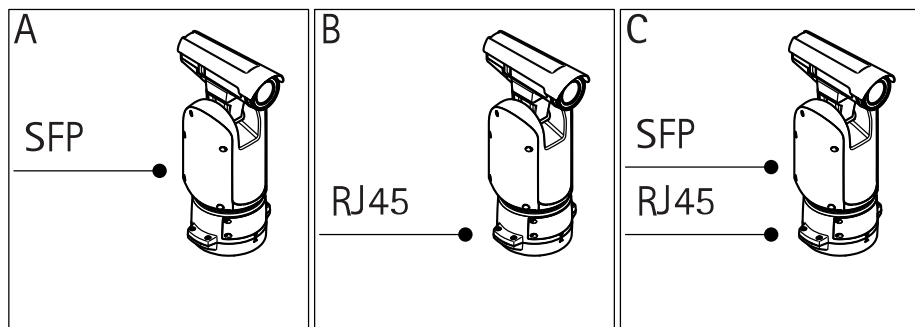
JA

13. ポジショニングユニットをベースユニットの上に戻し、2つのユニット上の矢印の位置が合っていることを確認します。
14. ポジショニングユニットを元の位置に戻るまで時計回りに回し、ベースユニットのネジ4本を締めます (トルク3.0 Nm)。

注記

2つのユニットを取り付けるときにケーブルが締め付けられないように注意してください。

ネットワークリンクのインストール



ネットワークリンクのインストールには、次のようにさまざまなオプションがあります。

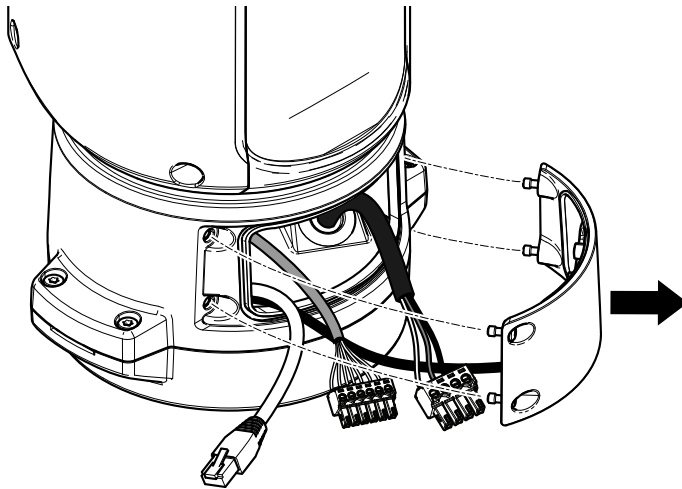
- A: SFPポートで(それぞれのコネクターを使用して) SFPモジュールに接続された光ファイバーまたはRJ45ケーブルを介して接続。
- B: 固定RJ45コネクターに接続されたRJ45ケーブルを介して接続。
- C: 上記の両方を使用して接続。この場合、SFPモジュール経由の接続をプライマリネットワークリンクとして使用し、固定RJ45コネクター経由の接続はフェイルオーバーリンクとして使用します。

ネットワークコネクターの位置の詳細については、142ページの、コネクターを参照してください。

注意

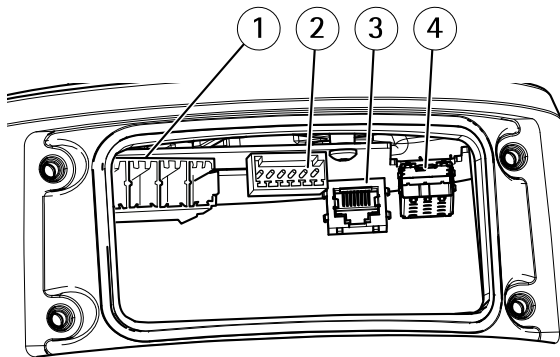
- SFPモジュールは付属していません。利用可能なSFPモジュールについては、www.axis.comを参照してください。
- 当該SFPモジュールを使用する光ファイバーケーブルのみを介してネットワークリンクを確立する方法は、ケーブルを長距離に設置するスタンドアロンのソリューションとして有効です。

ケーブルの接続



JA

1. 4つの蓋止めネジ (T20) をゆるめ、蓋を取り外します。



- 1 入力電力コネクタ
- 2 I/Oコネクタ
- 3 RJ45コネクタ
- 4 SFPモジュール用SFPスロット (SFPモジュールは付属していません)

2. ネットワーク (光ファイバーまたはRJ45) に接続し、I/Oおよび電源ケーブルを接続します。さまざまなネットワーク接続オプションの詳細については、*136ページの、ネットワークリンクのインストール*を参照してください。
3. 蓋を元に戻し、4つの蓋止めネジを締めます (トルク3.0 Nm)。
4. 製品の電源を入れます。

SDカードの装着方法 (オプション)

標準または大容量のmicroSDカード (非付属品) を使用すると、ローカルに録画を行います。SDカードを装着する前に、*126ページの、製品の概要*を参照してください。

1. 本製品の電源を切ります。
2. 裏蓋止めネジを外し、裏蓋を取り外します。
3. SDカードの蓋止めネジを外し、SDカードの蓋を取り外します。
4. microSDカードをSDカードスロットに挿入します。*126ページの、製品の概要*を参照してください。
5. SDカードの蓋を取り付け、ネジを締めます (トルク1.0 Nm)。
6. 裏蓋を取り付け、ネジを締めます (トルク1.0 Nm)。
7. 本製品に電源を再投入します。


製品のアクセス方法

Windows®でネットワーク上のAxisデバイスを見つけて、それらにIPアドレスを割り当てるには、AXIS IP UtilityまたはAXIS Device Managerを使用します。いずれのアプリケーションも無料で、axis.com/supportからダウンロードできます。


製品の使用の詳細については、Axisのホームページ (axis.com) でユーザーズマニュアルを参照してください

工場出荷時の設定にリセットする

▲注意

 損傷の危険があります。可動部分があります。動作中は、体を製品に近づけないでください。製品の設置やメンテナンスを行う前に、電源を切ってください。

▲注意

 損傷の危険があります。表面が熱くなります。動作中は、本製品に触れないでください。製品のメンテナンスを行う前に、電源を切り、表面が冷えるまで待ってください。

重要

工場出荷時の設定へのリセットは慎重に行ってください。工場出荷時の設定へのリセットを行うと、IPアドレスを含むすべての設定が工場出荷時の値にリセットされます。

リセットする前に、126ページの、製品の概要を参照してください。本製品を工場出荷時の設定にリセットするには、以下の手順に従います。

1. 本製品の電源を切ります。
2. 裏蓋止めネジをゆるめ、裏蓋を取り外します。
3. SDカードの蓋止めネジをゆるめ、SDカードの蓋を取り外します。
4. コントロールボタンを押し続けながら電源を再投入します。
5. ステータスLEDインジケーターが黄色で点滅するまで、コントロールボタンを15～30秒間押し続けます。
6. コントロールボタンを離します。プロセスが完了すると、ステータスLEDが緑色に変わります。これで本製品は工場出荷時の設定にリセットされました。ネットワーク上に利用可能なDHCPサーバーがない場合、デフォルトのIPアドレスは192.168.0.90になります。
7. SDカードの蓋を取り付け、ネジを締めます (トルク1.0 Nm)。
8. 裏蓋を取り付け、ネジを締めます (トルク1.0 Nm)。
9. インストール・管理ソフトウェアツールを使用して、IPアドレスの割り当て、パスワードの設定、ビデオストリームへのアクセスを行います。
インストール・管理ソフトウェアツールは、www.axis.com/support/にあるサポートページで入手できます。

関連情報

- 本書の最新バージョンについては、axis.comにアクセスしてください。
- ユーザーズマニュアルは、axis.comで入手できます。
- ご使用のデバイスの新しいファームウェアがリリースされていないかを確認するには、axis.com/supportにアクセスしてください。
- 役に立つオンライントレーニングおよびWebセミナーをご用意しております。axis.com/academyをご覧ください。

オプションアクセサリー

本製品で利用可能なすべてのアクセサリーについては、axis.comで本製品のページを開いて「ソフトウェア&アクセサリー」を参照してください。

保証情報

アクシスの製品保証と関連情報については、axis.com/warrantyをご覧ください。

仕様

最新バージョンの製品のデータシートについては、axis.comで本製品のページを開いて「Support & Documentation (サポートとドキュメント)」へお進みください。


LEDインジケータ

ステータスLED	説明
無点灯	接続時と正常動作時です。
緑	接続時と正常動作時です。
オレンジ	起動時に点灯します。ファームウェアのアップグレード時と工場出荷時設定へのリセット時に点滅します。
オレンジ/赤	ネットワーク接続が利用できないか、失われた場合は、オレンジ/赤色で点滅します。
赤	ファームウェアのアップグレード失敗。


JA

SDカードスロット

▲注意

 損傷の危険があります。可動部分。動作中は、体を製品に近づけないでください。製品の設置やメンテナンスを行う前には電源を切ってください。

▲注意

 損傷の危険があります。表面が熱くなります。動作中は、本製品に触れないでください。製品のメンテナンスを実行する前には電源を切り、表面が冷えるまで待ってください。

注記

- SDカード損傷の危険があります。SDカードの挿入と取り外しの際には、鋭利な工具や金属性の物を使用したり、過剰な力をかけたりしないでください。カードの挿入や取り外しは指で行ってください。
- データ損失や録画データ破損の危険があります。本製品の稼働中はSDカードを取り外さないでください。取り外しの前に、製品のWebページからSDカードをマウント解除してください。

本製品は、microSD/microSDHC/microSDXCカードに対応しています。

推奨するSDカードについては、axis.comを参照してください。

ボタン

コントロールボタン

コントロールボタンの位置については、126ページの、製品の概要を参照してください。

コントロールボタンは、以下の用途で使用します。

- 製品を工場出荷時の設定にリセットする。139ページを参照してください。
- AXIS Video Hosting Systemサービスに接続する。このサービスの詳細については、axis.comを参照してください。

コネクタ

ネットワークコネクタ

RJ45イーサネットコネクタ。

SFPコネクタ。

注記

本製品は、シールドネットワークケーブル (STP) または光ファイバーケーブルを使用して接続してください。本製品は、用途に合ったケーブルを使用してネットワークに接続してください。ネットワーク装置がメーカーの指示どおりに設置されていることを確認します。法的要件については、*Electromagnetic compatibility (EMC) on page 8*を参照してください。

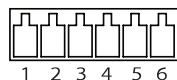
I/Oコネクタ

I/Oコネクタに外部装置を接続し、動体検知、イベントトリガー、アラーム通知などと組み合わせて使用することができます。I/Oコネクタは、0V DC基準点と電力 (DC出力) に加えて、以下のインターフェースを提供します。

デジタル入力 - 開回路と閉回路の切り替えが可能なデバイス (PIRセンサー、ドア/窓の接触、ガラス破損検知器など) を接続するための入力です。

デジタル出力 - リレーやLEDなどの外部デバイスを接続します。接続されたデバイスは、VAPIX®アプリケーションプログラミングインターフェースまたは製品のWebページから有効にすることができます。

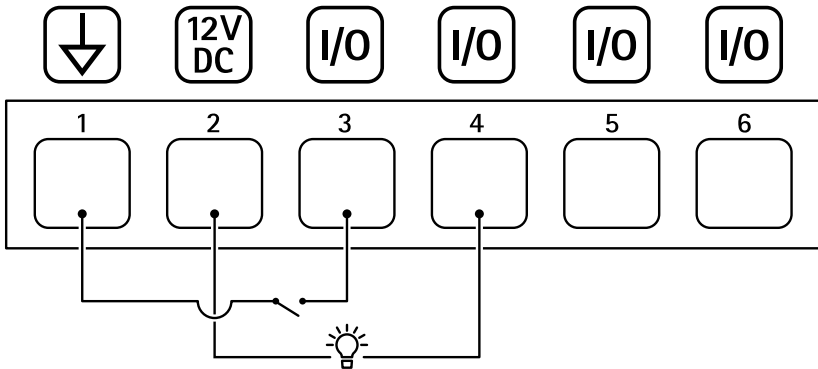
設定可能な6ピンターミナルブロック



機能	ピン	備考	仕様
DCグラウンド	1		0 V DC
DC出力	2	補助装置の電源供給に使用できます。 注: このピンは、電源出力としてのみ使用できます。	12 V DC 最大負荷 = 50 mA
設定可能 (入力または出力)	3-6	デジタル入力 - 動作させるにはピン1に接続し、動作させない場合はフロート状態 (未接続) のままにします。	0~30 V DC (最大)
		デジタル出力 - アクティブ時はピン1 (DCグラウンド) に内部接続し、非アクティブ時はフロート状態 (未接続) にします。リレーなど、誘導負荷とともに使用する場合は、過渡電圧から保護するために、ダイオードを負荷と並列に接続します。	0~30 V DC (最大)、オープンドレイン、100 mA

JA

例



- 1 DCグラウンド
- 2 DC出力12 V、最大50 mA
- 3 I/O (入力として設定)
- 4 I/O (出力として設定)
- 5 設定可能I/O
- 6 設定可能I/O

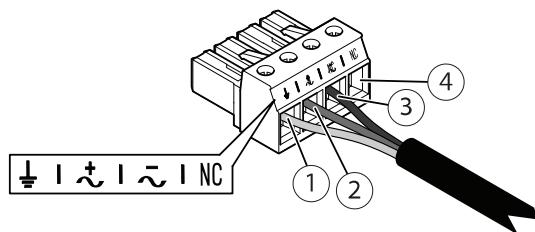
電源コネクタ

電源入力用4ピンターミナルブロック。

24V AC/DC 電源コネクタ

注記

このセクションは、24V AC/DC電源を使用する製品にのみ有効です。



この表は、24V ACおよび24V DC電源コネクタにのみ有効です。

位置	24 V AC	24 V DC
1	保護アース	保護アース
2	24 V ACフェーズ	+ 24 V
3	24 V ACニュートラル	0 V
4	未接続	未接続

ケーブル

ケーブルの太さ

本製品に付属のケーブルガasketを使用する際、ケーブルは直径が5~11 mmのものを使用する必要があります。

注記

- 指定のケーブルエリアに収まるケーブルを使用してください
- 地域の規制に適合したケーブルを選択してください
- すべてのケーブル孔が適切に密封されていることを確認してください
- ケーブル孔とケーブルエリアの両方に適合するケーブルガasketまたはケーブルグランドを使用してください

他のケーブルエリアに対応するケーブルガスカート、ケーブルグランドなどのアクセサリーについては、www.axis.comを参照してください。

動作条件

本製品は屋内および屋外対応モデルです。

温度	湿度
動作: -40 ° C ~ 60 ° C	10 ~ 100% RH (結露不可)

消費電力

製品	通常消費電力	最大消費電力
AXIS Q8641-E 24 V AC/DC*	16 W	182 W
AXIS Q8642-E 24 V AC/DC*		

JA

重要

*22 mのAXISケーブル (24 V DC/24 ~ 240 V AC) を使用する場合、ケーブル内の電力損失を補償するには220 Wを供給可能な電源が必要です。

注記

通常消費電力値は以下の条件で算出されます。

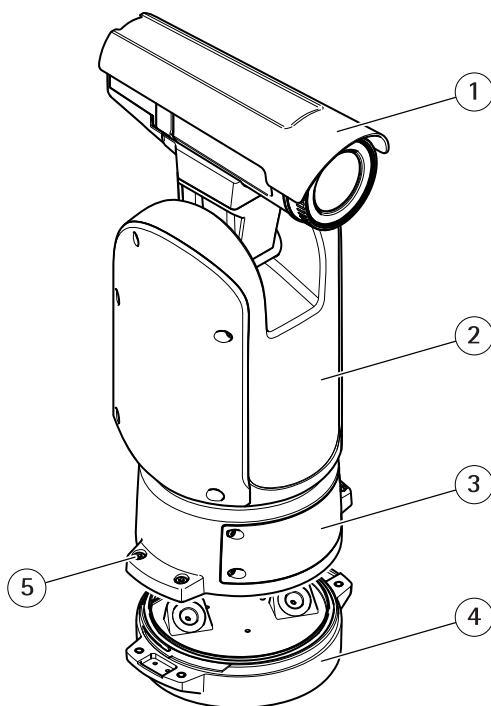
- 電源ケーブル内の電力損失は考慮しない。
- ポジショニングが有効になっていない。
- 温度は25 ° C (すべてのヒーターを切る)。
- 最大解像度でのH.264ストリーミング1本。
- MJPEGストリームはSDカードに録画される。

包装内容

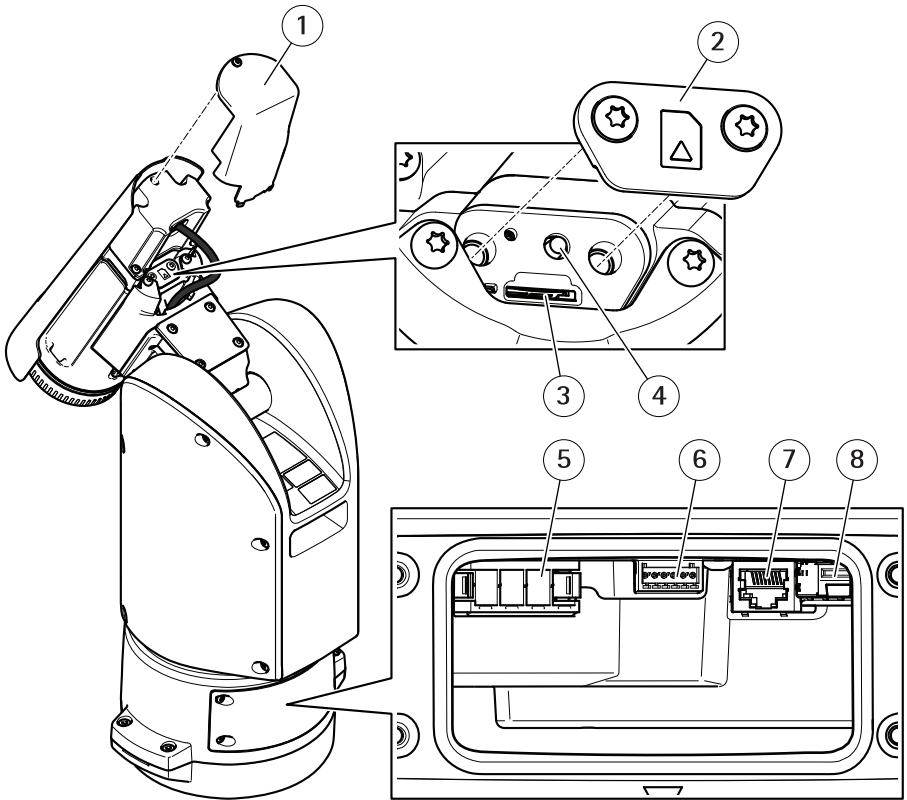
- AXIS Q8641-E 或 AXIS Q8642-E PT 热成像网络摄像机
- 电源连接器
- I/O 连接器
- Torx® 批头 T20 和 T30
- 印刷资料
 - 安装指南（本文档）
 - 额外的序列号标签（2 个）
 - AVHS 身份验证密钥

产品概述

有关硬件组件的规格，请参见 *规格* 在第163页



- 1 遮阳板
- 2 定位摄像机
- 3 盖
- 4 底座单元
- 5 底座单元螺丝



- 1 后盖
- 2 SD 卡盖
- 3 SD 卡插槽
- 4 控制按钮
- 5 输入电源连接器
- 6 I/O 连接器
- 7 RJ45 连接器
- 8 SFP 模块的 SFP 插槽 (不包括 SFP 模块)

如何安装产品

⚠危险

电击风险。安装产品之前，电缆都应断电。

⚠小心

电气连接和导线管安装应由经过认证的电工执行，并遵守当地法规。

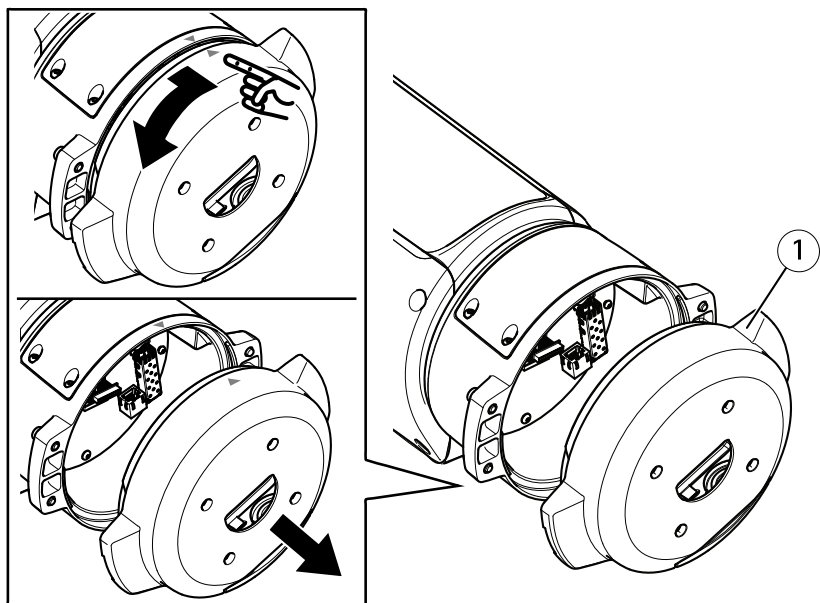
⚠小心

⚠伤害风险。活动部件。操作期间，请保持身体部位远离产品。安装或维护产品时，请断开电源。

⚠小心

⚠伤害风险。灼热的表面。请勿在操作期间触摸该产品。执行产品维护时，请断开电源并让表面冷却。

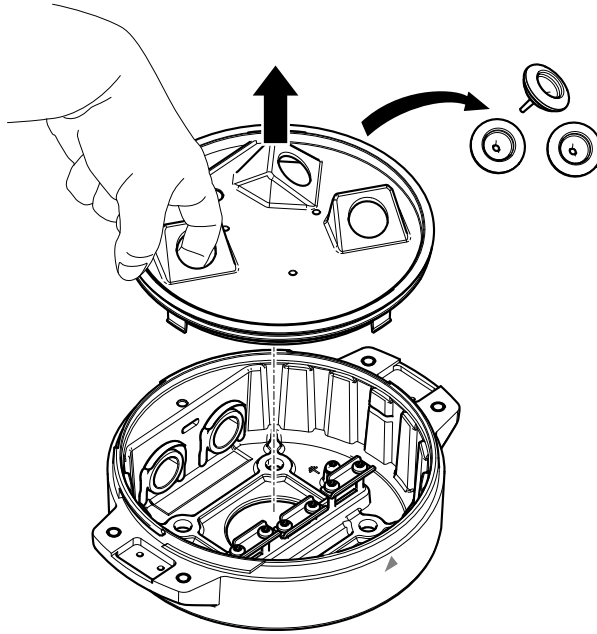
安装底座单元



1 底座单元

1. 移除四颗底座单元螺丝 (T30)。

2. 同时逆时针拉转底座单元，直到底座单元和该单元其余部分的箭头对齐。
3. 移除底座单元。

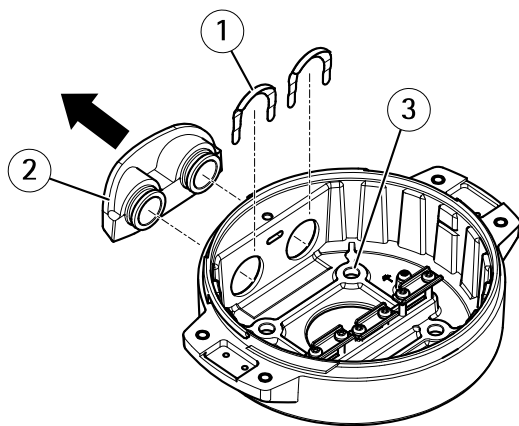


ZH

注意

移除透明底座单元盖板时，请勿使用尖锐工具。

4. 移除透明底座单元盖板。



- 1 导线管盖夹
- 2 导线管盖
- 3 螺丝孔 (4 个)

5. 仅适用于导线管安装：取下两个导线管盖夹，然后取下导线管盖。
6. 在四个螺丝孔中使用适当的紧固件将底座单元固定到安装表面。

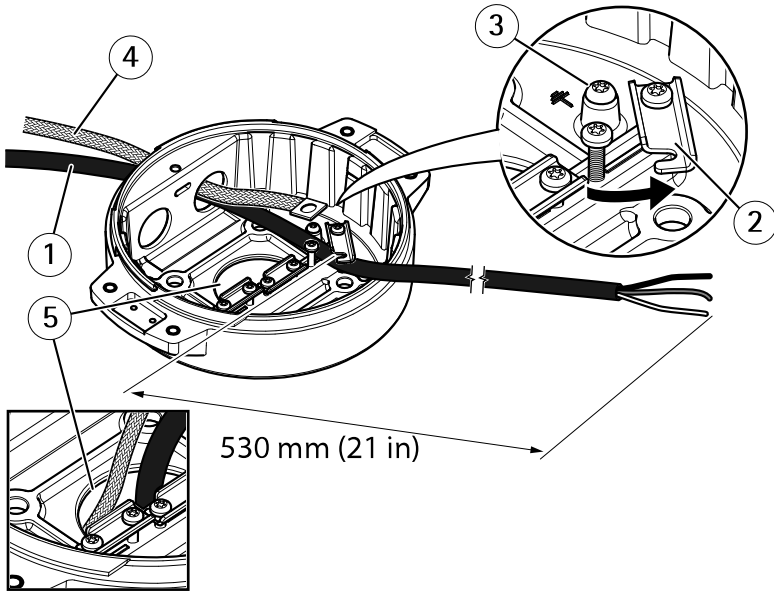
布线

⚠警告

电击风险。本产品应同时使用电源线中的保护地线和接地编织层进行接地。确保保护地线和接地编织层的两端与其各自的接地表面接触。

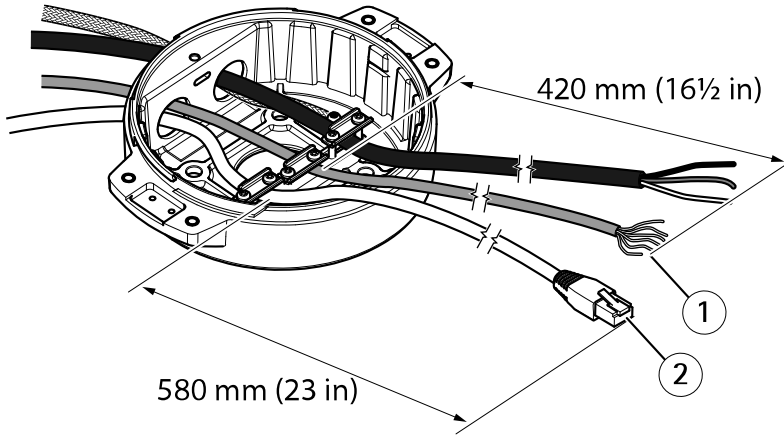
重要

仅使用符合指定电缆区域要求的电缆。有关详细信息，请参见 *电缆厚度* 在第166页。



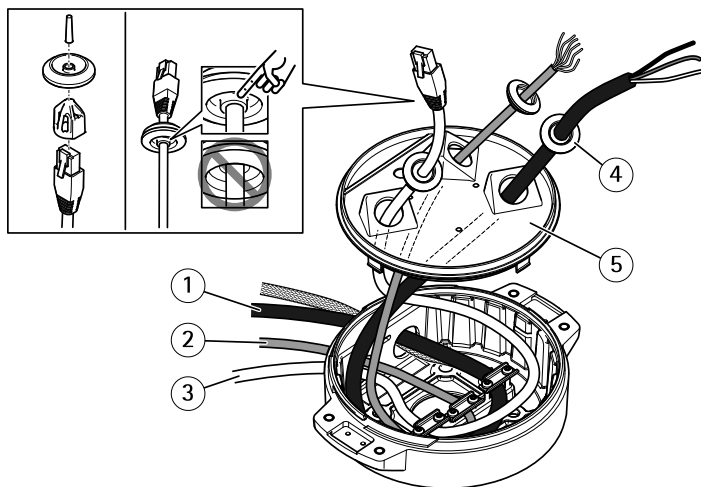
- 1 电源线 (不包括)
- 2 应力消除器
- 3 接地螺丝
- 4 接地编织层 (不包括)
- 5 底部电缆孔

1. 安装可选的导线管适配器 (不包括)。
2. 将接地编织层连接到接地螺丝。
3. 将电源线、I/O 电缆和网络电缆穿过底座单元上的孔 (如上图所示)。或者, 将其穿过底部电缆孔。
4. 将电源线穿过应力消除器, 并保持应力消除器与电缆末端距离为 530 毫米 (21 英寸)。



- 1 I/O 电缆 (可选, 不包括)
- 2 网络电缆 (不包括)

5. 将 I/O 电缆 (可选) 穿过应变消除件, 并使应变消除件至电缆端的距离为 420 毫米 (16½ 英寸)。
6. 将网络电缆 (光纤电缆和/或 RJ45 电缆) 穿过应力消除器, 并保持应力消除器与连接器末端的距离为 580 毫米 (23 英寸)。有关不同网络连接选项的详细信息, 请参见 [安装网络链路](#) 在第 158 页。
7. 合上并拧紧这三个应力消除器。



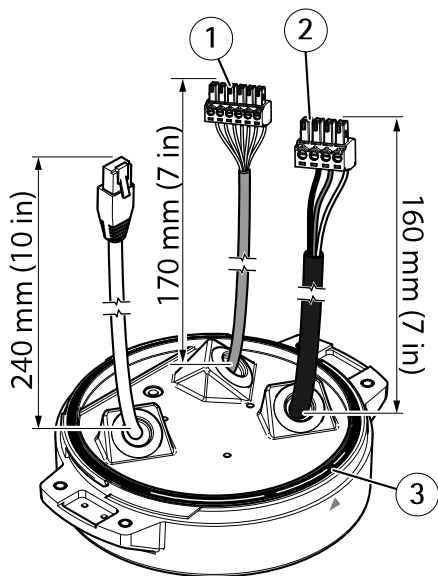
- 1 电源线 (不包括)
- 2 I/O 电缆 (可选, 不包括)
- 3 网络电缆 (不包括)
- 4 电缆垫片
- 5 透明底座单元盖板

8. 将电缆垫片安装到电缆上。请参见 *电缆厚度* 在第166页。
9. 将电源线、I/O 电缆和网络电缆 (包括电缆垫片) 穿过透明底座单元盖板上的孔, 然后按照上图所示进行布线。

注意

如果您同时使用光纤电缆和 RJ45 电缆进行网络连接, 请将光纤电缆与 I/O 电缆穿过同一电缆垫片。在电缆和电缆垫片之间涂抹密封剂以防电缆滑出。有关不同网络连接选项的详细信息, 请参见 *安装网络链路* 在第158页。

10. 更换底座单元上的透明底座单元盖板, 并将电缆垫片安装在孔内。



- 1 I/O 连接器
- 2 电源连接器
- 3 O 形环

注意

保护地线务必比其他两条线（在电源线中）长约 10 毫米（3/8 英寸），以免拉扯时意外断开。

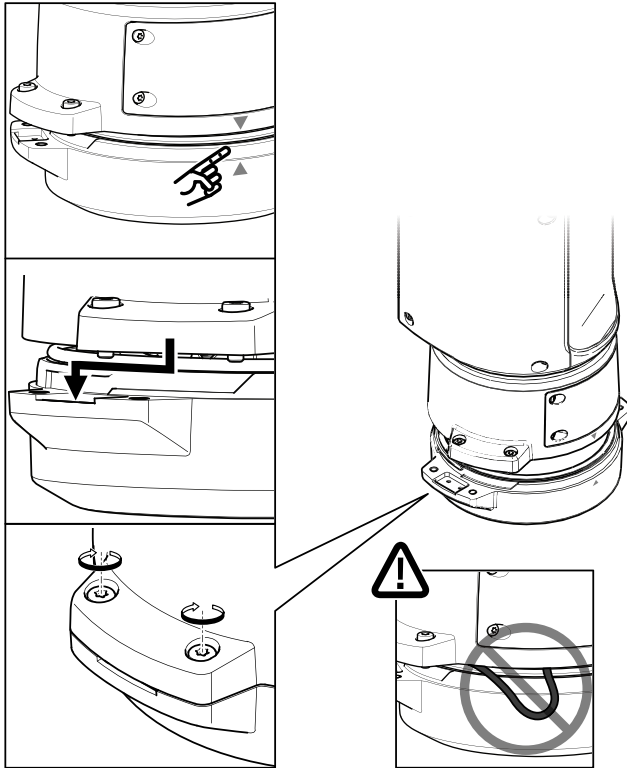
备注

我们建议您分别将电源电缆护套和 I/O 电缆护套剪下大约 90 毫米（3½ 英寸）和 70 毫米（2¾ 英寸），以便安装。

11. 安装电源连接器和 I/O 连接器，请参见 [接口](#) 在第164页。
12. 调整网络、I/O 和电源线，以使电缆垫片与连接器末端的距离分别为 240 毫米（10 英寸）、170 毫米（7 英寸）及 160 毫米（7 英寸）。

注意

确保 O 型环正确安装在透明底座单元盖板周围。

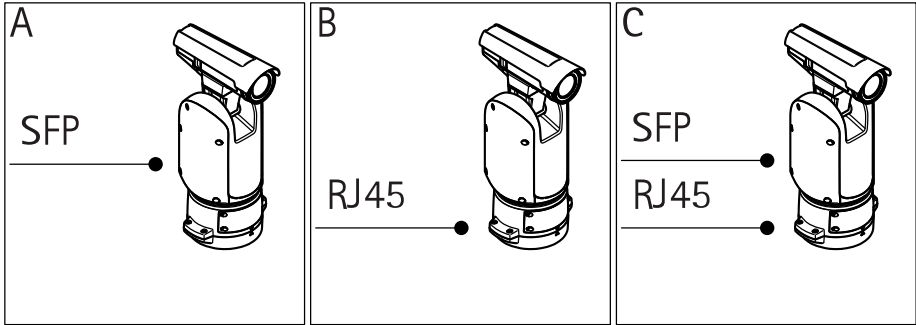


13. 调整底座单元上的定位单元，从而确保两个单元上的箭头对齐。
14. 按顺时针方向将定位装置转回至其初始位置并拧紧 4 个底座装置螺丝（扭矩 3.0 牛米）。

注意

在安装 2 个装置时，请确保电缆未被夹扁。

安装网络链路



您有不同的网络链路安装选项：

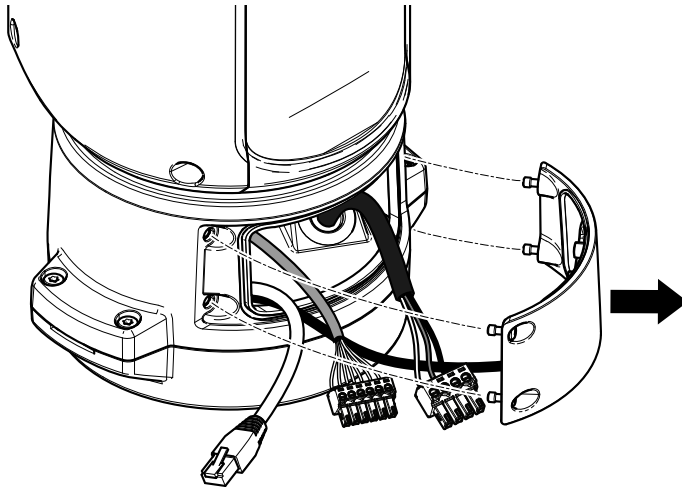
- A：通过光纤电缆或与 SFP 插槽中的 SFP 模块（带有相应的连接器）连接的 RJ45 电缆。
- B：通过与固定式 RJ45 连接器连接的 RJ45 电缆。
- C：同时连接上述两种电缆，在此情况下，通过 SFP 模块实现的连接用作主网络链路，而通过固定式 RJ45 连接器实现的连接用作故障转移链路。

有关网络连接器位置的详细信息，请参见 [接口 在第164页](#)。

备注

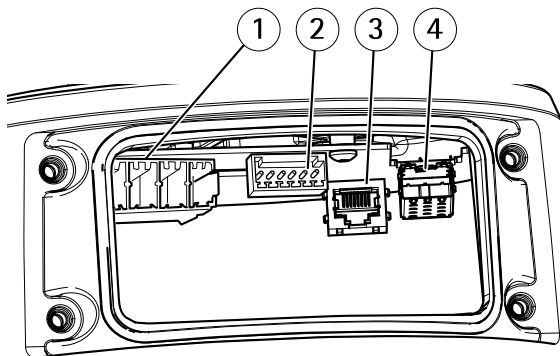
- 不包括 SFP 模块。有关可用 SFP 模块的详细信息，请参见 www.axis.com
- 仅通过使用相应 SFP 模块的光纤电缆建立网络链路可用作远程布线安装的独立解决方案。

连接电缆



1. 松开四颗盖子螺丝 (T20)，然后取下盖子。

ZH



- 1 输入电源连接器
- 2 I/O 连接器
- 3 RJ45 连接器
- 4 SFP 模块的 SFP 插槽 (不包括 SFP 模块)

2. 连接网络 (光纤和/或 RJ45)、I/O 和电源线。有关不同网络连接选项的详细信息，请参见 [安装网络链路](#) 在第158页。

3. 更换盖子，然后拧紧四颗盖子螺丝（扭矩 3.0 Nm）。
4. 接通产品电源。

如何安装 SD 卡（可选）

标准或大容量 microSD 卡（不包括）可用于在产品中本地存储录制内容。安装 SD 卡之前，请参见 *产品概述* 在第 148 页。

1. 断开产品电源。
2. 移除后盖螺丝，然后取下后盖。
3. 移除 SD 卡盖螺丝，然后取下 SD 卡盖。
4. 将 microSD 卡插入 SD 卡插槽，请参见 *产品概述* 在第 148 页。
5. 装上 SD 卡盖并拧紧螺丝（扭矩 1.0 Nm）。
6. 装上后盖并拧紧螺丝（扭矩 1.0 Nm）。
7. 重新连接产品电源。


如何访问产品

若要在网络中查找安讯士设备并为它们分配 Windows® 中的 IP 地址，请使用 AXIS IP Utility 或 AXIS 设备管理器。这两种应用程序都是免费的，可以从 axis.com/support 上进行下载。


有关使用产品的更多信息，请参阅 axis.com 上提供的用户手册。

重置为出厂默认设置

小心

 受伤风险。活动部件。操作期间，请保持身体部位远离产品。安装或维护产品时，请断开电源。

小心

 受伤风险。灼热的表面。请勿在操作期间触摸该产品。执行产品维护时，请断开电源并让表面冷却。

重要

重置为出厂默认设置时应谨慎。重置为出厂默认值会将所有设置（包括 IP 地址）重置为出厂默认值。

重置之前，请参见 *产品概述* 在第 148 页。将产品重置为出厂默认设置：

1. 断开产品电源。
2. 松开后盖螺丝，然后取下后盖。
3. 松开 SD 卡盖螺丝，然后取下 SD 卡盖。
4. 按住控制按钮并重新连接电源。
5. 按住控制按钮 15–30 秒，直到状态 LED 指示灯呈淡黄色闪烁。
6. 松开控制按钮。当状态 LED 指示灯变绿时，此过程完成。产品已重置为出厂默认设置。如果网络上没有可用的 DHCP 服务器，则默认 IP 地址为 192.168.0.90
7. 装上 SD 卡盖并拧紧螺丝（扭矩 1.0 Nm）。
8. 装上后盖并拧紧螺丝（扭矩 1.0 Nm）。
9. 使用安装和管理软件工具分配 IP 地址、设置密码和访问视频流。
安装和管理软件工具可从 www.axis.com/support 上的支持页面获取。

更多信息

- 有关本文档的最新版本，请参见 axis.com
- 用户手册可从 axis.com 获取
- 要检查是否有设备的可用更新固件，请参见 axis.com/support
- 如需有用的在线培训和在线研讨会，请参见 axis.com/academy

可选附件

欲查看本产品可用附件的完整列表，请转到 axis.com 上的产品页并选择“软件和附件”。

质保信息

有关安讯士产品质保的信息及相关信息，请转到 axis.com/warranty。

规格


要查找最新版本的产品数据表，请转到 axis.com 上的产品页并查找 **支持和文档**。

LED 指示灯


LED 状态指示灯	指示
不亮	连接和正常工作。
绿色	连接和正常工作。
橙色	在启动期间稳定。在固件升级过程中或重置为出厂默认值时闪烁。
橙色/红色	如果网络连接不可用或丢失，则呈橙色/红色闪烁。
红色	固件升级失败。

SD 卡插槽

小心

 受伤风险。活动部件。操作期间，请保持身体部位远离产品。安装或维护产品时，请断开电源。

小心

 受伤风险。灼热的表面。请勿在操作期间触摸该产品。执行产品维护时，请断开电源并让表面冷却。

注意

- 损坏 SD 卡的风险。插入或取出 SD 卡时，请勿使用锋利的工具、金属物体或过大力气。使用手指插入和取出该卡。
- 数据丢失和录制内容损坏的风险。产品正在运行时，请勿取出 SD 卡。在取出 SD 卡之前，请先从产品的网页上卸载 SD 卡。

本产品支持 microSD/microSDHC/microSDXC 卡。

有关 SD 卡的建议，请参见 axis.com。

按钮

控制按钮

有关控制按钮的位置，请参见 *产品概述* 在第 148 页。

控制按钮用于：

- 将产品重置为出厂默认设置。请参见第161页。
- 连接至安讯士视频托管系统服务。要查找更多关于此服务的信息，请参见 axis.com

接口

网络连接器

RJ45 以太网连接器。

SFP 连接器。

注意

该产品应使用屏蔽网络电缆 (STP) 或光纤电缆进行连接。将产品连接到网络的电缆应专用于其特定用途。确保根据制造商的说明安装网络设备。有关法规要求的信息，请参见 *Electromagnetic compatibility (EMC) on page 8*。

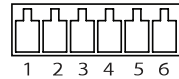
I/O 连接器

在外部设备结合了移动侦测、事件触发和报警通知等功能的情况下，使用 I/O 连接器。除 0 V DC 参考点和电源 (DC 输出) 外，I/O 连接器还提供连接至以下模块的接口：

数字输入 – 用于连接可在开路 and 闭路之间切换的设备，例如 PIR 传感器、门/窗触点和玻璃破碎侦测器。

数字输出 – 用于连接继电器和 LED 等外部设备。已连接的设备可通过 VAPIX® 应用程序编程接口或从产品网页进行激活。

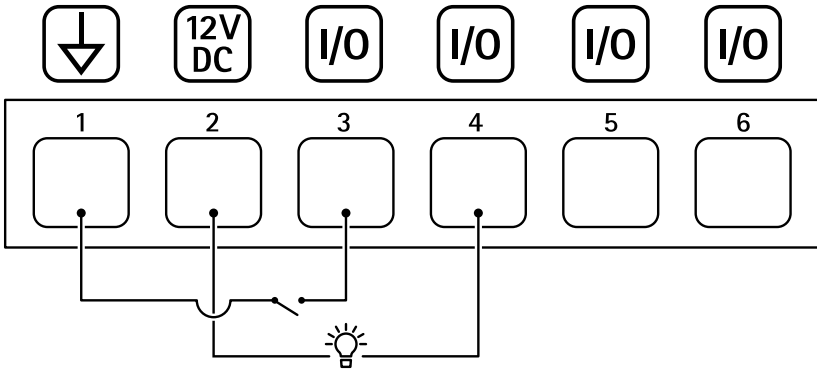
6 针可配置接线端子



功能	针脚	注意事项	规格
DC 接地	1		0 V DC
DC 输出	2	可用于为辅助设备供电。 注意：此针脚只能用作电源输出。	12 V DC 最大负载 = 50 mA

可配置（输入或输出）	3-6	数字输入 - 连接至针 1 以启用，或保留浮动状态（断开连接）以停用。	0 至最大 30 V DC
		数字输出 - 启用时内部连接至针 1（DC 接地），停用保留浮动状态（断开连接）。如果与电感负载（如继电器）一起使用，则将二极管与负载并联连接，以防止电压瞬变。	0 至最大 30 VDC，开漏，100 mA

示例



- 1 DC 接地
- 2 DC 输出 12 V，最大 50 mA
- 3 I/O 配置为输入
- 4 I/O 配置为输出
- 5 可配置的 I/O
- 6 可配置的 I/O

电源连接器

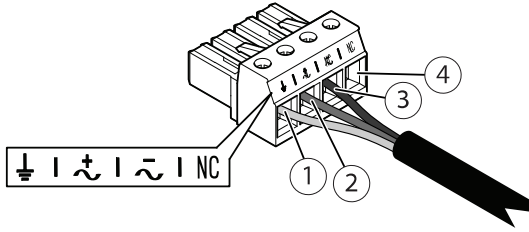
4 针接线端子，用于电源输入。

24 V AC/DC 电源连接器

注意

本部分仅适用于由 24 V AC 和 24 V DC 供电的产品。

ZH



此表仅适用于 24 V AC 和 24 V DC 电源连接器。

位置	24 V AC	24 V DC
1	保护接地	保护接地
2	24 V AC 相	+ 24 V
3	24 V AC 零线	0 V
4	未连接	未连接

电缆

电缆厚度

使用本产品随附的电缆垫片时，电缆直径应在 5 至 11 毫米（0.2 至 0.4 英寸）的范围内。

注意

- 使用保持在指定电缆区域内的电缆
- 选择符合当地法规的电缆
- 确保电缆孔都已正确密封
- 使用与电缆孔和电缆区域相匹配的电缆垫圈或电缆套管

有关附件（如适合其他电缆区域的电缆垫圈和电缆套管）的信息，请参见 www.axis.com

工作条件

安讯士产品适用于室内和室外使用。

温度	湿度
工作： -40 ° C 到 60 ° C (-40 ° F 到 140 ° F)	10-100% RH (非冷凝)

功耗

产品	标准功耗	最大功耗
AXIS Q8641-E 24 V AC/DC*	16 W	182 W
AXIS Q8642-E 24 V AC/DC*		

重要

*使用 22 米 (72 英尺) AXIS 电缆 24 V DC/24-240 V AC 时，需要能够提供 220 W 的电源，以补偿电缆中的功率损耗。

注意

标准功耗值基于以下因素：

- 忽略电源线中的损耗。
- 没有运行的定位单元。
- 关闭加热器时，温度为 25 ° C (77 ° F)。
- 具有最大分辨率的一个 H.264 流。
- 录制到 SD 卡的 MJPEG 流。

Installation Guide

AXIS Q86 Series

© Axis Communications AB, 2017 - 2020

Ver. M4.3

Date: March 2020

Part No. 2136041