



T3-2DP

EN ES DE FR CH KO JP

Setup guide - Guía de configuración - Setup-Anleitung - Guide d'installation

安裝手冊 - 安裝手冊 - 설치 안내서 - セットアップガイド



To download the latest version of this document,
please visit our website at
<https://www.akitio.com/support/user-manuals>



E15-575A1AA001

Version 1.0
June 1, 2018



© 2018 by AKiTiO - All Rights Reserved

AKiTiO assumes no responsibility for any errors or differences between the product you may have and the one mentioned in this document and reserves the right to make changes in the specifications and/or design of this product without prior notice. The diagrams contained in this document are for reference and may not fully represent the real product. AKiTiO assumes no responsibility for any loss of data or files.

www.akitio.com

Thunderbolt™ to Dual DisplayPort Adapter



Thunderbolt™ 3 (40 Gbps)

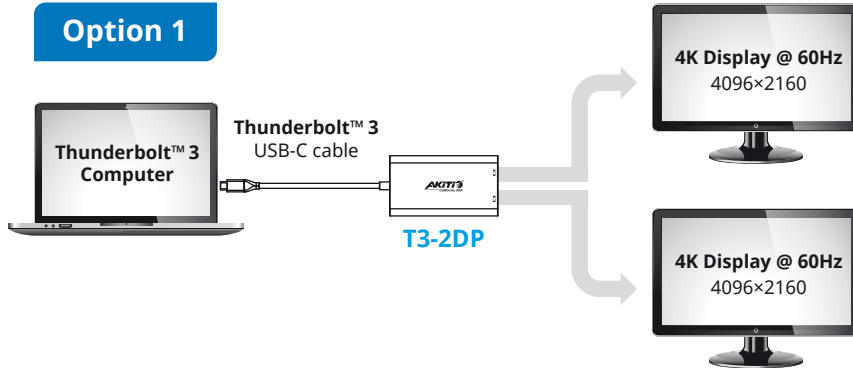
Thunderbolt 3 (USB-C) cable
Cable Thunderbolt 3 (USB-C)
Thunderbolt 3 (USB-C) Kabel
Câble Thunderbolt 3 (USB-C)
Thunderbolt 3 (USB-C) 連接線
Thunderbolt 3 (USB-C) 连接线
Thunderbolt 3 (USB-C) 케이블
Thunderbolt 3 (USB-C) ケーブル

DisplayPort 1.2 (2x 4K at 60Hz)

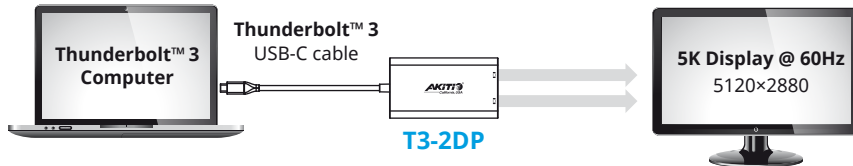
DisplayPort interface
Interfaz DisplayPort
DisplayPort-Anschluss
Interface DisplayPort
DisplayPort 連接埠
DisplayPort 连接端口
인터페이스 표시
DisplayPort 포트

Thunderbolt and the Thunderbolt logo are trademarks of Intel Corporation in the U.S. and/or other countries.

Option 1



Option 2



⚠ IMPORTANT NOTICE ⚠

Not all Thunderbolt 3 computers support two 4K displays or one 5K display over Thunderbolt, in which case only one 4K display can be used. For more information, please contact the manufacturer of your computer.

DisplayPort outputs can be converted to HDMI, DVI or VGA but only with an **active** adapter (sold separately). Passive adapters are not compatible.

Your PC may need updates for the Thunderbolt 3 ports to function properly. For more information go to

<https://thunderbolttechnology.net/updates>

