



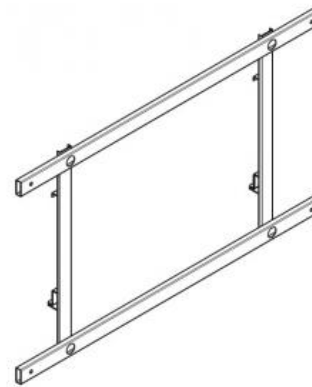
Ready when you are

# M CISCO Spark Board Kit 55 for Manual & Motorized Mount HD/SD

Article: 7 350 073 735 426

M CISCO Spark Board Kit 55 for Manual & Motorized Mount HD/SD - Mounting component (CISCO Spark Board 55" adapters) for Cisco Spark Touchscreen - steel - black epoxy - screen size: 55"

Product category: MOTORIZED



## Specification

### M CISCO Spark Board Kit 55 for Manual & Motorized Mount HD/SD

<b>Article No:</b>	7 350 073 735 426
<b>Suitable for:</b>	CISCO Spark Board 55
<b>Feature:</b>	Holder for CISCO displays
<b>Colour:</b>	Black
<b>Material:</b>	Steel
<b>Adjustable Height/Tilt:</b>	Yes, with pillar
<b>Max load:</b>	160 kg
<b>Package Size in mm: (WxDxH)</b>	1215 x 110 x 55 mm
<b>Weight:</b>	6.0 kg
<b>Warranty:</b>	5 years

### Retail Package Specification

<b>Package Parcels:</b>	1 pcs
<b>Package Measurements:</b>	121.5 x 11 x 5.5 cm
<b>Package Weight:</b>	6.00 kg

Please note: Multibrackets products and specifications are in constant change.

View the latest specifications, drawings and images for this product on [www.multibrackets.com/5426](http://www.multibrackets.com/5426)