

Installation manual

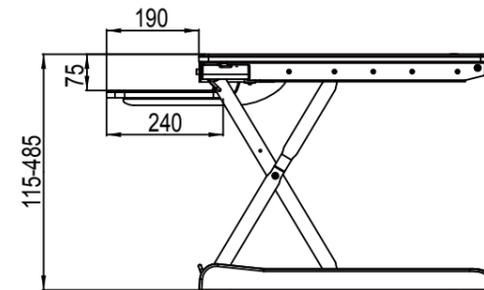
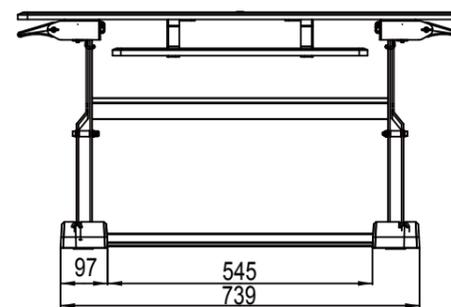
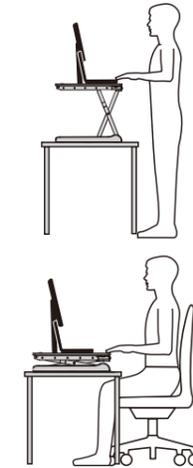
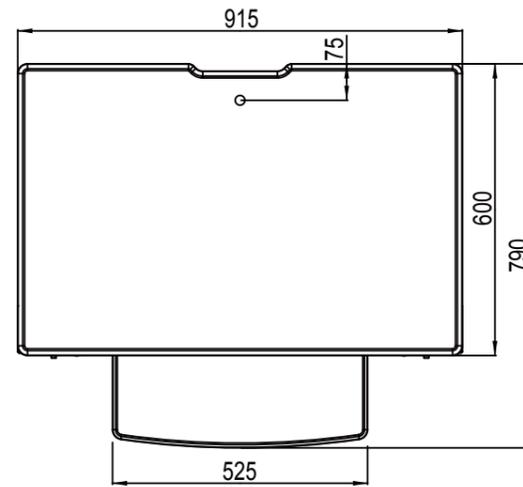
M Deskstand Workstation II

EAN: 7 350 073 734 344

- ar تثبيت الطاولة
- cz Instalační manuál
- da Installationsmanual
- de Installationsanleitung
- ee Paigaldusjuhend
- el Οδηγίες εγκατάστασης
- es Manual de instalación
- fi Asennusohje
- fr Installation Manuel
- he הנקתה יררדמ
- hu Szerelési kézikönyv
- it Manuale di installazione
- jp 取り付け説明書
- kr 설치 설명서
- li Montavimo instrukcija
- lt Uzstādīšanas rokasgrāmata
- nl Installatie handleiding
- no Installasjonshåndbok
- pl Instrukcja instalacji
- pt Manual de instalação
- ro Manual de instalare
- ru Инструкция по установке
- sk Inštalčný manuál
- sl Navodila za montažo
- sv Installationsmanual
- tr Montaj kılavuzu
- zh 安装手册



Physical Dimensions(mm):



CAUTION
DO NOT EXCEED
MAXIMUM LISTED WEIGHT
CAPACITY. SERIOUS INJURY
OR PROPERTY DAMAGE MAY OCCUR !

WARRANTY CARD

MULTIBRACKETS.COM

MULTIBRACKETS™ Limited Warranty
Multibrackets warrants its products to be free of defects in material and workmanship for the product's Warranty Period. The Warranty Period commences on the original purchase date of the product.

All Multibrackets products are covered by a limited product warranty:

- FIVE (5) years for metal video monitor mounts; all racks and non-electrical rack accessories
- TWO (2) years for gaslifts and sit-stand workstations
- ONE (1) year for all motorized and/or automated products, plastic speaker mounts; all speaker stands; all furniture; all wood (MDF) accessories

For warranty claims made during the Warranty Period, MULTIBRACKETS will replace any defective product part free of charge. Should a part on your Multibrackets product fail, please create an RMA case on www.multibrackets.com/support to make a warranty claim. We will await your documentation and then discuss the problem with you and once we confirm the product is under warranty, we will ship replacement parts to you. This Limited Warranty does not cover the costs of removing and replacing defective parts from your Multibrackets product. So, if your problem requires a repair technician, you must pay any labor charges. This Limited Warranty extends only to the original purchaser of the product and is automatically void if your Multibrackets product is modified in any way, improperly installed, taxed beyond its stated weight capacity or otherwise misused or abused. All Multibrackets products are intended for indoor use only and any

outdoor use voids this Limited Warranty. The Limited Warranty for wall and ceiling mounts is void if the mount is moved from its initial installation. To the maximum extent permitted by applicable law, Multibrackets disclaims any other warranties, express or implied, including warranties of fitness for a particular purpose and warranties of merchantability. Multibrackets will not be liable for any damages whatsoever arising out of the use or inability to use its products, even if Multibrackets has been advised of the possibility of such damages. To the maximum extent permitted by applicable law, Multibrackets disclaims any responsibility for incidental or consequential damages.

Multibrackets™ Stockholm Sweden 2016.
www.multibrackets.com

Safety

Warning: Due to variety of mounting surface material, it is imperative that you make sure mounting surface is strong enough to handle mounted product and equipment.

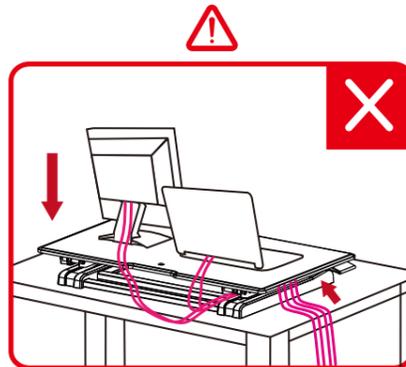
WARNING
DO NOT place hands on or near support bars. Pinch points are created during lifting and lowering the worksurface. Failure to follow these instructions may result in serious personal injury.



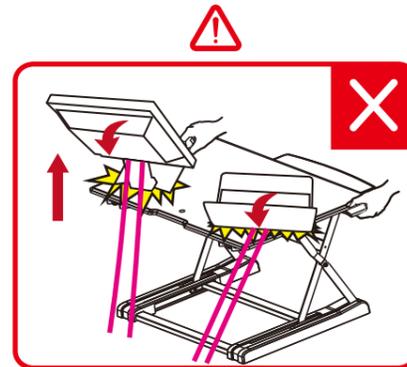
Warning: Impact Hazard! On the working surface under tension, moving parts can be squeezed and cut. Lift up the worksurface to its top position before removing the device. Not paying attention to this warning can lead to serious personal injury and property damage!



Warning: Impact Hazard! Moving parts can be squeezed and cut. Lift the product to its top position before raising off the desk. Need two people to lift this product away from desk. Do not tip the product side or upside down. The product must always remain upright. Please pay attention to these warnings, may lead to unexpected movements of the lifting mechanism may result in serious personal injury and property damage.



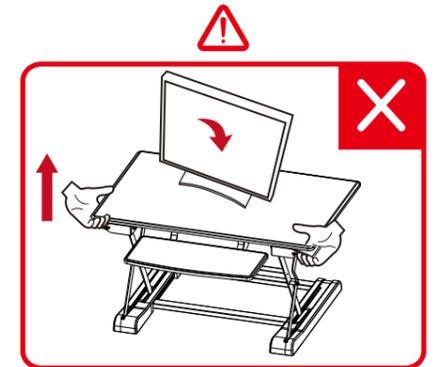
Caution: In order to avoid the potential of the pinch cable it is important to follow the instructions of the cable management in this manual. If you do not follow these instructions, may cause damage to equipment or personal injury.



Caution: Leave enough slack in cable to allow for full range of vertical motion. Failure to follow this warning may result in property damage and or personal injury.



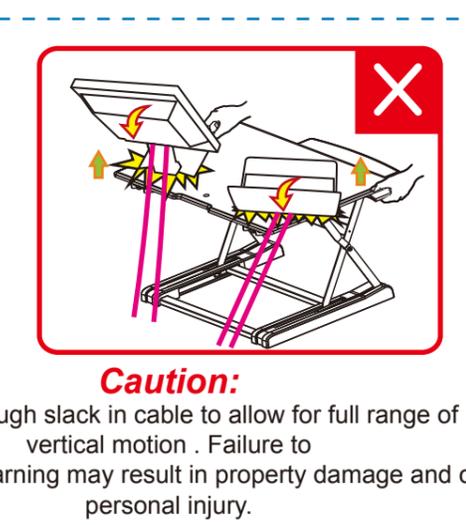
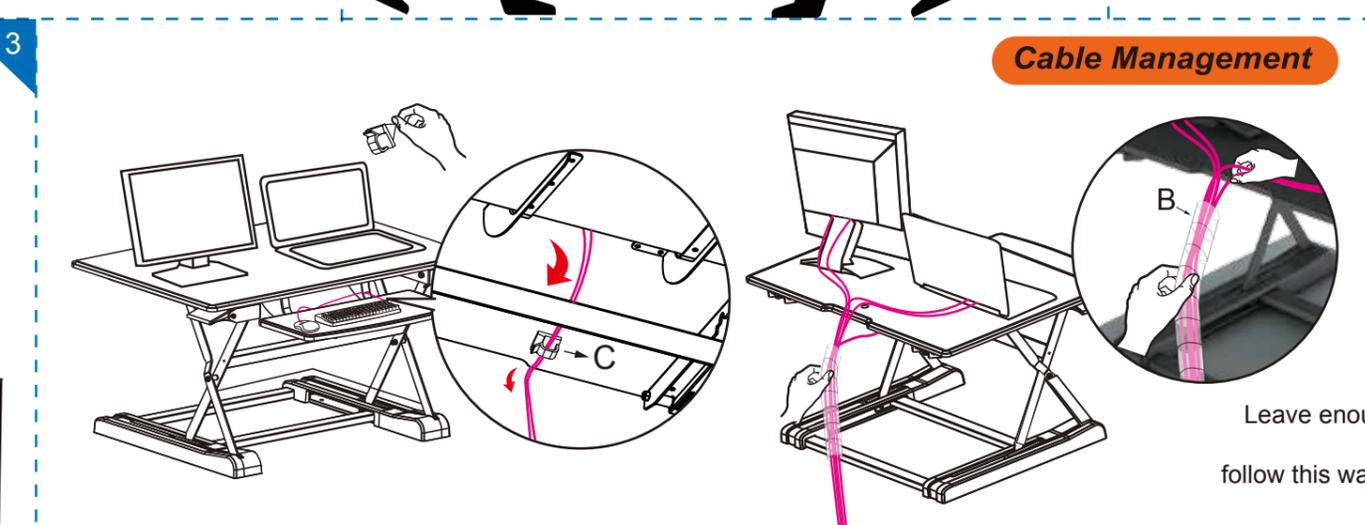
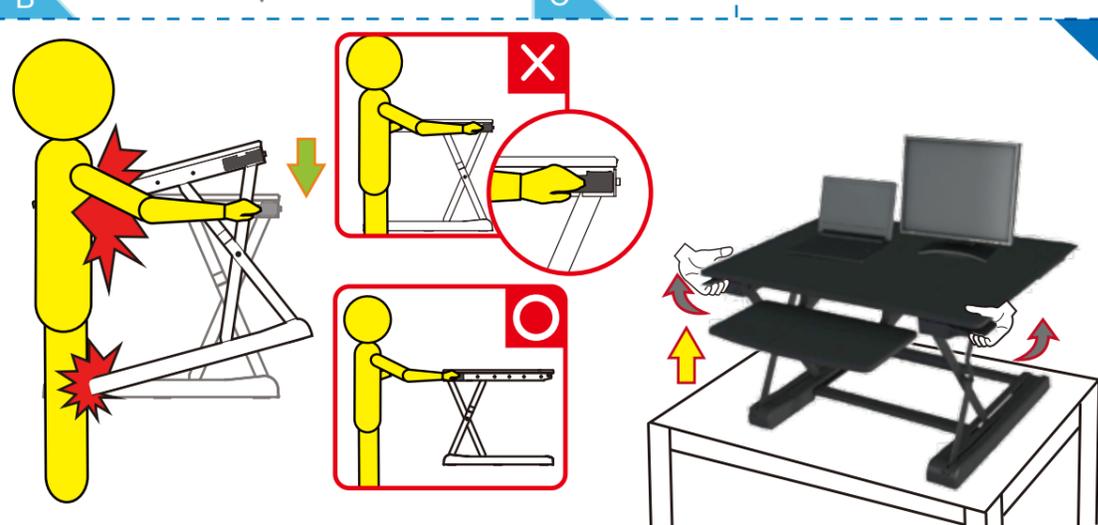
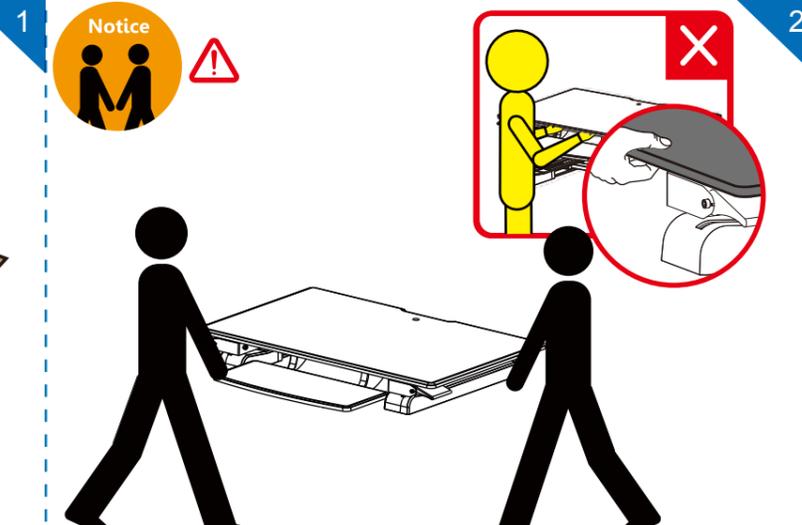
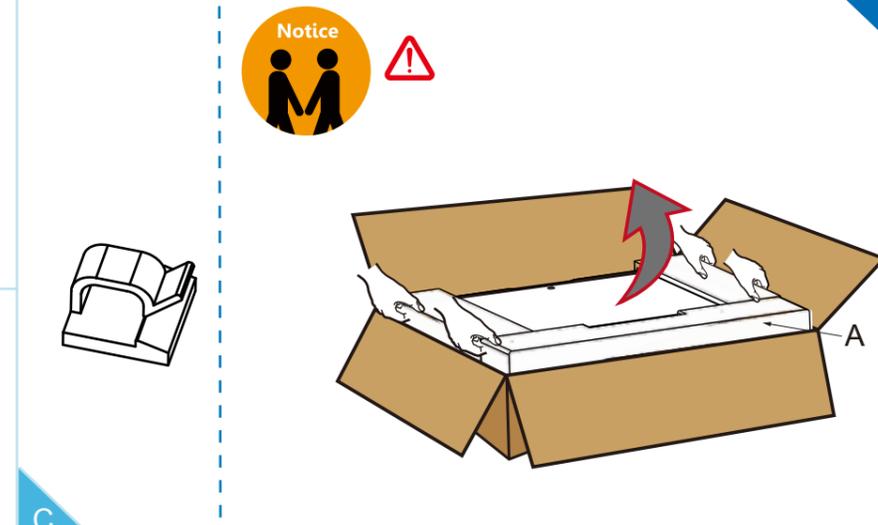
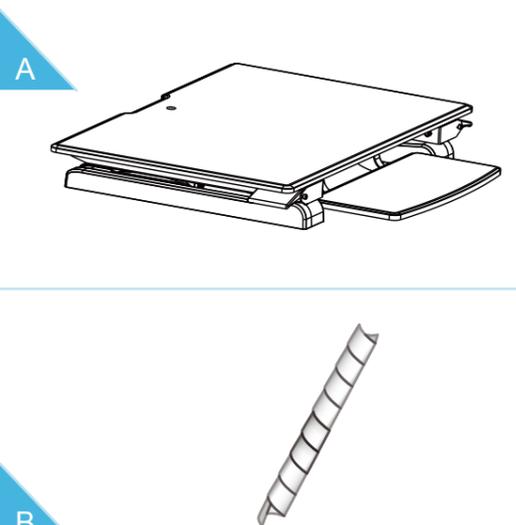
Caution: Keep the display and notebook computer base fully inside the worksurface. Hanging any part of the base or stand on the edge may cause property damage or personal injury.



Caution: Lift up worksurface slowly. Lifting up worksurface too fast may create an unstable situation resulting in property damage and or personal injury.

包裝零件 / Enclosed Parts / 梱包部品及びアクセサリ / Parties cloisonnées / Medföljande delar / Mitgelieferte Teile / Componentes suministrados / Peças incluídas / Załączane Części / Enclosed части / Parti incluse / 동봉한 부품

安裝步驟及方式 / Installation / Process / 取り付け方法 / Méthode d'installation / Installationsvorgang / Proceso de instalación / Processo da instalação / Proces Instalacji / Процесс установки / Processo di installazione / Installationsprocess / 설치 과정



Caution: Leave enough slack in cable to allow for full range of vertical motion. Failure to follow this warning may result in property damage and or personal injury.