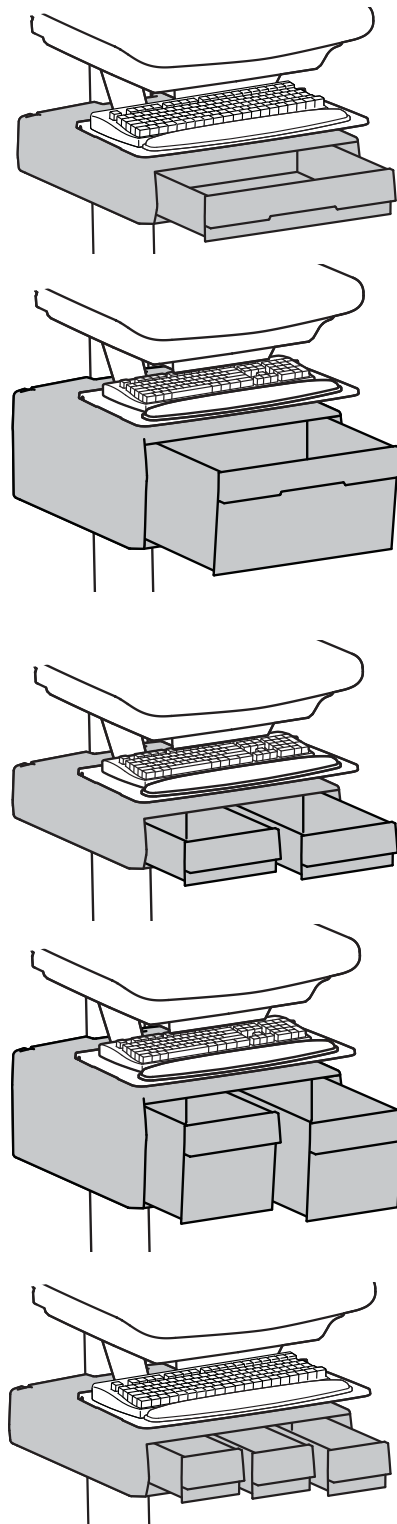


**ERGOTRON®****StyleView® Primary Storage Drawer**

ENGLISH

For the latest User Installation Guide please visit: [www.ergotron.com](http://www.ergotron.com)



User's Guide - English  
 Guía del usuario - Español  
 Manuel de l'utilisateur - Français  
 Gebruikersgids - Deutsch  
 Benutzerhandbuch - Nederlands  
 Guida per l'utente - Italiano  
 Användarhandbok - svenska  
 ユーザーガイド : 日本語  
 用户指南 : 汉语



[www.ergotron.com](http://www.ergotron.com)





USA 1-800-888-8458

Europe +31 (0)33-45 45 600

China 400-120-3051

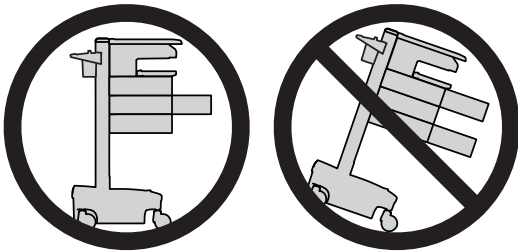
# Hazard Symbols Review

These symbols alert users of a safety condition that demands attention. All users should be able to recognize and understand the significance of the following Safety Hazards if encountered on the product or within the documentation. Children who are not able to recognize and respond appropriately to Safety Alerts should not use this product without adult supervision!

Symbol	Signal Word	Level of Hazard
	<b>NOTE</b>	A NOTE indicates important information that helps you make better use of this product.
	<b>CAUTION</b>	A CAUTION indicates either potential damage to hardware or loss of data and tells you how to avoid the problem.
	<b>WARNING</b>	A WARNING indicates either potential for property damage, personal injury, or death.
	<b>ELECTRICAL</b>	An Electrical indicates an impending electrical hazard which, if not avoided, may result in personal injury, fire and/or death.

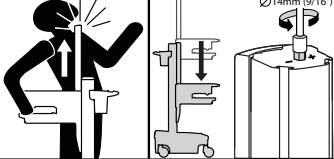
## Safety

ENGLISH



**CAUTION:** Close worksurface before opening drawers. Open only one drawer at a time. Do Not push cart when drawers or worksurface are open. Failure to follow these instructions may cause the cart to be unstable.

**WARNING**



**IMPACT HAZARD!**  
MOVING PARTS CAN CRUSH AND CUT.

**Minimize Lift Tension BEFORE:**

- Removing Mounted Equipment.
- Shipping Cart
- Storing Cart

**To Minimize Lift Tension**

1. Lower worksurface to lowest position.
2. Turn adjustment nut at top of riser counterclockwise until it stops (Adjustment may require 40-60 revolutions).

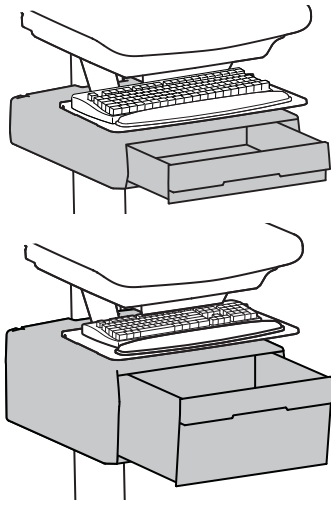
**Failure to heed this warning may result in serious personal injury or property damage!**

For More information and instructions refer to product guide at <http://4support.ergotron.com> or contact Ergotron Customer Care at 1-800-888-8458.

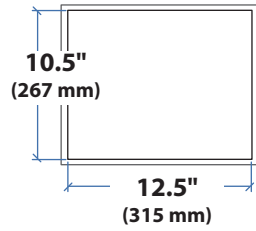
822-052

# Features & Specifications

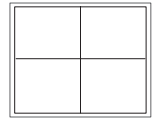
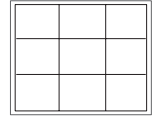
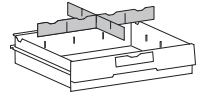
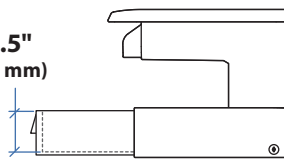
**⚠ CAUTION: DO NOT EXCEED MAXIMUM LISTED WEIGHT CAPACITY. SERIOUS INJURY OR PROPERTY DAMAGE MAY OCCUR!**



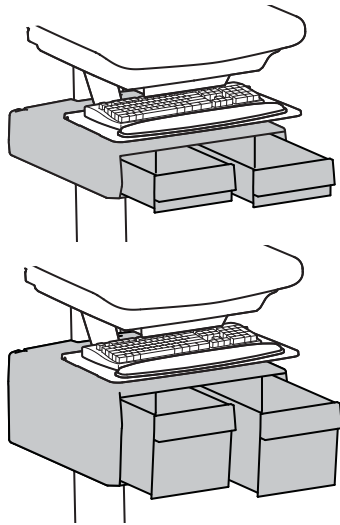
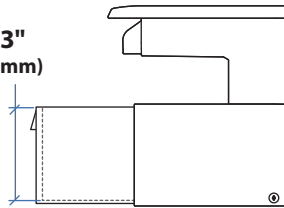
**LB kg**  
 $\leq 2 \text{ lbs (1 kg)}$   
**Total weight capacity per drawer.**



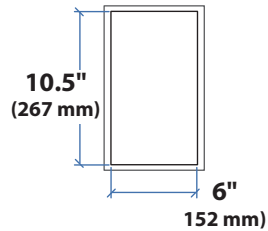
**2.5"**  
(64 mm)



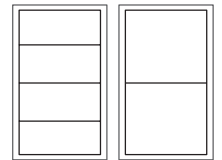
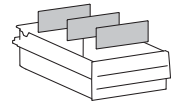
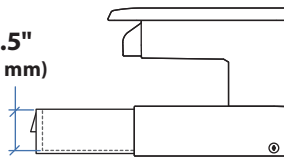
**6.3"**  
160 mm)



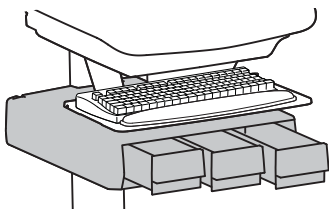
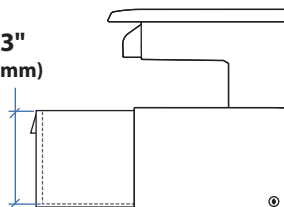
**LB kg**  
 $\leq 1 \text{ lbs (0.5 kg)}$   
**Total weight capacity per drawer.**



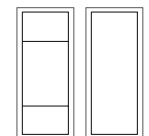
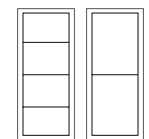
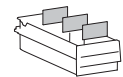
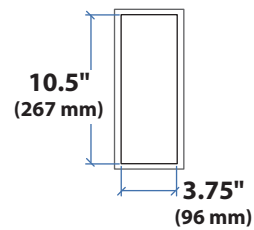
**2.5"**  
(64 mm)



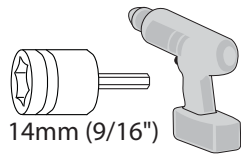
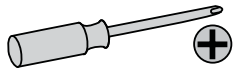
**6.3"**  
160 mm)



**LB kg**  
 $\leq 0.25 \text{ lbs (0.1 kg)}$   
**Total weight capacity per drawer.**



# Tools Needed



# Components



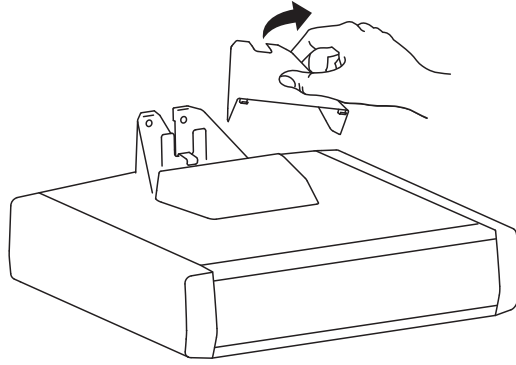
	A	B	C
1	<b>1x</b> 	<b>2x</b>  M6 x 43mm	<b>2x</b>  M6 x 10mm

This manual covers the installation of 5 possible drawers.  
There is only 1 drawer provided in this box.

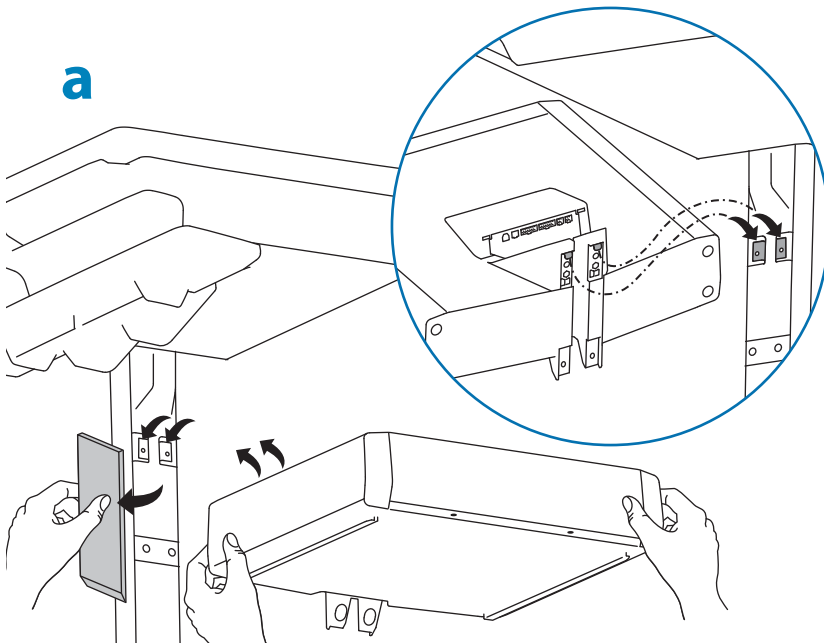
ENGLISH


	A	
2	<b>1 Drawer</b> 	<b>3x</b>  <b>3x</b> 
3	<b>1 Drawer</b> 	<b>2x</b>  <b>2x</b> 
4	<b>2 Drawers</b> 	<b>6x</b> 
5	<b>2 Drawers</b> 	<b>6x</b> 
6	<b>3 Drawers</b> 	<b>9x</b> 

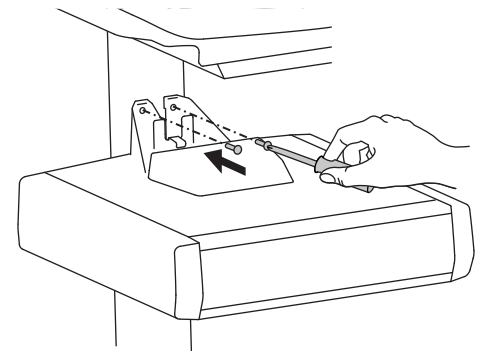
# 1 Remove the top cover.



# 2 Hang the drawer tabs onto the brackets on the cart.

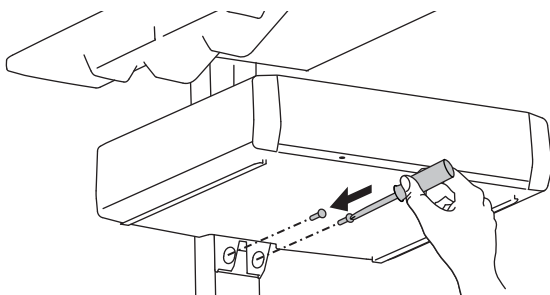


**b** 2x  M6 x 43mm

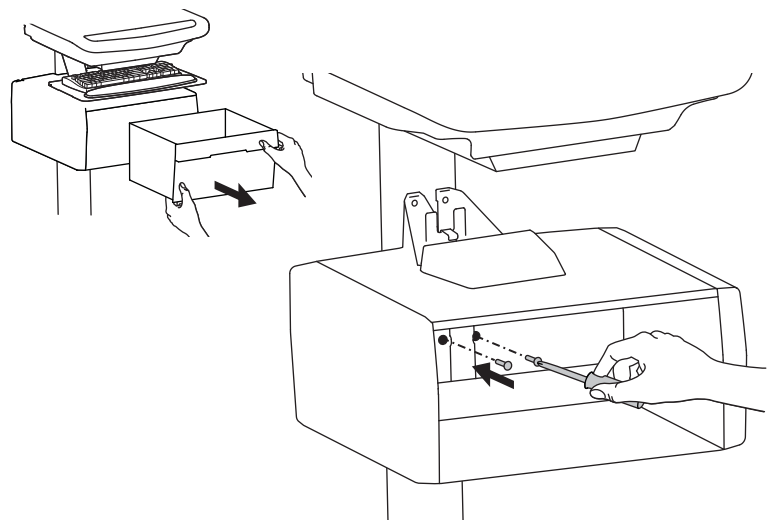


ENGLISH

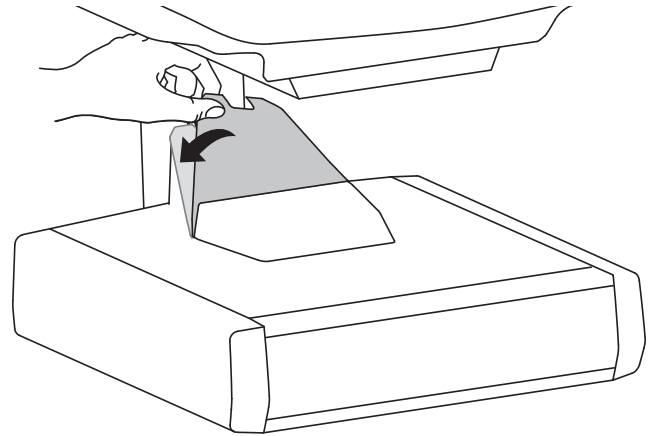
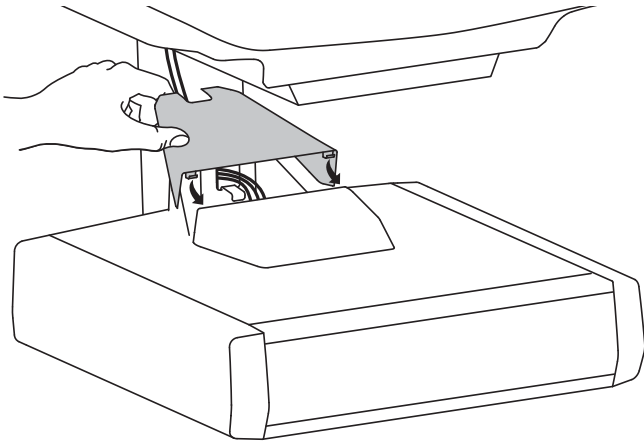
**c** 2x  M6 x 10mm



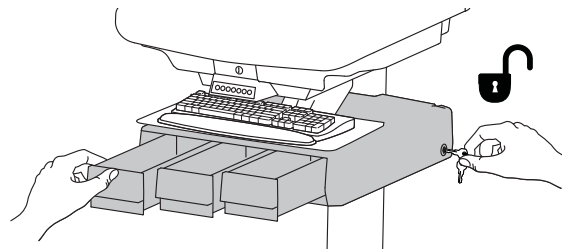
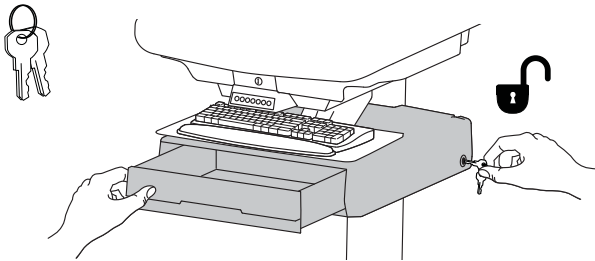
For Tall Drawers



**3** Replace top cover on drawer.



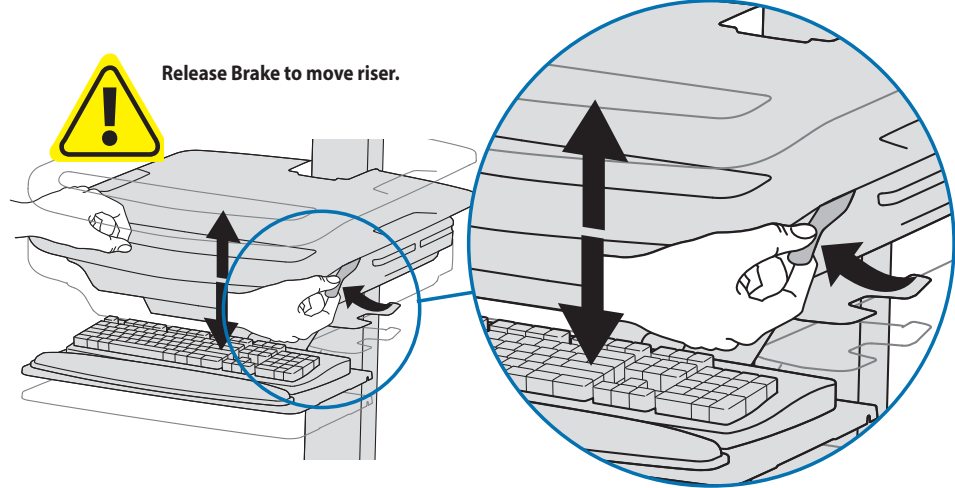
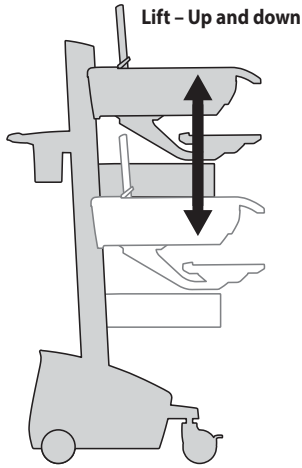
**4** To unlock the storage drawer, turn key counter clockwise 1/4 turn.



# 5 Adjustment



Adjust your mounting solution to handle the added weight. Adjustments should move smoothly and easily through the full range of motion and stay where you set it. If adjustments are difficult and do not stay in the desired position, follow the instructions to loosen or tighten the tension to create a smooth, easy adjustment motion. Depending on your product and the adjustment, it may take several turns to notice a difference.



Follow these instructions to tighten or loosen tension.

14mm (9/16")

NOTE: Adjustment may require 40 - 60 revolutions.

ENGLISH

For Warranty visit: [www.ergotron.com/warranty](http://www.ergotron.com/warranty)

For Service visit: [www.ergotron.com](http://www.ergotron.com)

For local customer care phone numbers visit: <http://contact.ergotron.com>

**Americas Sales and Corporate Headquarters**

1181 Trapp Rd.  
St. Paul, MN USA  
(800) 888-8458  
+1-651-681-7600  
[www.ergotron.com](http://www.ergotron.com)  
[sales@ergotron.com](mailto:sales@ergotron.com)

**EMEA Sales**

Amersfoort, The Netherlands  
+31 33 45 45 600  
[www.ergotron.com](http://www.ergotron.com)  
[info.eu@ergotron.com](mailto:info.eu@ergotron.com)

**APAC Sales**

Tokyo, Japan  
[www.ergotron.com](http://www.ergotron.com)  
[apaccustomerservice@ergotron.com](mailto:apaccustomerservice@ergotron.com)

**Worldwide OEM Sales**

[www.ergotron.com](http://www.ergotron.com)  
[info.oem@ergotron.com](mailto:info.oem@ergotron.com)

**ERGOTRON®**

While Ergotron, Inc. makes every effort to provide accurate and complete information on the installation and use of its products, it will not be held liable for any editorial errors or omissions (including those made in the process of translation from English to another language), or for incidental, special or consequential damages of any nature resulting from furnishing this instruction to its users. For the most current product information, or to know if this document is available in languages other than those herein, please contact Ergotron. No part of this publication may be reproduced, stored in a retrieval system, or transmitted in any form or by any means, electronic, mechanical, photocopying, recording or otherwise without the prior written consent of Ergotron, Inc., 1181 Trapp Road, Eagan, Minnesota, 55121, USA. Patents Pending and Patented U.S. & Foreign. Ergotron is a registered trademark of Ergotron, Inc.

© 2015 Ergotron, Inc. All rights reserved.