

AXIS T98A17-VE Media Converter Cabinet A

A robust cabinet for easy installation of critical system equipment



- > Custom designed for fixed dome outdoor cameras
- > Pre-configured
- > Ease of installation
- > Protect your installation

AXIS T98A17-VE Media Converter Cabinet A is a unique, outdoor-ready cabinet, specially designed for Axis network cameras. It offers pre-configured components for usage together with fiber installations.

AXIS T98A17-VE is a part of a cabinet series that protects your installation against vandalism and tampering acts, it is weatherproof against the ingress of dust, water, ice and outside temperature. It represents a system solution that is designed for electrical safety and ease of installation to save you time and money in the field.

To simplify installation even further, when fiber installation is a requirement, AXIS T98A17-VE Media Converter Cabinet A comes with power supply, electrical safety kit and media converter pre-installed.

The Axis camera can be mounted on the door of the cabinet, which is already prepared with drill holes to match Axis' fixed dome outdoor network cameras. All cabinets in the series come with a mounting plate to simplify installation and cable protection.

AXIS T98A-VE Cabinet Series is ideal in city surveillance or critical infrastructure installations where a sturdy, vandal-resistant and water-protected box is a must.

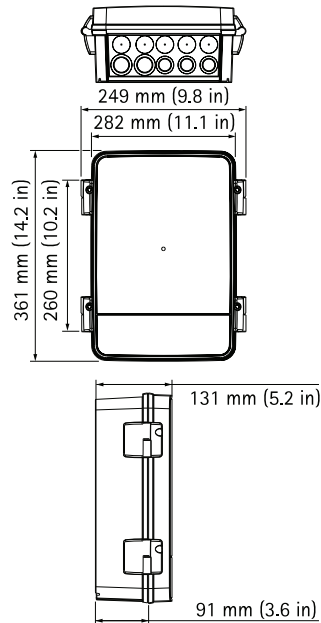
Technical Specifications - AXIS T98A17-VE Media Converter Cabinet A

Models	AXIS T98A17-VE Media Converter Cabinet A Available either with 120 V AC or 230 V AC	120 V AC: FCC Part 15 Subpart B Class A, VCCI Class A, ICES-003 Class A, C-tick AS/NZS CISPR 22 Class A 230 V AC: EN 55022 Class A, EN 61000-3-2, EN 61000-3-3, EN 61000-6-1, EN 61000-6-2, EN 55024, C-Tick AS/NZS CISPR 22 Class A
General		
Supported cameras	Cameras using 12 V DC input. For full compatibility please see: http://www.axis.com/products/video/accessories/configurator/	
Casing	Polycarbonate cabinet and stainless steel mounting plate Color: White NCS 1002-B and stainless steel	
Environment	Indoor/Outdoor	
Power	Input (120 V AC): 90-175 V AC, Max. 4 A Input (230 V AC): 90-264 V AC, Max. 4 A Output: 12 V DC, 20 W	
Connectors	2x RJ45 connectors (10/100 Mbps) 2x SFP connectors (100/1000 Mbps) for SFP fiber optic modules or SFP to copper modules	
Operating conditions	-40 °C to 65 °C (-40 °F to 149 °F) Humidity 10-100% RH (condensing)	
Approvals	EN 50121-4, IEC 62236-4, EN 50581, IEC/EN 60529 IP66, NEMA 250 Type 4X, IEC/EN 62262 IK10, REACH, WEEE, CE, IEC 60068-2-6 4M4, IEC 60068-2-27 4M4, IEC/EN/UL 60950-1, IEC/EN/UL 60950-22, EN 62368-1, UL 50, UL 50E	
		Weight 4.4 kg (9.7 lb)
		Installation & Configuration AXIS T98A17-VE Surveillance Cabinet, AXIS Electrical Safety Kit ^a , Power Supply DIN CP-D 12/2.1 25 W, AXIS T8604 Media Converter Switch
		Included accessories Installation guide, Pre-mounted cable gaskets, Pre-mounted DIN rails, Cable clamps, Pre-mounted power cover for MCB fuse, Pre-mounted surge protection, Pre-mounted 12 V DC power supply
		Optional accessories AXIS Cabinet Lock A, AXIS Door Switch A, AXIS T98-VE Sunshield, AXIS T95A64, AXIS T95A67
		Warranty Axis 3-years warranty, see more information at www.axis.com/warranty

a. Not including door switch

More information is available at www.axis.com

Dimensions



Optional accessories

1. AXIS T98-VE Sunshield
2. AXIS T95A67
3. AXIS T95A64
4. AXIS Cabinet Lock A
5. AXIS Door Switch A

