



FS-C1020MFP PF-110

PARTS LIST

Published in April 2009
5JKPL070
845JK120
First Edition

NOTES

1. Indicate parts number and machine model when placing an order.

e.g.	Parts Number	Parts Name	Machine Model	Cycle	Quantity
	305JK72800	ADF:ASS'Y	FS-C1020MFP	50Hz	1

2. Service calls and freight will be charged separately.

3. Symbols in the "Parts Number" column.

- Parts with "•" are component parts or sub-assemblies of the assembly appearing immediately above them.

e.g.	Parts Number	Parts Name	Parts Number	Parts Name
	305JK75070	APER TRAY UNIT	•305JK75060	TRAY BOTTOM PLATE
			•305JK75210	GROUNDING PLATE

- Parts with "⊙" indicates the spare parts and the parts without "⊙" can not be supplied.

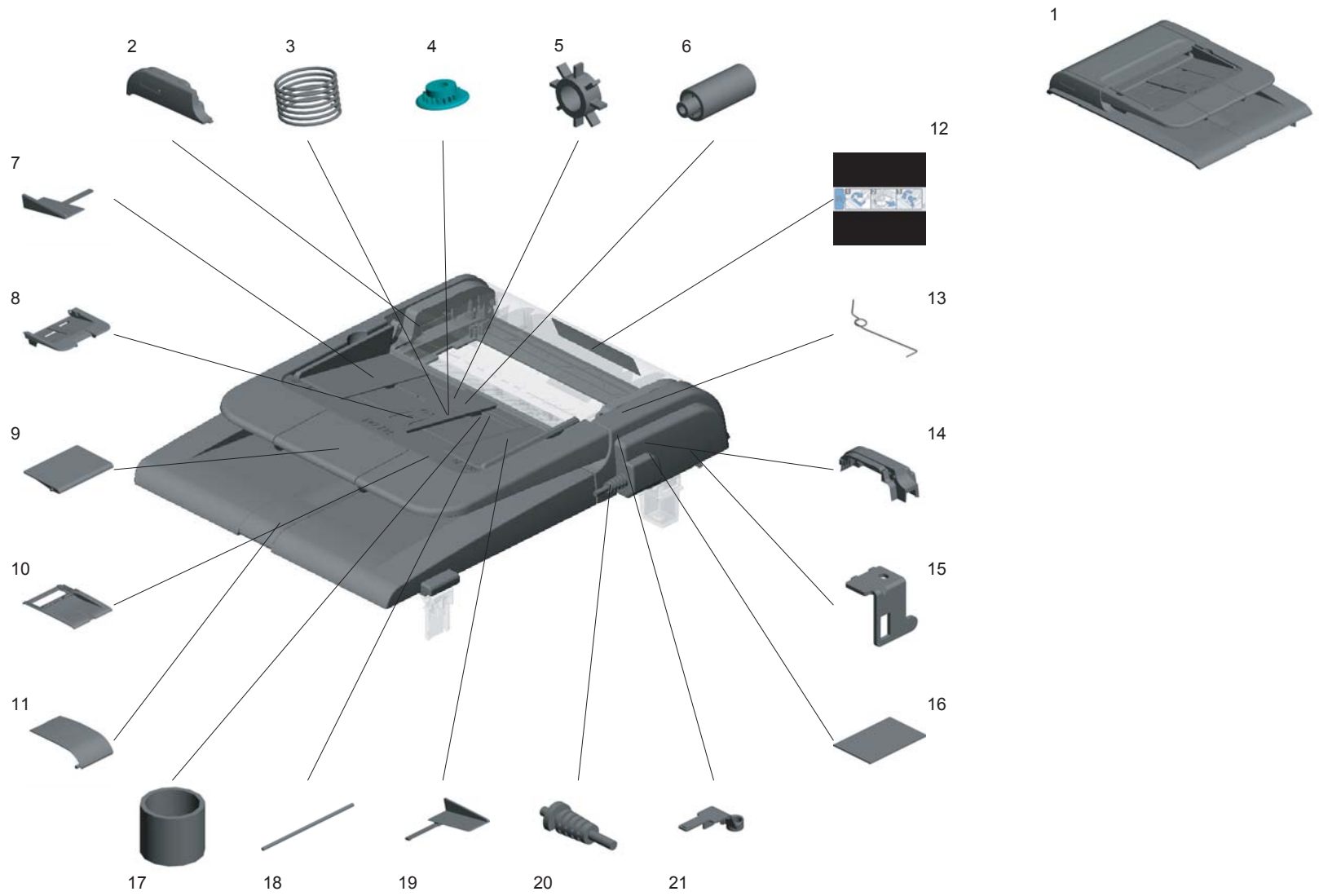
—— CONTENTS ——

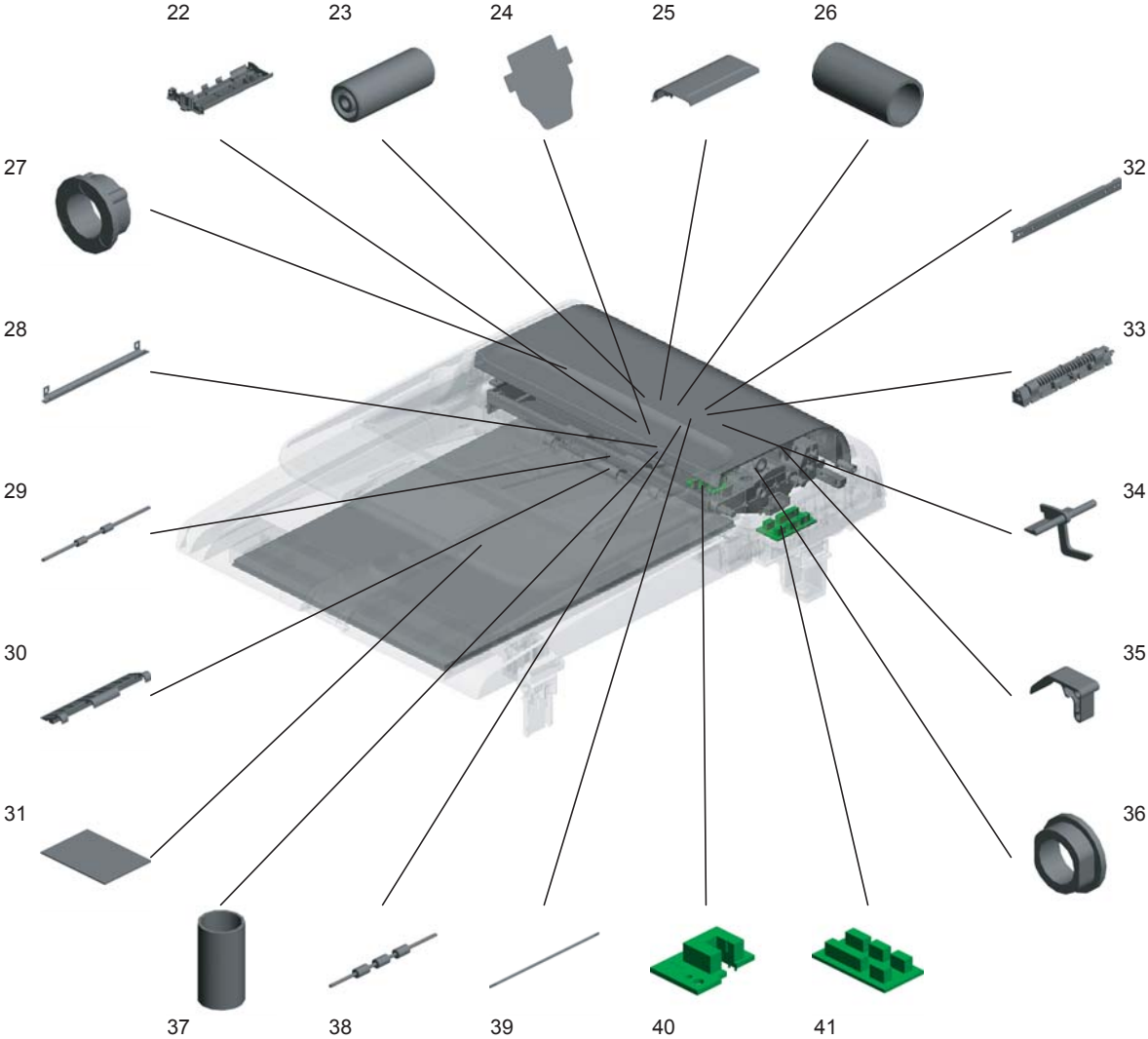
MFP

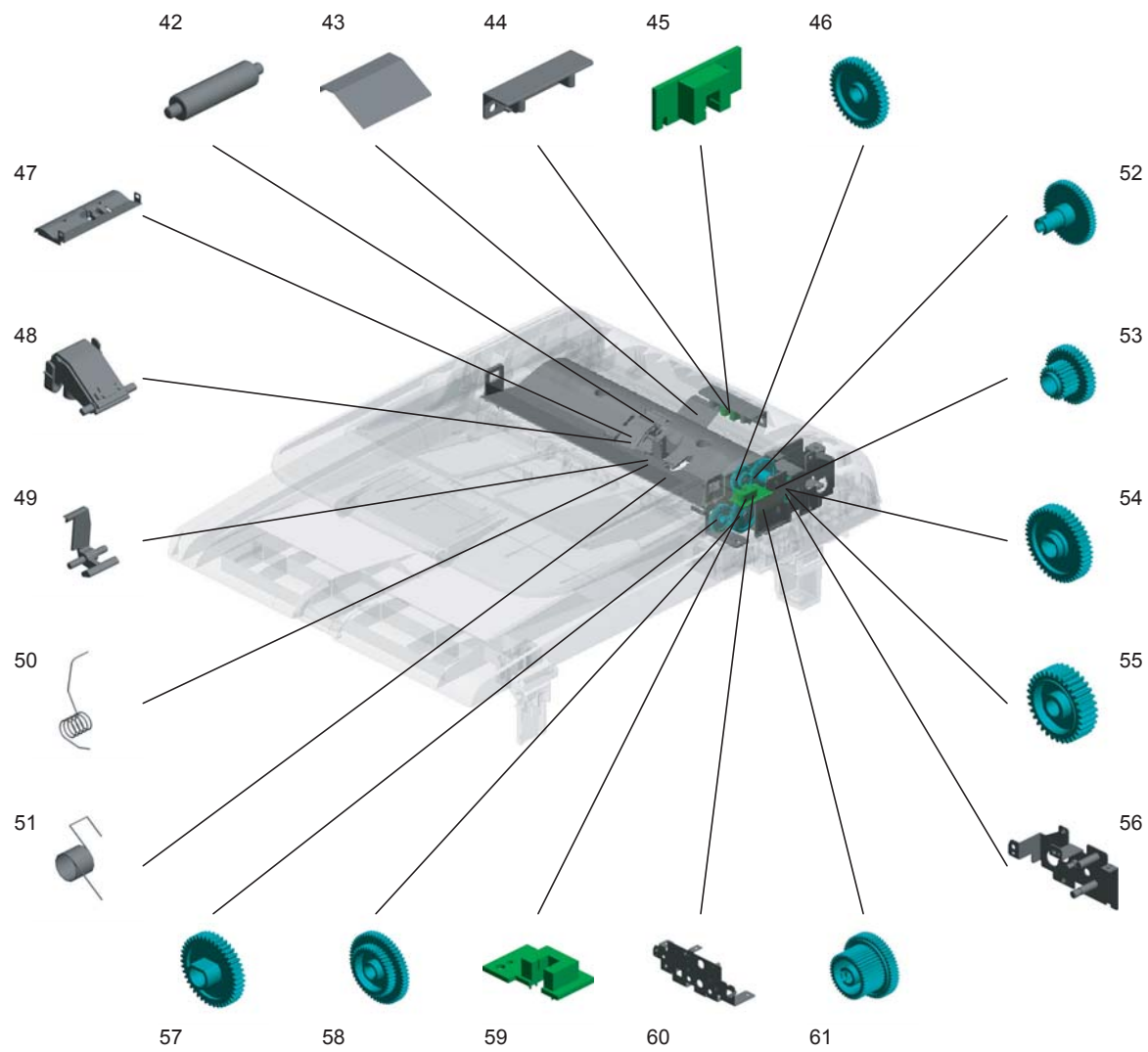
FIG.1	DP Section	2
FIG.2	Electrical Section (120V).....	7
FIG.2	Electrical Section (230V).....	13
FIG.3	Exterior	19
FIG.4	Fuser Section.....	21
FIG.5	Transfer Section.....	23
FIG.6	Laser Scanner Section.....	25
FIG.7	Drive Section.....	27
FIG.8	Frames	32
FIG.9	Operation Section	38
FIG.10	Exit Section	40
FIG.11	Paper Feed Section	42
FIG.12	Scanner Section.....	45
FIG.13	Paper Conveying Section1.....	48
FIG.14	Paper Conveying Section2.....	51
FIG.15	Accessories.....	54
	• INDEX	55

PF

FIG.1	Paper Tray	1
FIG.2	Paper Feed Drive.....	3
FIG.3	Frame Section.....	5
	• INDEX	6







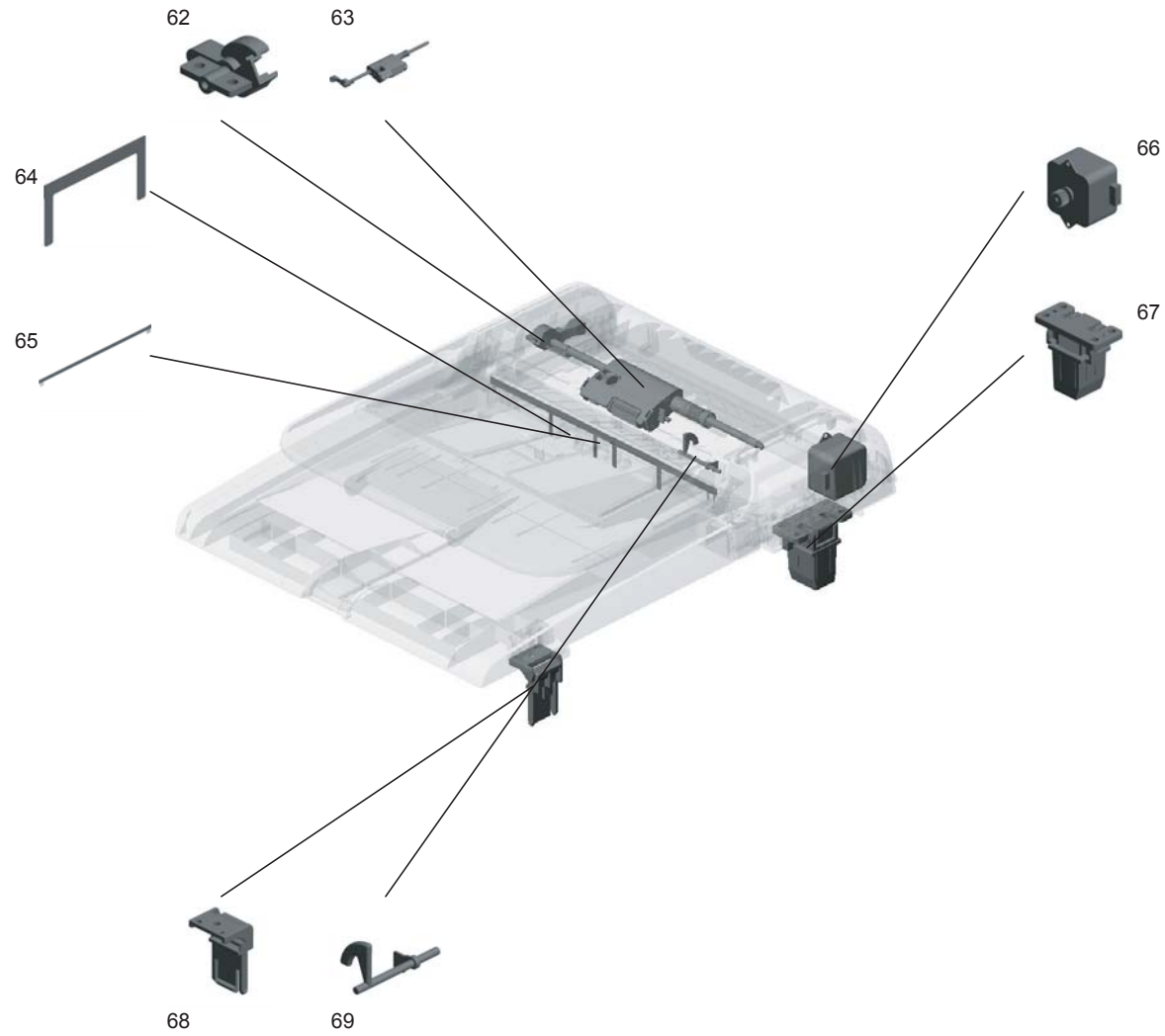


FIG. 1 DP Section

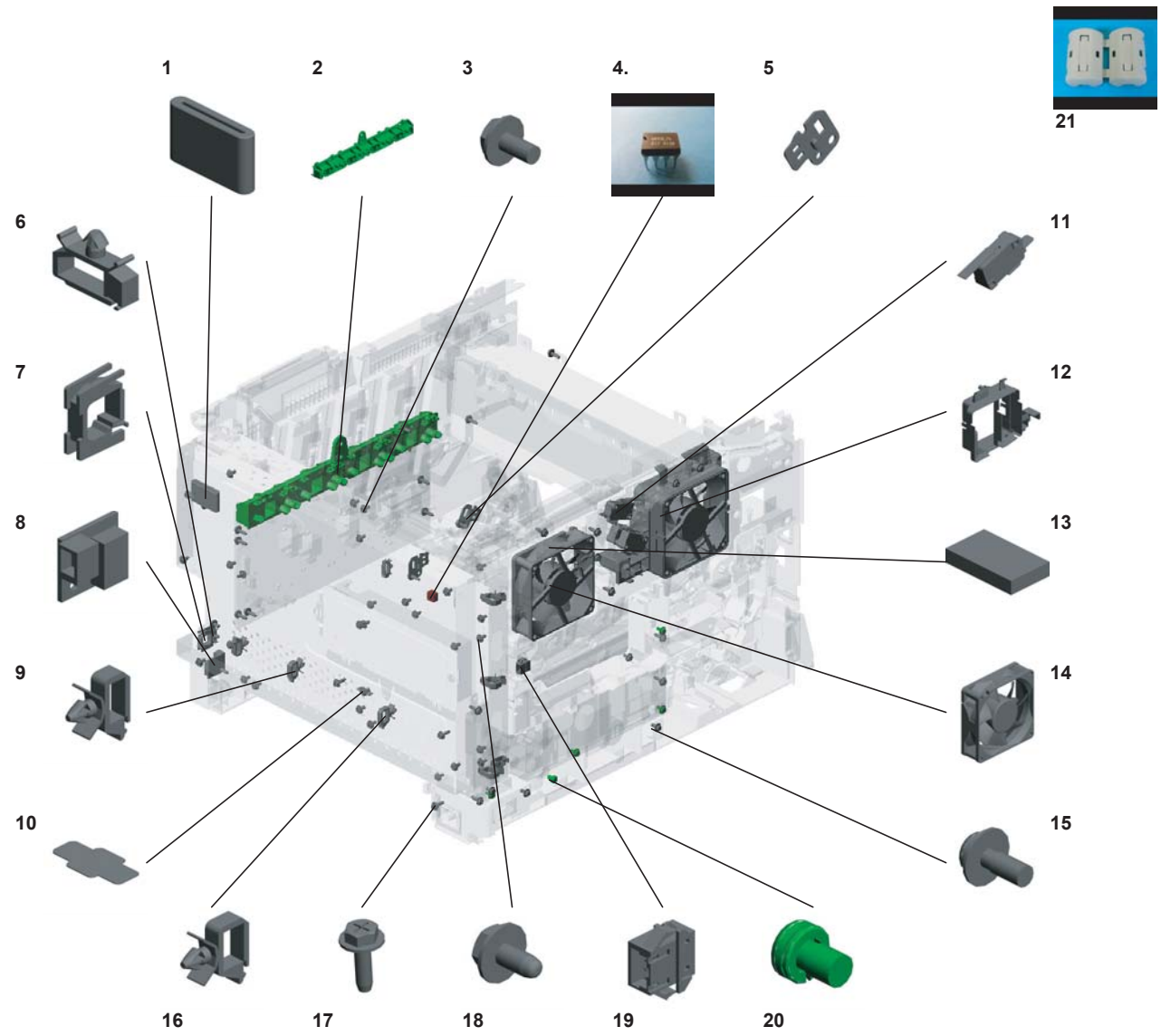
5JK

SP	Ref. No.	Part.No.	Alternative.	Description	Quantity	
					120	230
⊙	1	305JK72800	5JK72800	ADF:ASS'Y	1	1
	2	305JK72820	5JK72820	COVER:FRONT:ADF	1	1
	3	305JK73260	5JK73260	COIL SPRING:GEAR:SLIDE	1	1
	4	305JK73270	5JK73270	GEAR:SLIDE	1	1
	5	305JK73290	5JK73290	PADDLE:ROLLER:EXIT	2	2
	6	305JK73300	5JK73300	DRIVEN ROLLER:EXIT	2	2
	7	305JK72860	5JK72860	SIDE FENCE:LEFT	1	1
	8	305JK72840	5JK72840	BASE:SLIDER	1	1
	9	305JK72870	5JK72870	EXTENSION TRAY:ADF	1	1
	10	305JK72810	5JK72810	FRAME:ADF	1	1
	11	305JK72880	5JK72880	PAPER STOPPER:ADF	1	1
	12	305JK73140	5JK73140	ADF DECAL - PICK-UP PAPER JAM	1	1
	13	305JK73240	5JK73240	COIL SPRING:ARM:SENSOR	1	1
	14	305JK72830	5JK72830	COVER:REAR:ADF	1	1
	15	305JK73070	5JK73070	HOOK:ADF	1	1
	16	305JK73250	5JK73250	SHEET:ADF:KILO	4	4
	17	305JK73320	5JK73320	COIL SPRING:EXIT	2	2
	18	305JK73310	5JK73310	SHAFT:DRIVEN ROLLER:EXIT	1	1
	19	305JK72850	5JK72850	SIDE FENCE:RIGHT	1	1
	20	305JK73280	5JK73280	CABLE:ADF	1	1
	21	305JK73230	5JK73230	ARM:SENSOR	1	1
	22	305JK73380	5JK73380	FRAME:LOWER	1	1
	23	305JK73490	5JK73490	DRIVEN ROLLER:FEED	3	3
	24	305JK73420	5JK73420	SHEET:GUIDE	2	2
⊙	25	305JK73350	5JK73350	COVER:ADF	1	1
	26	305JK73460	5JK73460	COIL SPRING:FEED ROLLER:DRIVEN	4	4
	27	305JK73430	5JK73430	FLANGE:BUSHING	4	4
	28	305JK73410	5JK73410	PLATE	1	1
	29	305JK73450	5JK73450	EXIT ROLLER:ADF	1	1
	30	305JK73330	5JK73330	COVER:EXIT	1	1
	31	305JK73360	5JK73360	SHEET:PRESSURE PLATE	1	1
	32	305JK73500	5JK73500	STAY:FEED	1	1
	33	305JK73510	5JK73510	GUIDE:FEED:DRIVEN	1	1
	34	305JK73470	5JK73470	FEELER:SENSOR:FEED	1	1
	35	305JK73480	5JK73480	ARM:PRESSURE RELEASE	2	2
	36	305JK73370	5JK73370	FLANGE:BUSHING:GEAR	1	1
	37	305JK73400	5JK73400	COIL SPRING:PLATE	1	1
⊙	38	305JK73440	5JK73440	FEED ROLLER:ADF	1	1
	39	305JK73520	5JK73520	SHAFT:DRIVEN ROLLER:FEED	1	1
⊙	40	305JK73390	5JK73390	PCB:DIP:SET SENSOR	1	1
⊙	41	305JK73340	5JK73340	PCB:DIP:ADF	1	1
	42	305JK73670	5JK73670	ROLLER:BACK UP:FEED	1	1
	43	305JK73550	5JK73550	SHEET:FEELER:FEED	1	1
	44	305JK73530	5JK73530	FIX STAND:SENSOR:FEED	1	1
⊙	45	305JK73540	5JK73540	PCB:DIP:FEED	1	1
	46	305JK73590	5JK73590	GEAR:20T39T	1	1
	47	305JK73710	5JK73710	FRAME:UPPER	1	1
⊙	48	305JK73700	5JK73700	SEPARATION PAD:ADF	1	1
	49	305JK73690	5JK73690	SHUTTER:PAPER	1	1
	50	305JK73680	5JK73680	COIL SPRING:SHUTTER:PAPER	1	1

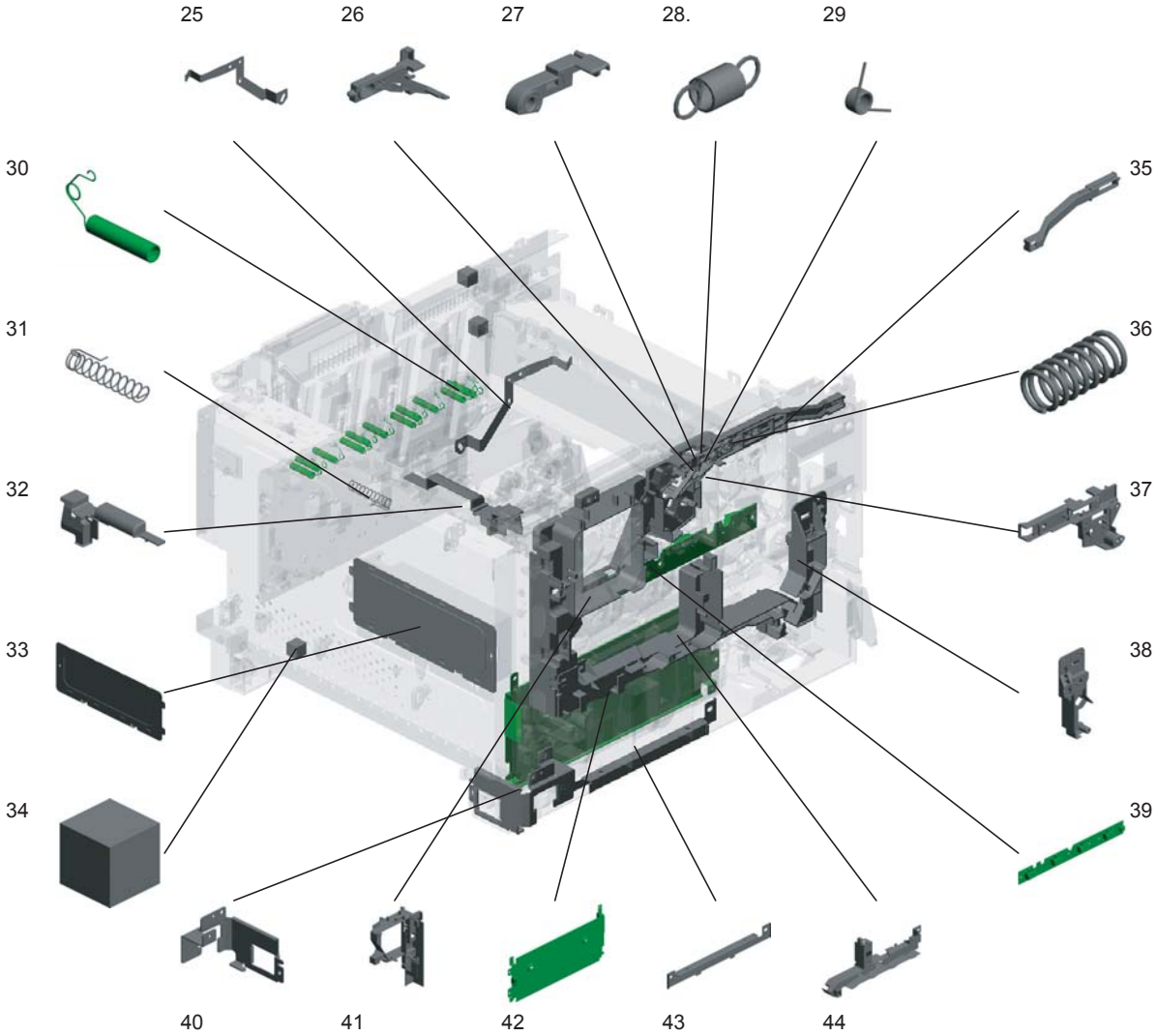
SP	Ref. No.	Part.No.	Alternative.	Description	Quantity	
					120	230
	51	305JK73720	5JK73720	COIL SPRING:FEELER:SET SENSOR	1	1
	52	305JK73620	5JK73620	GEAR:51T	1	1
	53	305JK73610	5JK73610	GEAR:21T37T	1	1
	54	305JK73570	5JK73570	GEAR:FEED:44T	1	1
	55	305JK73600	5JK73600	GEAR:MIDDLE:32T	2	2
	56	305JK73640	5JK73640	PLATE:MOTOR	1	1
	57	305JK73580	5JK73580	GEAR:EXIT:41T	1	1
	58	305JK73630	5JK73630	GEAR:DRIVE:39T55T	1	1
⊙	59	305JK73660	5JK73660	PCB:DIP:ON OFF DETECTOR	1	1
	60	305JK73560	5JK73560	PLATE:REAR	1	1
	61	305JK73650	5JK73650	GEAR:DRIVE:40T56T	1	1
	62	305JK73740	5JK73740	HOLDER:SEPARATION UNIT	1	1
⊙	63	305JK73770	5JK73770	SEPARATION UNIT:ADF	1	1
	64	305JK73750	5JK73750	SHEET:STOPPER:EXIT	2	2
	65	305JK73760	5JK73760	DISCHARGE BRUSH:EXIT	1	1
	66	305JK73780	5JK73780	DC STEPPER MOTOR	1	1
	67	305JK73790	5JK73790	HINGE:LEFT	1	1
	68	305JK73800	5JK73800	HINGE:RIGHT	1	1
	69	305JK73730	5JK73730	FEELER:SET SENSOR	1	1

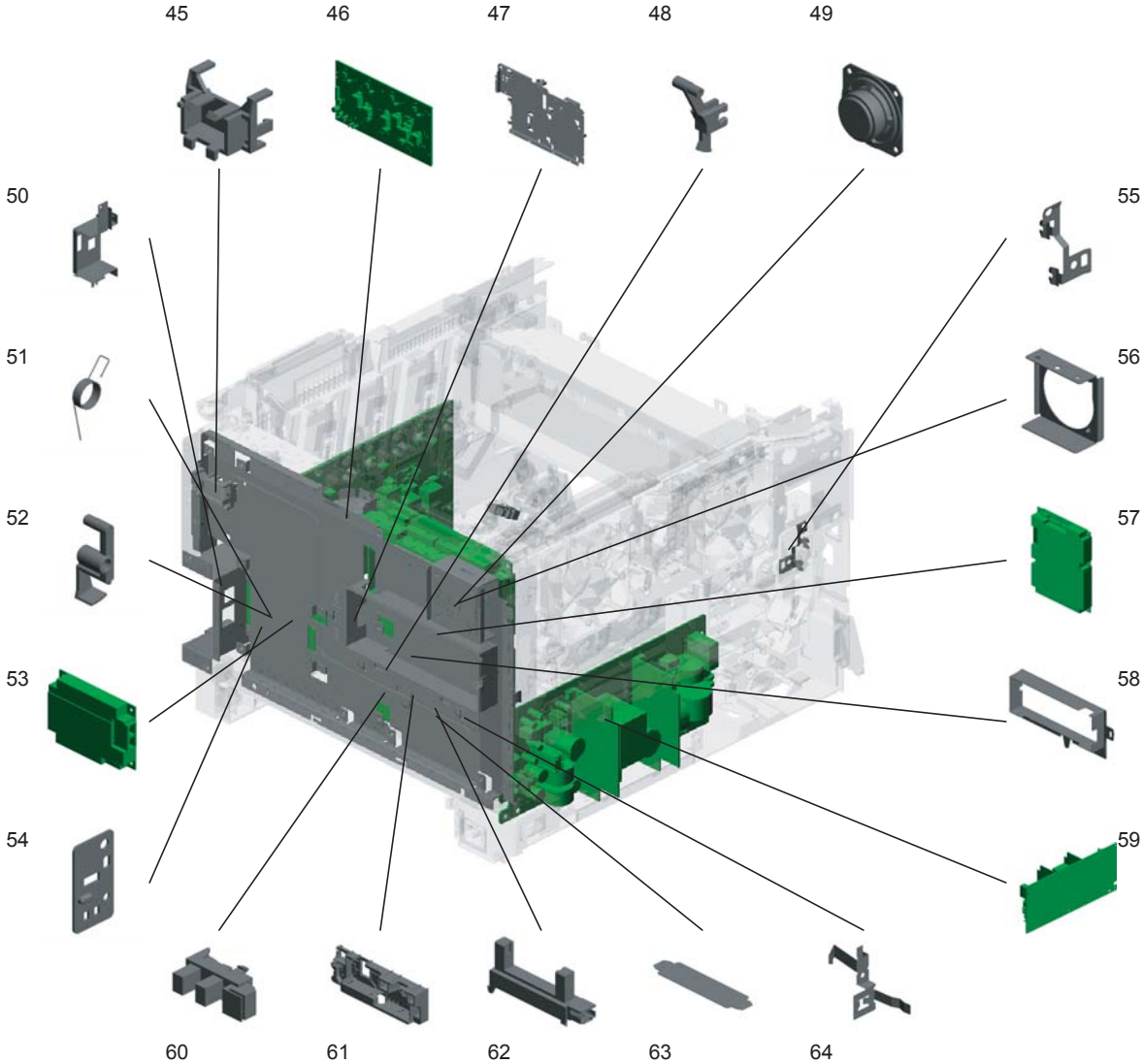
• Parts with "*" are component parts or sub-assemblies of the assembly appearing immediately above them.

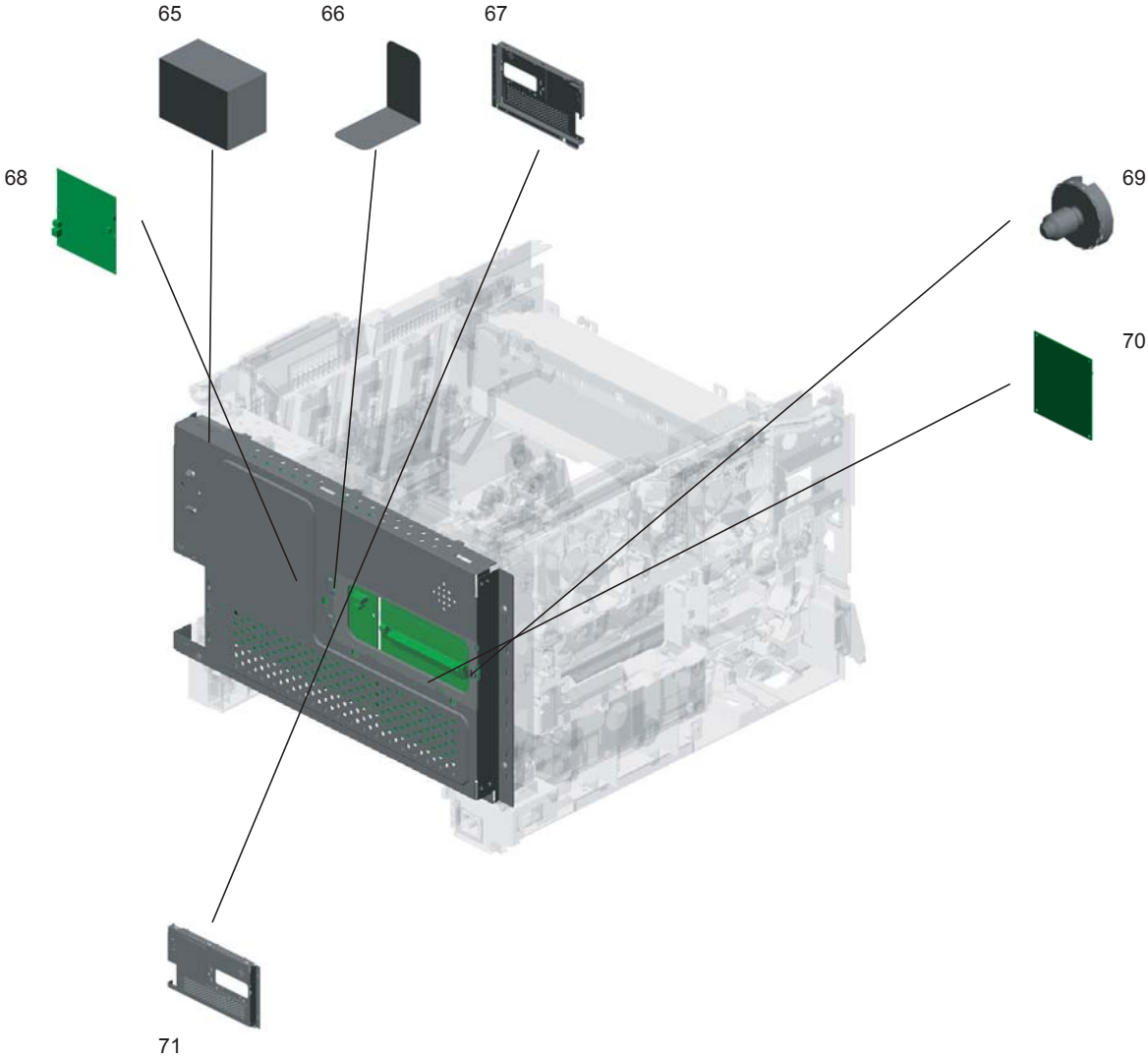
• Parts with "⊙" indicates the spare parts.



- 22 TAPPING SCREW - M3X10
- 23 TAPPING SCREW:3X8
- 24 CT CONNECTOR - 2P







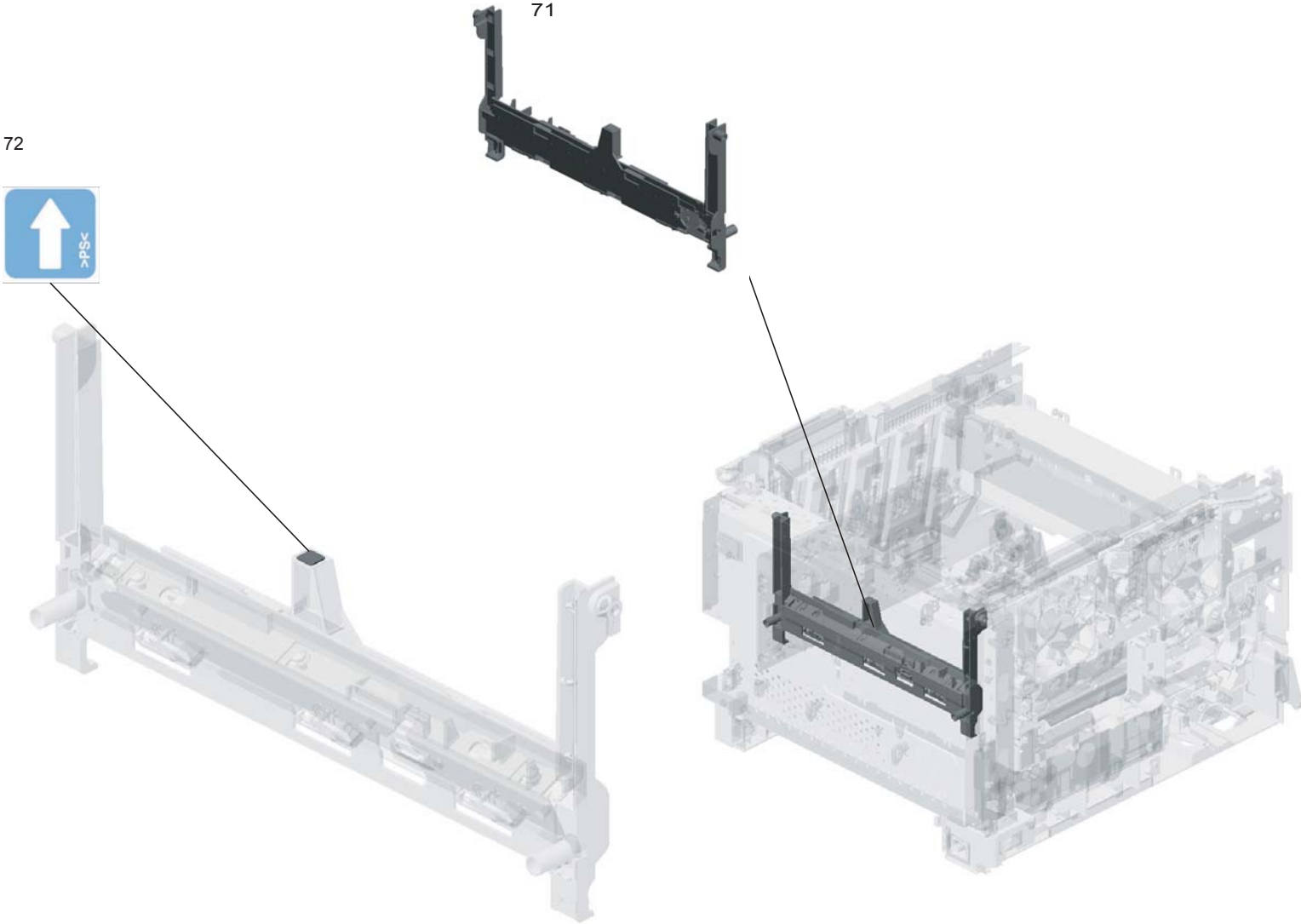


FIG. 2 Electrical Section (120v)

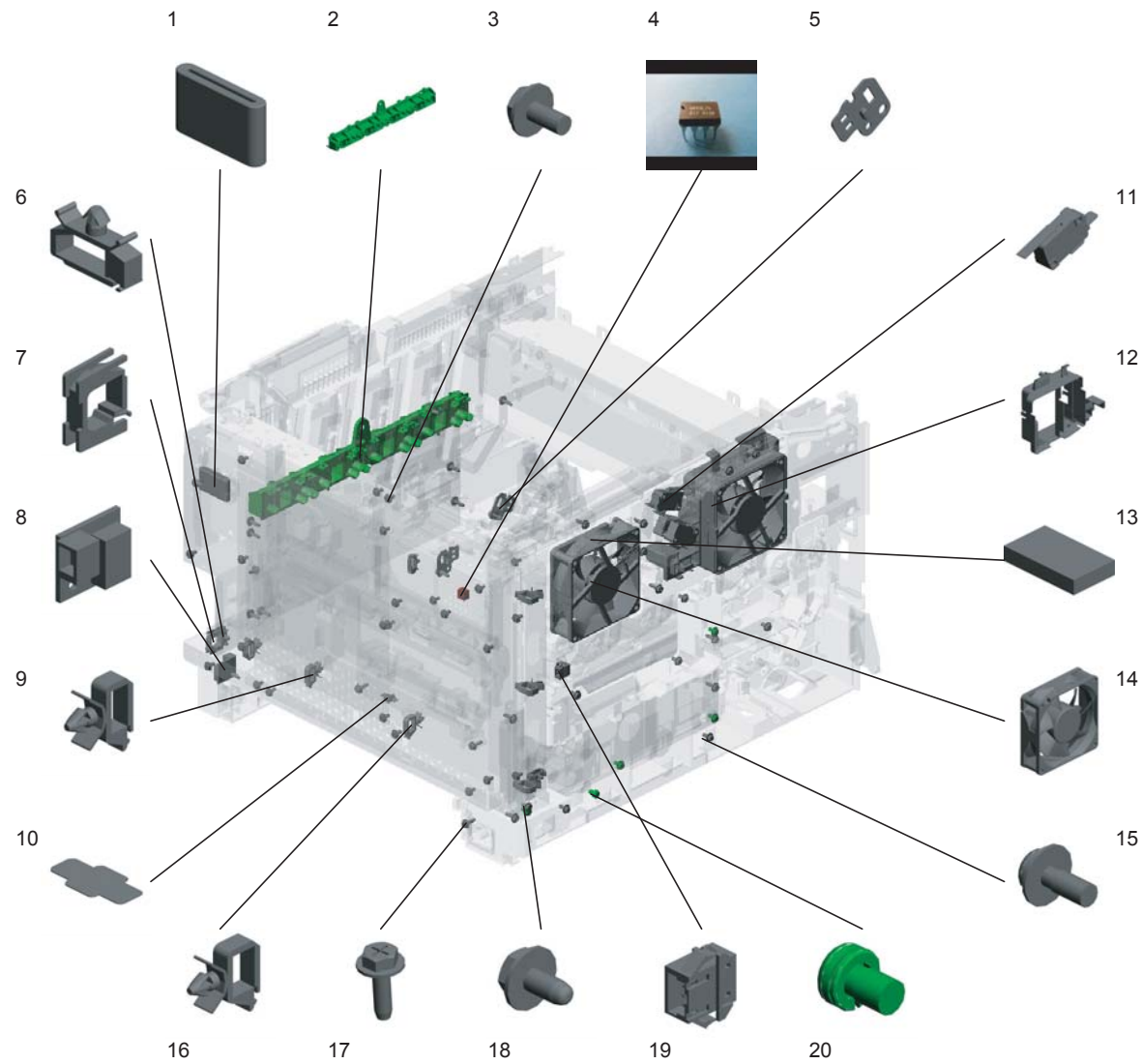
5JK

SP	Ref. No.	Part.No.	Alternative.	Description	Quantity	
					120	230
	1	305JK75400	5JK75400	FERRITE CORE:33.5X6.5X20	1	
	2	305JK75480	5JK75480	BASE:HIGH VOLTAGE:3	1	
	3	305HM11721	5HM11721	SCREW - M3X6	31	
	4	305JK75380	5JK75380	EEPROM:BR93L76-W	1	
	5	305JK70220	5JK70220	BRACKET - PHOTOINTERRUPTOR	2	
	6	5HM40460	5HM40460	CLAMP	3	
	7	5HM32240	5HM32240	EDGE SADDLE - LES-1010	1	
⊙	8	305JK70170	5JK70170	TEMPERATURE & HUMIDITY SENSOR	1	
	9	5HM32560	5HM32560	HARNESS CLAMP	2	
	10	305JK70210	5JK70210	STOPPER:PHOTOINTERRUPTOR	1	
	11	305JK75370	5JK75370	MICRO SWITCH:D3V-16506-3C25	3	
	12	305JK70290	5JK70290	EXIT DUCT	1	
	13	305JK70240	5JK70240	SEAL:FAN:2	4	
⊙	14	305JK70180	5JK70180	FAN:AXIAL:MM80:25MM	2	
	15	305JK75350	5JK75350	SCREW - M3X8	2	
	16	5HM70470	5HM70470	HARNESS CLAMP - LWS-0711	4	
	17	305H772000	5H772000	TAPPING SCREW - M3X10	33	
	18	305H775540	5H775540	TAPPING SCREW - M3X6	6	
	19	53107280	53107280	CT CONECTOR:PANEL MOUNT MODEL:JUNCTIO	2	
	20	305JK70140	5JK70140	SCREW- M4X6	1	
	21	305JK75390	5JK75390	FERRITE CORE - ZCAT1518-0730	1	
	22	305H772000	5H772000	TAPPING SCREW - M3X10	1	
	23	305H772160	5H772160	TAPPING SCREW 3X8	1	
	24	53107240	53107240	CT CONNECTOR-2P	1	
	25	305JK71960	5JK71960	2NDTERMINAL - TRANSFER	1	
	26	305JK72060	5JK72060	LINK - SAFETY SWITCH	1	
	27	305JK72120	5JK72120	ARM - SAFETY SWITCH	1	
	28	305JK72080	5JK72080	TENSION SPRING - SAFETY SWITCH	1	
	29	305JK72070	5JK72070	TORSION SPRING - SAFETY SWITCH	1	
	30	305JK72000	5JK72000	TERMINAL:AIO	12	
	31	305JK72100	5JK72100	1ST TERMINAL - TRANSFER	1	
	32	305JK72020	5JK72020	HARNESS COVER	1	
	33	305JK71980	5JK71980	MEMORY COVER	2	
	34	305JK72030	5JK72030	CUSHION - HARNESS	3	
	35	305JK72130	5JK72130	LEVER - SAFETY SWITCH	1	
	36	305JK72090	5JK72090	COMPRESSION SPRING - SAFETY SWITCH	1	
	37	305JK72050	5JK72050	BRACKET SAFETY SWITCH	1	
	38	305JK72140	5JK72140	CONNECTOR HOLDER - FUSING	1	
⊙	39	305JK71910	5JK71910	TERMINAL BOARD	1	
	40	305JK71990	5JK71990	BRACKET - MAIN SWITCH	1	
	41	305JK70300	5JK70300	DUCT	1	
	42	305JK71930	5JK71930	BRACKET - POWER SUPPLY UNIT	1	
	43	305JK71940	5JK71940	HARNESS COVER - POWER SUPPLY UNIT	1	
	44	305JK70590	5JK70590	HARNESS GUIDE	1	
⊙	45	305JK73880	5JK73880	CASE - CORE	1	
	46	305JK74420	5JK74420	POWER PACK	1	
	47	305JK73840	5JK73840	BRACKET - CONTROL BOARD	1	
	48	305JK72390	5JK72390	FEELER - SET SENSOR	1	
	49	305JK73820	5JK73820	SPEAKER - DIA50	1	
	50	305JK73870	5JK73870	BRACKET - INTERFACE	1	

SP	Ref. No.	Part.No.	Alternative.	Description	Quantity	
					120	230
	51	305JK72210	5JK72210	SPRING - FEELER	1	
	52	305JK72220	5JK72220	SENSOR FEELER	1	
⊙	53	305JK74770	5JK74770	PCB:FAX:NA:ASS'Y	1	
	54	305JK72240	5JK72240	SENSOR HOLDER	1	
	55	305JK72180	5JK72180	GROUND PLATE - FUSING	1	
	56	305JK73890	5JK73890	BRACKET - SPEAKER	1	
⊙	57	305JK74640	5JK74640	PCB:EGB-PMF2PIP:ASS'Y	1	
	58	305JK73860	5JK73860	STOPPER:MEMORY	2	
⊙	59	305JK74840	5JK74840	POWER SUPPLY UNIT - 115V	1	
⊙	60	305JH71560	5JH71560	PHOTOINTERRUPTOR:LG248NL1	4	
	61	305JK72400	5JK72400	SENSOR BRACKET	1	
⊙	62	305JK72380	5JK72380	USED TONER SENSOR	1	
	63	305JK72370	5JK72370	STOPPER SHEET - PHOTOINTERRUPTOR	1	
	64	305JK72250	5JK72250	GROUNDING PLATE	1	
	65	305JK74680	5JK74680	SPACER:GROUND PLATE:FLAT CABLE:SCANNER	1	
	66	305JK74690	5JK74690	SHEET:COVER:SHADEING PLATE:MEMORY	4	
	67	305JK73850	5JK73850	COVER:CONTROL BOARD:MF2C:ASS'Y	2	
⊙	68	305JK74650	5JK74650	PCB:MAIN:ASS'Y	1	
	69	305JK74700	5JK74700	SCREW	2	
⊙	70	305JK74820	5JK74820	PCB:PDL:ASS'Y	2	
⊙	71	305JK72190	5JK72190	DENSITY SENSOR:ASS'Y	1	
	72	305JK72320	5JK72320	CLEANER DECAL - DENSITY SENSOR	1	

• Parts with "*" are component parts or sub-assemblies of the assembly appearing immediately above them.

• Parts with "⊙" indicates the spare parts.



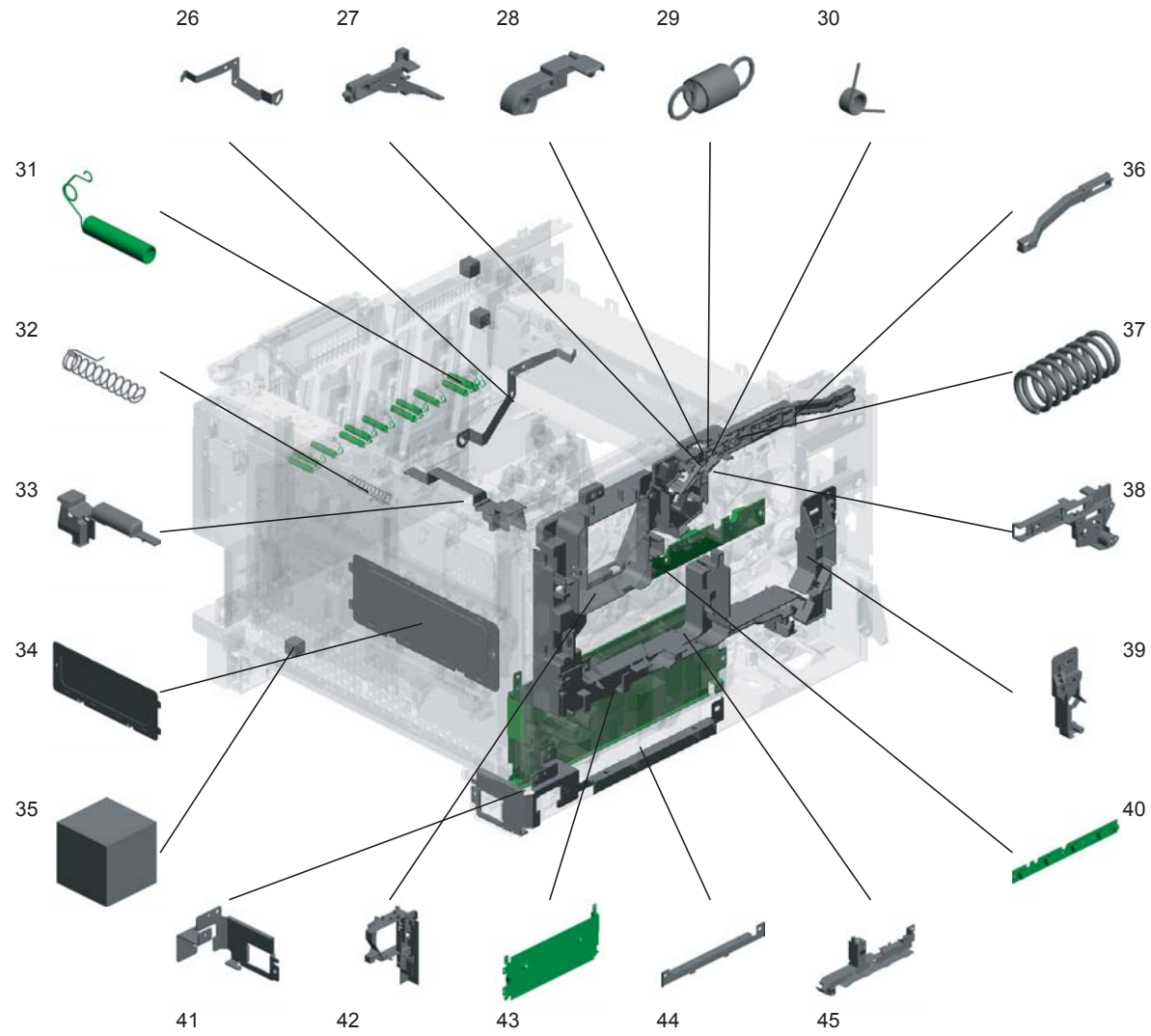
21

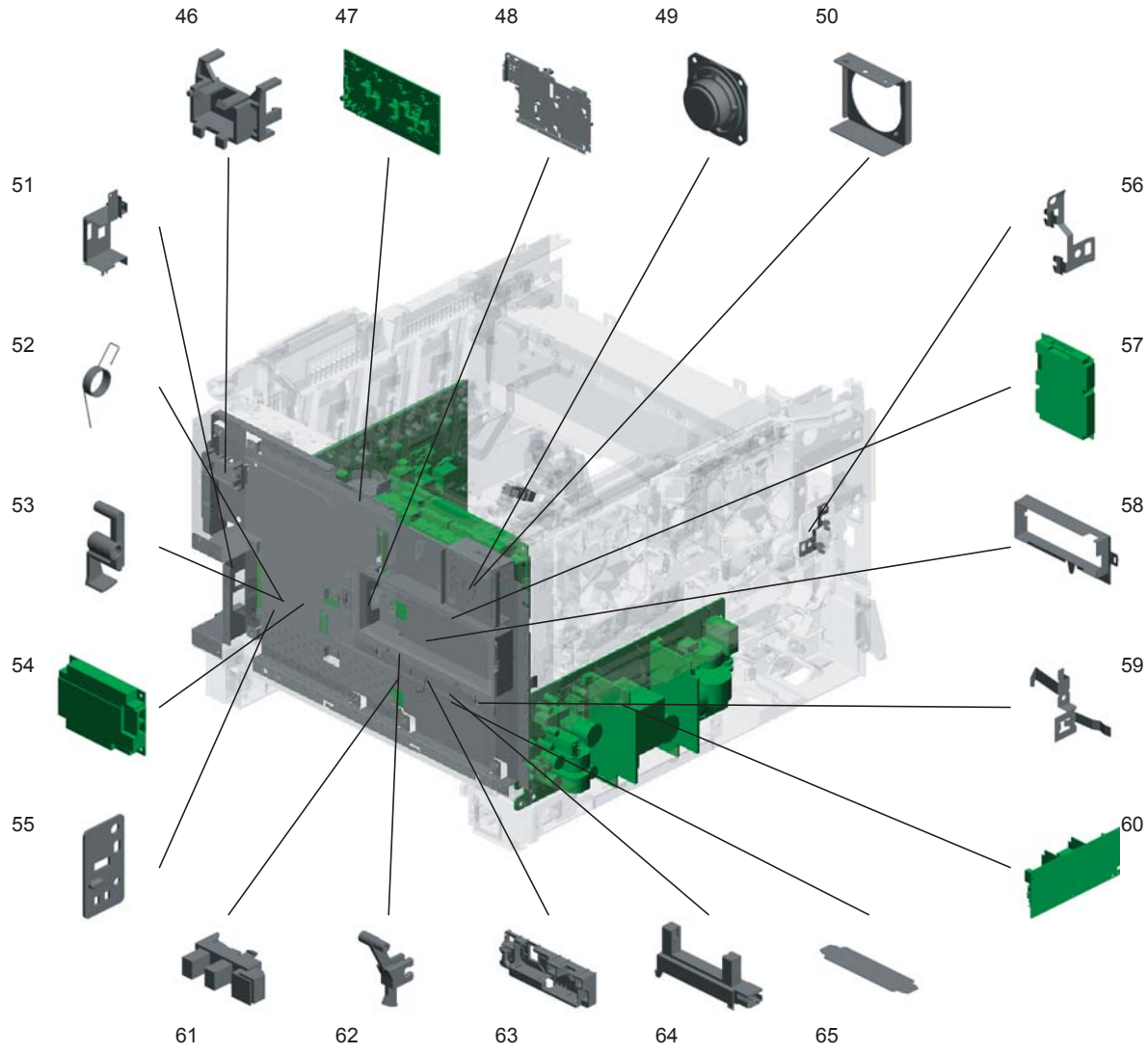
22
TAPPING SCREW - M3X10

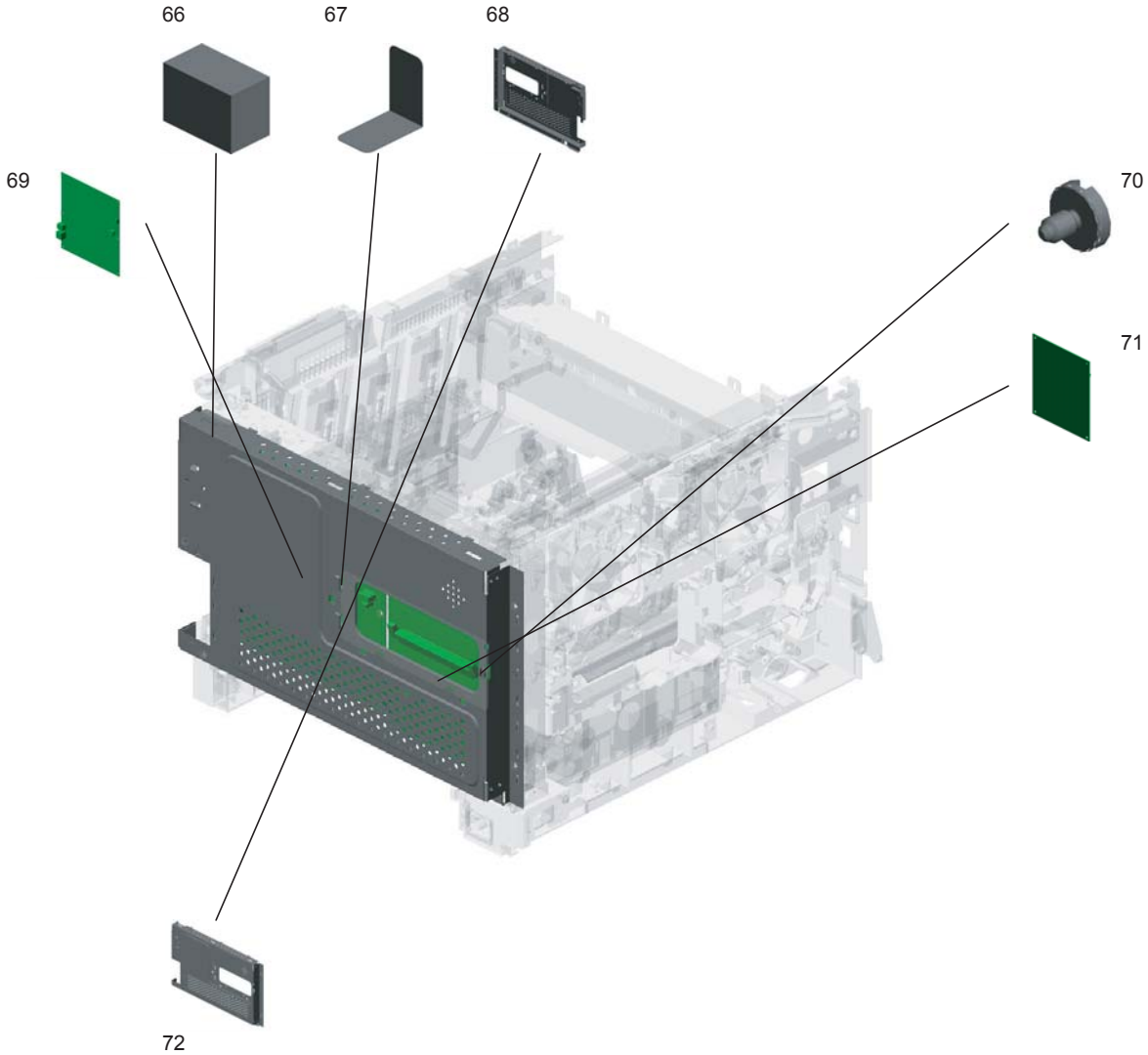
23
TAPPING SCREW - M3X6

24
TAPPING SCREW:3X8

25
CT CONNECTOR - 2P







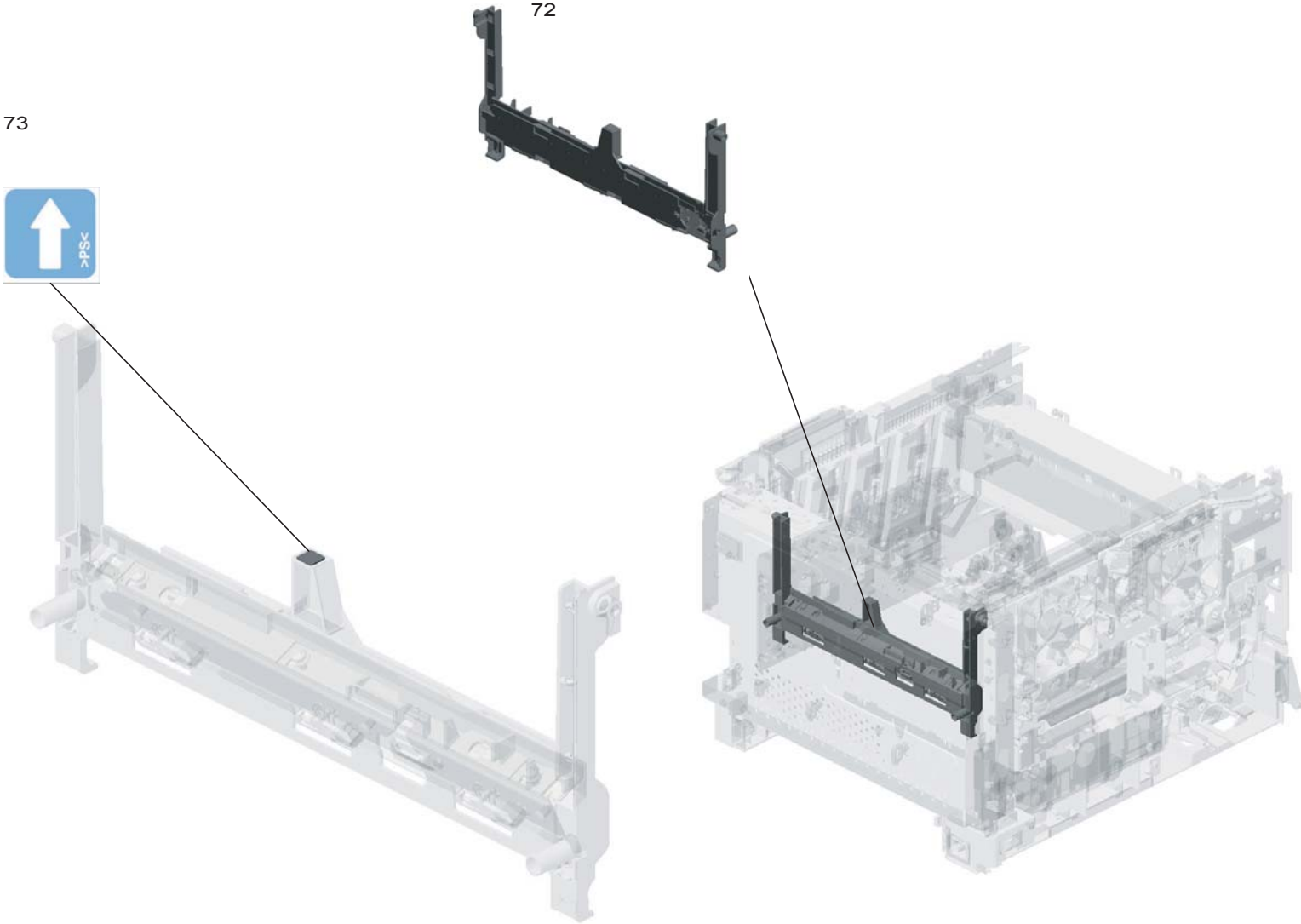


FIG. 2 Electrical Section(230v)

5JK

SP	Ref. No.	Part.No.	Alternative.	Description	Quantity	
					120	230
	1	305JK75400	5JK75400	FERRITE CORE:33.5X6.5X20		1
	2	305JK75480	5JK75480	BASE:HIGH VOLTAGE:3		1
	3	305HM11721	5HM11721	SCREW - M3X6		31
	4	305JK75380	5JK75380	EEPROM:BR93L76-W		1
	5	305JK70220	5JK70220	BRACKET - PHOTOINTERRUPTOR		2
	6	5HM40460	5HM40460	CLAMP		3
	7	5HM32240	5HM32240	EDGE SADDLE - LES-1010		1
⊙	8	305JK70170	5JK70170	TEMPERATURE & HUMIDITY SENSOR		1
	9	5HM32560	5HM32560	HARNES CLAMP		2
	10	305JK70210	5JK70210	STOPPER:PHOTOINTERRUPTOR		1
	11	305JK75370	5JK75370	MICRO SWITCH:D3V-16506-3C25		3
	12	305JK70290	5JK70290	EXIT DUCT		1
	13	305JK70240	5JK70240	SEAL:FAN:2		4
⊙	14	305JK70180	5JK70180	FAN:AXIAL:MM80:25MM		2
	15	305JK75350	5JK75350	SCREW - M3X8		2
	16	5HM70470	5HM70470	HARNES CLAMP - LWS-0711		4
	17	305H772000	5H772000	TAPPING SCREW - M3X10		32
	18	305H775540	5H775540	TAPPING SCREW - M3X6		5
	19	53107280	53107280	CT CONECTOR:PANEL MOUNT MODEL:JUNCTIO		2
	20	305JK70140	5JK70140	SCREW- M4X6		1
	21	305JK75390	5JK75390	FERRITE CORE - ZCAT1518-0730		1
	22	305H772000	5H772000	TAPPING SCREW - M3X10		1
	23	305H775540	5H775540	TAPPING SCREW - M3X6		1
	24	305H772160	5H772160	TAPPING SCREW 3X8		1
	25	53107240	53107240	CT CONNECTOR-2P		1
	26	305JK71960	5JK71960	2NDTERMINAL- TRANSFER		1
	27	305JK72060	5JK72060	LINK - SAFETY SWITCH		1
	28	305JK72120	5JK72120	ARM - SAFETY SWITCH		1
	29	305JK72080	5JK72080	TENSION SPRING - SAFETY SWITCH		1
	30	305JK72070	5JK72070	TORSION SPRING - SAFETY SWITCH		1
	31	305JK72000	5JK72000	TERMINAL:AIO		12
	32	305JK72100	5JK72100	1ST TERMINAL - TRANSFER		1
	33	305JK72020	5JK72020	HARNES COVER		1
	34	305JK71980	5JK71980	MEMORY COVER		2
	35	305JK72030	5JK72030	CUSHION - HARNES		3
	36	305JK72130	5JK72130	LEVER - SAFETY SWITCH		1
	37	305JK72090	5JK72090	COMPRESSION SPRING - SAFETY SWITCH		1
	38	305JK72050	5JK72050	BRACKET SAFETY SWITCH		1
	39	305JK72140	5JK72140	CONNECTOR HOLDER - FUSING		1
⊙	40	305JK71910	5JK71910	TERMINAL BOARD		1
	41	305JK71990	5JK71990	BRACKET - MAIN SWITCH		1
	42	305JK70300	5JK70300	DUCT		1
	43	305JK71930	5JK71930	BRACKET - POWER SUPPLY UNIT		1
	44	305JK71940	5JK71940	HARNES COVER - POWER SUPPLY UNIT		1
	45	305JK70590	5JK70590	HARNES GUIDE		1
	46	305JK73880	5JK73880	CASE - CORE		1
⊙	47	305JK74420	5JK74420	POWER PACK		1
	48	305JK73840	5JK73840	BRACKET - CONTROL BOARD		1
	49	305JK73820	5JK73820	SPEAKER - DIA50		1
	50	305JK73890	5JK73890	BRACKET - SPEAKER		1

SP	Ref. No.	Part.No.	Alternative.	Description	Quantity	
					120	230
	51	305JK73870	5JK73870	BRACKET - INTERFACE		1
	52	305JK72210	5JK72210	SPRING - FEELER		1
	53	305JK72220	5JK72220	SENSOR FEELER		1
⊙	54	305JK73830	5JK73830	PCB:FAX:EU:ASS'Y		1
	55	305JK72240	5JK72240	SENSOR HOLDER		1
	56	305JK72180	5JK72180	GROUND PLATE - FUSING		1
⊙	57	305JK74640	5JK74640	PCB:EGB-PMF2PIP:ASS'Y		1
	58	305JK73860	5JK73860	STOPPER:MEMORY		2
	59	305JK72250	5JK72250	GROUNDING PLATE		1
⊙	60	305JK74410	5JK74410	POWER SUPPLY UNIT - 230V		1
⊙	61	305JH71560	5JH71560	PHOTOINTERRUPTOR:LG248NL1		4
	62	305JK72390	5JK72390	FEELER - SET SENSOR		1
	63	305JK72400	5JK72400	SENSOR BRACKET		1
⊙	64	305JK72380	5JK72380	USED TONER SENSOR		1
	65	305JK72370	5JK72370	STOPPER SHEET - PHOTOINTERRUPTOR		1
	66	305JK74680	5JK74680	SPACER:GROUND PLATE:FLAT CABLE:SCANNER		1
	67	305JK74690	5JK74690	SHEET:COVER:SHADEING PLATE:MEMORY		4
	68	305JK73850	5JK73850	COVER:CONTROL BOARD:MF2C:ASS'Y		2
⊙	69	305JK74650	5JK74650	PCB:MAIN:ASS'Y		1
	70	305JK74700	5JK74700	SCREW		2
⊙	71	305JK74820	5JK74820	PCB:PDL:ASS'Y		2
⊙	72	305JK72190	5JK72190	DENSITY SENSOR:ASS'Y		1
	73	305JK72320	5JK72320	CLEANER DECAL - DENSITY SENSOR		1

• Parts with "*" are component parts or sub-assemblies of the assembly appearing immediately above them.

• Parts with "⊙" indicates the spare parts.

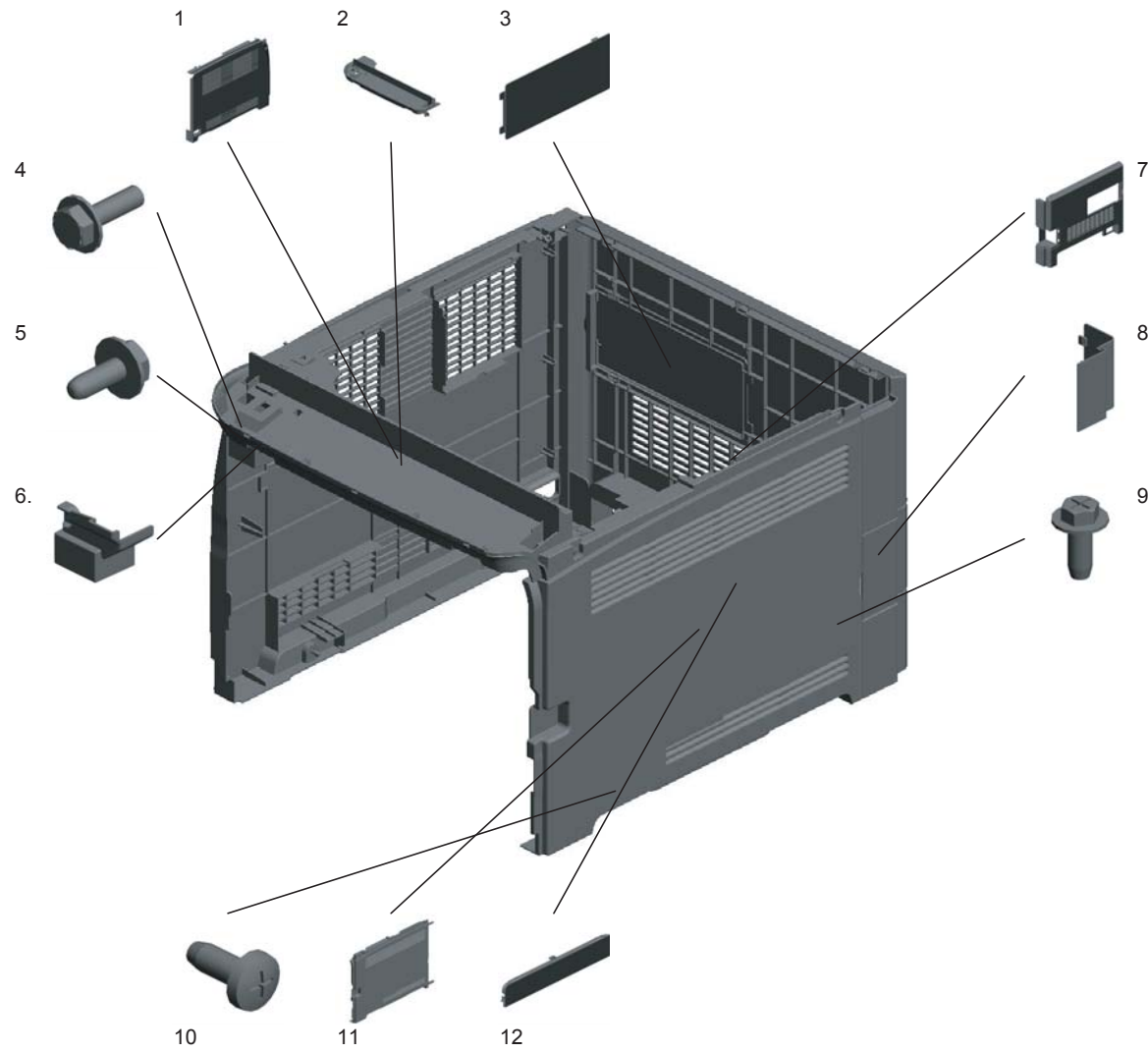


FIG. 3 Exterior

5JK

SP	Ref. No.	Part.No.	Alternative.	Description	Quantity	
					120	230
	1	305JK70820	5JK70820	COVER.LEFT:EU	1	1
	2	305JK72680	5JK72680	COVER - PAPER EXIT	1	1
	3	305JK70720	5JK70720	MEMORY COVER	1	1
	4	305JK75320	5JK75320	SCREW:M3X10	1	1
	5	305H772160	5H772160	TAPPING SCREW 3X8	3	3
	6	305JK70730	5JK70730	INNER COVER - EXIT	1	1
	7	305JK72700	5JK72700	REAR COVER - EU	1	1
	8	305JK72690	5JK72690	COVER - INTERFACE	1	1
	9	305H772040	5H772040	TAPPING SCREW M4X10	2	2
	10	305JK75340	5JK75340	BINDING SELF-TAPPING SCREW:4X10	5	5
	11	305JK70810	5JK70810	COVER:RIGHT:EU	1	1
⊙	12	305JK70740	5JK70740	CASSETTE COVER	1	1

- Parts with "*" are component parts or sub-assemblies of the assembly appearing immediately above them.
- Parts with "⊙" indicates the spare parts.

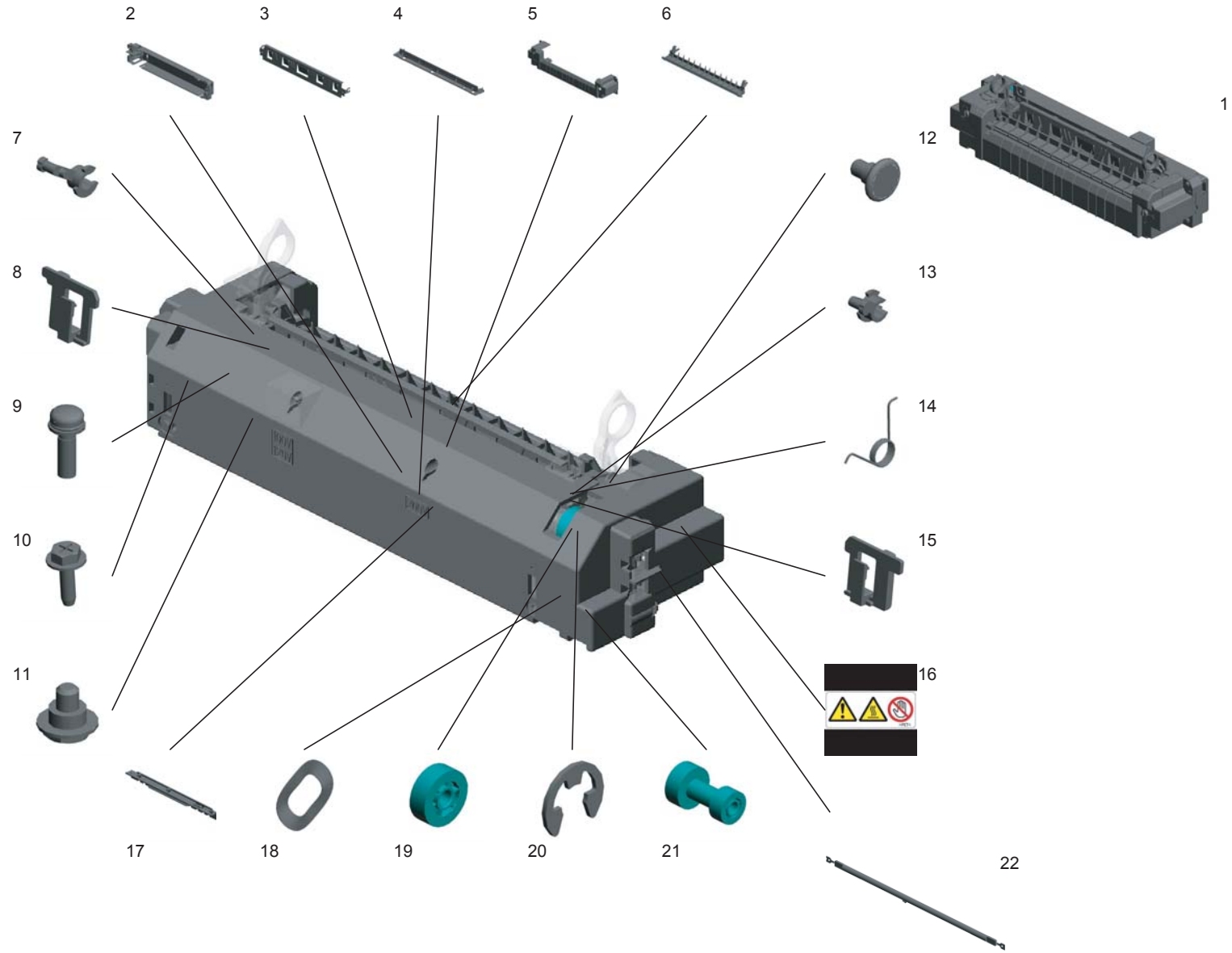


FIG. 4 Fuser Section

SP	Ref. No.	Part.No.	Alternative.	Description	Quantity	
					120	230
⊙	1	305JK74740	5JK74740	FUSING UNIT:NA:ASS'Y	1	
⊙	1	305JK71690	5JK71690	FUSING UNIT:EU:ASS'Y		1
	2	305JK71700	5JK71700	REAR COVER - FUSING UNIT	1	1
	3	305JK71750	5JK71750	STRIPPER PLATE	1	1
	4	305JK71720	5JK71720	FUSING ENTRANCE GUIDE - UPPER	1	1
	5	305JK71710	5JK71710	FRONT COVER - FUSING UNIT	1	1
	6	305JK71740	5JK71740	GUIDE PLATE - FUSING EXIT	1	1
	7	305JK71760	5JK71760	RIGHT COLLAR- STRIPPER PLATE	1	1
	8	305JK71790	5JK71790	RIGHT POSITIONING PLATE - STRIPPER	1	1
	9	305JK75490	5JK75490	SCREW:SMALL ROUND/SPRING:M3X10	2	2
	10	305H772000	5H772000	TAPPING SCREW - M3X10	7	7
	11	305JK70130	5JK70130	SHOULDER SCREW - M3	2	2
	12	305JK70150	5JK70150	SCREW:M4:EXTERIOR	2	2
	13	305JK71770	5JK71770	LEFT COLLAR- STRIPPER PLATE	1	1
	14	305JK71800	5JK71800	TORSION SPRING - STRIPPER PLATE	2	2
	15	305JK71780	5JK71780	LEFT POSITIONING PLATE- STRIPPER	1	1
	16	305JK71810	5JK71810	DECAL - HIGH TEMPERATURE	1	1
	17	305JK71730	5JK71730	FUSING ENTRANCE GUIDE - LOWER	2	2
	18	305JK70200	5JK70200	SPRING WASHER	1	1
	19	305JK74160	5JK74160	IDLE GEAR - 20Z	1	1
	20	54930350	54930350	E END RING 4	1	1
	21	305JK74200	5JK74200	IDLE GEAR - 15/25Z	1	1
⊙	22	305JK74830	5JK74830	FUSING LAMP - 120V 1000W	1	
⊙	22	305JK74400	5JK74400	FUSING LAMP - 230V 1000W		1

- Parts with "*" are component parts or sub-assemblies of the assembly appearing immediately above them.
- Parts with "⊙" indicates the spare parts.

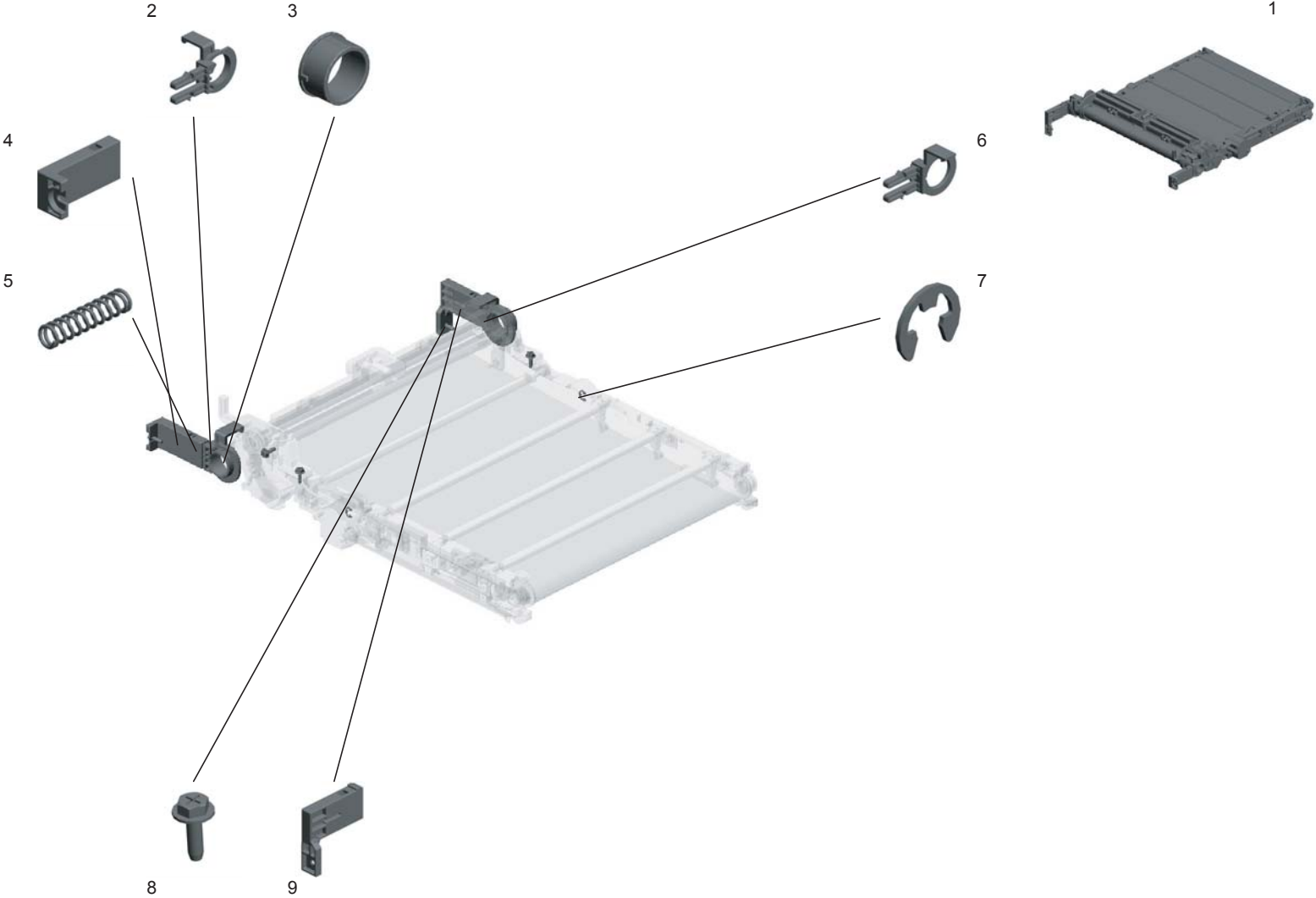


FIG. 5 Transfer Section

SP	Ref. No.	Part.No.	Alternative.	Description	Quantity	
					120	230
⊙	1	305JK74430	5JK74430	INTERMEDIATE TRANSFER UNIT	1	1
	2	305JK72340	5JK72340	RIGHT HOLDER - TRANSFER BELT UNIT	1	1
	3	305JK72200	5JK72200	BUSHING - 19MM	2	2
	4	305JK72350	5JK72350	RIGHT SLIDER - TRANSFER BELT UNIT	1	1
	5	305JK72230	5JK72230	COMPRESSION SPRING	2	2
	6	305JK72330	5JK72330	LEFT HOLDER - TRANSFER BELT UNIT	1	1
	7	54930350	54930350	E END RING 4	2	2
	8	305H772000	5H772000	TAPPING SCREW - M3X10	5	5
	9	305JK72360	5JK72360	LEFT SLIDER - TRANSFER BELT UNIT	1	1

- Parts with "*" are component parts or sub-assemblies of the assembly appearing immediately above them.
- Parts with "⊙" indicates the spare parts.

1

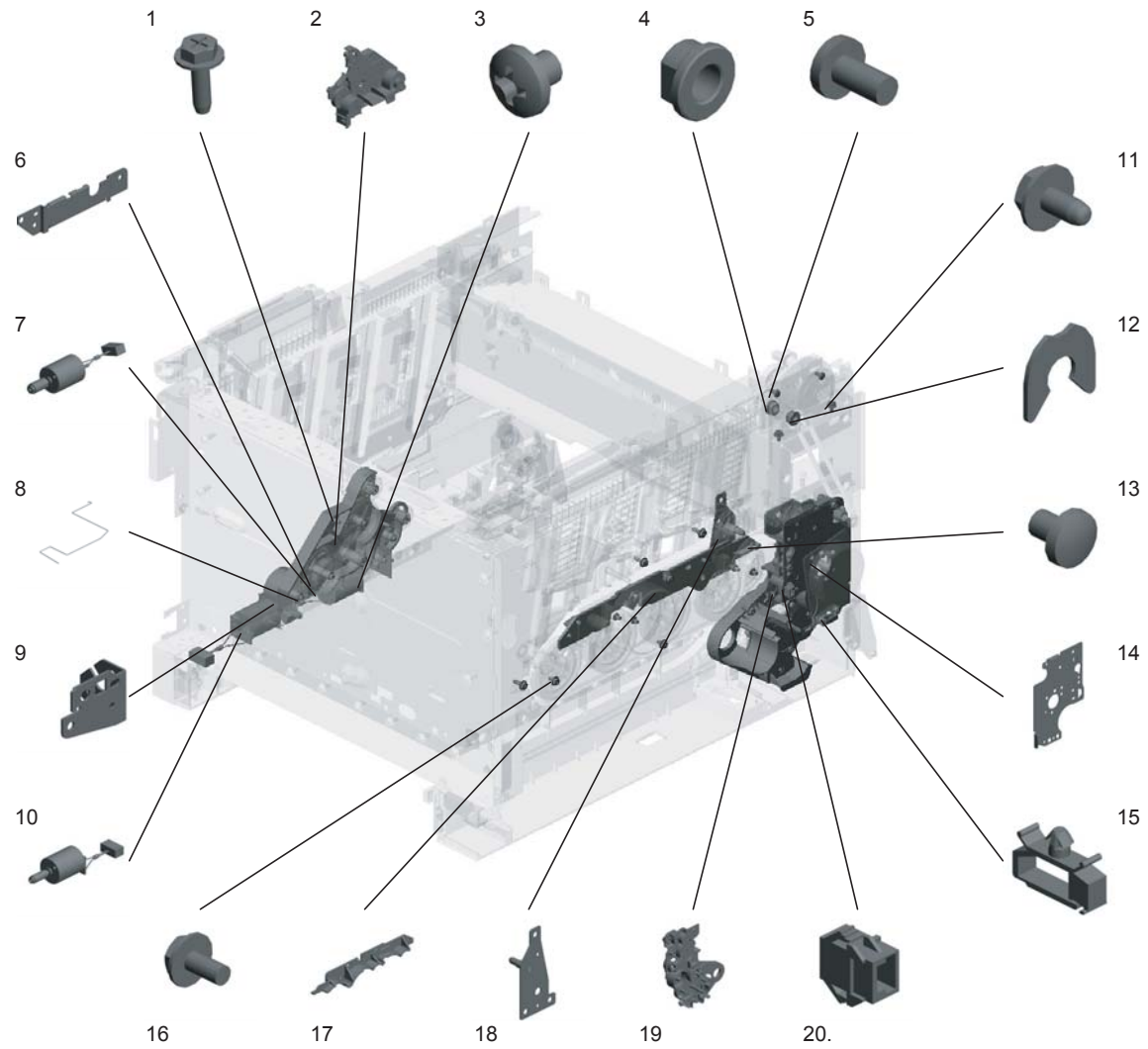


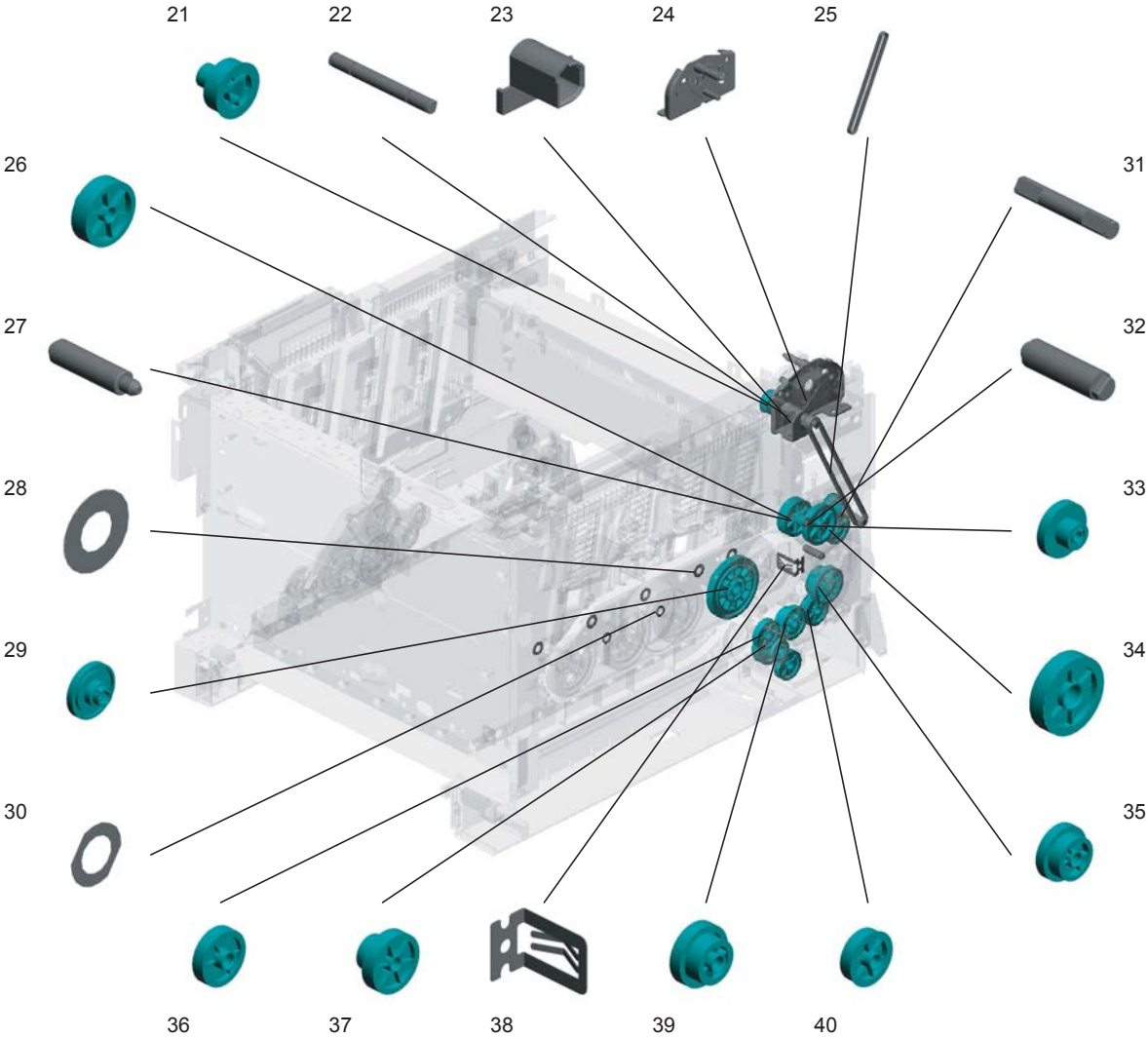
FIG. 6 Laser Scanner Section

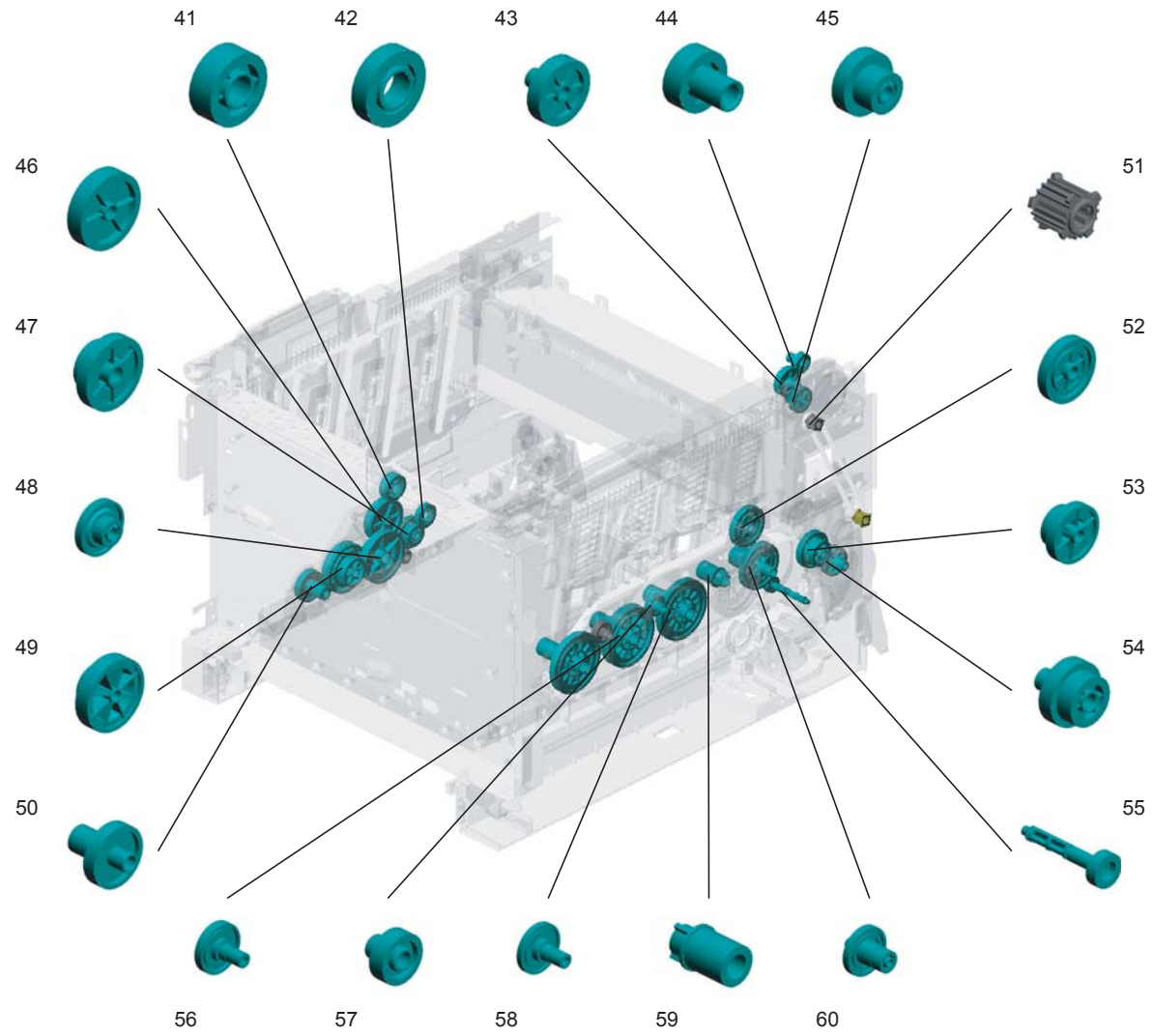
5JK

SP	Ref. No.	Part.No.	Alternative.	Description	Quantity	
					120	230
⊙	1	305JK70880	5JK70880	IMAGING UNIT:ASS'Y	1	1

- Parts with "*" are component parts or sub-assemblies of the assembly appearing immediately above them.
- Parts with "⊙" indicates the spare parts.







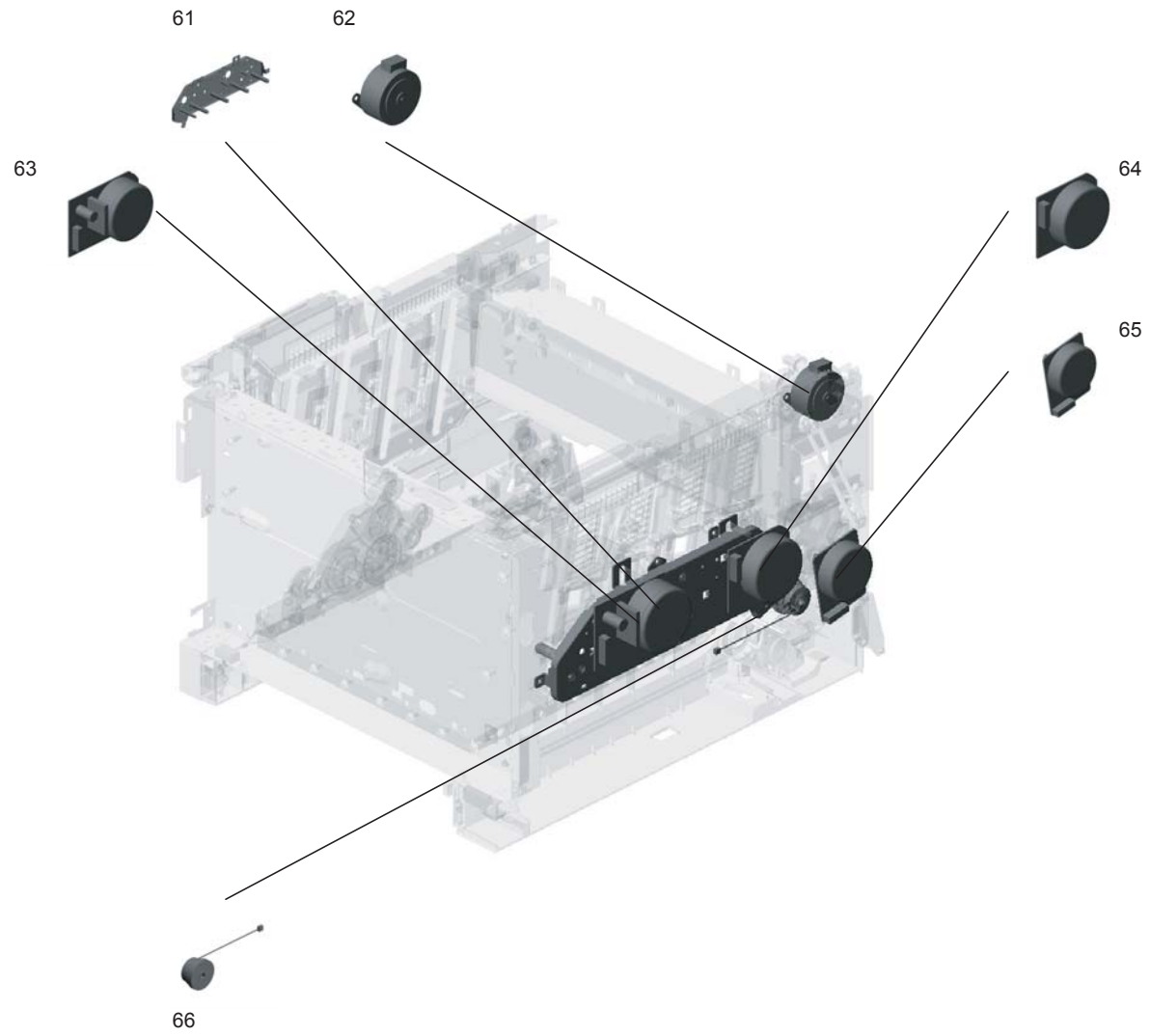


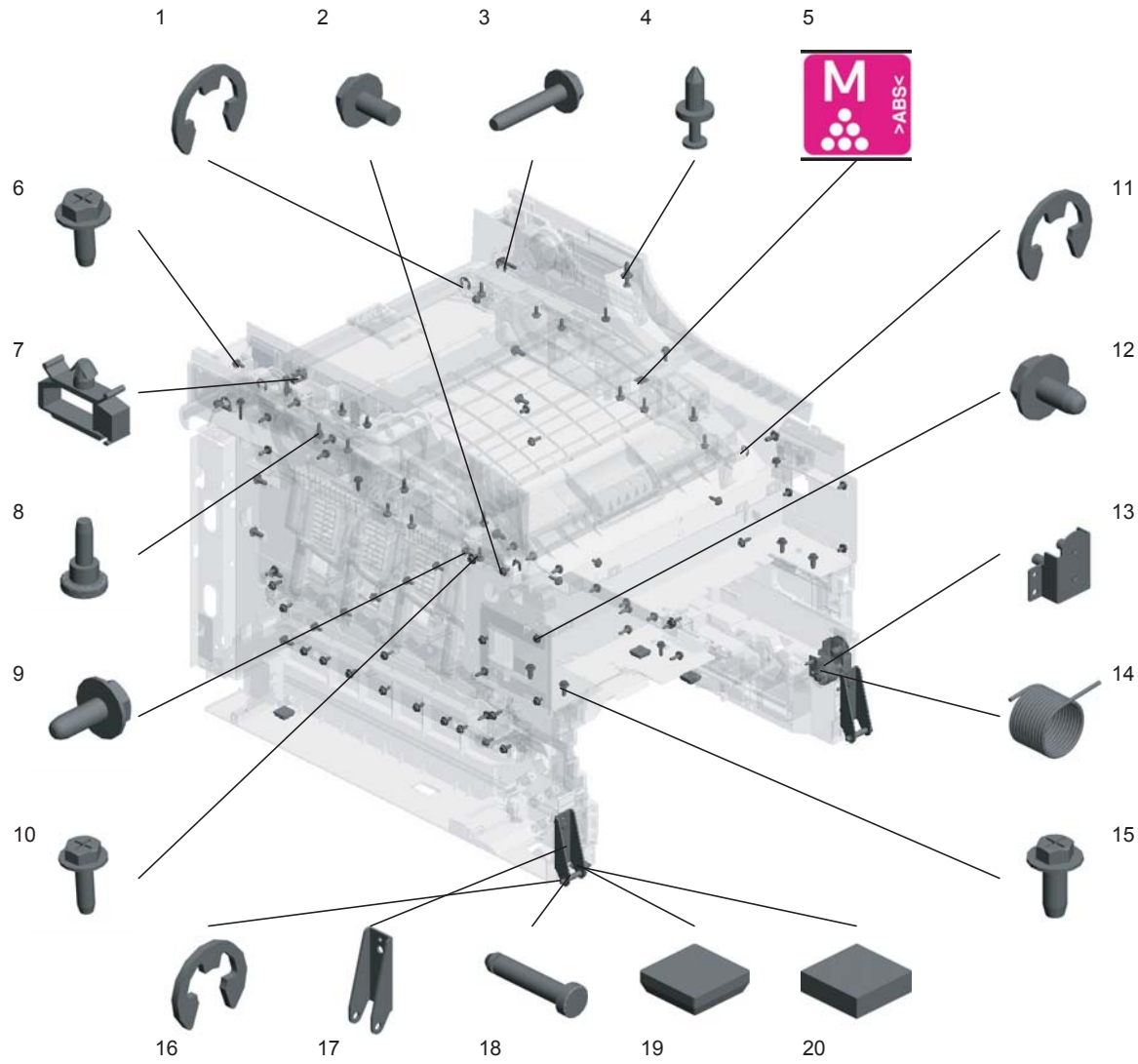
FIG. 7 Drive Section

5JK

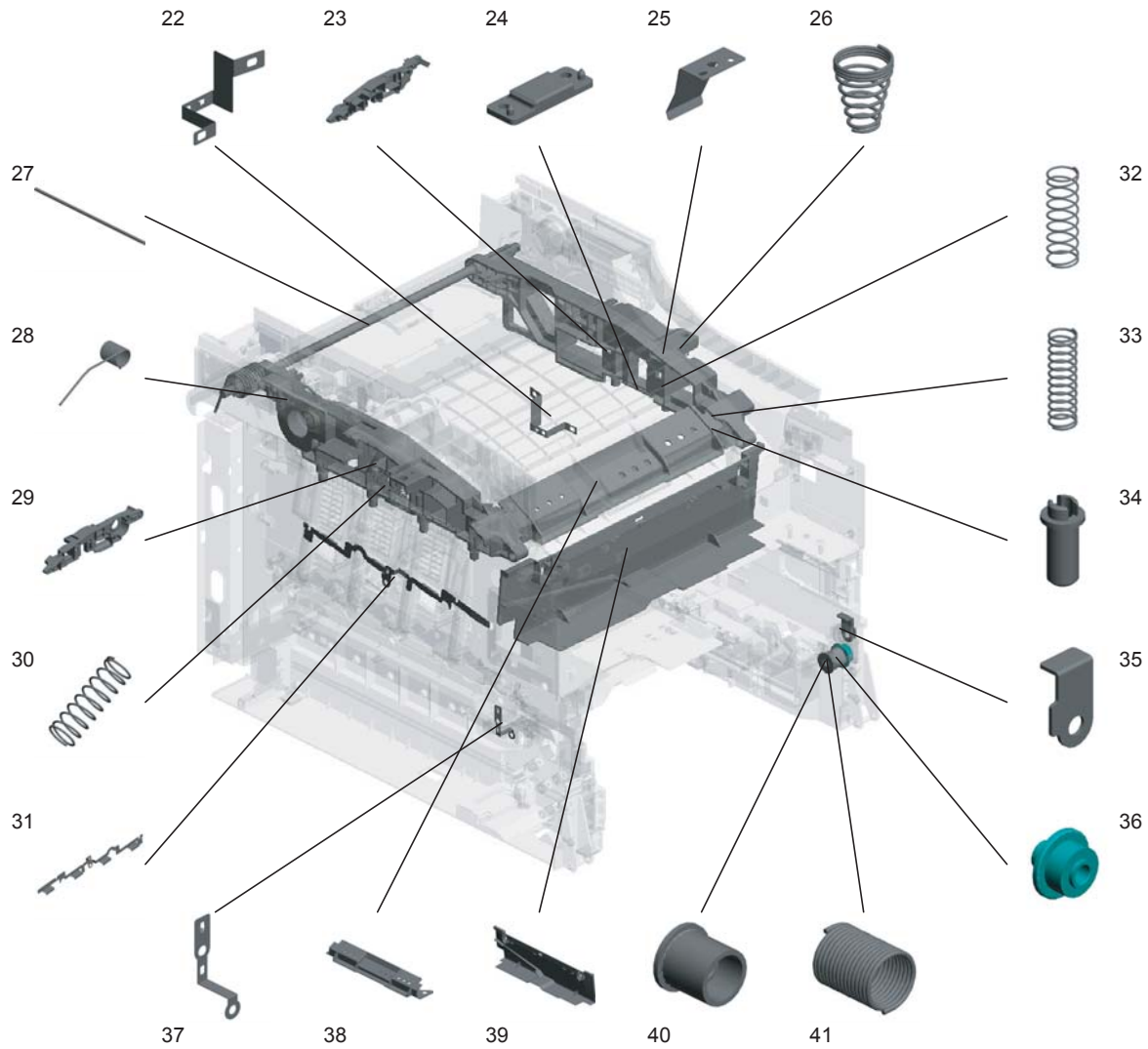
SP	Ref. No.	Part.No.	Alternative.	Description	Quantity	
					120	230
	1	305H772000	5H772000	TAPPING SCREW - M3X10	15	15
	2	305JK70640	5JK70640	FRAME - ON-OFF DRIVE UNIT	1	1
	3	305H773290	5H773290	BIND SCREW - M3X3	6	6
	4	5HM40130	5HM40130	BUSHING - 6X10X6	2	2
	5	3053106051	53106051	PHILIPS PAN HEAD SCREW - M3X6	2	2
	6	305JK70650	5JK70650	SHIELDING PLATE	1	1
⊙	7	305JK70670	5JK70670	MOTOR - DC24V 1.6W	1	1
	8	305JK70620	5JK70620	GROUNDING WIRE	1	1
	9	305JK70630	5JK70630	MOTOR BRACKET	2	2
⊙	10	305JK70660	5JK70660	DC MOTOR:ON-OFF:ASSY	1	1
	11	305H775540	5H775540	TAPPING SCREW - M3X6	2	2
	12	305JH74060	5JH74060	RETAINING RING - M4	3	3
	13	3053106041	53106041	SCREW - M3X4	9	9
	14	305JK70690	5JK70690	MOTOR BRACKET	1	1
	15	5HM40460	5HM40460	CLAMP	1	1
	16	305HM11721	5HM11721	SCREW - M3X6	3	3
	17	305JK70580	5JK70580	SHIELDING PLATE	1	1
	18	305JK70600	5JK70600	FRAME - TRANSFER DRIVE UNIT	1	1
	19	305JK70680	5JK70680	FRAME - TRANSPORT DRIVE UNIT	1	1
	20	53107240	53107240	CT CONNECTOR-2P	1	1
	21	305JK74070	5JK74070	GEAR - 21Z	2	2
	22	305JK73970	5JK73970	SHAFT - 6 X 55.3MM	1	1
	23	305JK72110	5JK72110	HARNESS COVER	1	1
	24	305JK70710	5JK70710	FRAME - DUPLEX DRIVE UNIT	1	1
	25	305JK73910	5JK73910	TIMING BELT - 60S2M280	1	1
	26	305JK74020	5JK74020	GEAR - 19/38Z	1	1
	27	305JK73980	5JK73980	SHAFT - 6 X 26.7MM	1	1
	28	305JK73940	5JK73940	SPACER - 0.13 X 12MM	5	5
	29	305JK74000	5JK74000	GEAR:AIO:DRIVE:1	1	1
	30	305JK73950	5JK73950	SPACER - 0.13 X 10MM	2	2
	31	305JK73960	5JK73960	SHAFT - 6 X 39.5MM	1	1
	32	305JK73990	5JK73990	SHAFT - 6 X 21.9MM	2	2
	33	305JK74010	5JK74010	GEAR - 37Z	1	1
	34	305JK74090	5JK74090	GEAR - 31Z	1	1
	35	305JK74030	5JK74030	GEAR - 28/36Z	1	1
	36	305JK74080	5JK74080	GEAR - 28Z	2	2
	37	305JK74040	5JK74040	GEAR - 20/35Z	1	1
	38	305JK70700	5JK70700	GROUNDING PLATE	1	1
	39	305JK74060	5JK74060	GEAR - 22/31Z	1	1
	40	305JK74050	5JK74050	GEAR - 29Z	1	1
	41	305JK74180	5JK74180	GEAR - 21Z	1	1
	42	305JK74190	5JK74190	GEAR - 19Z	1	1
	43	305JK74110	5JK74110	GEAR - 29Z	1	1
	44	305JK74100	5JK74100	GEAR - 19Z	1	1
	45	305JK74250	5JK74250	GEAR - 16/42Z	1	1
	46	305JK74170	5JK74170	GEAR - 35Z	1	1
	47	305JK74300	5JK74300	GEAR - 17/42Z	1	1
	48	305JK74280	5JK74280	GEAR - 21/73Z	1	1
	49	305JK74290	5JK74290	GEAR - 40/65Z	1	1
	50	305JK74270	5JK74270	GEAR - 16/51Z	2	2

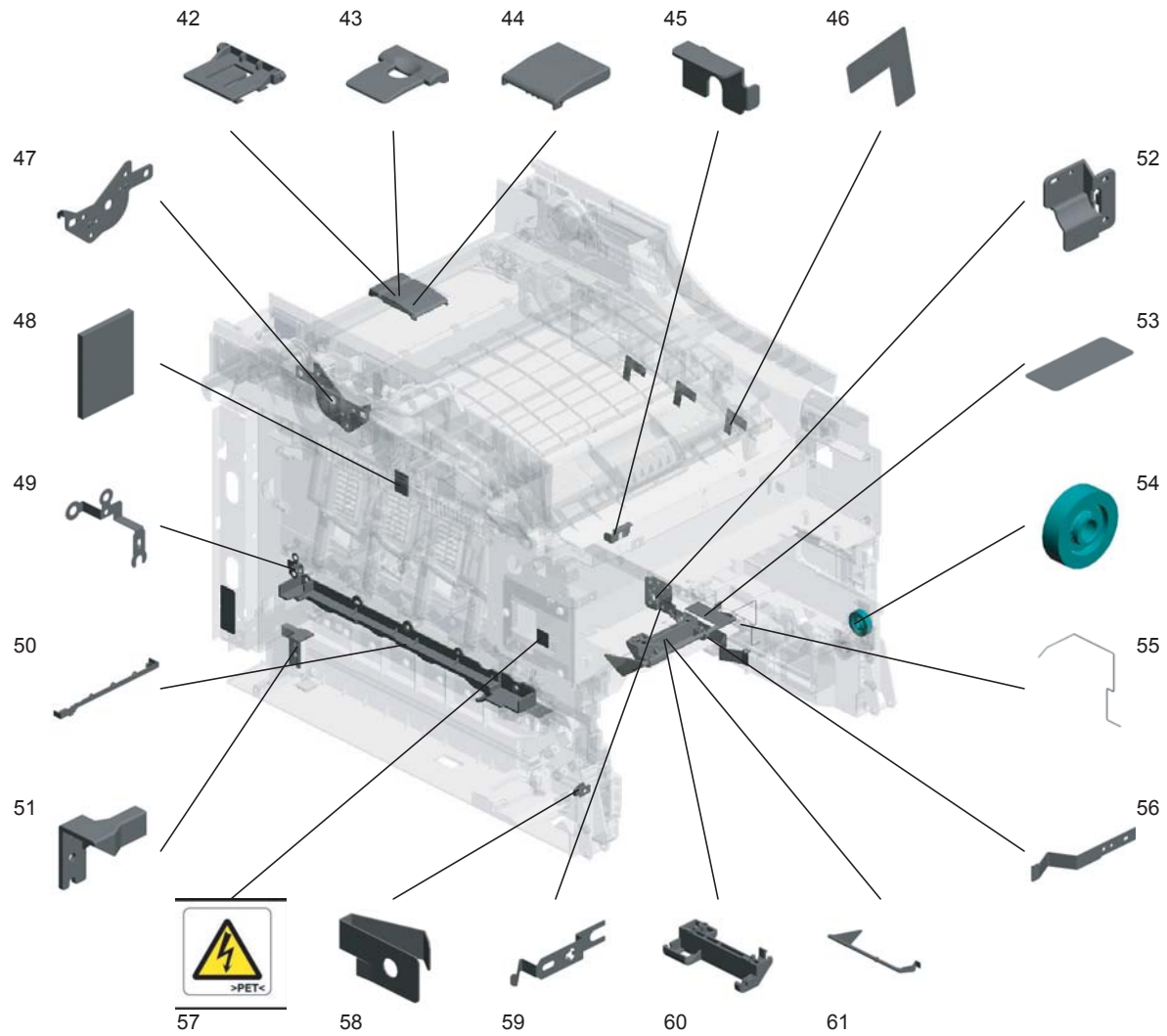
SP	Ref. No.	Part.No.	Alternative.	Description	Quantity	
					120	230
	51	305JK74320	5JK74320	PULLEY - 18T	2	2
	52	305JK74150	5JK74150	GEAR - 54Z	1	1
	53	305JK74240	5JK74240	GEAR - 24/57Z	1	1
	54	305JK74230	5JK74230	GEAR - 21/45Z	1	1
	55	305JK74120	5JK74120	REGIST DRIVE GEAR	1	1
	56	305JK74260	5JK74260	GEAR - 22/99Z CYAN	1	1
	57	305JK74140	5JK74140	GEAR - 33Z	2	2
	58	305JK74210	5JK74210	GEAR - 22/99Z	2	2
	59	305JK74310	5JK74310	GEAR:AIO:JOINT:2	1	1
	60	305JK74220	5JK74220	GEAR - 27/76Z	1	1
	61	305JK74440	5JK74440	BRACKET:MOTOR:ASS'Y	1	1
⊙	62	305JK74810	5JK74810	STEPPER MOTOR - DC 14.8W	1	1
⊙	63	305JK74380	5JK74380	BRUSHLESS MOTOR:DC24V:40W	1	1
⊙	64	305JK74370	5JK74370	BRUSHLESS MOTOR:DC24V:24W	1	1
⊙	65	305JK74360	5JK74360	BRUSHLESS MOTOR:DC24V:10W	1	1
⊙	66	305JK74390	5JK74390	MAGNETIC CLUTCH	1	1

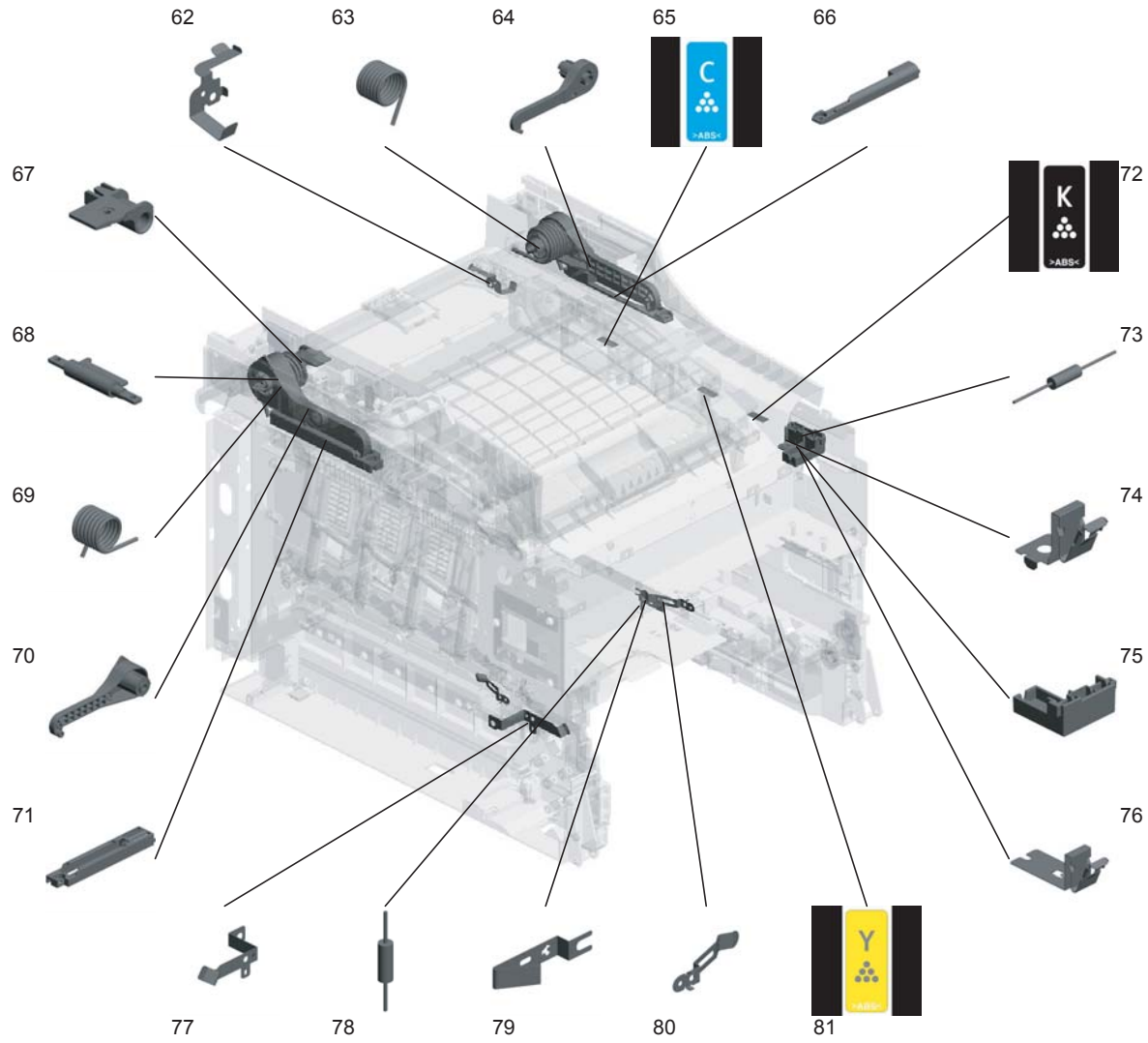
- Parts with "*" are component parts or sub-assemblies of the assembly appearing immediately above them.
- Parts with "⊙" indicates the spare parts.



21.
TAPPING SCREW - M3X10







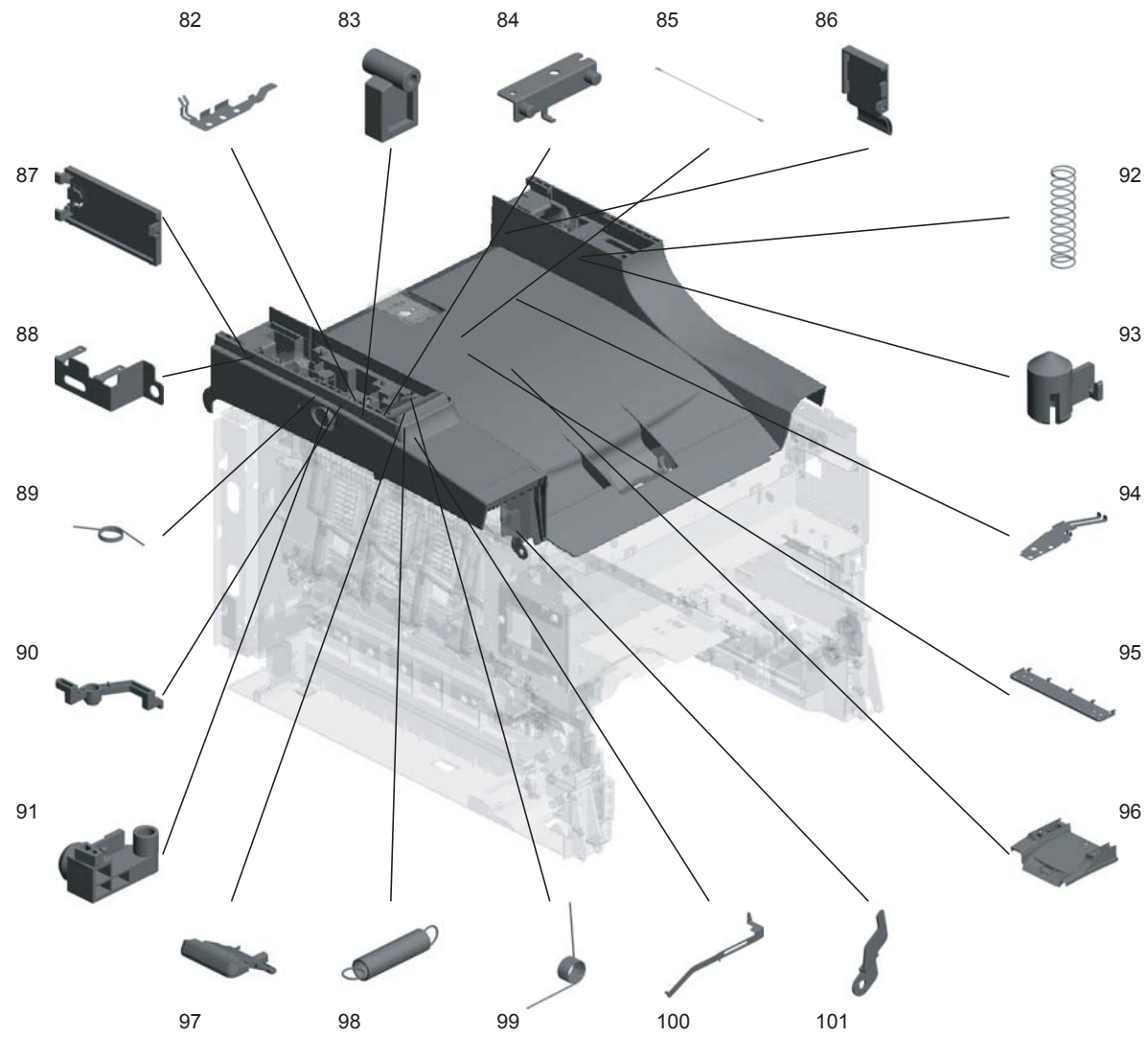


FIG. 8 Frames

5JK

SP	Ref. No.	Part.No.	Alternative.	Description	Quantity	
					120	230
	1	54930220	54930220	E MODEL STOP RING 6	4	4
	2	305HM11721	5HM11721	SCREW - M3X6	2	2
	3	305JK75330	5JK75330	TAPPING SCREW:3X16	4	4
	4	305JH70200	5JH70200	RIVET:MM5	1	1
	5	305JK70260	5JK70260	COLOR DECAL - MAGENTA	1	1
	6	3038407031	38407031	TAPPING SCREW - M3X8	4	4
	7	5HM40460	5HM40460	CLAMP	1	1
	8	305JK70190	5JK70190	STEPPED SCREW - M5	1	1
	9	305H772160	5H772160	TAPPING SCREW 3X8	22	22
	10	305H772000	5H772000	TAPPING SCREW - M3X10	40	40
	11	54930350	54930350	E END RING 4	3	3
	12	305H775540	5H775540	TAPPING SCREW - M3X6	8	8
	13	305JK70250	5JK70250	CLUTCH/BRAKE BRAKET	1	1
	14	305JK70330	5JK70330	CLUTCH/BRAKE SPRING	1	1
	15	305H772040	5H772040	TAPPING SCREW M4X10	17	17
	16	54530450	54530450	RETAINING RING-M3	2	2
	17	305JK70310	5JK70310	BASE:HINGE:COVER:FRONT	2	2
	18	305JK70320	5JK70320	PIN:HINGE	2	2
	19	305JK70270	5JK70270	SPACER:RUBBER FOOT	4	4
	20	305JK70280	5JK70280	RUBBER FOOT:MACHINE OR COPIER:MM10	4	4
	21	305H772000	5H772000	TAPPING SCREW - M3X10	1	1
	22	305JK70450	5JK70450	GROUNDING PLATE - HIGH VOLTAGE	1	1
	23	305JK70400	5JK70400	FRAME:UPPER RIGHT	1	1
	24	305JK70480	5JK70480	BRACKET:OPTICAL UNIT:FRAME:UPPER	2	2
	25	305JK70470	5JK70470	SPRING PLATE:LSU:POSITIONING	1	1
	26	305JK70490	5JK70490	SPRING:CUSHION:FRAME:UPPER	2	2
	27	305JK70420	5JK70420	SHAFT	1	1
	28	305JK70440	5JK70440	TWIST SPRING - LEFT	1	1
	29	305JK70390	5JK70390	FRAME:UPPER LEFT	1	1
	30	305JK70430	5JK70430	COMPRESSION SPRING	2	2
	31	305JK70520	5JK70520	GROUND PLATE - DCHIP	1	1
	32	305JK70410	5JK70410	SPRING:PLATE:AIO	4	4
	33	305JK70460	5JK70460	SPRING:PLATE:AIO:BLACK	4	4
	34	305JK70510	5JK70510	PIN:PLATE:DEVELOPMENT UNIT	8	8
	35	305JK70380	5JK70380	RACK SUPPORTER	1	1
	36	305JK70360	5JK70360	GEAR - 14Z	1	1
	37	305JK70530	5JK70530	GROUND PLATE - POWER SUPPLY UNIT	1	1
	38	305JK70500	5JK70500	UPPER FRONT DUCT	1	1
	39	305JK70370	5JK70370	FUSING DUCT	1	1
	40	305JK70350	5JK70350	CLUTCH/BRAKE CASE	1	1
	41	305JK70340	5JK70340	CLUTCH SPRING	1	1
	42	305JK70770	5JK70770	BASE - EXIT END FENCE	1	1
	43	305JK70780	5JK70780	REAR END FENCE - EXIT	1	1
	44	305JK70790	5JK70790	FRONT END FENCE - EXIT	1	1
	45	305JK70830	5JK70830	KEY:FUSING	1	1
	46	305JK70800	5JK70800	SHEET:FRAME:RIGHT	3	3
	47	305JK70840	5JK70840	BRACKET:BRAKE:COVER:UPPER	1	1
	48	305JK70760	5JK70760	CUSHION - IMAGING UNIT	1	1
	49	305JK70570	5JK70570	GROUND PLATE - LEFT	1	1
	50	305JK70610	5JK70610	GEAR COVER	1	1

SP	Ref. No.	Part.No.	Alternative.	Description	Quantity	
					120	230
	51	305JK71120	5JK71120	HOLDER:PAPER TRAY:POSITIONING	1	1
	52	305JK71160	5JK71160	HOLDER:RESISTOR:BASE	1	1
	53	305JK70550	5JK70550	SHEET:BASE:FRAME	3	3
	54	305JK70540	5JK70540	GEAR - 20Z	1	1
	55	305JK71080	5JK71080	GROUNDING SPRING	1	1
	56	305JK71090	5JK71090	SPRING PLATE:PAPER TRAY:POSITIONING	1	1
	57	305JK70850	5JK70850	DECAL - HIGH VOLTAGE	1	1
	58	305JK70560	5JK70560	GROUND PLATE - FRONT	1	1
	59	305JK71170	5JK71170	SPRING PLATE:RESISTOR:BASE:LOWER	1	1
	60	305JK71110	5JK71110	FEELER HOLDER	1	1
	61	305JK71100	5JK71100	FEELER - PAPER END SENSOR	1	1
	62	305JK71950	5JK71950	GROUND PLATE:SHAFT:IMAGING UNIT	1	1
	63	305JK72450	5JK72450	RIGHT TORSION SPRING - ARM	1	1
	64	305JK72430	5JK72430	RIGHT SLIDE ARM	1	1
	65	305JK71220	5JK71220	COLOR DECAL -CYAN	1	1
	66	305JK72470	5JK72470	SLIDE RAIL:RIGHT	1	1
	67	305JK72010	5JK72010	HARNESS CLAMP HOLDER	1	1
	68	305JK72480	5JK72480	HINGE - TORQUE LIMITER	1	1
	69	305JK72440	5JK72440	LEFT TORSION SPRING - ARM	1	1
	70	305JK72420	5JK72420	LEFT SLIDE ARM	1	1
	71	305JK72460	5JK72460	SLIDE RAIL:LEFT	1	1
	72	305JK71210	5JK71210	DECAL - BLACK	1	1
	73	305JK71650	5JK71650	RESISTOR - 50M OHM +-10% 0.5W	1	1
	74	305JK72170	5JK72170	GROUND PLATE - OUTPUT	1	1
	75	305JK72150	5JK72150	RESISTORHOLDER - EXIT	1	1
	76	305JK72160	5JK72160	GROUND PLATE -INPUT	1	1
	77	305JK71320	5JK71320	GROUND PLATE:REGISTRATION ROLLER	1	1
	78	305JK71640	5JK71640	RESISTOR - 100M OHM +-10% 0.5W	1	1
	79	305JK71180	5JK71180	SPRING PLATE:RESISTOR:BASE:UPPER	1	1
	80	305JK72410	5JK72410	SPRING PLATE-COLLECTION BOTTLE	2	2
	81	305JK71230	5JK71230	DECAL - YELLOW	1	1
	82	305JK72630	5JK72630	GROUND PLATE:SUPPORTING PLATE:LEFT	1	1
	83	305JK72530	5JK72530	STOPPER PLATE - SCANNER	1	1
	84	305JK72610	5JK72610	BRACKET - ARM	1	1
	85	305JK72580	5JK72580	WIRE - SCANNER LOCK	1	1
	86	305JK72660	5JK72660	RIGHT HARNESS COVER -SCANNER	1	1
	87	305JK72670	5JK72670	LEFT HARNESS COVER - SCANNER	1	1
	88	305JK73180	5JK73180	LEFT GROUND PLATE - SCANNER	1	1
	89	305JK72520	5JK72520	TORSION SPRING- SLIDE STOPPER	1	1
	90	305JK72570	5JK72570	RIGHT ACTUATOR - STOPPER	1	1
	91	305JK72510	5JK72510	LEFT SLIDE STOPPER - SCANNER	1	1
	92	305JK72550	5JK72550	COMPRESSION SPRING - STOPPER	1	1
	93	305JK72540	5JK72540	RIGHT SLIDE STOPPER - SCANNER	1	1
	94	305JK72640	5JK72640	GROUND PLATE:SUPPORTING PLATE:RIGHT	1	1
	95	305JK72560	5JK72560	UPPER SUPPORTING PLATE - COVER	1	1
	96	305JK72650	5JK72650	UPPER COVER	1	1
	97	305JK72490	5JK72490	SEPARATION PLATE - SLIDE	1	1
	98	305JK72620	5JK72620	TENSION SPRING -LOCK ARM	1	1
	99	305JK72500	5JK72500	TORSION SPRING - SEPARATION PLATE	1	1
	100	305JK72600	5JK72600	ARM - LOCK LEVER	1	1
	101	305JK72590	5JK72590	PLATE:SHAFT	1	1

• Parts with "*" are component parts or sub-assemblies of the assembly appearing immediately above them.

• Parts with "⊙" indicates the spare parts.

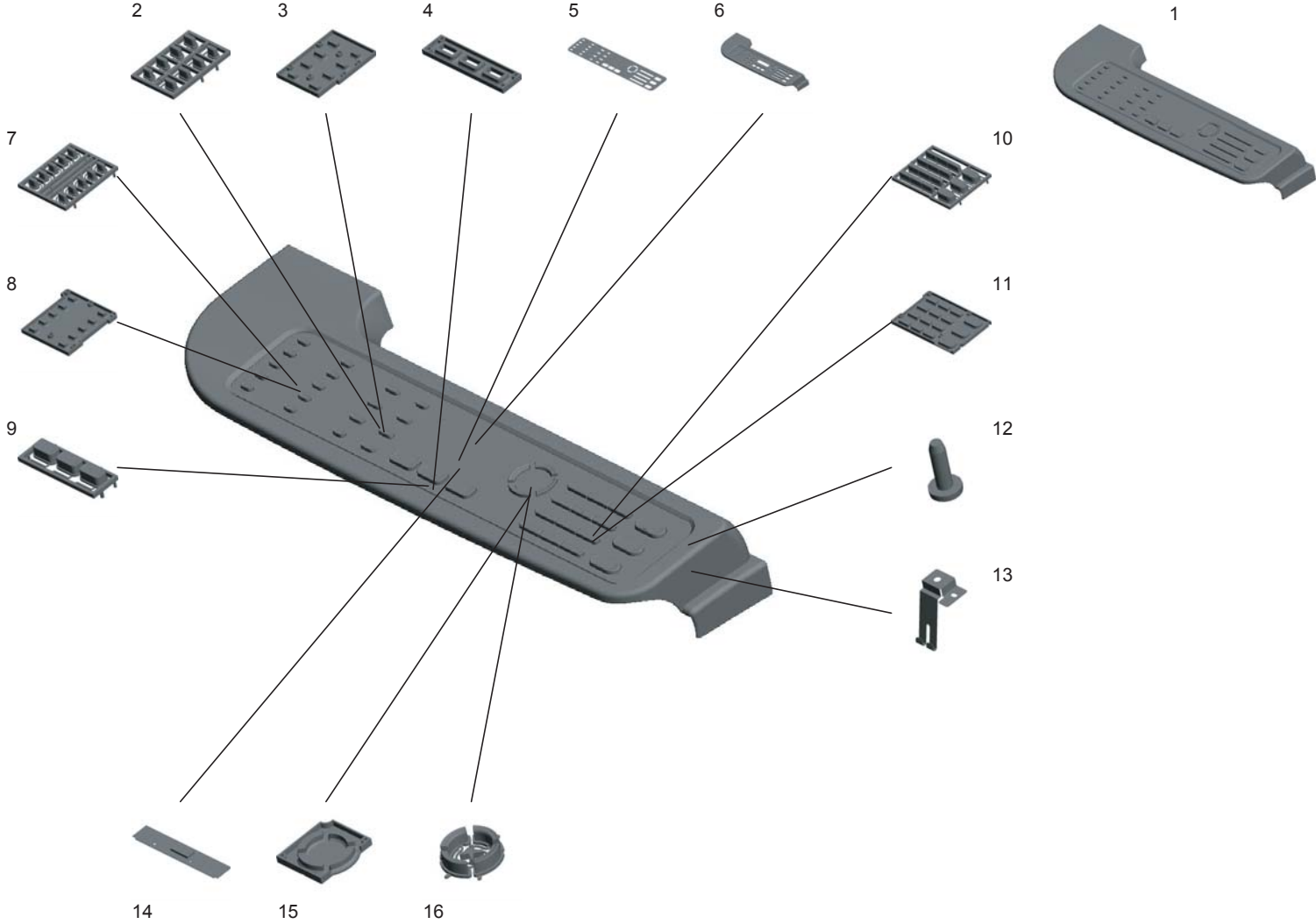


FIG. 9 Operation Section

SP	Ref. No.	Part.No.	Alternative.	Description	Quantity	
					120	230
⊙	1	305JK74790	5JK74790	OPERATION PANEL:NA	1	
⊙	1	305JK74860	5JK74860	OPERATION PANEL:EU		1
	2	305JK74480	5JK74480	KEYTOP:SHIFT	1	1
	3	305JK74500	5JK74500	KEY:SHIFT	1	1
	4	305JK72730	5JK72730	KEY - APPLICATION	1	1
	5	305JK74800	5JK74800	SHEET:PANEL:NA	1	1
	5	305JK74510	5JK74510	SHEET:PANEL:EU:PER-MF2	1	1
	6	305JK74460	5JK74460	COVER:OPERATION PANEL	1	1
	7	305JK72750	5JK72750	KEYTOP - 10KEY	1	1
	8	305JK72720	5JK72720	KEYT - 10KEY	1	1
	9	305JK72770	5JK72770	KEYTOP - APPLICATION	1	1
	10	305JK72760	5JK72760	KEYTOP - START/STOP	1	1
	11	305JK72740	5JK72740	KEY - START/STOP	1	1
	12	305HM11491	5HM11491	BINDING SELF-TAPPING SCREW:3X10	13	13
	13	305JK72780	5JK72780	GROUND PLATE:OPERATION SUB-UNIT:RIGHT	1	1
⊙	14	305JK74530	5JK74530	PCB:OPU	1	1
	15	305JK74490	5JK74490	KEY:MENU	1	1
	16	305JK74470	5JK74470	KEYTOP:MENU	1	1

- Parts with "*" are component parts or sub-assemblies of the assembly appearing immediately above them.
- Parts with "⊙" indicates the spare parts.

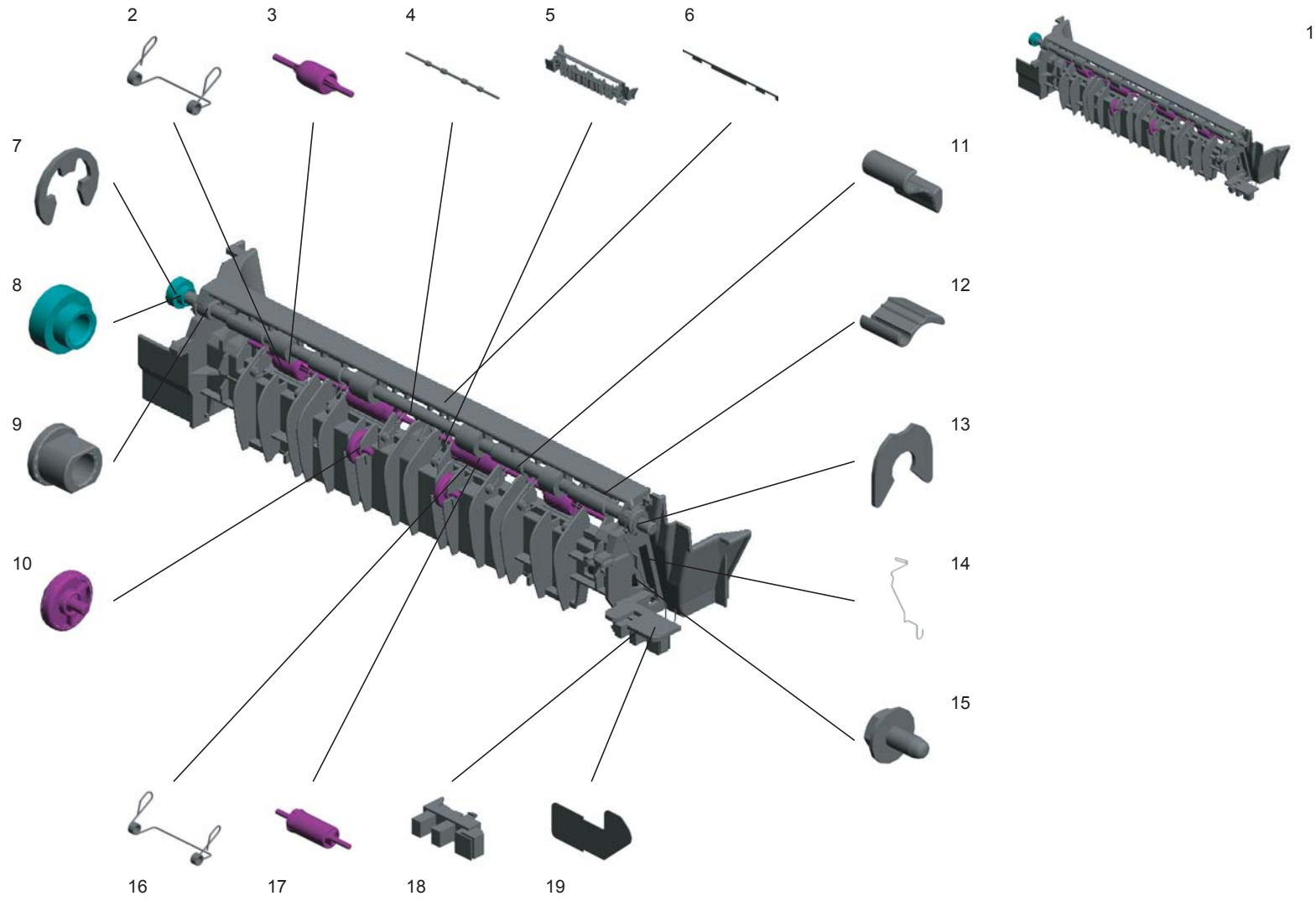
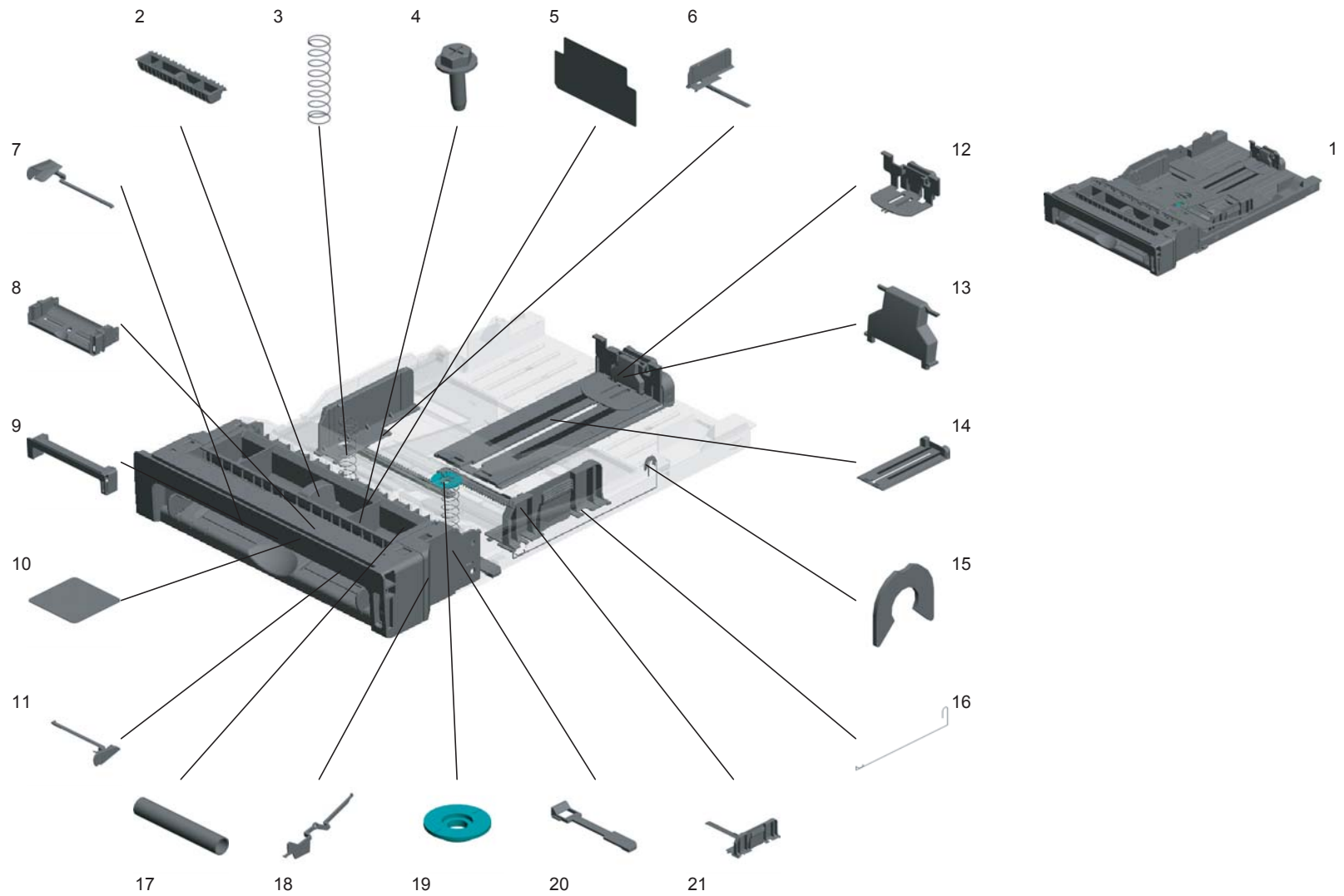


FIG. 10 Exit Section

SP	Ref. No.	Part.No.	Alternative.	Description	Quantity	
					120	230
⊙	1	305JK74850	5JK74850	EXIT GUIDE ASSY	1	1
	2	305JK74620	5JK74620	SPRING:PRESSURE:EXIT:OUTER	2	2
	3	305JK74610	5JK74610	ROLLER:DRIVEN:EXIT:OUTER	2	2
	4	305JK74350	5JK74350	EXIT ROLLER	1	1
	5	305JK71820	5JK71820	LOWER EXIT GUIDE	1	1
	6	305JK73930	5JK73930	DISCHARGE BRUSH EXIT	1	1
	7	54930350	54930350	RETAINING RING - M4	1	1
	8	305JK74130	5JK74130	GEAR:EXIT ROLLER	1	1
	9	305JK73920	5JK73920	BUSHING:DIA6:DIA10:9	2	2
	10	305JK71830	5JK71830	GUIDE ROLLER - EXIT	2	2
	11	305JK71870	5JK71870	EXIT GUIDE PLATE	2	2
	12	305JK74630	5JK74630	GUIDE:PLATE:EXIT:OUTER	2	2
	13	305JH74060	5JH74060	RETAINING RING - M4	2	2
	14	305JK71850	5JK71850	GROUND WIRE	1	1
	15	305H775540	5H775540	TAPPING SCREW - M3X6	2	2
	16	305JK74600	5JK74600	SPRING:PRESSURE:EXIT:INNER	2	2
	17	305JK71840	5JK71840	DRIVEN ROLLER - EXIT	2	2
⊙	18	305JH71560	5JH71560	PHOTOINTERRUPTOR:LG248NL1	1	1
	19	305JK71860	5JK71860	STOPPER - PHOTOINTERRUPTOR	1	1

- Parts with "*" are component parts or sub-assemblies of the assembly appearing immediately above them.
- Parts with "⊙" indicates the spare parts.



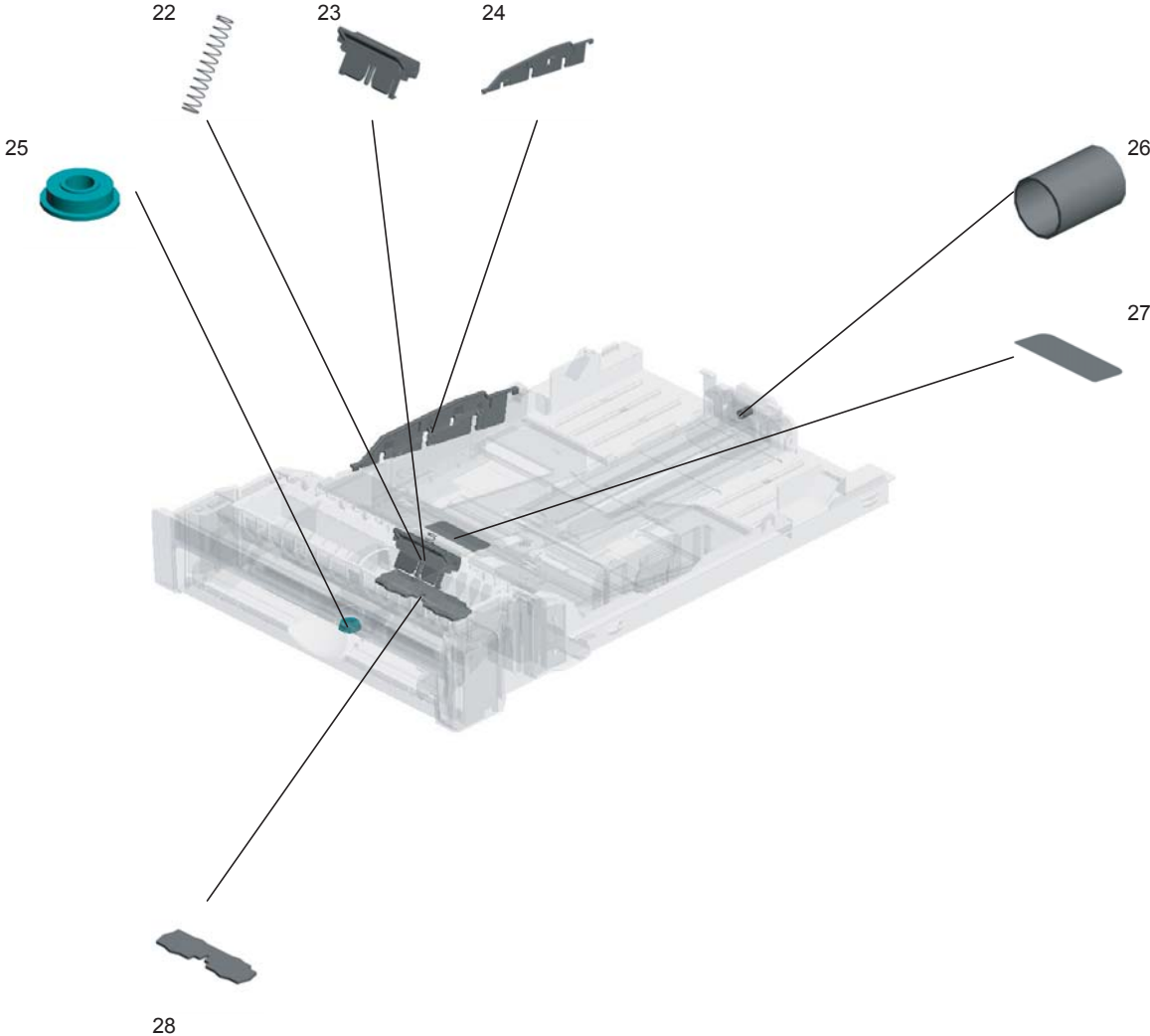
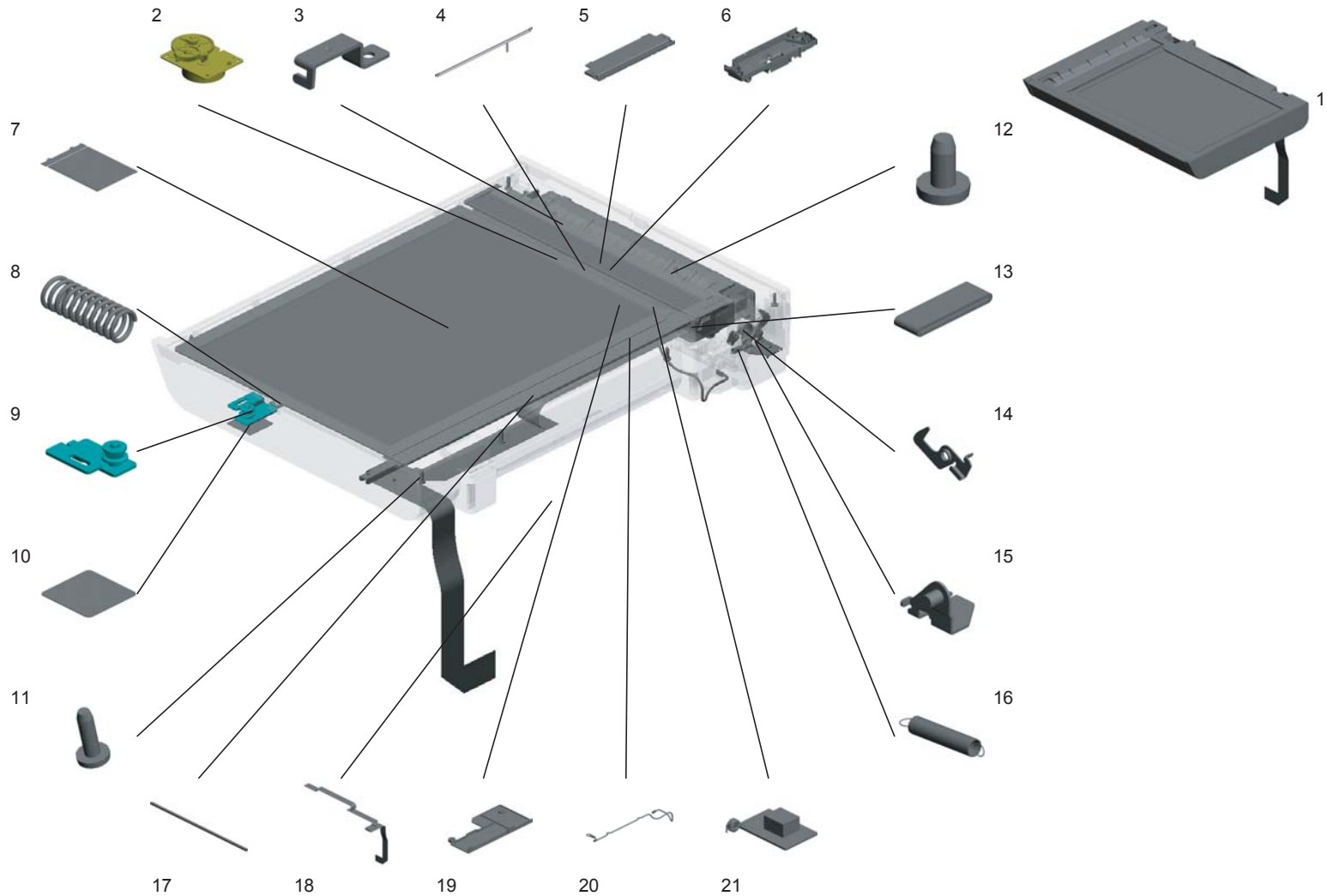


FIG. 11 Paper Feed Section

SP	Ref. No.	Part.No.	Alternative.	Description	Quantity	
					120	230
⊙	1	305JK74560	5JK74560	PAPER TRAY	1	1
	2	305JK70910	5JK70910	DUPLEX GUIDE	1	1
	3	305JK71010	5JK71010	COMPRESSION SPRING	2	2
	4	305H772000	5H772000	TAPPING SCREW - M3X10	1	1
	5	305JK71040	5JK71040	HOLDER SHEET	1	1
	6	305JK70920	5JK70920	LEFT SIDE FENCE	1	1
	7	305JK70960	5JK70960	LEFT SIDE FENCE - MANUAL FEED	1	1
	8	305JK70890	5JK70890	PAPER TRAY - FRONT	1	1
⊙	9	305JK70900	5JK70900	CASSETTE COVER	1	1
	10	305JK71020	5JK71020	SHEET - CASSETTE	1	1
	11	305JK70970	5JK70970	RIGHT SIDE FENCE - MANUAL FEED	1	1
	12	305JK70950	5JK70950	END FENCE	1	1
	13	305JK71050	5JK71050	END FENCE - PRESSURE	1	1
	14	305JK70940	5JK70940	EXTENSION TRAY	1	1
	15	53106430	53106430	RETAINING RING - M6	1	1
	16	305JK71030	5JK71030	EARTH SPRING	1	1
	17	305JK70990	5JK70990	COMPRESSION SPRING	1	1
	18	305JK71000	5JK71000	LEVER PAPER VOLUME SENSOR	1	1
⊙	19	305JK70110	5JK70110	GEAR - 16Z	1	1
	20	305JK70980	5JK70980	BOTTOM PLATE STOPPER	1	1
	21	305JK70930	5JK70930	RIGHT SIDE FENCE	1	1
	22	305JK71190	5JK71190	COMPRESSION SPRING	1	1
⊙	23	305JK71200	5JK71200	FRCTION PAD	1	1
	24	305JK74580	5JK74580	COVER:BASE	1	1
	25	305JH77280	5JH77280	SIDE FENCE GEAR	1	1
	26	305JK71060	5JK71060	COMPRESSION SPRING	1	1
	27	305JK74870	5JK74870	SHEET:BASE	1	1
	28	305JK71130	5JK71130	DAMPING INSULATION	1	1
	29	305JK71070	5JK71070	SHAFT - PAPER FEED ROLLER	1	1
⊙	30	305JK70160	5JK70160	PAPER FEED ROLLER	1	1
⊙	31	305JK74390	5JK74390	MAGNETIC CLUTCH	1	1
	32	5HM40130	5HM40130	BUSHING - 6X10X6	2	2
	33	305JH74060	5JH74060	RETAINING RING - M4	3	3
	34	305JK74570	5JK74570	BASE:ADHESION	1	1
⊙	35	38407410	38407410	BOTTOM PLATE PAD	1	1

- Parts with "*" are component parts or sub-assemblies of the assembly appearing immediately above them.
- Parts with "⊙" indicates the spare parts.



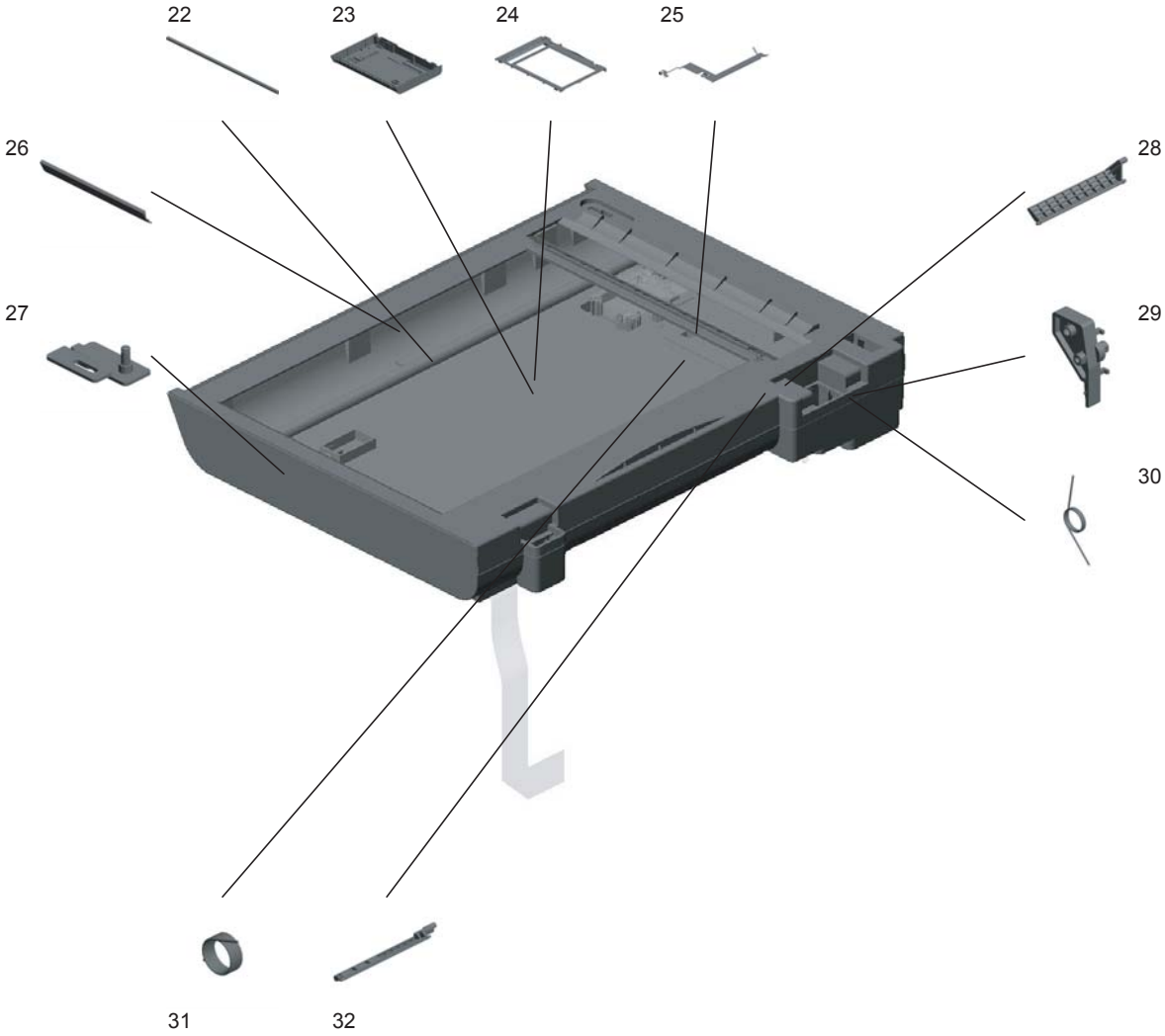
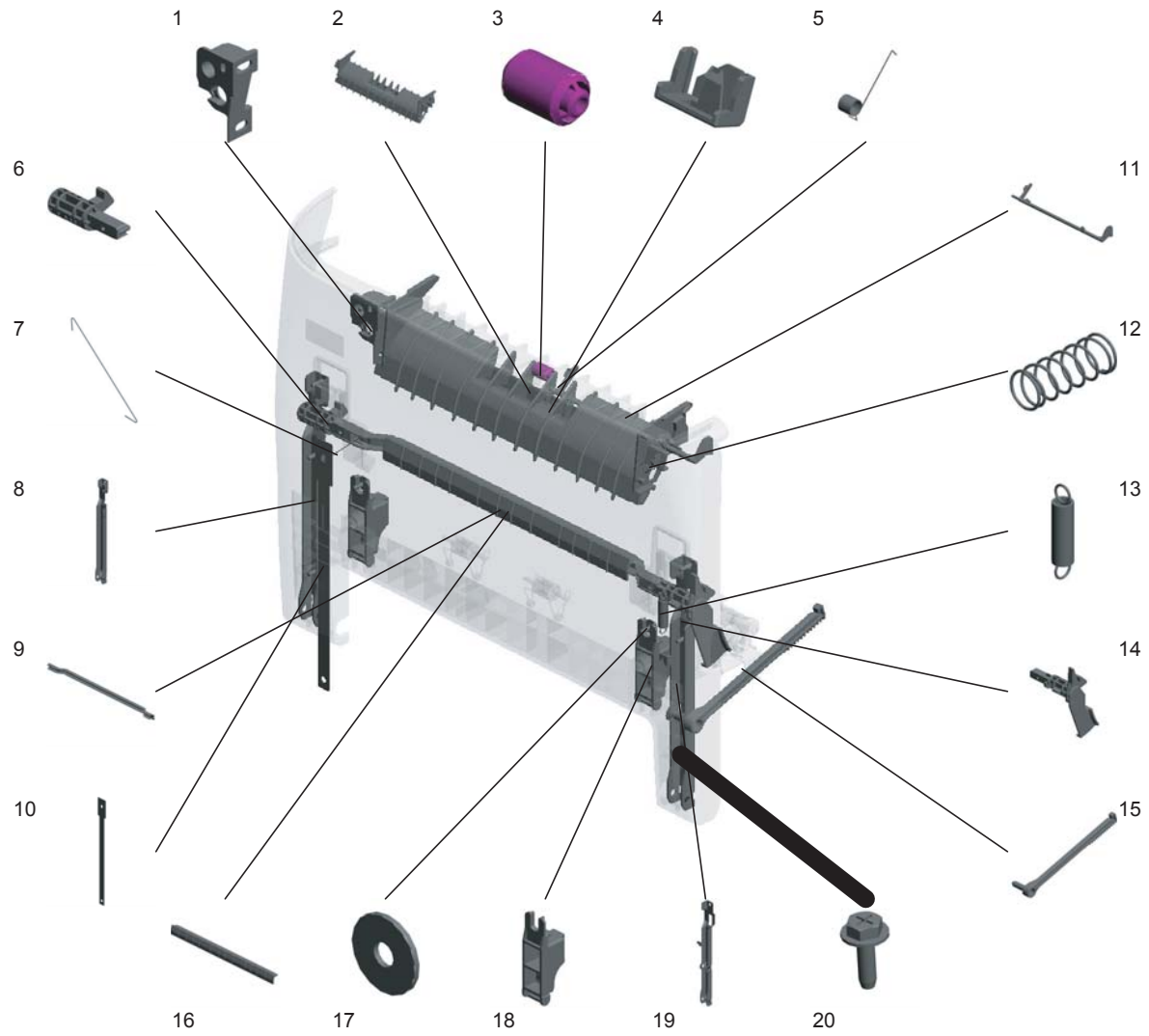


FIG. 12 Scanner Section

SP	Ref. No.	Part.No.	Alternative.	Description	Quantity	
					120	230
⊙	1	305JK74540	5JK74540	SCANNER:ASS'Y	1	1
	2	305JK72920	5JK72920	PULLEY:CARRIAGE:ASS'Y	1	1
	3	305JK72890	5JK72890	PLATE:GUIDE ROD:SCANNER	1	1
⊙	4	305JK73010	5JK73010	FLUORESCENT TUBE:CARRIAGE	1	1
	5	305JK73000	5JK73000	COVER:CARRIAGE:UPPER	1	1
	6	305JK73020	5JK73020	CCD:MODULE	1	1
	7	305JK72960	5JK72960	CASE:SCANNER:UPPER	1	1
	8	305JK72950	5JK72950	COIL SPRING:PULLEY:CARRIAGE	1	1
	9	305JK72910	5JK72910	GEAR:SCANNER:ASS'Y	1	1
	10	305JK71020	5JK71020	SHEET - CASSETTE	1	1
	11	305HM11491	5HM11491	BINDING SELF-TAPPING SCREW:3X10	10	10
	12	305JH70410	5JH70410	BINDING SELF-TAPPING SCREW:3X6	2	2
	13	305JK72970	5JK72970	CORE:EMI:CARRIAGE	1	1
⊙	14	305JK73040	5JK73040	HOOK:PLATEN	1	1
	15	305JK72990	5JK72990	BRACKET:HOOK:PLATEN:PEEN	1	1
	16	305JK73050	5JK73050	TENSION SPRING:HOOK:PLATEN	1	1
	17	305JK72900	5JK72900	SLIDE RAIL:CARRIAGE	1	1
	18	305JK72930	5JK72930	FLAT CABLE:CARRIAGE	1	1
	19	305JK73030	5JK73030	COVER:INVERTOR	1	1
	20	305JK72940	5JK72940	WIRE:GROUND WIRE:PLATE:MOTOR	1	1
	21	305JK72980	5JK72980	INVERTOR:CARRIAGE	1	1
	22	305JK73150	5JK73150	GUIDE ROD:SCANNER	1	1
	23	305JK73130	5JK73130	CASE:SCANNER:LOWER	1	1
	24	305JK73120	5JK73120	CASE:SCANNER:UPPER	1	1
	25	305JK73170	5JK73170	GROUND PLATE:SCANNER:LEFT	1	1
	26	305JK74550	5JK74550	COVER:SCANNER:FRONT:2	1	1
	27	305JK73160	5JK73160	PLATE:STUD:IDLER	1	1
	28	305JK73060	5JK73060	LEVER:HOOK:PLATEN	1	1
	29	305JK73080	5JK73080	LEVER:LOCK:COVER:UPPER	1	1
	30	305JK73090	5JK73090	TORSION SPRING:LEVER:LOCK:COVER:UPPER	1	1
	31	305JK73110	5JK73110	TORSION SPRING:LOCK:COVER:UPPER	1	1
	32	305JK73100	5JK73100	PLATE:COVER:UPPER	1	1

- Parts with "*" are component parts or sub-assemblies of the assembly appearing immediately above them.
- Parts with "⊙" indicates the spare parts.



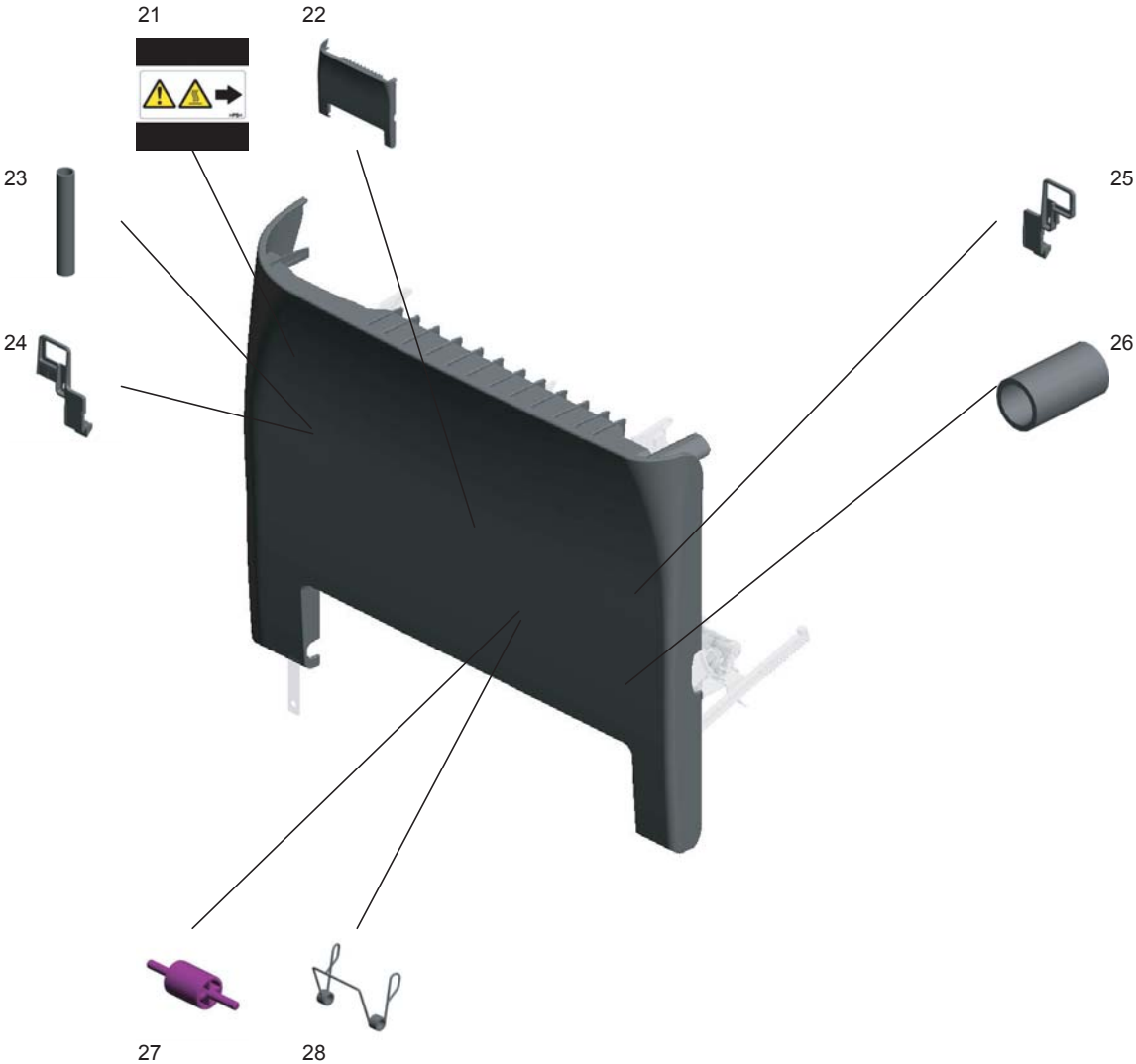
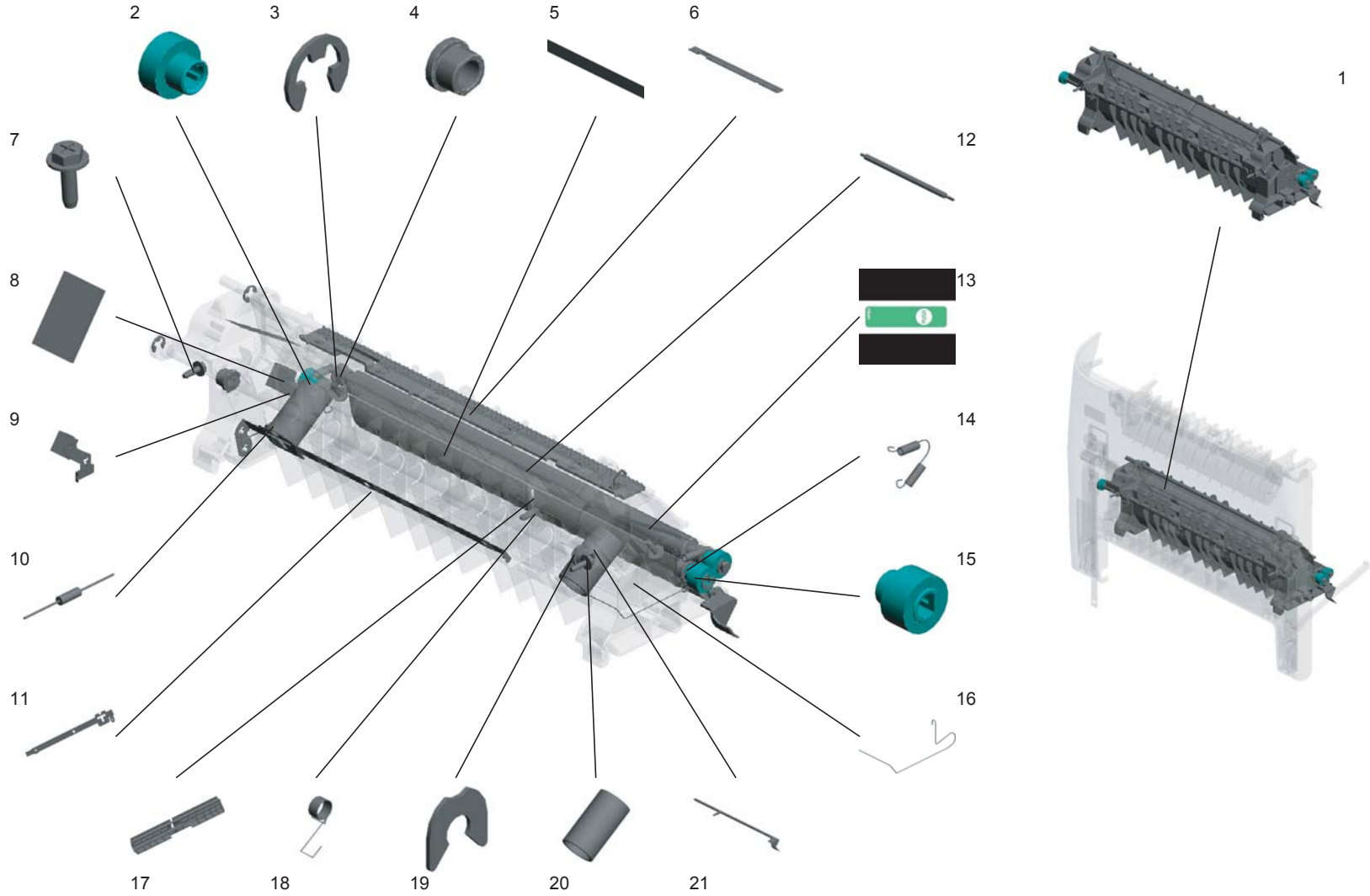


FIG. 13 Paper Conveying Section1

5JK

SP	Ref. No.	Part.No.	Alternative.	Description	Quantity	
					120	230
	1	305JK71420	5JK71420	GUIDE PLATE HOLDER	1	1
	2	305JK71440	5JK71440	EXIT GUIDE PLATE - MIDDLE	1	1
	3	305JK71470	5JK71470	EXIT GUIDE ROLLER - MIDDLE	1	1
	4	305JK71500	5JK71500	STOPPER:FEELER:PAPER FEED SENSOR	1	1
	5	305JK71460	5JK71460	TORSION SPRING - FEELER	1	1
	6	305JK71370	5JK71370	LEFT LOCK LEVER	1	1
	7	305JK71410	5JK71410	GROUND WIRE	1	1
	8	305JK71350	5JK71350	LEFT FRAME - FRONT COVER	1	1
	9	305JK71390	5JK71390	LOCK LEVER ARM	1	1
	10	305JK71480	5JK71480	STOPER BAND	1	1
	11	305JK71450	5JK71450	FEELER - PAPER FEED SENSOR	1	1
	12	305JK71430	5JK71430	GUIDE PLATE SPRING - MIDDLE	2	2
	13	305JK71400	5JK71400	TENSION SPRING	1	1
	14	305JK71360	5JK71360	RIGHT LOCK LEVER	1	1
	15	305JK71490	5JK71490	BRAKE RACK - FRONT COVER	1	1
	16	305JK71380	5JK71380	LOCK GUIDE	1	1
	17	305JK71510	5JK71510	WASHER - 0.8X10.8MM	2	2
	18	305JK71530	5JK71530	COMPRESSION SPRING HOLDER	2	2
	19	305JK71340	5JK71340	RIGHT FRAME - FRONT COVER	1	1
	20	305H772000	5H772000	TAPPING SCREW - M3X10	13	13
	21	305JK71880	5JK71880	DECAL:HIGHTEMPERATURE	1	1
⊙	22	305JK73810	5JK73810	FRONT COVER	1	1
	23	305JK71590	5JK71590	COMPRESSION SPRING - GRIP	2	2
	24	305JK71570	5JK71570	LEFT HOOK	1	1
	25	305JK71580	5JK71580	RIGHT FHOOK	1	1
	26	305JK71600	5JK71600	COMPRESSION SPRING - UPPER	2	2
	27	305JK71890	5JK71890	DUPLEX ROLLER	2	2
	28	305JK71900	5JK71900	PRESSURE SPRING - DUPLEX ROLLER	2	2

- Parts with "*" are component parts or sub-assemblies of the assembly appearing immediately above them.
- Parts with "⊙" indicates the spare parts.



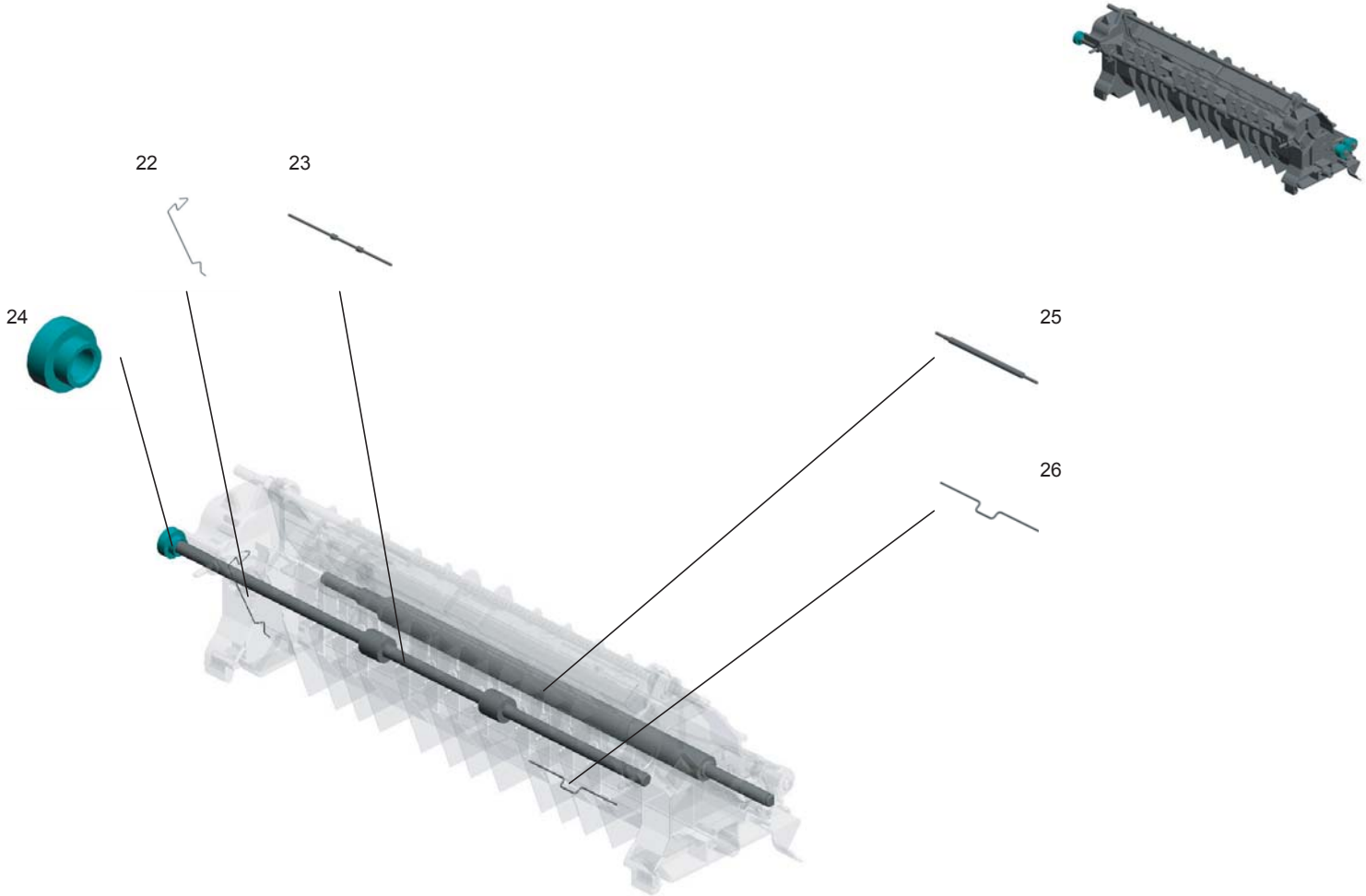


FIG. 14 Paper Conveying Section2

5JK

SP	Ref. No.	Part.No.	Alternative.	Description	Quantity	
					120	230
	1	305JK74590	5JK74590	HOUSING:TRANSPORT SUB-UNIT:ASS'Y	1	1
	2	305JK71310	5JK71310	GEAR - 14Z	2	2
	3	54930350	54930350	RETAINING RING - M4	7	7
	4	305JK71250	5JK71250	BUSHING - 6MM	6	6
	5	305JK71290	5JK71290	GUIDE SHEET - REGISTRATION	2	2
	6	305JK70230	5JK70230	GUIDE:EXIT:TRANSFER/SEPARATION:M	1	1
	7	305H772000	5H772000	TAPPING SCREW - M3X10	4	4
	8	305JK71610	5JK71610	SPACER:GROUND PLATE:TRANSPORT	1	1
	9	305JK71560	5JK71560	ELECTRODE PLATE - CONTACT POINT	1	1
	10	305JK71620	5JK71620	RESISTOR - 100M OHM +-10% 0.5W	1	1
	11	305JK71550	5JK71550	ELECTRODE PLATE - LINK	1	1
	12	305JK71240	5JK71240	REGISTRATION ROLLER - DRIVEN	1	1
	13	305JK71630	5JK71630	GRIP DECAL	2	2
	14	305JK71260	5JK71260	TENSION SPRING	2	2
	15	305JK71330	5JK71330	DRIVE GEAR - 14Z	1	1
	16	305JK71540	5JK71540	GROUND WIRE	1	1
	17	305JK71300	5JK71300	REGISTRATION GUIDE	1	1
	18	305JK71280	5JK71280	TORSION SPRING	1	1
	19	305JH74060	5JH74060	RETAINING RING - M4	2	2
	20	305JK71520	5JK71520	COMPRESSION SPRING	2	2
	21	305JK71270	5JK71270	REGISTRATION SENSOR FEELER	1	1
	22	305JK71680	5JK71680	GROUND WIRE- DUPLEX	1	1
	23	305JK74340	5JK74340	TRANSPORT ROLLER:DUPLEX	1	1
	24	305JK74130	5JK74130	GEAR:EXIT ROLLER	1	1
	25	305JK74330	5JK74330	REGISTRATION ROLLER - DRIVE	1	1
	26	305JK71670	5JK71670	GROUND WIRE:TRANSFER/SEPARATION	1	1

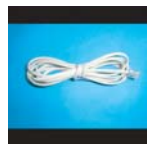
• Parts with "*" are component parts or sub-assemblies of the assembly appearing immediately above them.

• Parts with "⊙" indicates the spare parts.

1



2



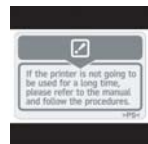
3



4



5



6



7



8



9



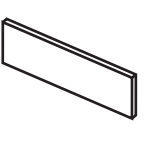
10



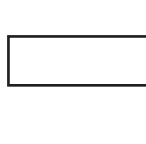
11



12



13



14



15



16



17



FIG. 15 Accessories

5JK

SP	Ref. No.	Part.No.	Alternative.	Description	Quantity	
					120	230
	1	305JK74750	5JK74750	POWER SUPPLY CORD - 125V 15A	1	
	1	305JK71920	5JK71920	POWER SUPPLY CORD -250V 10A E		1
	2	305JK74780	5JK74780	TELEPHONE CABLE	1	
	3	305JK72790	5JK72790	SHEET:PANEL:ADDRESS	1	1
	4	305JK70860	5JK70860	CAUTION DECAL - TRANSFER BELT	1	1
	5	305JK70870	5JK70870	DECAL:CAUTION:PRESSURE RELEASE	1	1
	6	305JK71140	5JK71140	SIDE FENCE DECAL	1	1
	7	305JK71660	5JK71660	DECAL:INSERT SUB-UNIT:COVER	1	1
	8	305JK72710	5JK72710	DECAL:CAUTION:WEIGHT:G183/G184	1	1
	9	305JK73190	5JK73190	DECAL:CAUTION:COPY:NA	1	1
	10	305JK73210	5JK73210	DECAL:CAUTION:SET:ORIGINAL:NA	1	1
	11	305JK75310	5JK75310	DECAL:HIGH TEMPERATURE:110 CENTI DEGREE	1	1
	12	305JK70750	5JK70750	LOGO PLATE - KYM	1	1
	13	305JK74710	5JK74710	DECAL:NAME PLATE:MF2C:EXP	1	1
	14	305JK73200	5JK73200	DECAL:CAUTION:COPY - MULTI-LA		1
	15	305JK73220	5JK73220	DECAL:CAUTION:SET:ORIGINAL -		1
	16	305JK74520	5JK74520	SHEET:PANEL:EU_LANGUAGES		1
	17	305JK71150	5JK71150	CAUTIONDECAL - INKJET PAPER		1

- Parts with "*" are component parts or sub-assemblies of the assembly appearing immediately above them.
- Parts with "⊙" indicates the spare parts.

INDEX

5JK

SP	Part.No.	Alternative.	Description	Fig.No.
⊙	38407410	38407410	BOTTOM PLATE PAD	11
	53106430	53106430	E RING SILENCER CIRCLE6	11
	53107240	53107240	CT CONNECTOR-2P	2,7
	53107280	53107280	CT CONECTOR:PANEL MOUNT MODEL:JUNCTION H	2
	54530450	54530450	RETAINING RING-M3	8
	54930220	54930220	E MODEL STOP RING 6	8
	54930350	54930350	E END RING 4	4,5,8,10,14
	3038407031	38407031	TAPPING SCREW - M3X8	8
	3053106041	53106041	SCREW - M3X4	7
	3053106051	53106051	PHILIPS PAN HEAD SCREW - M3X6	7
	305H772000	5H772000	TAPPING SCREW - M3X10	2,4,5,7,8,11,13,14
	305H772040	5H772040	TAPPING SCREW M4X10	3,8
	305H772160	5H772160	TAPPING SCREW 3X8	2,3,8
	305H773290	5H773290	BIND SCREW - M3X3	7
	305H775540	5H775540	TAPPING SCREW - M3X6	2,7,8,10
	305HM11491	5HM11491	TAPPING SCREW - M3X10	9,12
	305HM11721	5HM11721	SCREW - M3X6	2,7,8
	305JH70200	5JH70200	RIVET:MM5	8
	305JH70410	5JH70410	BINDING SELF-TAPPING SCREW:3X6	12
⊙	305JH71560	5JH71560	PHOTOINTERRUPTOR:LG248NL1	2,10
	305JH74060	5JH74060	RETAINING RING - M4	7,10,11,14,
	305JH77280	5JH77280	SIDE FENCE GEAR	11
⊙	305JK70110	5JK70110	GEAR - 16Z	11
	305JK70130	5JK70130	SHOULDER SCREW - M3	4
	305JK70140	5JK70140	SCREW- M4X6	2
	305JK70150	5JK70150	SCREW:M4:EXTERIOR	4
⊙	305JK70160	5JK70160	PAPER FEED ROLLER	11
⊙	305JK70170	5JK70170	TEMPERATURE & HUMIDITY SENSOR	2
⊙	305JK70180	5JK70180	FAN:AXIAL:MM80:25MM	2
	305JK70190	5JK70190	STEPPED SCREW - M5	8
	305JK70200	5JK70200	SPRING WASHER	4
	305JK70210	5JK70210	STOPPER:PHOTOINTERRUPTOR	2
	305JK70220	5JK70220	BRACKET - PHOTOINTERRUPTOR	2
	305JK70230	5JK70230	GUIDE:EXIT:TRANSFER/SEPARATION:M	14
	305JK70240	5JK70240	SEAL:FAN:2	2
	305JK70250	5JK70250	CLUTCH/BRAKE BRAKET	8
	305JK70260	5JK70260	COLOR DECAL - MAGENTA	8
	305JK70270	5JK70270	SPACER:RUBBER FOOT	8
	305JK70280	5JK70280	RUBBER FOOT:MACHINE OR COPIER:MM10	8
	305JK70290	5JK70290	EXIT DUCT	2
	305JK70300	5JK70300	DUCT	2
	305JK70310	5JK70310	BASE:HINGE:COVER:FRONT	8
	305JK70320	5JK70320	PIN:HINGE	8
	305JK70330	5JK70330	CLUTCH/BRAKE SPRING	8
	305JK70340	5JK70340	CLUTCH SPRING	8
	305JK70350	5JK70350	CLUTCH/BRAKE CASE	8
	305JK70360	5JK70360	GEAR - 14Z	8
	305JK70370	5JK70370	FUSING DUCT	8
	305JK70380	5JK70380	RACK SUPPORTER	8

SP	Part.No.	Alternative.	Description	Fig.No.
	305JK70390	5JK70390	FRAME:UPPER LEFT	8
	305JK70400	5JK70400	FRAME:UPPER RIGHT	8
	305JK70410	5JK70410	SPRING:PLATE:AIO	8
	305JK70420	5JK70420	SHAFT	8
	305JK70430	5JK70430	COMPRESSION SPRING	8
	305JK70440	5JK70440	TWIST SPRING - LEFT	8
	305JK70450	5JK70450	GROUNDING PLATE - HIGH VOLTAGE	8
	305JK70460	5JK70460	SPRING:PLATE:AIO:BLACK	8
	305JK70470	5JK70470	SPRING PLATE:LSU:POSITIONING	8
	305JK70480	5JK70480	BRACKET:OPTICAL UNIT:FRAME:UPPER	8
	305JK70490	5JK70490	SPRING:CUSHION:FRAME:UPPER	8
	305JK70500	5JK70500	UPPER FRONT DUCT	8
	305JK70510	5JK70510	PIN:PLATE:DEVELOPMENT UNIT	8
	305JK70520	5JK70520	GROUND PLATE - DCHIP	8
	305JK70530	5JK70530	GROUND PLATE - POWER SUPPLY UNIT	8
	305JK70540	5JK70540	GEAR - 20Z	8
	305JK70550	5JK70550	SHEET:BASE:FRAME	8
	305JK70560	5JK70560	GROUND PLATE - FRONT	8
	305JK70570	5JK70570	GROUND PLATE - LEFT	8
	305JK70580	5JK70580	SHIELDING PLATE	7
	305JK70590	5JK70590	HARNESS GUIDE	2
	305JK70600	5JK70600	FRAME - TRANSFER DRIVE UNIT	7
	305JK70610	5JK70610	GEAR COVER	8
	305JK70620	5JK70620	GROUNDING WIRE	7
	305JK70630	5JK70630	MOTOR BRACKET	7
	305JK70640	5JK70640	FRAME - ON-OFF DRIVE UNIT	7
	305JK70650	5JK70650	SHIELDING PLATE	7
⊙	305JK70660	5JK70660	DC MOTOR:ON-OFF:ASSY	7
⊙	305JK70670	5JK70670	MOTOR - DC24V 1.6W	7
	305JK70680	5JK70680	FRAME - TRANSPORT DRIVE UNIT	7
	305JK70690	5JK70690	MOTOR BRACKET	7
	305JK70700	5JK70700	GROUNDING PLATE	7
	305JK70710	5JK70710	FRAME - DUPLEX DRIVE UNIT	7
	305JK70720	5JK70720	MEMORY COVER	3
⊙	305JK70730	5JK70730	INNER COVER - EXIT	3
	305JK70740	5JK70740	CASSETTE COVER	3
	305JK70750	5JK70750	LOGO PLATE - KYM	15
	305JK70760	5JK70760	CUSHION - IMAGING UNIT	8
	305JK70770	5JK70770	BASE - EXIT END FENCE	8
	305JK70780	5JK70780	REAR END FENCE - EXIT	8
	305JK70790	5JK70790	FRONT END FENCE - EXIT	8
	305JK70800	5JK70800	SHEET:FRAME:RIGHT	8
	305JK70810	5JK70810	COVER:RIGHT:EU	3
	305JK70820	5JK70820	COVER:LEFT:EU	3
	305JK70830	5JK70830	KEY:FUSING	8
	305JK70840	5JK70840	BRACKET:BRAKE:COVER:UPPER	8
	305JK70850	5JK70850	DECAL - HIGH VOLTAGE	8
	305JK70860	5JK70860	CAUTION DECAL - TRANSFER BELT	15
	305JK70870	5JK70870	DECAL:CAUTION:PRESSURE RELEASE	15
⊙	305JK70880	5JK70880	IMAGING UNIT:ASSY	6

• Parts with "⊙" indicates the spare parts.

SP	Part.No.	Alternative.	Description	Fig.No.	SP	Part.No.	Alternative.	Description	Fig.No.
⊙	305JK70890	5JK70890	PAPER TRAY - FRONT	11		305JK71390	5JK71390	LOCK LEVER ARM	13
	305JK70900	5JK70900	CASSETTE COVER	11		305JK71400	5JK71400	TENSION SPRING	13
	305JK70910	5JK70910	DUPLEX GUIDE	11		305JK71410	5JK71410	GROUND WIRE	13
	305JK70920	5JK70920	LEFT SIDE FENCE	11		305JK71420	5JK71420	GUIDE PLATE HOLDER	13
	305JK70930	5JK70930	RIGHT SIDE FENCE	11		305JK71430	5JK71430	GUIDE PLATE SPRING - MIDDLE	13
	305JK70940	5JK70940	EXTENSION TRAY	11		305JK71440	5JK71440	EXIT GUIDE PLATE - MIDDLE	13
	305JK70950	5JK70950	END FENCE	11		305JK71450	5JK71450	FEELER - PAPER FEED SENSOR	13
	305JK70960	5JK70960	LEFT SIDE FENCE - MANUAL FEED	11		305JK71460	5JK71460	TORSION SPRING - FEELER	13
	305JK70970	5JK70970	RIGHT SIDE FENCE - MANUAL FEED	11		305JK71470	5JK71470	EXIT GUIDE ROLLER - MIDDLE	13
	305JK70980	5JK70980	BOTTOM PLATE STOPPER	11		305JK71480	5JK71480	STOPER BAND	13
	305JK70990	5JK70990	COMPRESSION SPRING	11		305JK71490	5JK71490	BRAKE RACK - FRONT COVER	13
	305JK71000	5JK71000	LEVER PAPER VOLUME SENSOR	11		305JK71500	5JK71500	STOPPER:FEELER:PAPER FEED SENSOR	13
	305JK71010	5JK71010	COMPRESSION SPRING	11		305JK71510	5JK71510	WASHER - 0.8X10.8MM	13
	305JK71020	5JK71020	SHEET - CASSETTE	11		305JK71520	5JK71520	COMPRESSION SPRING	14
	305JK71030	5JK71030	EARTH SPRING	11		305JK71530	5JK71530	COMPRESSION SPRING HOLDER	13
	305JK71040	5JK71040	HOLDER SHEET	11		305JK71540	5JK71540	GROUND WIRE	14
	305JK71050	5JK71050	END FENCE - PRESSURE	11		305JK71550	5JK71550	ELECTRODE PLATE - LINK	14
	305JK71060	5JK71060	COMPRESSION SPRING	11		305JK71560	5JK71560	ELECTRODE PLATE - CONTACT POINT	14
	305JK71070	5JK71070	SHAFT - PAPER FEED ROLLER	11		305JK71570	5JK71570	LEFT HOOK	13
	305JK71080	5JK71080	GROUNDING SPRING	8		305JK71580	5JK71580	RIGHT FHOOK	13
	305JK71090	5JK71090	SPRING PLATE:PAPER TRAY:POSITIONING	8		305JK71590	5JK71590	COMPRESSION SPRING - GRIP	13
	305JK71100	5JK71100	FEELER - PAPER END SENSOR	8		305JK71600	5JK71600	COMPRESSION SPRING - UPPER	13
	305JK71110	5JK71110	FEELER HOLDER	8		305JK71610	5JK71610	SPACER:GROUND PLATE:TRANSPORT	14
	305JK71120	5JK71120	HOLDER:PAPER TRAY:POSITIONING	8		305JK71620	5JK71620	RESISTOR - 100M OHM +-10% 0.5W	14
	305JK71130	5JK71130	DAMPING INSULATION	11		305JK71630	5JK71630	GRIP DECAL	14
	305JK71140	5JK71140	SIDE FENCE DECAL	15		305JK71640	5JK71640	RESISTOR - 100M OHM +-10% 0.5W	8
	305JK71150	5JK71150	DECAL:CAUTION:INKJET:EXP	15		305JK71650	5JK71650	RESISTOR - 50M OHM +-10% 0.5W	8
	305JK71160	5JK71160	HOLDER:RESISTOR:BASE	8		305JK71660	5JK71660	DECAL:INSERT SUB-UNIT:COVER	15
	305JK71170	5JK71170	SPRING PLATE:RESISTOR:BASE:LOWER	8		305JK71670	5JK71670	GROUND WIRE:TRANSFER/SEPARATION	14
	305JK71180	5JK71180	SPRING PLATE:RESISTOR:BASE:UPPER	8		305JK71680	5JK71680	GROUND WIRE- DUPLEX	14
	305JK71190	5JK71190	COMPRESSION SPRING	11	⊙	305JK71690	5JK71690	FUSING UNIT:EU:ASS'Y	4
	305JK71200	5JK71200	FRCTION PAD	11		305JK71700	5JK71700	REAR COVER - FUSING UNIT	4
	305JK71210	5JK71210	DECAL - BLACK	8		305JK71710	5JK71710	FRONT COVER - FUSING UNIT	4
	305JK71220	5JK71220	COLOR DECAL -CYAN	8		305JK71720	5JK71720	FUSING ENTRANCE GUIDE - UPPER	4
	305JK71230	5JK71230	DECAL - YELLOW	8		305JK71730	5JK71730	FUSING ENTRANCE GUIDE - LOWER	4
	305JK71240	5JK71240	REGISTRATION ROLLER - DRIVEN	14		305JK71740	5JK71740	GUIDE PLATE - FUSING EXIT	4
	305JK71250	5JK71250	BUSHING - 6MM	14		305JK71750	5JK71750	STRIPPER PLATE	4
	305JK71260	5JK71260	TENSION SPRING	14		305JK71760	5JK71760	RIGHT COLLAR- STRIPPER PLATE	4
	305JK71270	5JK71270	REGISTRATION SENSOR FEELER	14		305JK71770	5JK71770	LEFT COLLAR- STRIPPER PLATE	4
	305JK71280	5JK71280	TORSION SPRING	14		305JK71780	5JK71780	LEFT POSITIONING PLATE- STRIPPER	4
	305JK71290	5JK71290	GUIDE SHEET - REGISTRATION	14		305JK71790	5JK71790	RIGHT POSITIONING PLATE - STRIPPER	4
	305JK71300	5JK71300	REGISTRATION GUIDE	14		305JK71800	5JK71800	TORSION SPRING - STRIPPER PLATE	4
	305JK71310	5JK71310	GEAR - 14Z	14		305JK71810	5JK71810	DECAL - HIGH TEMPERATURE	4
	305JK71320	5JK71320	GROUND PLATE:REGISTRATION ROLLER	8		305JK71820	5JK71820	LOWER EXIT GUIDE	10
	305JK71330	5JK71330	DRIVE GEAR - 14Z	14		305JK71830	5JK71830	GUIDE ROLLER - EXIT	10
	305JK71340	5JK71340	RIGHT FRAME - FRONT COVER	13		305JK71840	5JK71840	DRIVEN ROLLER - EXIT	10
	305JK71350	5JK71350	LEFT FRAME - FRONT COVER	13		305JK71850	5JK71850	GROUND WIRE	10
	305JK71360	5JK71360	RIGHT LOCK LEVER	13		305JK71860	5JK71860	STOPPER - PHOTOINTERRUPTOR	10
	305JK71370	5JK71370	LEFT LOCK LEVER	13		305JK71870	5JK71870	EXIT GUIDE PLATE	10
	305JK71380	5JK71380	LOCK GUIDE	13		305JK71880	5JK71880	DECAL:HIGHTTEMPERATURE	13

• Parts with "⊙" indicates the spare parts.

SP	Part.No.	Alternative.	Description	Fig.No.	SP	Part.No.	Alternative.	Description	Fig.No.
	305JK71890	5JK71890	DUPLEX ROLLER	13		305JK72470	5JK72470	SLIDE RAIL:RIGHT	8
	305JK71900	5JK71900	PRESSURE SPRING - DUPLEX ROLLER	13		305JK72480	5JK72480	HINGE - TORQUE LIMITER	8
⊙	305JK71910	5JK71910	TERMINAL BOARD	2		305JK72490	5JK72490	SEPARATION PLATE - SLIDE	8
	305JK71920	5JK71920	POWER SUPPLY CORD -250V 10A EU	15		305JK72500	5JK72500	TORSION SPRING - SEPARATION PLATE	8
	305JK71930	5JK71930	BRACKET - POWER SUPPLY UNIT	2		305JK72510	5JK72510	LEFT SLIDE STOPPER - SCANNER	8
	305JK71940	5JK71940	HARNNESS COVER - POWER SUPPLY UNIT	2		305JK72520	5JK72520	TORSION SPRING- SLIDE STOPPER	8
	305JK71950	5JK71950	GROUND PLATE:SHAFT:IMAGING UNIT	8		305JK72530	5JK72530	STOPPER PLATE - SCANNER	8
	305JK71960	5JK71960	2NDTERMINAL- TRANSFER	2		305JK72540	5JK72540	RIGHT SLIDE STOPPER - SCANNER	8
	305JK71980	5JK71980	MEMORY COVER	2		305JK72550	5JK72550	COMPRESSION SPRING - STOPPER	8
	305JK71990	5JK71990	BRACKET - MAIN SWITCH	2		305JK72560	5JK72560	UPPER SUPPORTING PLATE - COVER	8
	305JK72000	5JK72000	TERMINAL:AIO	2		305JK72570	5JK72570	RIGHT ACTUATOR - STOPPER	8
	305JK72010	5JK72010	HARNNESS CLAMP HOLDER	8		305JK72580	5JK72580	WIRE - SCANNER LOCK	8
	305JK72020	5JK72020	HARNNESS COVER	2		305JK72590	5JK72590	PLATE:SHAFT	8
	305JK72030	5JK72030	CUSHION - HARNNESS	2		305JK72600	5JK72600	ARM - LOCK LEVER	8
	305JK72050	5JK72050	BRACKET SAFETY SWITCH	2		305JK72610	5JK72610	BRACKET - ARM	8
	305JK72060	5JK72060	LINK - SAFETY SWITCH	2		305JK72620	5JK72620	TENSION SPRING -LOCK ARM	8
	305JK72070	5JK72070	TORSION SPRING - SAFETY SWITCH	2		305JK72630	5JK72630	GROUND PLATE:SUPPORTING PLATE:LEFT	8
	305JK72080	5JK72080	TENSION SPRING - SAFETY SWITCH	2		305JK72640	5JK72640	GROUND PLATE:SUPPORTING PLATE:RIGHT	8
	305JK72090	5JK72090	COMPRESSION SPRING - SAFETY SWITCH	2		305JK72650	5JK72650	UPPER COVER	8
	305JK72100	5JK72100	1ST TERMINAL - TRANSFER	2		305JK72660	5JK72660	RIGHT HARNNESS COVER -SCANNER	8
	305JK72110	5JK72110	HARNNESS COVER	7		305JK72670	5JK72670	LEFT HARNNESS COVER - SCANNER	8
	305JK72120	5JK72120	ARM - SAFETY SWITCH	2		305JK72680	5JK72680	COVER - PAPER EXIT	3
	305JK72130	5JK72130	LEVER - SAFETY SWITCH	2		305JK72690	5JK72690	COVER - INTERFACE	3
	305JK72140	5JK72140	CONNECTOR HOLDER - FUSING	2		305JK72700	5JK72700	REAR COVER - EU	3
	305JK72150	5JK72150	RESISTORHOLDER - EXIT	8		305JK72710	5JK72710	DECAL:CAUTION:WEIGHT:G183/G184	15
	305JK72160	5JK72160	GROUND PLATE -INPUT	8		305JK72720	5JK72720	KEYT - 10KEY	9
	305JK72170	5JK72170	GROUND PLATE - OUTPUT	8		305JK72730	5JK72730	KEY - APPLICATION	9
⊙	305JK72180	5JK72180	GROUND PLATE - FUSING	2		305JK72740	5JK72740	KEY - START/STOP	9
	305JK72190	5JK72190	DENSITY SENSOR:ASSY	2		305JK72750	5JK72750	KEYTOP - 10KEY	9
	305JK72200	5JK72200	BUSHING - 19MM	5		305JK72760	5JK72760	KEYTOP - START/STOP	9
	305JK72210	5JK72210	SPRING - FEELER	2		305JK72770	5JK72770	KEYTOP - APPLICATION	9
	305JK72220	5JK72220	SENSOR FEELER	2		305JK72780	5JK72780	GROUND PLATE:OPERATION SUB-UNIT:RIGHT	9
	305JK72230	5JK72230	COMPRESSION SPRING	5		305JK72790	5JK72790	SHEET:PANEL:ADDRESS	15
	305JK72240	5JK72240	SENSOR HOLDER	2	⊙	305JK72800	5JK72800	ADF:ASS'Y	1
	305JK72250	5JK72250	GROUNDING PLATE	2		305JK72810	5JK72810	FRAME:ADF	1
	305JK72320	5JK72320	CLEANER DECAL - DENSITY SENSOR	2		305JK72820	5JK72820	COVER:FRONT:ADF	1
	305JK72330	5JK72330	LEFT HOLDER - TRANSFER BELT UNIT	5		305JK72830	5JK72830	COVER:REAR:ADF	1
	305JK72340	5JK72340	RIGHT HOLDER - TRANSFER BELT UNIT	5		305JK72840	5JK72840	BASE:SLIDER	1
	305JK72350	5JK72350	RIGHT SLIDER - TRANSFER BELT UNIT	5		305JK72850	5JK72850	SIDE FENCE:RIGHT	1
	305JK72360	5JK72360	LEFT SLIDER - TRANSFER BELT UNIT	5		305JK72860	5JK72860	SIDE FENCE:LEFT	1
	305JK72370	5JK72370	STOPPER SHEET - PHOTOINTERRUPTOR	2		305JK72870	5JK72870	EXTENSION TRAY:ADF	1
⊙	305JK72380	5JK72380	USED TONER SENSOR	2		305JK72880	5JK72880	PAPER STOPPER:ADF	1
	305JK72390	5JK72390	FEELER - SET SENSOR	2		305JK72890	5JK72890	PLATE:GUIDE ROD:SCANNER	12
	305JK72400	5JK72400	SENSOR BRACKET	2		305JK72900	5JK72900	SLIDE RAIL:CARRIAGE	12
	305JK72410	5JK72410	SPRING PLATE-COLLECTION BOTTLE	8		305JK72910	5JK72910	GEAR:SCANNER:ASS'Y	12
	305JK72420	5JK72420	LEFT SLIDE ARM	8		305JK72920	5JK72920	PULLEY:CARRIAGE:ASS'Y	12
	305JK72430	5JK72430	RIGHT SLIDE ARM	8		305JK72930	5JK72930	FLAT CABLE:CARRIAGE	12
	305JK72440	5JK72440	LEFT TORSION SPRING - ARM	8		305JK72940	5JK72940	WIRE:GROUND WIRE:PLATE:MOTOR	12
	305JK72450	5JK72450	RIGHT TORSION SPRING - ARM	8		305JK72950	5JK72950	COIL SPRING:PULLEY:CARRIAGE	12
	305JK72460	5JK72460	SLIDE RAIL:LEFT	8		305JK72960	5JK72960	CASE:SCANNER:UPPER	12

• Parts with "⊙" indicates the spare parts.

SP	Part.No.	Alternative.	Description	Fig.No.	SP	Part.No.	Alternative.	Description	Fig.No.
⊙	305JK72970	5JK72970	CORE:EMI:CARRIAGE	12		305JK73470	5JK73470	FEELER:SENSOR:FEED	1
	305JK72980	5JK72980	INVERTOR:CARRIAGE	12		305JK73480	5JK73480	ARM:PRESSURE RELEASE	1
	305JK72990	5JK72990	BRACKET:HOOK:PLATEN:PEEN	12		305JK73490	5JK73490	DRIVEN ROLLER:FEED	1
	305JK73000	5JK73000	COVER:CARRIAGE:UPPER	12		305JK73500	5JK73500	STAY:FEED	1
⊙	305JK73010	5JK73010	FLUORESCENT TUBE:CARRIAGE	12		305JK73510	5JK73510	GUIDE:FEED:DRIVEN	1
	305JK73020	5JK73020	CCD:MODULE	12		305JK73520	5JK73520	SHAFT:DRIVEN ROLLER:FEED	1
	305JK73030	5JK73030	COVER:INVERTOR	12		305JK73530	5JK73530	FIX STAND:SENSOR:FEED	1
	305JK73040	5JK73040	HOOK:PLATEN	12	⊙	305JK73540	5JK73540	PCB:DIP:FEED	1
	305JK73050	5JK73050	TENSION SPRING:HOOK:PLATEN	12		305JK73550	5JK73550	SHEET:FEELER:FEED	1
	305JK73060	5JK73060	LEVER:HOOK:PLATEN	12		305JK73560	5JK73560	PLATE:REAR	1
	305JK73070	5JK73070	HOOK:ADF	1		305JK73570	5JK73570	GEAR:FEED:44T	1
	305JK73080	5JK73080	LEVER:LOCK:COVER:UPPER	12		305JK73580	5JK73580	GEAR:EXIT:41T	1
	305JK73090	5JK73090	TORSION SPRING:LEVER:LOCK:COVER:UPPER	12		305JK73590	5JK73590	GEAR:20T39T	1
	305JK73100	5JK73100	PLATE:COVER:UPPER	12		305JK73600	5JK73600	GEAR:MIDDLE:32T	1
	305JK73110	5JK73110	TORSION SPRING:LOCK:COVER:UPPER	12		305JK73610	5JK73610	GEAR:21T37T	1
	305JK73120	5JK73120	CASE:SCANNER:UPPER	12		305JK73620	5JK73620	GEAR:51T	1
	305JK73130	5JK73130	CASE:SCANNER:LOWER	12		305JK73630	5JK73630	GEAR:DRIVE:39T55T	1
	305JK73140	5JK73140	ADF DECAL - PICK-UP PAPER JAM	1		305JK73640	5JK73640	PLATE:MOTOR	1
	305JK73150	5JK73150	GUIDE ROD:SCANNER	12		305JK73650	5JK73650	GEAR:DRIVE:40T56T	1
	305JK73160	5JK73160	PLATE:STUD:IDLER	12	⊙	305JK73660	5JK73660	PCB:DIP:ON OFF DETECTOR	1
	305JK73170	5JK73170	GROUND PLATE:SCANNER:LEFT	12		305JK73670	5JK73670	ROLLER:BACK UP:FEED	1
	305JK73180	5JK73180	LEFT GROUND PLATE - SCANNER	8		305JK73680	5JK73680	COIL SPRING:SHUTTER:PAPER	1
	305JK73190	5JK73190	DECAL:CAUTION:COPY:NA	15		305JK73690	5JK73690	SHUTTER:PAPER	1
	305JK73200	5JK73200	DECAL:CAUTION:COPY:EU	15	⊙	305JK73700	5JK73700	SEPARATION PAD:ADF	1
	305JK73210	5JK73210	DECAL:CAUTION:SET:ORIGINAL:NA	15		305JK73710	5JK73710	FRAME:UPPER	1
	305JK73220	5JK73220	DECAL:CAUTION:SET:ORIGINAL:EU	15		305JK73720	5JK73720	COIL SPRING:FEELER:SET SENSOR	1
	305JK73230	5JK73230	ARM:SENSOR	1		305JK73730	5JK73730	FEELER:SET SENSOR	1
	305JK73240	5JK73240	COIL SPRING:ARM:SENSOR	1		305JK73740	5JK73740	HOLDER:SEPARATION UNIT	1
	305JK73250	5JK73250	SHEET:ADF:KILO	1		305JK73750	5JK73750	SHEET:STOPPER:EXIT	1
	305JK73260	5JK73260	COIL SPRING:GEAR:SLIDE	1		305JK73760	5JK73760	DISCHARGE BRUSH:EXIT	1
	305JK73270	5JK73270	GEAR:SLIDE	1	⊙	305JK73770	5JK73770	SEPARATION UNIT:ADF	1
	305JK73280	5JK73280	CABLE:ADF	1		305JK73780	5JK73780	DC STEPPER MOTOR	1
	305JK73290	5JK73290	PADDLE:ROLLER:EXIT	1		305JK73790	5JK73790	HINGE:LEFT	1
	305JK73300	5JK73300	DRIVEN ROLLER:EXIT	1		305JK73800	5JK73800	HINGE:RIGHT	1
	305JK73310	5JK73310	SHAFT:DRIVEN ROLLER:EXIT	1	⊙	305JK73810	5JK73810	FRONT COVER	13
	305JK73320	5JK73320	COIL SPRING:EXIT	1		305JK73820	5JK73820	SPEAKER - DIA50	2
	305JK73330	5JK73330	COVER:EXIT	1	⊙	305JK73830	5JK73830	PCB:FAX:EU:ASS'Y	2
⊙	305JK73340	5JK73340	PCB:DIP:ADF	1		305JK73840	5JK73840	BRACKET - CONTROL BOARD	2
⊙	305JK73350	5JK73350	COVER:ADF	1		305JK73850	5JK73850	COVER:CONTROL BOARD:MF2C:ASS'Y	2
	305JK73360	5JK73360	SHEET:PRESSURE PLATE	1		305JK73860	5JK73860	STOPPER:MEMORY	2
	305JK73370	5JK73370	FLANGE:BUSHING:GEAR	1		305JK73870	5JK73870	BRACKET - INTERFACE	2
	305JK73380	5JK73380	FRAME:LOWER	1		305JK73880	5JK73880	CASE - CORE	2
⊙	305JK73390	5JK73390	PCB:DIP:SET SENSOR	1		305JK73890	5JK73890	BRACKET - SPEAKER	2
	305JK73400	5JK73400	COIL SPRING:PLATE	1		305JK73910	5JK73910	TIMING BELT - 60S2M280	7
	305JK73410	5JK73410	PLATE	1		305JK73920	5JK73920	BUSHING:DIA6:DIA10:9	10
	305JK73420	5JK73420	SHEET:GUIDE	1		305JK73930	5JK73930	DISCHARGE BRUSH EXIT	10
	305JK73430	5JK73430	FLANGE:BUSHING	1		305JK73940	5JK73940	SPACER - 0.13 X 12MM	7
⊙	305JK73440	5JK73440	FEED ROLLER:ADF	1		305JK73950	5JK73950	SPACER - 0.13 X 10MM	7
	305JK73450	5JK73450	EXIT ROLLER:ADF	1		305JK73960	5JK73960	SHAFT - 6 X 39.5MM	7
	305JK73460	5JK73460	COIL SPRING:FEED ROLLER:DRIVEN	1		305JK73970	5JK73970	SHAFT - 6 X 55.3MM	7

• Parts with "⊙" indicates the spare parts.

SP	Part.No.	Alternative.	Description	Fig.No.	SP	Part.No.	Alternative.	Description	Fig.No.
	305JK73980	5JK73980	SHAFT - 6 X 26.7MM	7		305JK74490	5JK74490	KEY:MENU	9
	305JK73990	5JK73990	SHAFT - 6 X 21.9MM	7		305JK74500	5JK74500	KEY:SHIFT	9
	305JK74000	5JK74000	GEAR:AIO:DRIVE:1	7		305JK74510	5JK74510	SHEET:PANEL:EU:PER-MF2	9
	305JK74010	5JK74010	GEAR - 37Z	7		305JK74520	5JK74520	SHEET:PANEL:EU_LANGUAGES	15
	305JK74020	5JK74020	GEAR - 19/38Z	7	⊙	305JK74530	5JK74530	PCB:OPU	9
	305JK74030	5JK74030	GEAR - 28/36Z	7	⊙	305JK74540	5JK74540	SCANNER:ASS'Y	12
	305JK74040	5JK74040	GEAR - 20/35Z	7	⊙	305JK74550	5JK74550	COVER:SCANNER:FRONT:2	12
	305JK74050	5JK74050	GEAR - 29Z	7		305JK74560	5JK74560	PAPER TRAY	11
	305JK74060	5JK74060	GEAR - 22/31Z	7		305JK74570	5JK74570	BASE:ADHESION	11
	305JK74070	5JK74070	GEAR - 21Z	7		305JK74580	5JK74580	COVER:BASE	11
	305JK74080	5JK74080	GEAR - 28Z	7		305JK74590	5JK74590	HOUSING:TRANSPORT SUB-UNIT:ASS'Y	14
	305JK74090	5JK74090	GEAR - 31Z	7		305JK74600	5JK74600	SPRING:PRESSURE:EXIT:INNER	10
	305JK74100	5JK74100	GEAR - 19Z	7		305JK74610	5JK74610	ROLLER:DRIVEN:EXIT:OUTER	10
	305JK74110	5JK74110	GEAR - 29Z	7		305JK74620	5JK74620	SPRING:PRESSURE:EXIT:OUTER	10
	305JK74120	5JK74120	REGIST DRIVE GEAR	7		305JK74630	5JK74630	GUIDE:PLATE:EXIT:OUTER	10
	305JK74130	5JK74130	GEAR:EXIT ROLLER	10,14	⊙	305JK74640	5JK74640	PCB:EGB-PMF2PIP:ASS'Y	2
	305JK74140	5JK74140	GEAR - 33Z	7	⊙	305JK74650	5JK74650	PCB:MAIN:ASS'Y	2
	305JK74150	5JK74150	GEAR - 54Z	7		305JK74680	5JK74680	SPACER:GROUND PLATE:FLAT CABLE:SCANNER	2
	305JK74160	5JK74160	IDLE GEAR - 20Z	4		305JK74690	5JK74690	SHEET:COVER:SHADEING PLATE:MEMORY	2
	305JK74170	5JK74170	GEAR - 35Z	7		305JK74700	5JK74700	SCREW	2
	305JK74180	5JK74180	GEAR - 21Z	7		305JK74710	5JK74710	DECAL:NAME PLATE:MF2C:EXP	15
	305JK74190	5JK74190	GEAR - 19Z	7	⊙	305JK74740	5JK74740	FUSING UNIT:NA:ASS'Y	4
	305JK74200	5JK74200	IDLE GEAR - 15/25Z	4		305JK74750	5JK74750	POWER SUPPLY CORD - 125V 15A	15
	305JK74210	5JK74210	GEAR - 22/99Z	7	⊙	305JK74770	5JK74770	PCB:FAX:NA:ASS'Y	2
	305JK74220	5JK74220	GEAR - 27/76Z	7		305JK74780	5JK74780	TELEPHONE CABLE	15
	305JK74230	5JK74230	GEAR - 21/45Z	7	⊙	305JK74790	5JK74790	OPERATION PANEL:NA	9
	305JK74240	5JK74240	GEAR - 24/57Z	7		305JK74800	5JK74800	SHEET:PANEL:NA	9
	305JK74250	5JK74250	GEAR - 16/42Z	7	⊙	305JK74810	5JK74810	STEPPER MOTOR - DC 14.8W	7
	305JK74260	5JK74260	GEAR - 22/99Z CYAN	7	⊙	305JK74820	5JK74820	PCB:PDL:ASS'Y	2
	305JK74270	5JK74270	GEAR - 16/51Z	7	⊙	305JK74830	5JK74830	FUSING LAMP - 120V 1000W	4
	305JK74280	5JK74280	GEAR - 21/73Z	7	⊙	305JK74840	5JK74840	POWER SUPPLY UNIT - 115V	2
	305JK74290	5JK74290	GEAR - 40/65Z	7	⊙	305JK74850	5JK74850	EXIT GUIDE ASS'Y	10
	305JK74300	5JK74300	GEAR - 17/42Z	7	⊙	305JK74860	5JK74860	OPERATION PANEL:EU	9
	305JK74310	5JK74310	GEAR:AIO:JOINT:2	7		305JK74870	5JK74870	SHEET:BASE	11
	305JK74320	5JK74320	PULLEY - 18T	7		305JK75310	5JK75310	DECAL:HIGH TEMPERATURE:110 CENTI DEGREE	15
	305JK74330	5JK74330	REGISTRATION ROLLER - DRIVE	14		305JK75320	5JK75320	SCREW:M3X10	3
	305JK74340	5JK74340	TRANSPORT ROLLER:DUPLEX	14		305JK75330	5JK75330	TAPPING SCREW:3X16	8
	305JK74350	5JK74350	EXIT ROLLER	10		305JK75340	5JK75340	BINDING SELF-TAPPING SCREW:4X10	3
⊙	305JK74360	5JK74360	BRUSHLESS MOTOR:DC24V:10W	7		305JK75350	5JK75350	SCREW - M3X8	2
⊙	305JK74370	5JK74370	BRUSHLESS MOTOR:DC24V:24W	7		305JK75370	5JK75370	MICRO SWITCH:D3V-16506-3C25	2
⊙	305JK74380	5JK74380	BRUSHLESS MOTOR:DC24V:40W	7		305JK75380	5JK75380	EEPROM:BR93L76-W	2
⊙	305JK74390	5JK74390	MAGNETIC CLUTCH	7,11		305JK75390	5JK75390	FERRITE CORE - ZCAT1518-0730	2
⊙	305JK74400	5JK74400	FUSING LAMP - 230V 1000W	4		305JK75400	5JK75400	FERRITE CORE:33.5X6.5X20	2
⊙	305JK74410	5JK74410	POWER SUPPLY UNIT - 230V	2		305JK75480	5JK75480	BASE:HIGH VOLTAGE:3	2
⊙	305JK74420	5JK74420	POWER PACK	2		305JK75490	5JK75490	SCREW:SMALL ROUND/SPRING:M3X10	4
⊙	305JK74430	5JK74430	INTERMEDIATE TRANSFER UNIT	5		5HM32240	5HM32240	EDGE SADDLE - LES-1010	2
	305JK74440	5JK74440	BRACKET:MOTOR:ASS'Y	7		5HM32560	5HM32560	HARNES CLAMP	2
	305JK74460	5JK74460	COVER:OPERATION PANEL	9		5HM40130	5HM40130	BUSHING - 6X10X6	7,11
	305JK74470	5JK74470	KEYTOP:MENU	9		5HM40460	5HM40460	CLAMP	2,7,8,
	305JK74480	5JK74480	KEYTOP:SHIFT	9		5HM70470	5HM70470	HARNES CLAMP - LWS-0711	2

• Parts with "⊙" indicates the spare parts.

PF-110

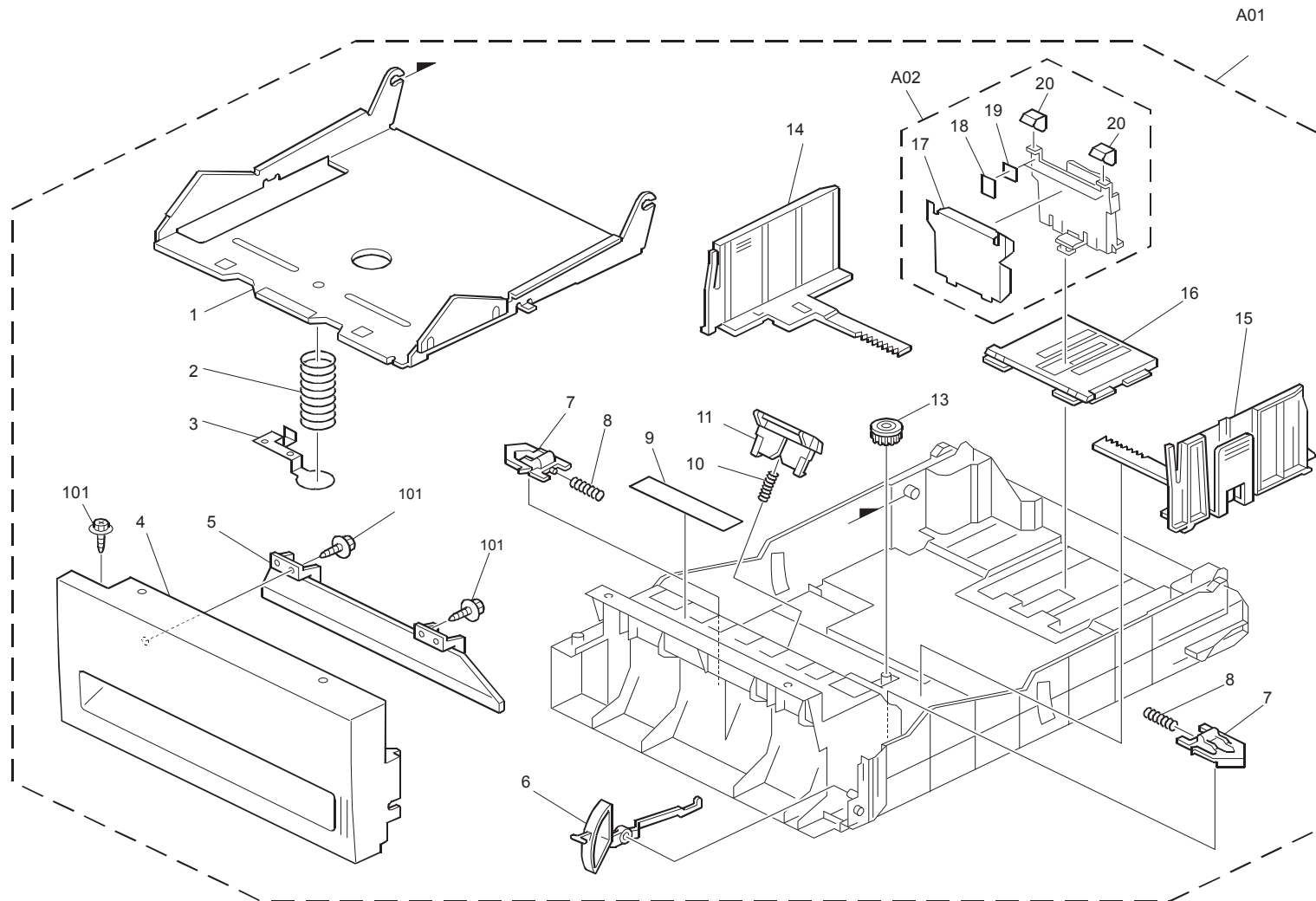


FIG. 1 Paper Tray

SP	Ref. No.	Part.No.	Alternative.	Description	Quantity	
					120	230
⊙	A01	305JK75070	5JK75070	PAPER TRAY UNIT	1	1
	1	*305JK75060	5JK75060	TRAY BOTTOM PLATE	1	1
	2	*305JK75130	5JK75130	COMPRESSION SPRING - PAPER FEED	1	1
	3	*305JK75210	5JK75210	GROUNDING PLATE	1	1
	4	*305JK75080	5JK75080	PAPER TRAY COVER	1	1
	5	*305JK75120	5JK75120	PLATE:	1	1
	6	*305JK75000	5JK75000	PAPER VOLUME INDICATOR	1	1
	7	*305JK75180	5JK75180	STOPPER - TRAY BOTTOM PLATE	2	2
	8	*305JK75460	5JK75460	COMPRESSION SPRING	2	2
	9	*305JK71150	5JK71150	DECAL:CAUTION:INKJET:EXP	1	1
	10	*305JK75290	5JK75290	COMPRESSION SPRING - SEPARATION	1	1
	11	*305JK75280	5JK75280	FRICTION PAD:ADHESION	1	1
	13	*305JH77280	5JH77280	SIDE FENCE GEAR	1	1
	14	*305JK75090	5JK75090	LEFT SIDE FENCE	1	1
	15	*305JK75100	5JK75100	RIGHT SIDE FENCE	1	1
	16	*305JK75110	5JK75110	PLATE - END FENCE	1	1
	A02	*305JK75010	5JK75010	END FENCE:ASS'Y	1	1
	17	**305JK75020	5JK75020	SEAL:PLATE:END FENCE:ASS'Y	1	1
	18	**305JK75030	5JK75030	SHEET:END FENCE:1	2	2
	19	**305JK75040	5JK75040	SHEET:END FENCE:2	2	2
20	**305JK75050	5JK75050	SEAL:END FENCE:UPPER	2	2	
101	*3038407031	38407031	TAPPING SCREW - M3X8			

- Parts with "*" are component parts or sub-assemblies of the assembly appearing immediately above them.
- Parts with "⊙" indicates the spare parts.

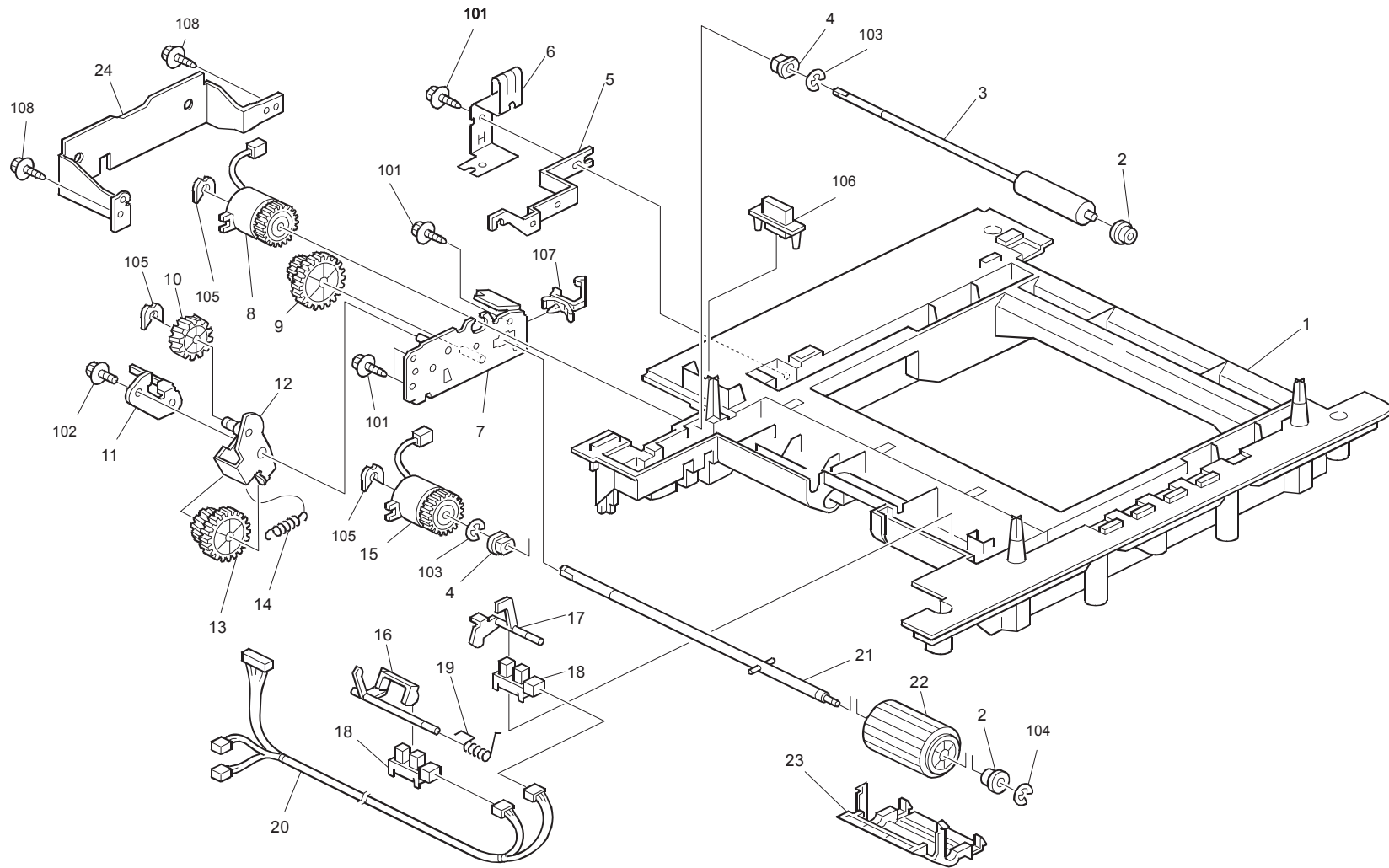


FIG. 2 Paper Feed Drive

5JK

SP	Ref. No.	Part.No.	Alternative.	Description	Quantity	
					120	230
	1	305JK75140	5JK75140	HOUSING - PAPER FEED UNIT	1	1
	2	305JK75420	5JK75420	BUSHING - M4	2	2
⊙	3	305JK75160	5JK75160	DRIVE ROLLER - MIDDLE	1	1
	4	5HM16060	5HM16060	BUSHING - M6	2	2
	5	305JK75230	5JK75230	GROUNDING PLATE - MIDDLE	1	1
	6	305JK75220	5JK75220	GROUNDING PLATE - UPPER	1	1
	7	305JK74970	5JK74970	GEAR BRACKET	1	1
⊙	8	305JK75440	5JK75440	MAGNETIC CLUTCH - TRANSPORT ROLLER	1	1
	9	305JK74960	5JK74960	GEAR - 38/20Z	1	1
	10	305JK74920	5JK74920	GEAR - 29Z	1	1
	11	305JK74980	5JK74980	GEAR HOLDER	1	1
	12	305JK74930	5JK74930	GEAR BRACKET	1	1
	13	305JK74950	5JK74950	GEAR - 20/37Z	1	1
	14	305JK74940	5JK74940	TENSION SPRING	1	1
⊙	15	305JK75450	5JK75450	MAGNETIC CLUTCH - PAPER FEED ROLLER	1	1
	16	305JK75190	5JK75190	FEELER - TRANSPORT SENSOR	1	1
	17	305JK75200	5JK75200	FEELER - PAPER END SENSOR	1	1
⊙	18	305H770220	5H770220	PHOTOINTERRUPTOR FLAT	2	2
	19	305JK74890	5JK74890	FEELER SPRING	1	1
	20	305JK75300	5JK75300	INTERFACE HARNESS	1	1
	21	305JK75150	5JK75150	SHAFT - PAPER FEED	1	1
⊙	22	305JK70160	5JK70160	PAPER FEED ROLLER	1	1
	23	305JK75170	5JK75170	COVER - PAPER FEED ROLLER	1	1
	24	305JK74990	5JK74990	GUARD:PLATE:PAPER FEED UNIT	1	1
	101	3038407031	38407031	TAPPING SCREW - M3X8		
	102	3038407051	38407051	TAPPING SCREW - M3X6		
	103	54930350	54930350	E END RING 4		
	104	54530450	54530450	RETAINING RING-M3		
	105	305JH74060	5JH74060	RETAINING RING - M4		
	106	305JK75360	5JK75360	CONNECTOR - 10R		
	107	5HM40260	5HM40260	HARNESS CLAMP - LWS-0306ZC		
	108	305H772000	5H772000	TAPPING SCREW - M3X10		

- Parts with "*" are component parts or sub-assemblies of the assembly appearing immediately above them.
- Parts with "⊙" indicates the spare parts.

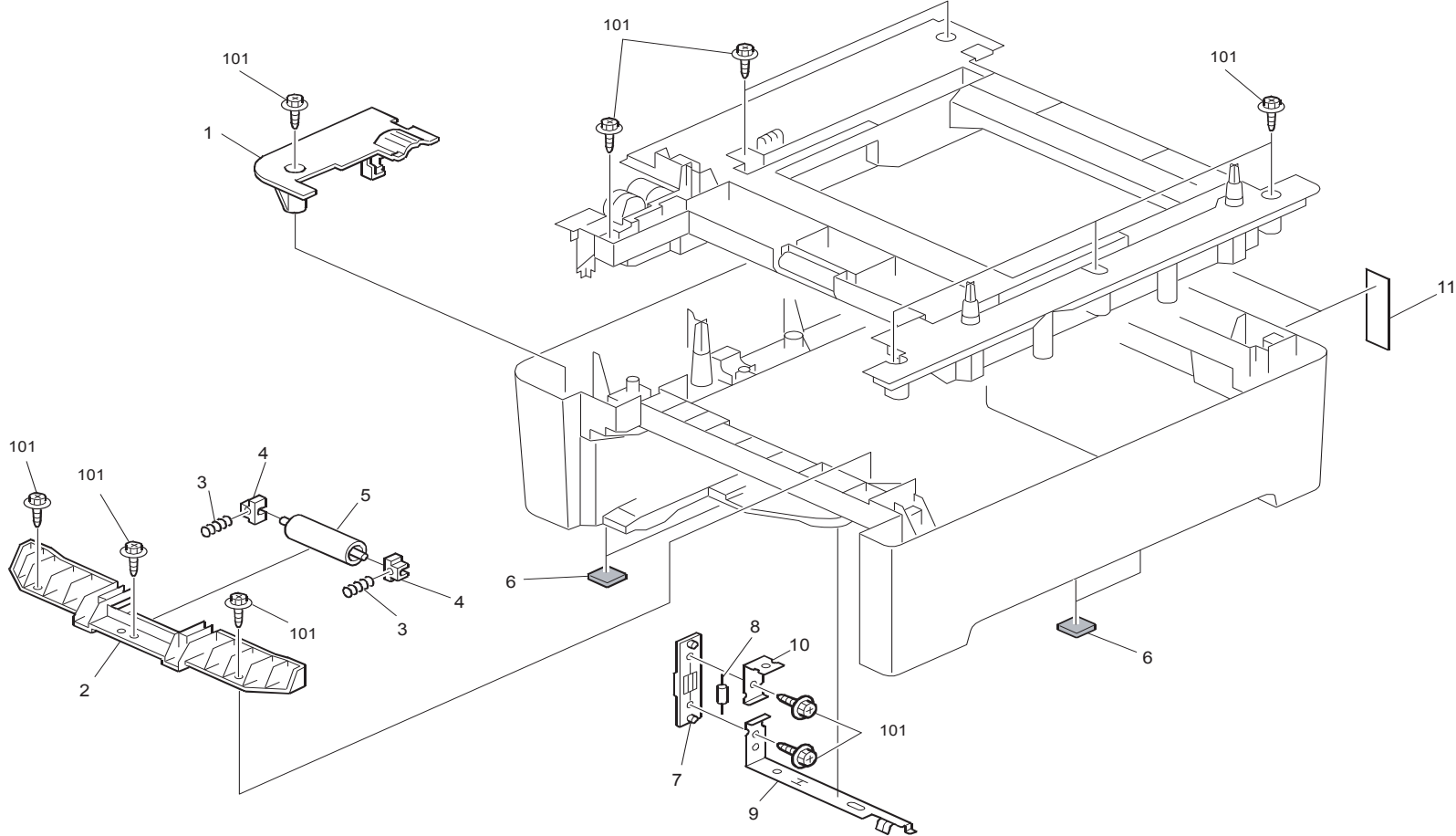


FIG. 3 Frame Section

5JK

SP	Ref. No.	Part.No.	Alternative.	Description	Quantity	
					120	230
	1	305JK74900	5JK74900	LEFT UPPER COVER	1	1
	2	305JK74910	5JK74910	GUIDE PLATE - TRANSPORT	1	1
	3	305JK74880	5JK74880	COMPRESSION SPRING 7N	2	2
	4	305JK75410	5JK75410	BUSHING - VERTICAL TRANSPORT	2	2
⊙	5	305JK75430	5JK75430	PULL OUT ROLLER - OPTION TRAY	1	1
	6	305JK75470	5JK75470	RUBBER FOOT:FRAME	4	4
	7	305JK75270	5JK75270	GROUNDING PLATE	1	1
	8	305JK71640	5JK71640	RESISTOR - 100M OHM +-10% 0.5W	1	1
	9	305JK75260	5JK75260	LOWER GROUNDING PLATE	1	1
	10	305JK75250	5JK75250	UPPER GROUNDING PLATE	1	1
	11	305JK75240	5JK75240	RAER SEAL	2	2
	101	3038407031	38407031	TAPPING SCREW - M3X8		

- Parts with "*" are component parts or sub-assemblies of the assembly appearing immediately above them.
- Parts with "⊙" indicates the spare parts.

INDEX

5JK

SP	Part.No.	Alternative.	Description	Fig.No.
	54530450	54530450	RETAINING RING-M3	2
	54930350	54930350	E END RING 4	2
	3038407031	38407031	TAPPING SCREW - M3X8	1,2,3
	3038407051	38407051	TAPPING SCREW - M3X6	2
⊙	305H770220	5H770220	PHOTOINTERRUPTOR FLAT	2
	305H772000	5H772000	TAPPING SCREW - M3X10	2
	305JH74060	5JH74060	RETAINING RING - M4	2
	305JH77280	5JH77280	SIDE FENCE GEAR	1
⊙	305JK70160	5JK70160	PAPER FEED ROLLER	2
	305JK71150	5JK71150	DECAL:CAUTION:INKJET:EXP	1
	305JK71640	5JK71640	RESISTOR - 100M OHM +-10% 0.5W	3
	305JK74880	5JK74880	COMPRESSION SPRING 7N	3
	305JK74890	5JK74890	FEELER SPRING	2
	305JK74900	5JK74900	LEFT UPPER COVER	3
	305JK74910	5JK74910	GUIDE PLATE - TRANSPORT	3
	305JK74920	5JK74920	GEAR - 29Z	2
	305JK74930	5JK74930	GEAR BRACKET	2
	305JK74940	5JK74940	TENSION SPRING	2
	305JK74950	5JK74950	GEAR - 20/37Z	2
	305JK74960	5JK74960	GEAR - 38/20Z	2
	305JK74970	5JK74970	GEAR BRACKET	2
	305JK74980	5JK74980	GEAR HOLDER	2
	305JK74990	5JK74990	GUARD:PLATE:PAPER FEED UNIT	2
	305JK75000	5JK75000	PAPER VOLUME INDICATOR	1
	305JK75010	5JK75010	END FENCE:ASS'Y	1
	305JK75020	5JK75020	SEAL:PLATE:END FENCE:ASS'Y	1
	305JK75030	5JK75030	SHEET:END FENCE:1	1
	305JK75040	5JK75040	SHEET:END FENCE:2	1
	305JK75050	5JK75050	SEAL:END FENCE:UPPER	1
	305JK75060	5JK75060	TRAY BOTTOM PLATE	1
⊙	305JK75070	5JK75070	PAPER TRAY UNIT	1
⊙	305JK75080	5JK75080	PAPER TRAY COVER	1
	305JK75090	5JK75090	LEFT SIDE FENCE	1
	305JK75100	5JK75100	RIGHT SIDE FENCE	1
	305JK75110	5JK75110	PLATE - END FENCE	1
	305JK75120	5JK75120	PLATE:	1
	305JK75130	5JK75130	COMPRESSION SPRING - PAPER FEED	1
	305JK75140	5JK75140	HOUSING - PAPER FEED UNIT	2
	305JK75150	5JK75150	SHAFT - PAPER FEED	2
⊙	305JK75160	5JK75160	DRIVE ROLLER - MIDDLE	2
	305JK75170	5JK75170	COVER - PAPER FEED ROLLER	2
	305JK75180	5JK75180	STOPPER - TRAY BOTTOM PLATE	1
	305JK75190	5JK75190	FEELER - TRANSPORT SENSOR	2
	305JK75200	5JK75200	FEELER - PAPER END SENSOR	2
	305JK75210	5JK75210	GROUNDING PLATE	1
	305JK75220	5JK75220	GROUNDING PLATE - UPPER	2
	305JK75230	5JK75230	GROUNDING PLATE - MIDDLE	2
	305JK75240	5JK75240	RAER SEAL	3
	305JK75250	5JK75250	UPPER GROUNDING PLATE	3
	305JK75260	5JK75260	LOWER GROUNDING PLATE	3

SP	Part.No.	Alternative.	Description	Fig.No.
	305JK75270	5JK75270	GROUNDING PLATE	3
⊙	305JK75280	5JK75280	FRICTION PAD:ADHESION	1
	305JK75290	5JK75290	COMPRESSION SPRING - SEPARATION	1
	305JK75300	5JK75300	INTERFACE HARNESS	2
	305JK75360	5JK75360	CONNECTOR - 10R	2
	305JK75410	5JK75410	BUSHING - VERTICAL TRANSPORT	3
	305JK75420	5JK75420	BUSHING - M4	2
⊙	305JK75430	5JK75430	PULL OUT ROLLER - OPTION TRAY	3
⊙	305JK75440	5JK75440	MAGNETIC CLUTCH - TRANSPORT ROLLER	2
⊙	305JK75450	5JK75450	MAGNETIC CLUTCH - PAPER FEED ROLLER	2
	305JK75460	5JK75460	COMPRESSION SPRING	1
	305JK75470	5JK75470	RUBBER FOOT:FRAME	3
	5HM16060	5HM16060	BUSHING - M6	2
	5HM40260	5HM40260	HARNESS CLAMP - LWS-0306ZC	2

• Parts with "⊙" indicates the spare parts.

KYOCERA MITA EUROPE B.V.

Hoeksteen 40, 2132 MS Hoofddorp,
The Netherlands
Phone: +31.(0)20.654.0000
Home page: <http://www.kyoceramita-europe.com>
Email: info@kyoceramita-europe.com

KYOCERA MITA NEDERLAND B.V.
Beechavenue 25, 1119RA SCHIPHOL-RIJK
The Netherlands
Phone: + 1-(0)20-5877200

KYOCERA MITA (UK) LTD.
8 Beacontree Plaza
Gillette Way, Reading Berks RG2 0BS,
UK
Phone: +44.(0)118.931.1500

KYOCERA MITA ITALIA S.P.A.
Via Verdi 89 / 91 20063 Cernusco sul Naviglio,
(Milano), Italy
Phone: +39.02.92179.1

S.A. KYOCERA MITA BELGIUM N.V.
Hermesstraat 8A 1930 Zaventem,
Belgium
Phone: +32.(0)2.720.9270

KYOCERA MITA FRANCE S.A.
Parc Les Algorithmes, Saint Aubin
91194 GIF-SUR-YVETTE,
France
Phone: +33.(0)1.6985.2600

KYOCERA MITA ESPAÑA S.A.
Edificio Kyocera, Avda de Manacor N. 2,
Urb. Parque Rozas 28290 Las Rozas, Madrid,
Spain
Phone: +34.(0)91.631.8392

KYOCERA MITA FINLAND OY
Kirvesmiehenkatu 4 00810 Helsinki,
Finland
Phone: +358.(0)9.4780.5200

KYOCERA MITA (SCHWEIZ) AG
Industriestrasse 28, 8604 Volketswil,
Switzerland
Phone: +41.(0)1.908.4949

KYOCERA MITA DEUTSCHLAND GMBH
Mollsfeld 12-40670 Meerbusch,
Germany
Phone: +49.(0)2159.918.0

KYOCERA MITA GMBH AUSTRIA
Eduard-Kittenberger Gasse 95
A-1230 Wien,
Austria
Phone: +43.(0)1.86338.401

KYOCERA MITA SVENSKA AB
Vretenragen 2, 6tr 171 54 Solna,
Sweden
Phone: +46.(0)8.546.550.00

KYOCERA MITA NORGE
Postboks 150 Oppsal, NO 0619 Oslo
Olaf Helsettsvei 6, NO 0694 Oslo,
Norway
Phone: +47.(0)22.62.73.00

KYOCERA MITA DANMARK A/S
Slotsmarken 11, 2 DK-2970 Hørsholm,
Denmark
Phone: +45.7022.3880

KYOCERA MITA PORTUGAL LDA.
Rua do Centro Cultural, no 41 1700-106 Lisbon,
Portugal
Phone: +351.(0)21.843.6780

KYOCERA MITA SOUTH AFRICA (PTY) LTD.
527 Kyalami Boulevard,
Kyalami Business Park Midrand,
South Africa
Phone: +27.(0)11.540.2600

KYOCERA MITA AMERICA, INC.

Headquarters:
225 Sand Road,
Fairfield, New Jersey 07004-0008,
U.S.A.
Phone: (973) 808-8444

KYOCERA MITA AUSTRALIA PTY. LTD.
Level 3, 6-10 Talavera Road, North Ryde,
N.S.W. 2113 Australia
Phone: (02) 9888-9999

KYOCERA MITA NEW ZEALAND LTD.
1-3 Parkhead Place, Albany
P.O. Box 302 125 NHPC, Auckland,
New Zealand
Phone: (09) 415-4517

KYOCERA MITA (THAILAND) CORP., LTD.
9/209 Ratchada-Prachachem Road,
Bang Sue, Bangkok 10800, Thailand
Phone: (02) 586-0320

KYOCERA MITA SINGAPORE PTE LTD.
121 Genting Lane, 3rd Level,
Singapore 349572
Phone: 67418733

KYOCERA MITA HONG KONG LIMITED
11/F., Mita Centre,
552-566, Castle Peak Road,
Tsuen Wan, New Territories,
Hong Kong
Phone: 24297422

KYOCERA MITA TAIWAN Corporation.
7F-1~2, No.41, Lane 221, Gangchi Rd.
Neihu District, Taipei, Taiwan, 114. R.O.C.
Phone: (02) 87511560

KYOCERA MITA Corporation

2-28, 1-chome, Tamatsukuri, Chuo-ku
Osaka 540-8585, Japan
Phone: (06) 6764-3555
<http://www.kyoceramita.com>

© 2009 KYOCERA MITA Corporation

 is a trademark of Kyocera Corporation

Printed in Holland