



FS-C8020MFP
FS-C8025MFP
TASKalfa 205c
TASKalfa 255c
PARTS LIST

Published in December 2010

2K0PL070

842K0120

First Edition

— CONTENTS —

FIG. 1	Covers	2	FIG. 11	Image Formation Section	22
FIG. 2	Frames 1	4	FIG. 12	Transfer Section	24
FIG. 3	Frames 2	6	FIG. 13	Fuser Section	26
FIG. 4	Paper Cassette	8	FIG. 14	Drive Section	28
FIG. 5	Paper Feed Section 1	10	FIG. 15	Electrical Components	30
FIG. 6	Paper Feed Section 2	12	FIG. 16	Operation Section	32
FIG. 7	Paper Conveying Section	14	FIG. 17	Document Processor 1	34
FIG. 8	Scanner Section	16	FIG. 18	Document Processor 2	36
FIG. 9	Laser Scanner Section	18	FIG. 19	Document Processor 3	38
FIG. 10	Developing Section	20	FIG. 20	Maintenance Kits	40
			• INDEX		41

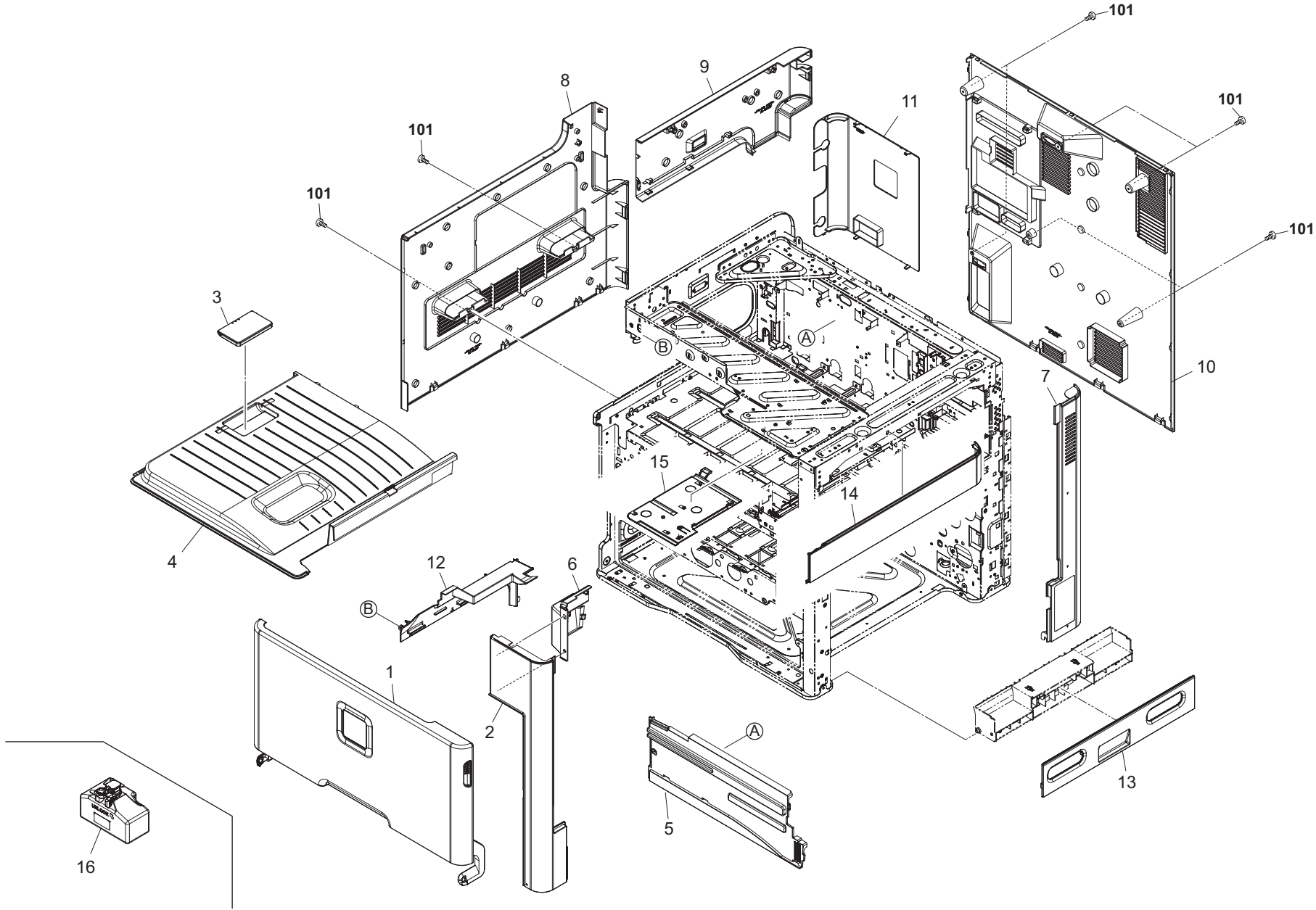


FIG. 1 Covers

2K0/2KZ

Ref. No.	Part.No.	Alternative Part.No.	Description	Quantity		
				120	230	240
1	302KZ94010	2KZ94010	PARTS COVER FRONT ASSY 20 E SP (20ppm)		1	1
1	302K094060	2K094060	PARTS COVER FRONT ASSY 25 E SP (25ppm)		1	1
1	302KZ94020	2KZ94020	PARTS COVER FRONT ASSY 20 J/A SP (20ppm)	1		
1	302K094360	2K094360	PARTS COVER FRONT ASSY 25 J/A SP(25ppm)	1		
2	302K004020	2K004020	COVER FRONT TOP	1	1	1
3	302H004560	2H004560	STOPPER PAPER	1	1	1
4	302K004030	2K004030	COVER TRAY	1	1	1
5	302K004040	2K004040	COVER EXIT REAR	1	1	1
6	302K004050	2K004050	COVER EXIT FRONT	1	1	1
7	302K004060	2K004060	COVER RIGHT REAR	1	1	1
8	302K004100	2K004100	COVER LEFT LOW	1	1	1
9	302K004110	2K004110	COVER LEFT TOP	1	1	1
10	302K094370	2K094370	PARTS COVER REAR ASSY SP	1	1	1
11	302K004170	2K004170	LID CONTROLLER BOX	1	1	1
12	302K004180	2K004180	COVER TRAY LEFT	1	1	1
13	302K304070	2K304070	COVER RIGHT LOW	1	1	1
14	302K094380	2K094380	PARTS COVER RIGHT TOP ASSY SP	1	1	1
15	302K304290	2K304290	COVER EXIT FRONT TOP	1	1	1
16	302K093110	2K093110	WT-895	1	1	1
101	7BB702308H	BB107060	+TP-FLAT T.T S SCREW 3X8 SR			

Parts with "•" are component parts or sub-assemblies of the assembly appearing immediately above them.

Parts with "••" are component parts or sub-assembly with "•" appearing immediately above them.

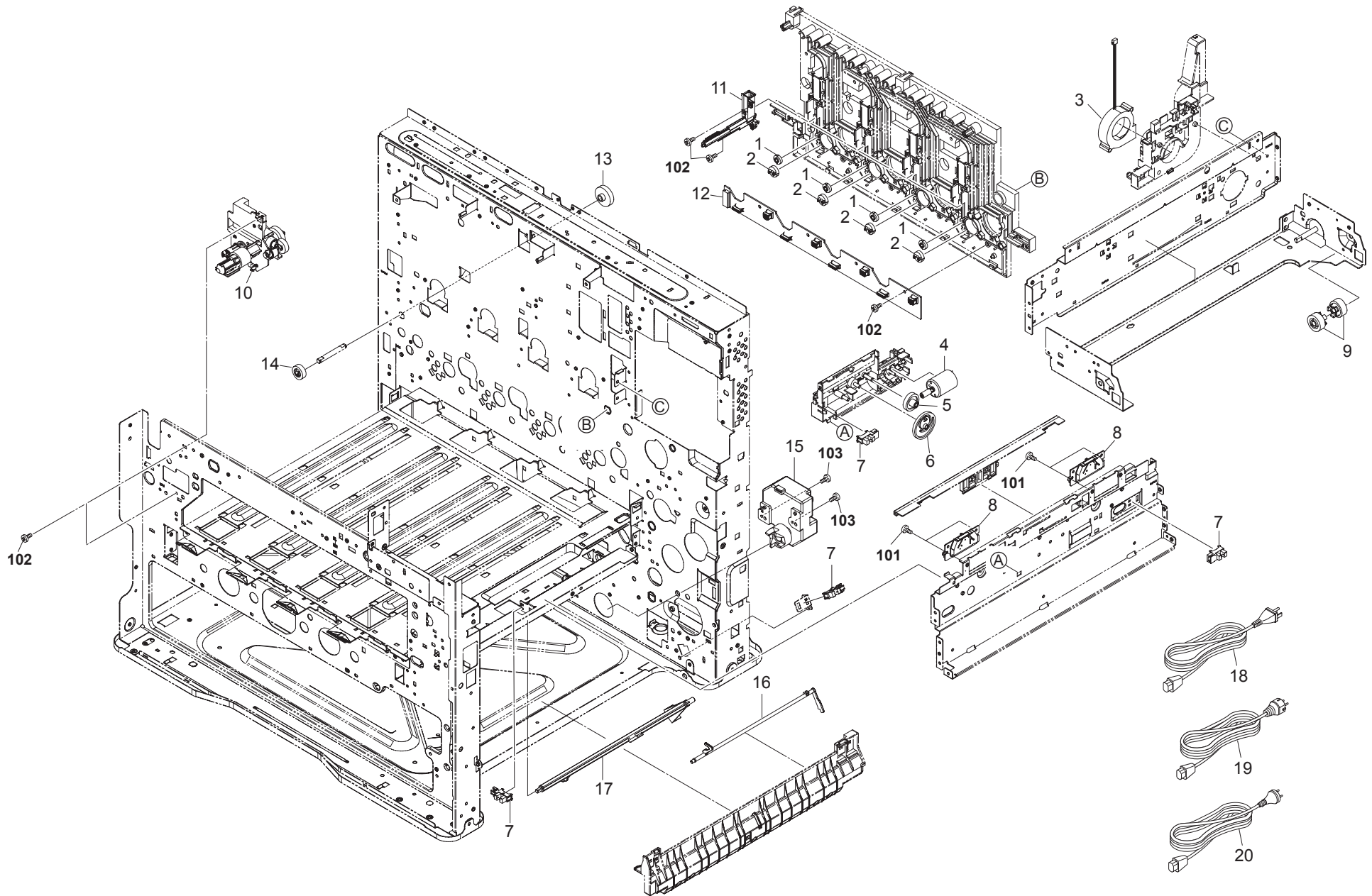


FIG. 2 Frames 1

2K0/2KZ

Ref. No.	Part.No.	Alternative Part.No.	Description	Quantity		
				120	230	240
1	302K015230	2K015230	GEAR IDLE Z22S	4	4	4
2	302K015240	2K015240	GEAR JOINT Z26S	4	4	4
3	302K094310	2K094310	PARTS FAN MOTOR SP	1	1	1
4	302K094100	2K094100	PARTS DC MOTOR SP	1	1	1
5	302K002880	2K002880	WORM-WHEEL ID SENSOR CLEANING	1	1	1
6	302K002890	2K002890	GEAR ID SENSOR CLEANING Z71R	1	1	1
7	7NXGP1S173LCH01	NX116910	SENSOR OPT.	4	4	4
8	302K094290	2K094290	PARTS ID SENSOR ASSY ASSY SP	2	2	2
9	302K026120	2K026120	GEAR IDLE Z20S	2	2	2
10	302K094040	2K094040	PARTS PIPE TRANSFER CLEANING ASSY SP	1	1	1
11	302K094050	2K094050	PARTS TONER SUPPLY ASSY SP	4	4	4
12	302K094180	2K094180	PARTS PWB DRUM DLP CONNECT ASSY SP	1	1	1
13	302K031720	2K031720	GEAR BELT CLEANING DRIVE Z30L	1	1	1
14	302K031740	2K031740	GEAR BELT CLEANING DRIVE Z20L	1	1	1
15	302K394190	2K394190	PARTS MOTOR LIFT ASSY SP	1	1	1
16	302K302830	2K302830	ACTUATOR DECK FEED	1	1	1
17	302K002230	2K002230	ACTUATOR PAPER EMPTY	1	1	1
18	3019527401	19527401	POWER CORD(120)	1		
19	2AR27800	2AR27800	POWER CORD(230)		1	
20	7AAACCAS+10H001	AA063380	AC CORD ASSY AS			1
101	7BB700308H	BB105600	+BIND T.T S SCREW 3X8 SR			
102	7BB200308H	BB105660	+BIND T.T P SCREW 3X8			
103	7BB700312H	BB106820	+BIND T.T S SCREW 3X12 SR			

Parts with "•" are component parts or sub-assemblies of the assembly appearing immediately above them.

Parts with "••" are component parts or sub-assembly with "•" appearing immediately above them.

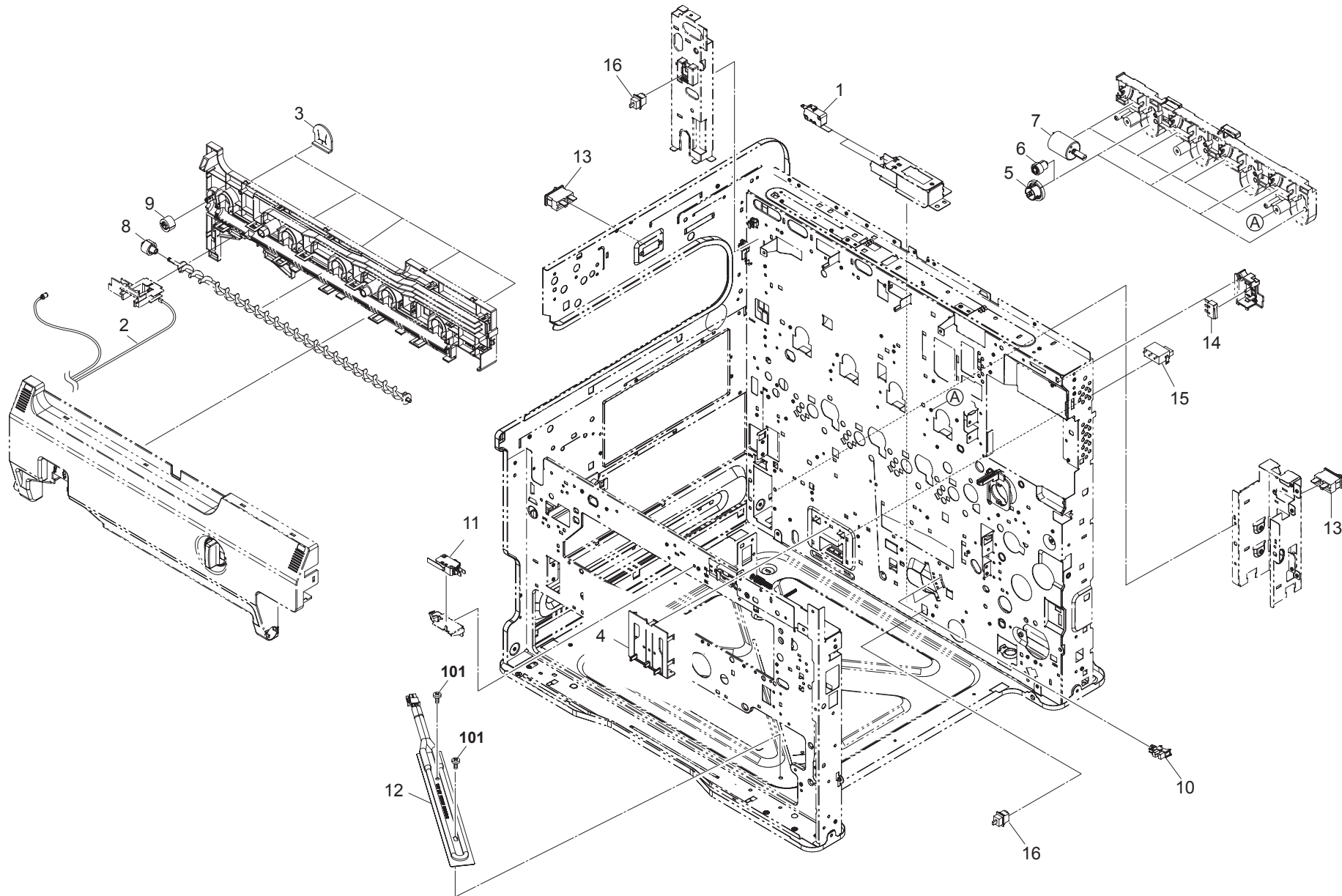


FIG. 3 Frames 2

2K0/2KZ

Ref. No.	Part.No.	Alternative Part.No.	Description	Quantity		
				120	230	240
1	2FB27160	2FB27160	INTER LOCK SWITCH	2	2	2
2	302K094280	2K094280	PARTS TONER FULL DETECT ASSY SP	1	1	1
3	302K003280	2K003280	SEAL CASE WASTE C	5	5	5
4	302K309410	2K309410	PLATE SIZE DETECTION	1	1	1
5	302K015040	2K015040	GEAR Z50S	4	4	4
6	302K015030	2K015030	GEAR Z20S-Z26L	4	4	4
7	302K094090	2K094090	PARTS MOTOR-DC ASSY C SP	4	4	4
8	302K003060	2K003060	GEAR SCREW WASTE Z13L	1	1	1
9	302K003110	2K003110	GEAR WASTE Z13L	1	1	1
10	7NXGP1S173LCH01	NX116910	SENSOR OPT.	2	2	2
11	7SM010303+++H01	SM037910	SW.MICRO	1	1	1
12	302K302430	2K302430	HEATER DEHUMIDIFIER 120	1		
12	302K302440	2K302440	HEATER DEHUMIDIFIER 240		1	1
13	7SC010105+++H01	SC125000	SW.SEESAW	2	2	2
14	7SM010101+++H01	SM042310	SW.MICRO	1	1	1
15	5ESP03090001+01	SP000360	PUSH SWITCH 03 SN /SW-192 N	1	1	1
16	7SP01000001+H01	SP044290	SW.PUSH	2	2	2
101	7BB700308H	BB105600	+BIND T.T S SCREW 3X8 SR			

Parts with "•" are component parts or sub-assemblies of the assembly appearing immediately above them.

Parts with "••" are component parts or sub-assembly with "•" appearing immediately above them.

FIG. 4 Paper Cassette

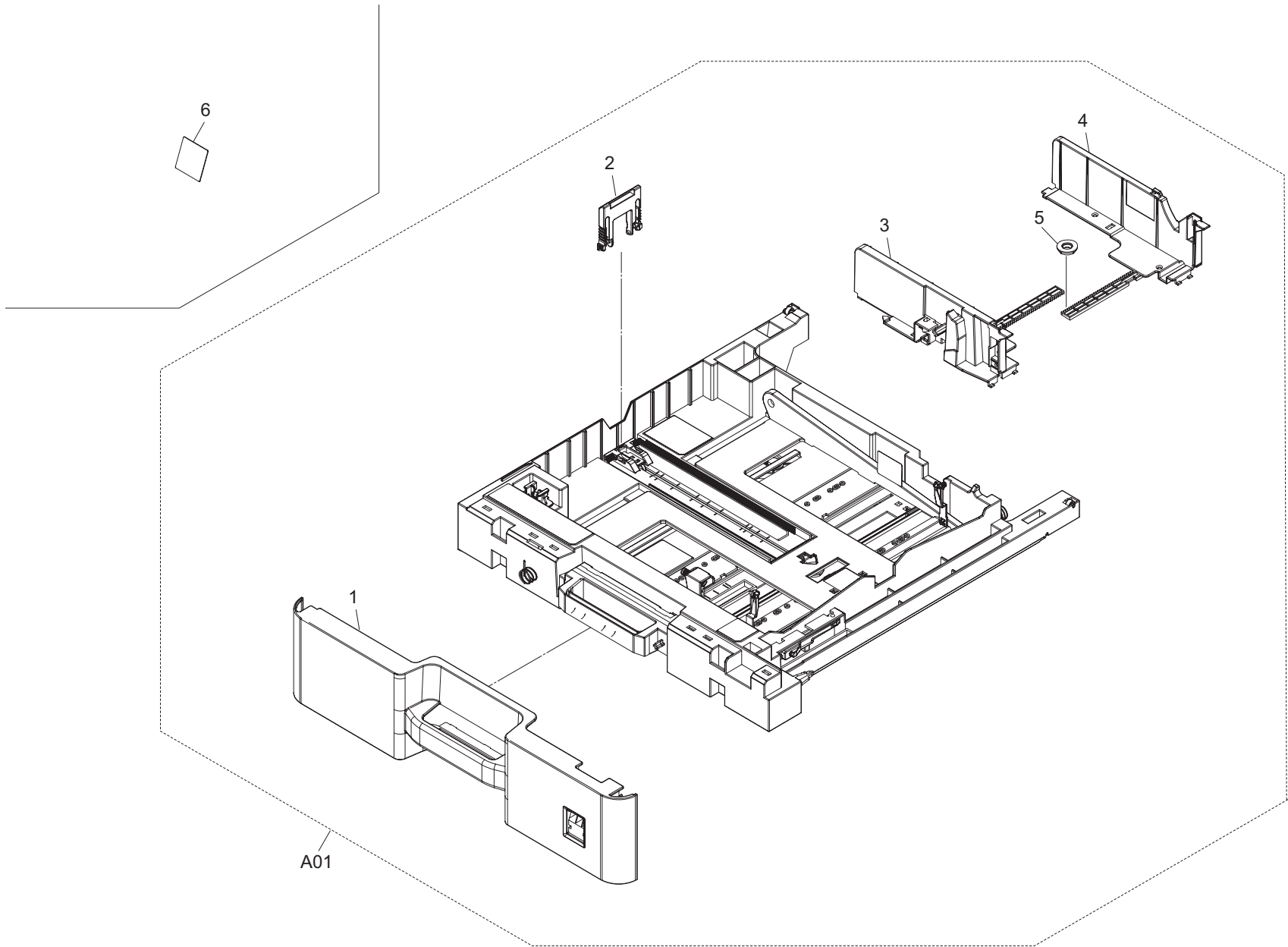


FIG. 4 Paper Cassette

2K0/2KZ

Ref. No.	Part.No.	Alternative Part.No.	Description	Quantity		
				120	230	240
A01	302K393170	2K393170	CT-475	1	1	1
1	•302K309080	2K309080	COVER CASSETTE	1	1	1
2	•302K309270	2K309270	CURSOR END	1	1	1
3	•302K309130	2K309130	CURSOR CASSETTE FRONT	1	1	1
4	•302K309120	2K309120	CURSOR CASSETTE REAR	1	1	1
5	•302K394380	2K394380	PARTS GEAR Z18 SP	1	1	1
6	302K334090	2K334090	SHEET CASSETTE C		1	1
6	302K334100	2K334100	SHEET CASSETTE I	1		

Parts with "•" are component parts or sub-assemblies of the assembly appearing immediately above them.

Parts with "••" are component parts or sub-assembly with "•" appearing immediately above them.

FIG. 5 Paper Feed Section 1

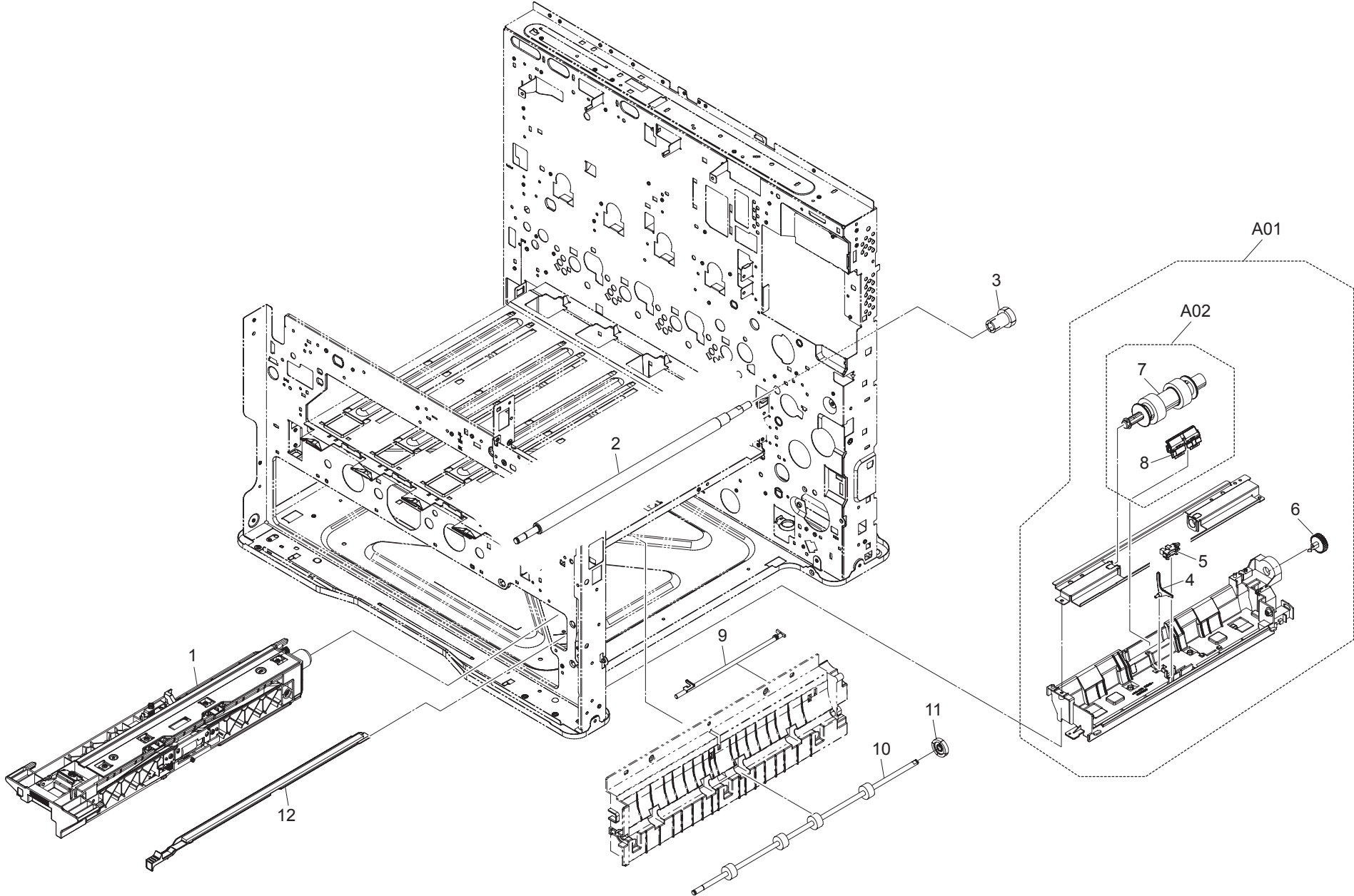


FIG. 5 Paper Feed Section 1

2K0/2KZ

Ref. No.	Part.No.	Alternative Part.No.	Description	Quantity		
				120	230	240
1	302K394480	2K394480	PRIMARY FEED UNIT	1	1	1
2	302K394230	2K394230	PARTS ROLLER REGIST LEFT SP	1	1	1
3	302K394310	2K394310	PARTS GEAR REGIST Z28L-Z18L SP	1	1	1
A01	302K394500	2K394500	PARTS MPF UNIT	1	1	1
4	•302K308020	2K308020	ACTUATOR MPF	1	1	1
5	•7NXGP1S173LCH01	NX116910	SENSOR OPT.	1	1	1
6	•302K394320	2K394320	PARTS GEAR MPF Z28 SP	1	1	1
A02	•302K394620	2K394620	MPF ROLLER-PAD SET (for customer)	1	1	1
7	••302K394460	2K394460	MPF ROLLER(service only)	1	1	1
8	••302K394490	2K394490	SEPARATION PAD(service only)	1	1	1
9	302K306140	2K306140	ACTUATOR REGIST	1	1	1
10	302K094330	2K094330	PARTS ROLLER MIDDLE SP	1	1	1
11	302HS31120	2HS31120	GEAR Z27L CLUTCH	1	1	1
12	302K094400	2K094400	REGIST CLEANER	1	1	1

Parts with "•" are component parts or sub-assemblies of the assembly appearing immediately above them.

Parts with "••" are component parts or sub-assembly with "•" appearing immediately above them.

FIG. 6 Paper Feed Section 2

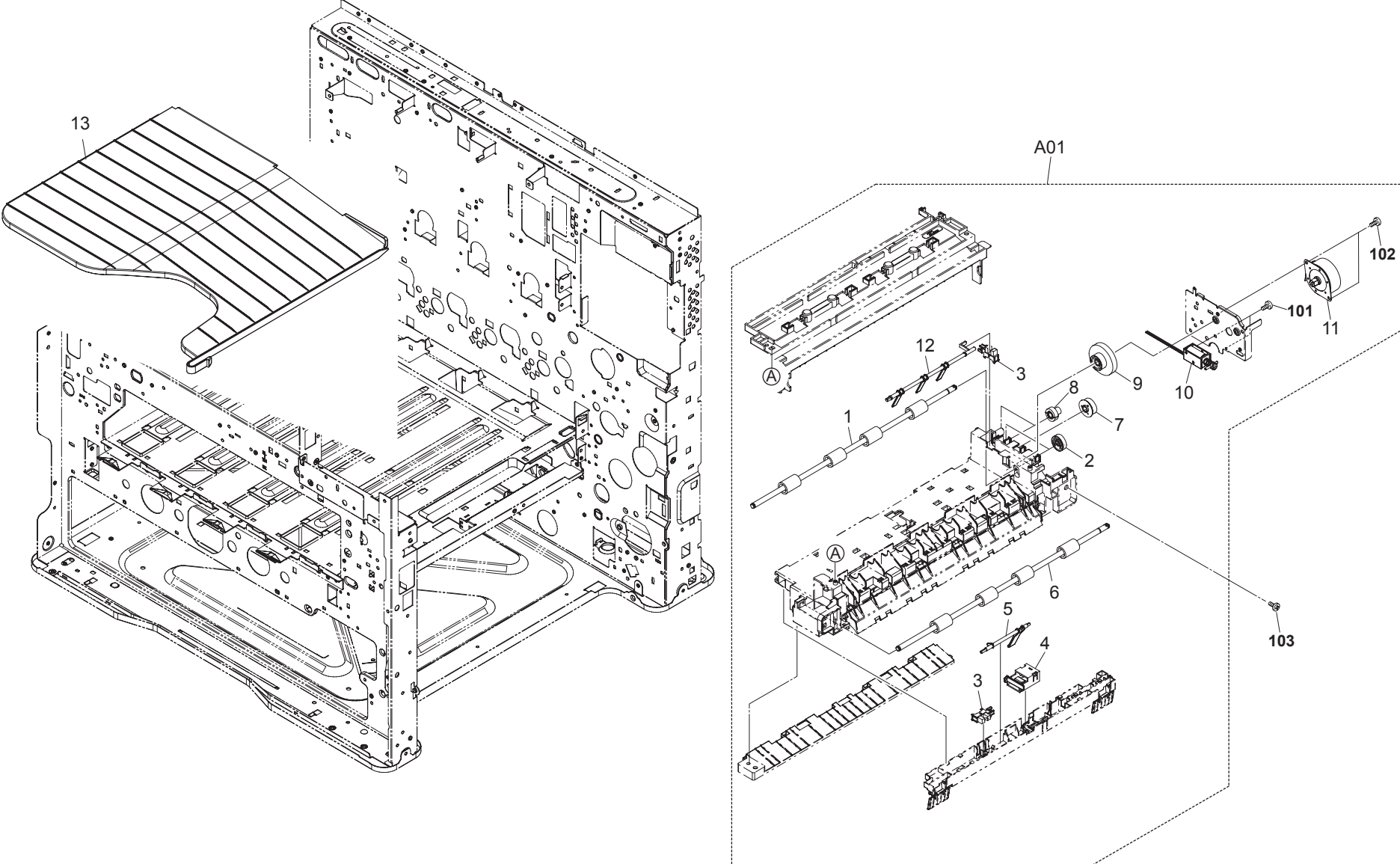


FIG. 6 Paper Feed Section 2

2K0/2KZ

Ref. No.	Part.No.	Alternative Part.No.	Description	Quantity		
				120	230	240
A01	302K094010	2K094010	PARTS EXIT UNIT SP	1	1	1
1	•302K094350	2K094350	PARTS ROLLER EXIT REVERSE SP	1	1	1
2	•302K394350	2K394350	PARTS GEAR Z22S EXIT SP	2	2	2
3	•7NXGP1S173LCH01	NX116910	SENSOR OPT.	2	2	2
4	•302K394180	2K394180	PARTS SWITCH EXIT PAPER EMPTY SP	1	1	1
5	•302K028080	2K028080	ACTUATOR EXIT OVERFLOW LOW	1	1	1
6	•302K094340	2K094340	PARTS ROLLER EXIT FD SP	1	1	1
7	•302K028260	2K028260	GEAR Z23S EXIT	1	1	1
8	•302KP29090	2KP29090	GEAR IDLE Z18S	2	2	2
9	•302K394340	2K394340	PARTS GEAR Z74R-Z22S EXIT SP	1	1	1
10	•303LJ94150	3LJ94150	PARTS SOLENOID FEED SHIFT SP	1	1	1
11	•302HN44100	2HN44100	MOTOR REVERSE	1	1	1
12	•302K028090	2K028090	ACTUATOR EXIT OVERFLOW UP	1	1	1
13	302K328300	2K328300	TRAY EJECT	1	1	1
101	7BB000303H	BB107000	+BIND M SCREW 3X3			
102	7BB700308H	BB105600	+BIND T.T S SCREW 3X8 SR			
103	7BB200410H	BB105700	+BIND T.T P SCREW 4X10			

Parts with "•" are component parts or sub-assemblies of the assembly appearing immediately above them.

Parts with "••" are component parts or sub-assembly with "•" appearing immediately above them.

FIG. 7 Paper Conveying Section

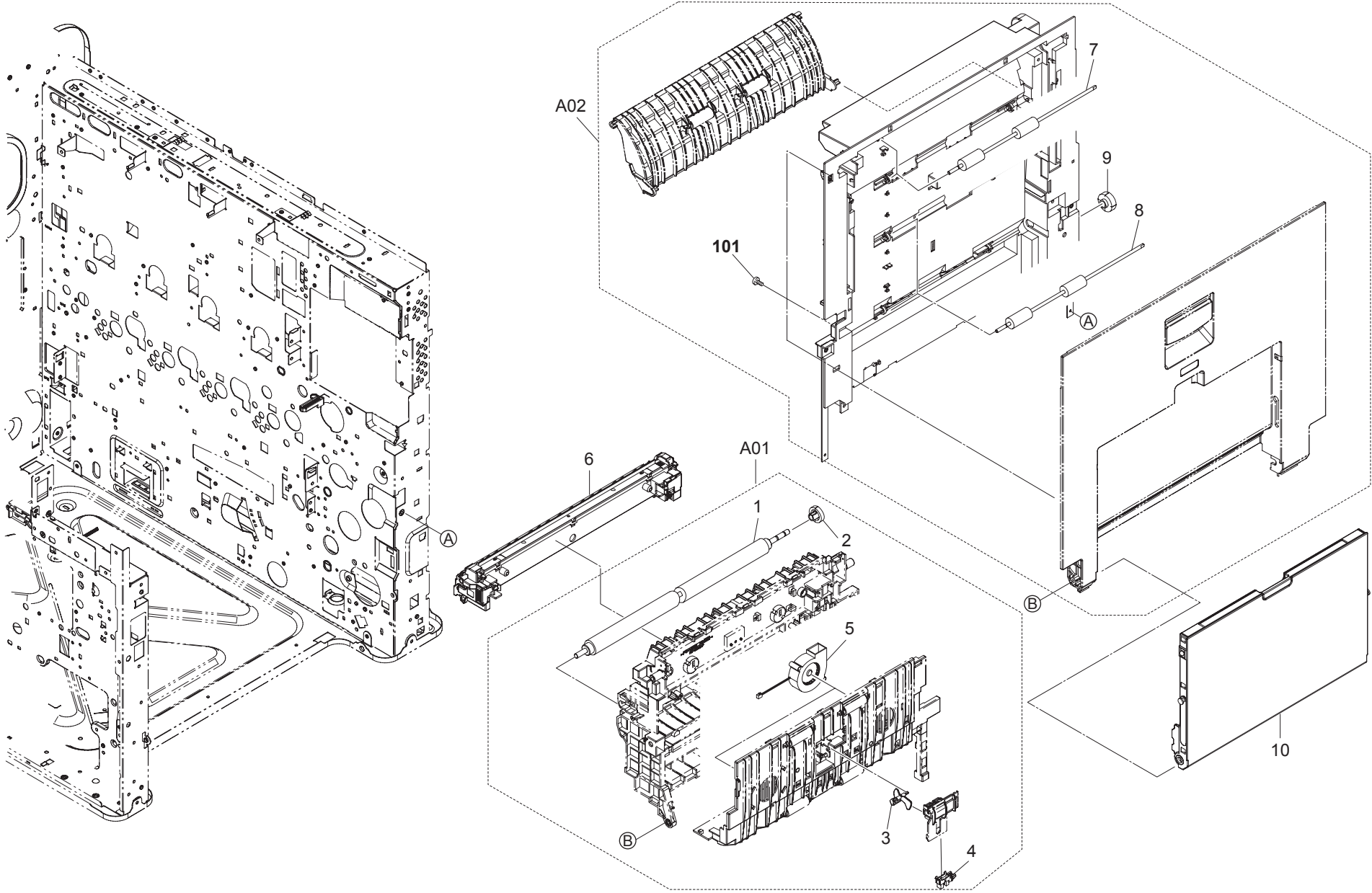


FIG. 7 Paper Conveying Section

2K0/2KZ

Ref. No.	Part.No.	Alternative Part.No.	Description	Quantity		
				120	230	240
A01	302K094020	2K094020	PARTS CONVEYING UNIT SP	1	1	1
1	•302K394220	2K394220	PARTS ROLLER REGIST RIGHT SP	1	1	1
2	•302K394330	2K394330	PARTS GEAR REGIST Z24R SP	1	1	1
3	•302K329040	2K329040	ACTUATOR DU	1	1	1
4	•7NXGP1S173LCH01	NX116910	SENSOR OPT.	1	1	1
5	•302HN44210	2HN44210	FAN MOTOR	2	2	2
6	302K093080	2K093080	TR-895B	1	1	1
A02	302K094030	2K094030	PARTS COVER RIGHT ASSY SP	1	1	1
7	•302K094390	2K094390	PARTS ROLLER DU B SP	2	2	2
8	•302K394250	2K394250	PARTS ROLLER DU SP	2	2	2
9	•302K394400	2K394400	PARTS GEAR DU Z27L SP	1	1	1
10	302K394470	2K394470	PARTS MPF TABLE ASSY SP	1	1	1
101	7BB200308H	BB105660	+BIND T.T P SCREW 3X8			

Parts with "•" are component parts or sub-assemblies of the assembly appearing immediately above them.

Parts with "••" are component parts or sub-assembly with "•" appearing immediately above them.

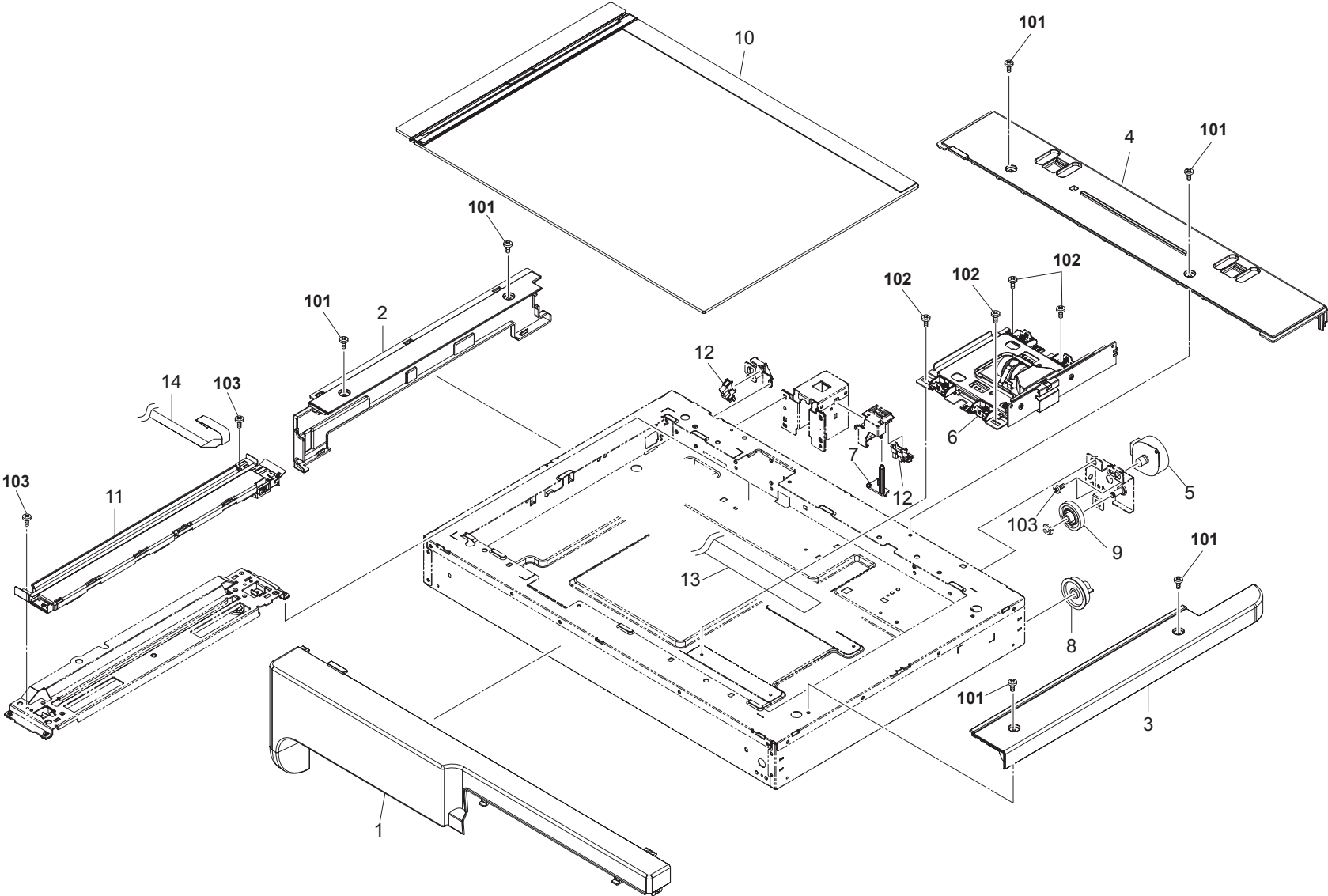


FIG. 8 Scanner Section

2K0/2KZ

Ref. No.	Part.No.	Alternative Part.No.	Description	Quantity		
				120	230	240
1	302K004120	2K004120	COVER ISU FRONT	1	1	1
2	302K304130	2K304130	COVER ISU LEFT	1	1	1
3	302K394590	2K394590	PARTS COVER ISU RIGHT ASSY A SP	1	1	1
4	302K304150	2K304150	COVER ISU REAR	1	1	1
5	302K394210	2K394210	PARTS MOTOR ISU SP	1	1	1
6	302K093160	2K093160	PARTS ISU	1	1	1
7	302K317250	2K317250	SWITCH RELEASE	1	1	1
8	302K317350	2K317350	GEAR Z54	1	1	1
9	302K394370	2K394370	PARTS GEAR Z18-Z63R SP	1	1	1
10	302K394560	2K394560	PARTS CONTACT-GLASS ASSY(I) SP	1		
10	302K394550	2K394550	PARTS CONTACT-GLASS ASSY(C) SP		1	1
11	302K093150	2K093150	PARTS MOUNT LED ASSY	1	1	1
12	7NXGP1S173LCH01	NX116910	SENSOR OPT.	2	2	2
13	302K346410	2K346410	FFC MAIN-CCD	1	1	1
14	302K346400	2K346400	FFC MAIN-LED LAMP	1	1	1
101	7BB702308H	BB107060	+TP-FLAT T.T S SCREW 3X8 SR			
102	7BB606308H	BB105280	+PAN M SCREW WITH SW W 3X8 R			
103	7BB700308H	BB105600	+BIND T.T S SCREW 3X8 SR			

Parts with "•" are component parts or sub-assemblies of the assembly appearing immediately above them.

Parts with "••" are component parts or sub-assembly with "•" appearing immediately above them.

FIG. 9 Laser Scanner Section

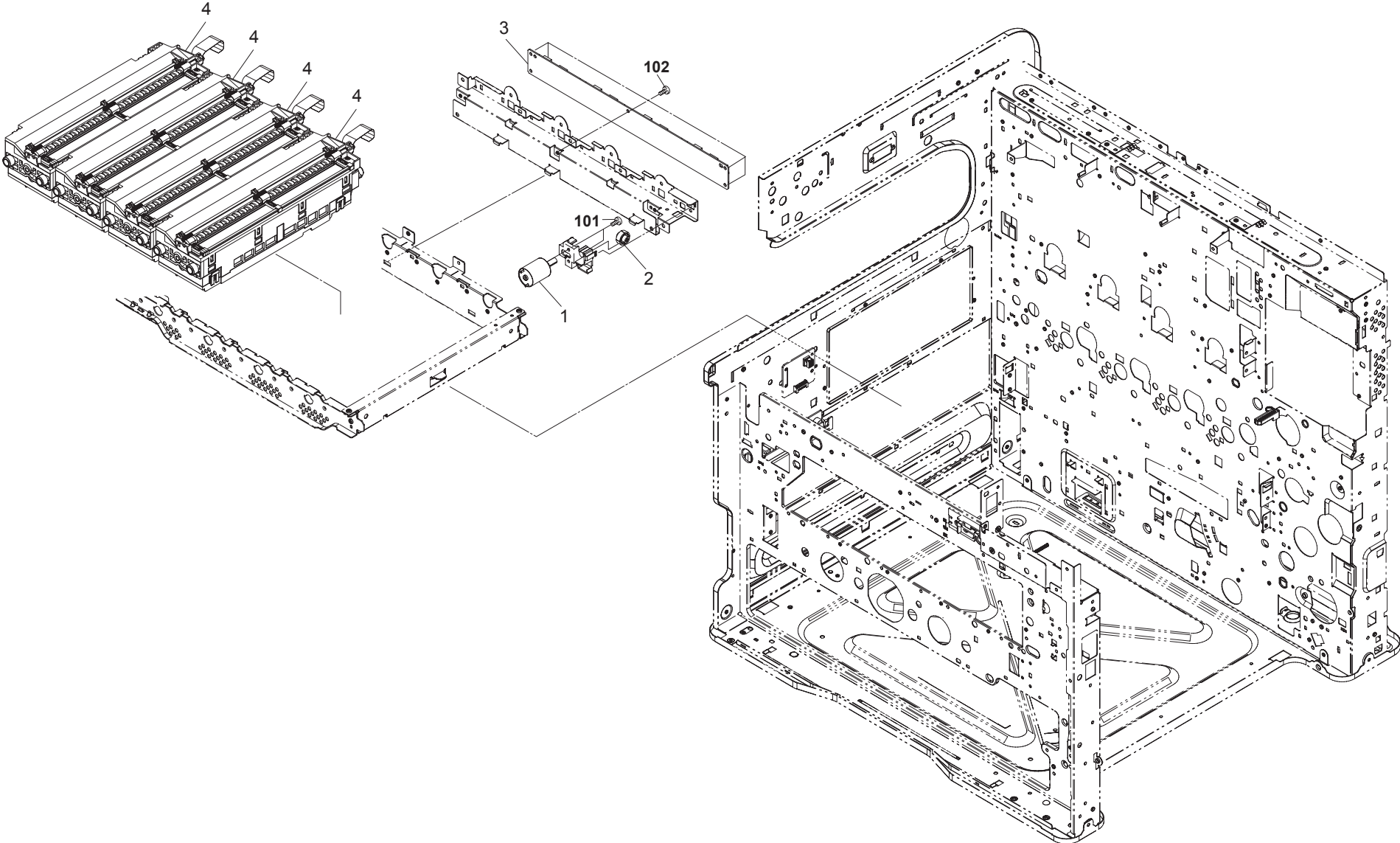


FIG. 9 Laser Scanner Section

2K0/2KZ

Ref. No.	Part.No.	Alternative Part.No.	Description	Quantity		
				120	230	240
1	302K094090	2K094090	PARTS MOTOR-DC ASSY C SP	1	1	1
2	302K994520	2K994520	PARTS GEAR Z32L SP	1	1	1
3	302K094170	2K094170	PARTS PWB LSU CONNECT ASSY SP	1	1	1
4	302K093060	2K093060	LK-895	4	4	4
101	7BB000303H	BB107000	+BIND M SCREW 3X3			
102	7BB700308H	BB105600	+BIND T.T S SCREW 3X8 SR			

Parts with "•" are component parts or sub-assemblies of the assembly appearing immediately above them.

Parts with "••" are component parts or sub-assembly with "•" appearing immediately above them.

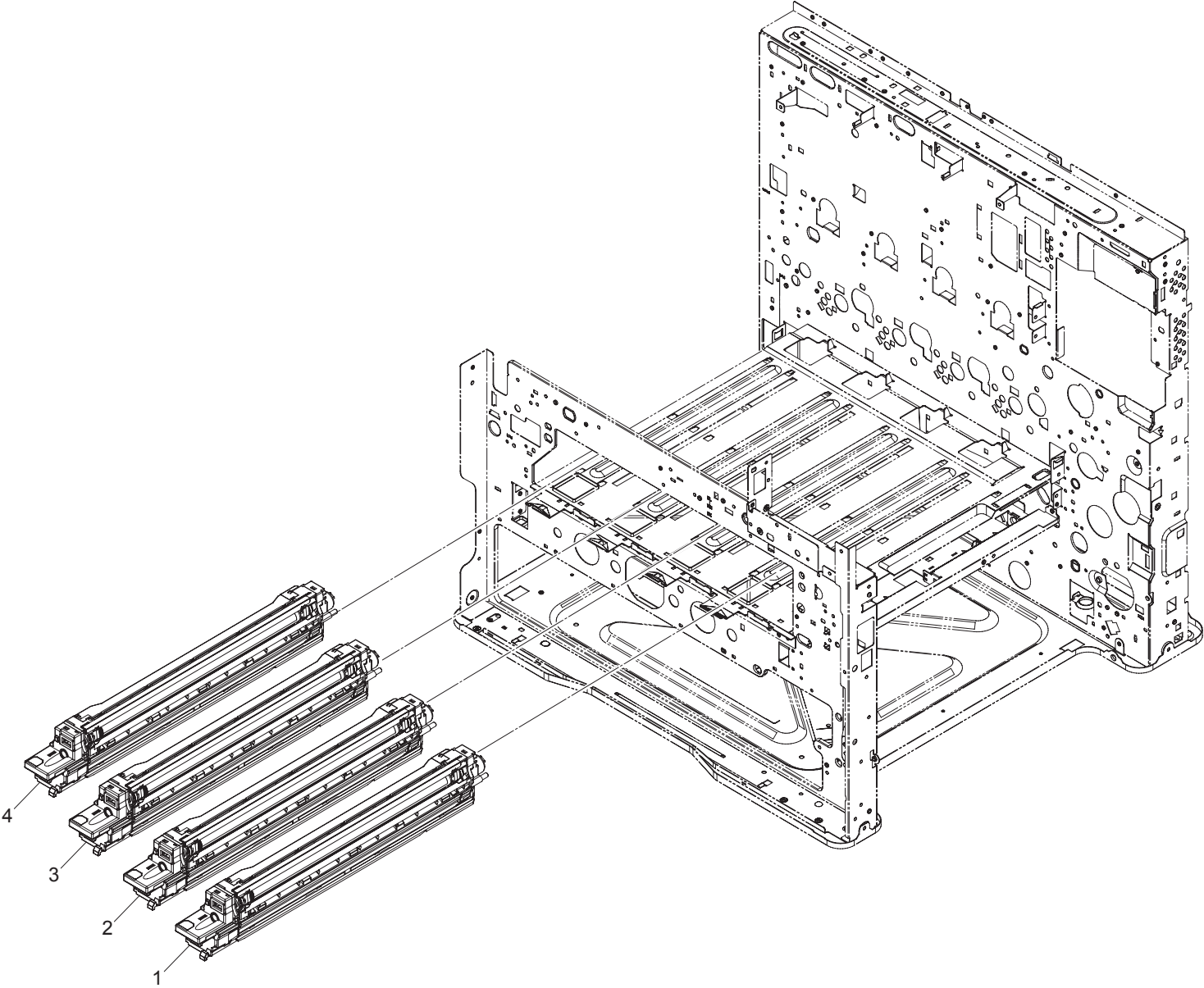


FIG. 10 Developing Section

2K0/2KZ

Ref. No.	Part.No.	Alternative Part.No.	Description	Quantity		
				120	230	240
1	302K093040	2K093040	DV-895C	1	1	1
2	302K093050	2K093050	DV-895K	1	1	1
3	302K093030	2K093030	DV-895M	1	1	1
4	302K093020	2K093020	DV-895Y	1	1	1

Parts with "•" are component parts or sub-assemblies of the assembly appearing immediately above them.

Parts with "••" are component parts or sub-assembly with "•" appearing immediately above them.

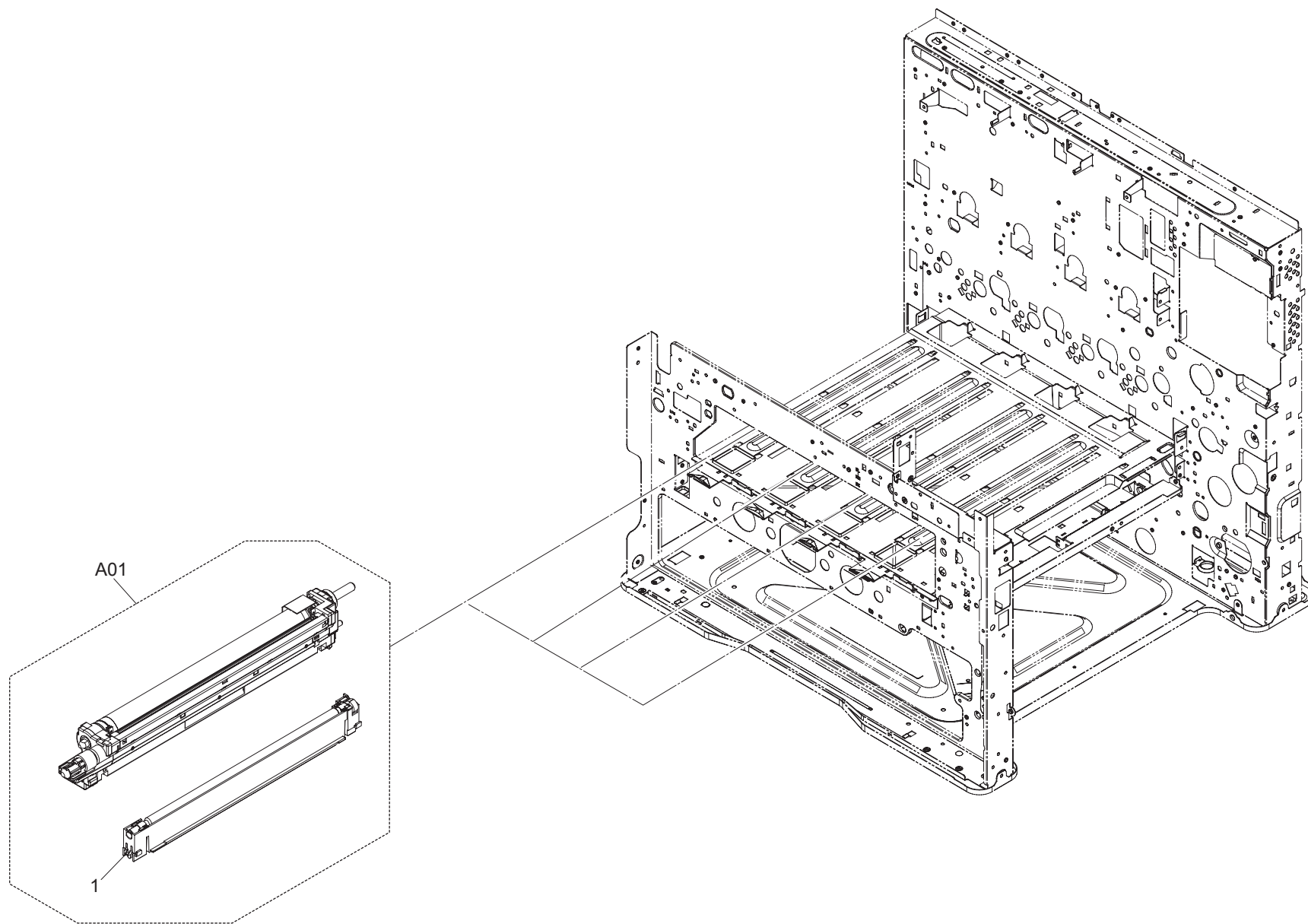


FIG. 11 Image Formation Section

2K0/2KZ

Ref. No.	Part.No.	Alternative Part.No.	Description	Quantity		
				120	230	240
A01 1	302K093010 •302K093100	2K093010 2K093100	DK-895 MC-895	4 4	4 4	4 4

Parts with "•" are component parts or sub-assemblies of the assembly appearing immediately above them.

Parts with "••" are component parts or sub-assembly with "•" appearing immediately above them.

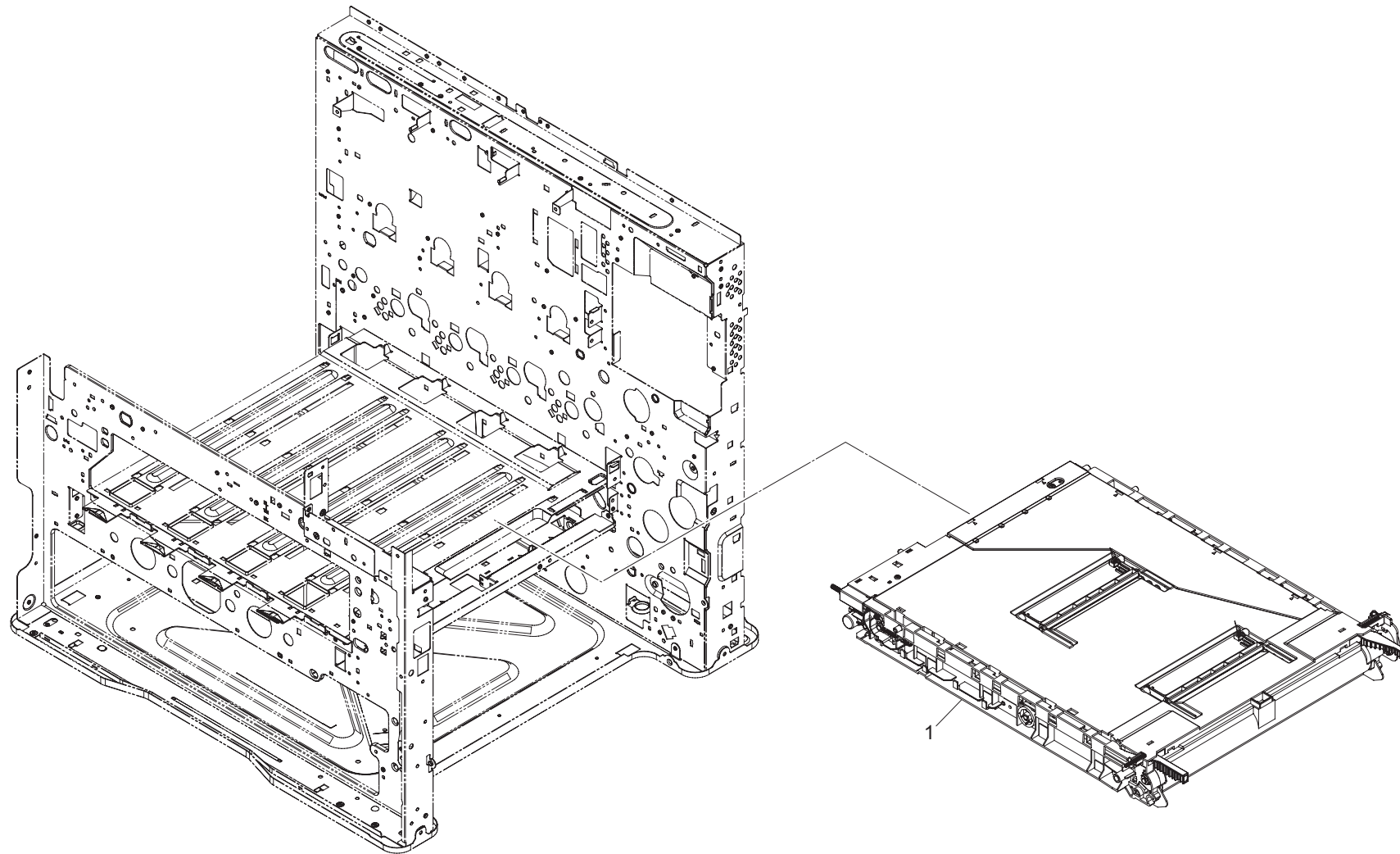


FIG. 12 Transfer Section

2K0/2KZ

Ref. No.	Part.No.	Alternative Part.No.	Description	Quantity		
				120	230	240
1	302K093070	2K093070	TR-895A	1	1	1

Parts with "•" are component parts or sub-assemblies of the assembly appearing immediately above them.

Parts with "••" are component parts or sub-assembly with "•" appearing immediately above them.

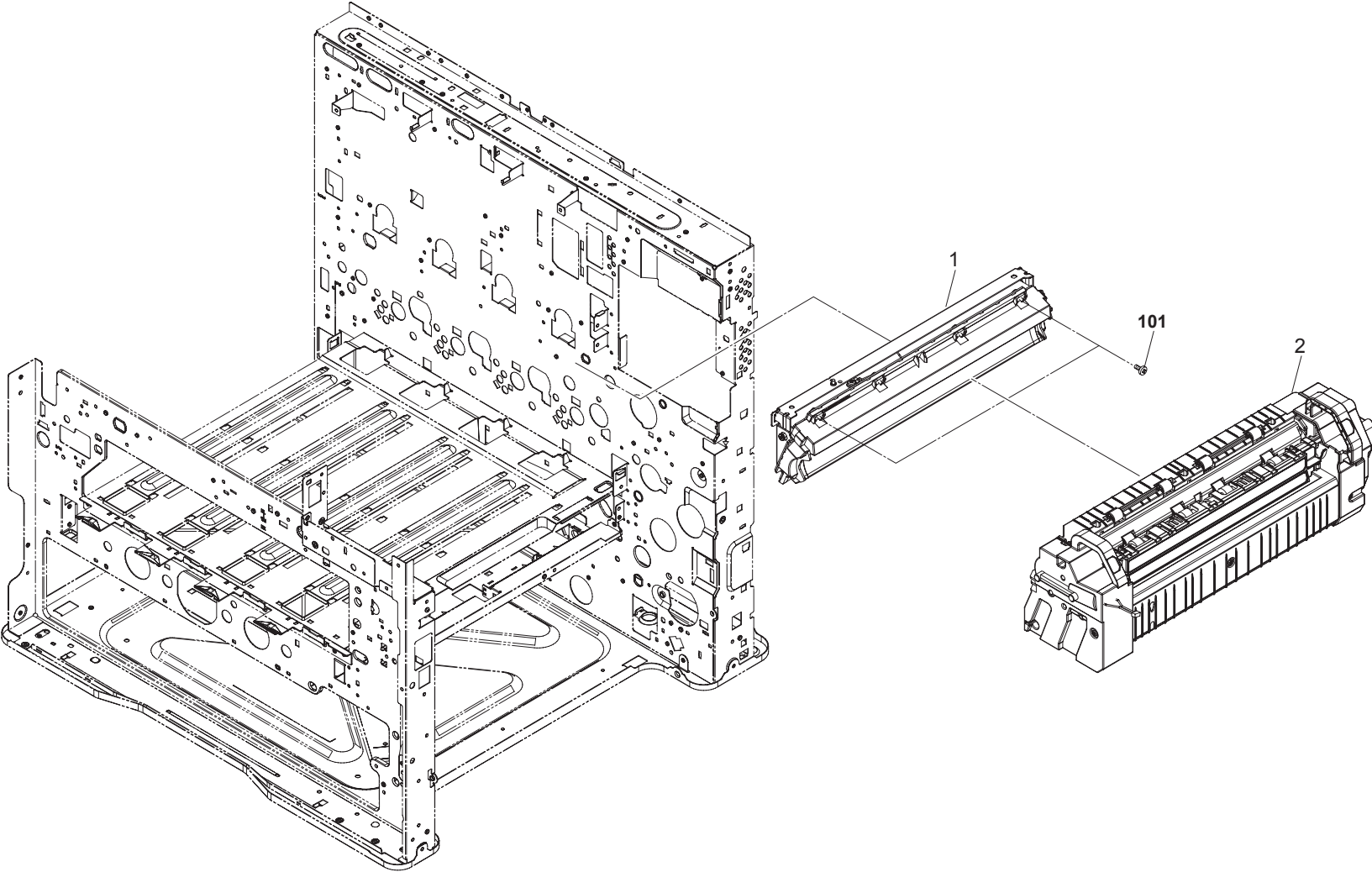


FIG. 13 Fuser Section

2K0/2KZ

Ref. No.	Part.No.	Alternative Part.No.	Description	Quantity		
				120	230	240
1	302LC93080	2LC93080	FK-100	1		
1	302LC93090	2LC93090	FK-200		1	1
2	302K093090	2K093090	FK-895	1	1	1
101	7BB700308H	BB105600	+BIND T.T S SCREW 3X8 SR			

Parts with "•" are component parts or sub-assemblies of the assembly appearing immediately above them.

Parts with "••" are component parts or sub-assembly with "•" appearing immediately above them.

FIG. 14 Drive Section

2K0/2KZ

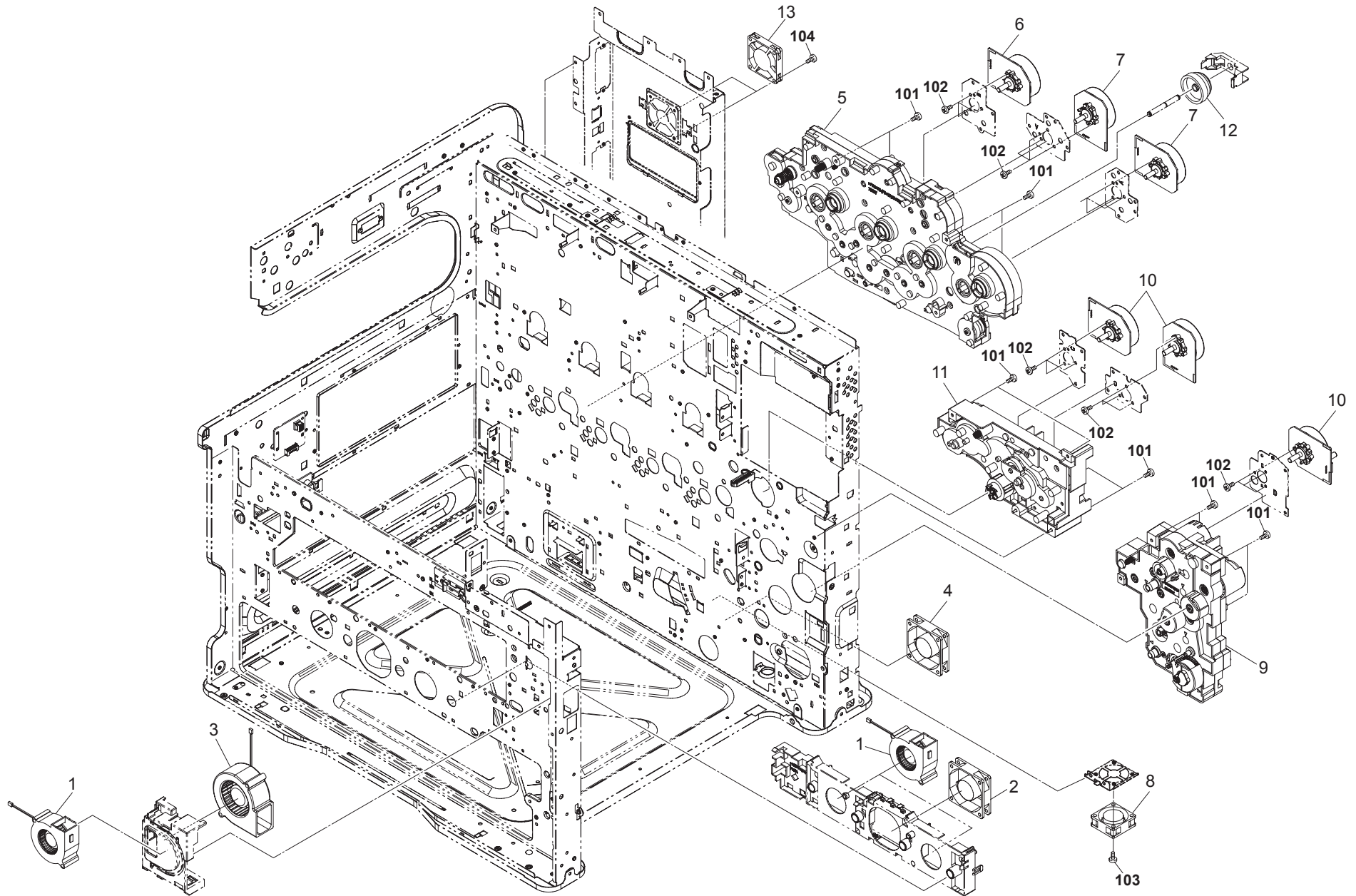


FIG. 14 Drive Section

2K0/2KZ

Ref. No.	Part.No.	Alternative Part.No.	Description	Quantity		
				120	230	240
1	302LC94380	2LC94380	PARTS FAN COOLING LSU 60 SP	3	3	3
2	302FZ94420	2FZ94420	PARTS,FAN COOLING CONVEYING SP	1	1	1
3	302FZ94380	2FZ94380	PARTS,FAN COOLING DLP 70 SP	1	1	1
4	302HN44010	2HN44010	FAN MOTOR	1	1	1
5	302K093120	2K093120	DR-895A	1	1	1
6	302LC94280	2LC94280	PARTS MOTOR-BL W40 SP	1	1	1
7	302LC943000	2LC94300	PARTS MOTOR-BL W20 DRUM SP	2	2	2
8	302HG44120	2HG44120	FAN MOTOR PS40	1	1	1
9	302K093140	2K093140	DR-895C	1	1	1
10	302K994320	2K994320	PARTS MOTOR-BL W20 SP	3	3	3
11	302K093130	2K093130	DR-895B	1	1	1
12	302K094320	2K094320	PARTS CLUTCH 50 Z45L SP	1	1	1
13	302HG44110	2HG44110	FAN MOTOR 50	1	1	1
101	7BB700308H	BB105600	+BIND T.T S SCREW 3X8 SR			
102	7BB000304H	BB105720	+BIND M SCREW 3X4			
103	7BB700320H	BB105620	+BIND T.T S SCREW 3X20 SR			
104	7BB700312H	BB106820	+BIND T.T S SCREW 3X12 SR			

Parts with "•" are component parts or sub-assemblies of the assembly appearing immediately above them.

Parts with "••" are component parts or sub-assembly with "•" appearing immediately above them.

FIG. 15 Electrical Components

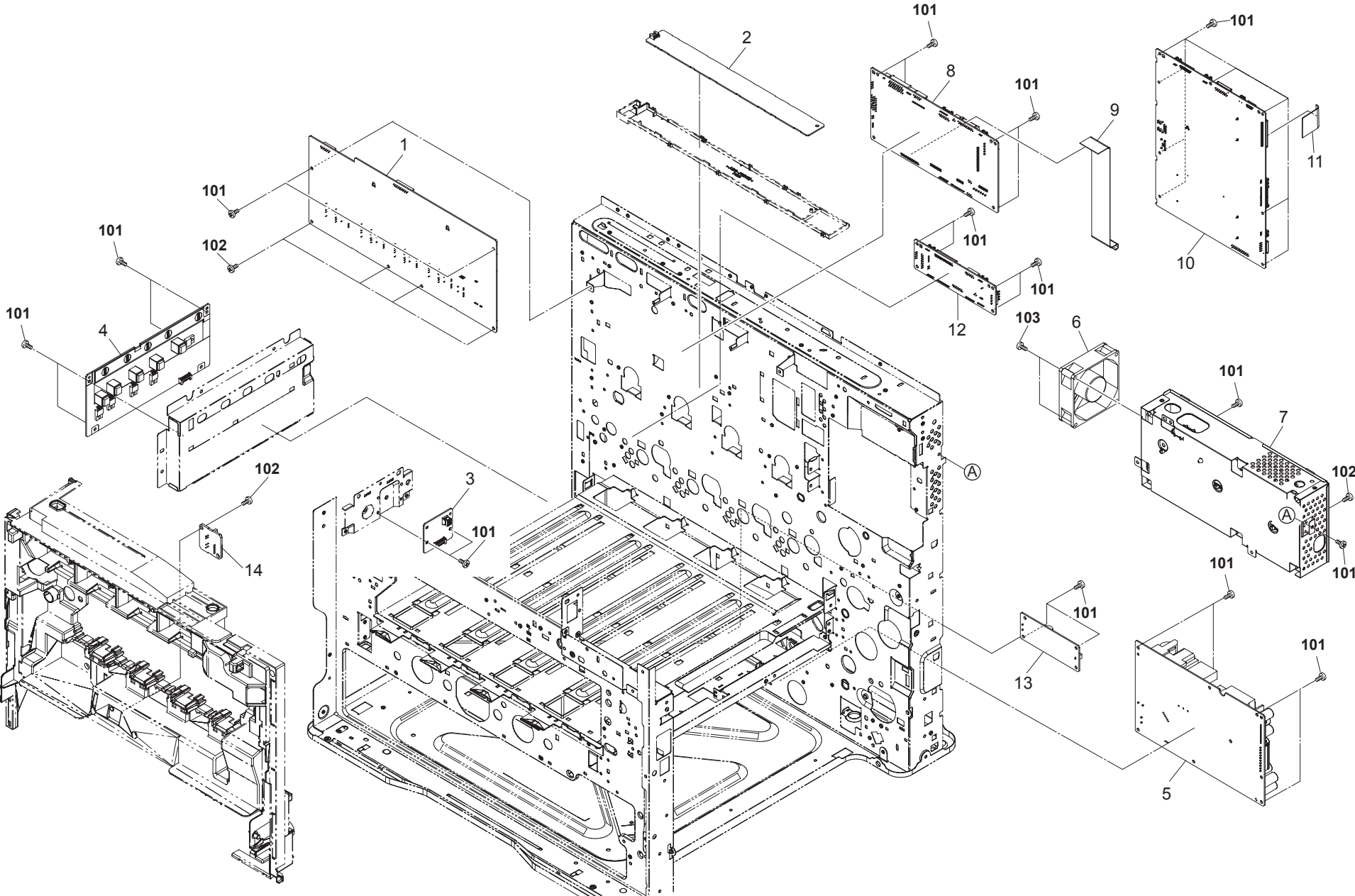


FIG. 15 Electrical Components

2K0/2KZ

Ref. No.	Part.No.	Alternative Part.No.	Description	Quantity		
				120	230	240
1	302K094260	2K094260	PARTS HVU1 SP	1	1	1
2	302K094200	2K094200	PARTS PWB RFID ASSY SP	1	1	1
3	302K094190	2K094190	PARTS PWB TRANSFER CONNECT ASSY SP	1	1	1
4	302K094270	2K094270	PARTS HVU2 SP	1	1	1
5	302K094240	2K094240	PARTS LVU MAIN 100 SP	1		
5	302K094250	2K094250	PARTS LVU MAIN 200 SP		1	1
6	302K094300	2K094300	PARTS FAN MOTOR SP	1	1	1
7	302K094110	2K094110	PARTS PWB IH 100 ASSY SP	1		
7	302K094120	2K094120	PARTS PWB IH 200 ASSY SP		1	1
8	302K094160	2K094160	PARTS PWB ENGINE ASSY SP	1	1	1
9	302K046330	2K046330	FFC ENGINE1-2 SIG	1	1	1
10	302K094130	2K094130	PARTS PWB MAIN ASSY SP	1		1
10	302K094140	2K094140	PARTS PWB MAIN ASSY SP EU		1	
11	302K046880	2K046880	FFC ENGINE-MAIN	1	1	1
12	302K094210	2K094210	PARTS PWB ENGINE CONNECT ASSY SP	1	1	1
13	302K394150	2K394150	PARTS LVU SUB 100 SP	1		
13	302K394160	2K394160	PARTS LVU SUB 200 SP		1	1
14	302KV94360	2KV94360	PARTS PWB ASSY THERMISTOR SP	1	1	1
101	7BB700308H	BB105600	+BIND T.T S SCREW 3X8 SR			
102	7BB200308H	BB105660	+BIND T.T P SCREW 3X8			
103	7BB700330H	BB106840	+BIND T.T S SCREW 3X30 SR			

Parts with "•" are component parts or sub-assemblies of the assembly appearing immediately above them.

Parts with "••" are component parts or sub-assembly with "•" appearing immediately above them.

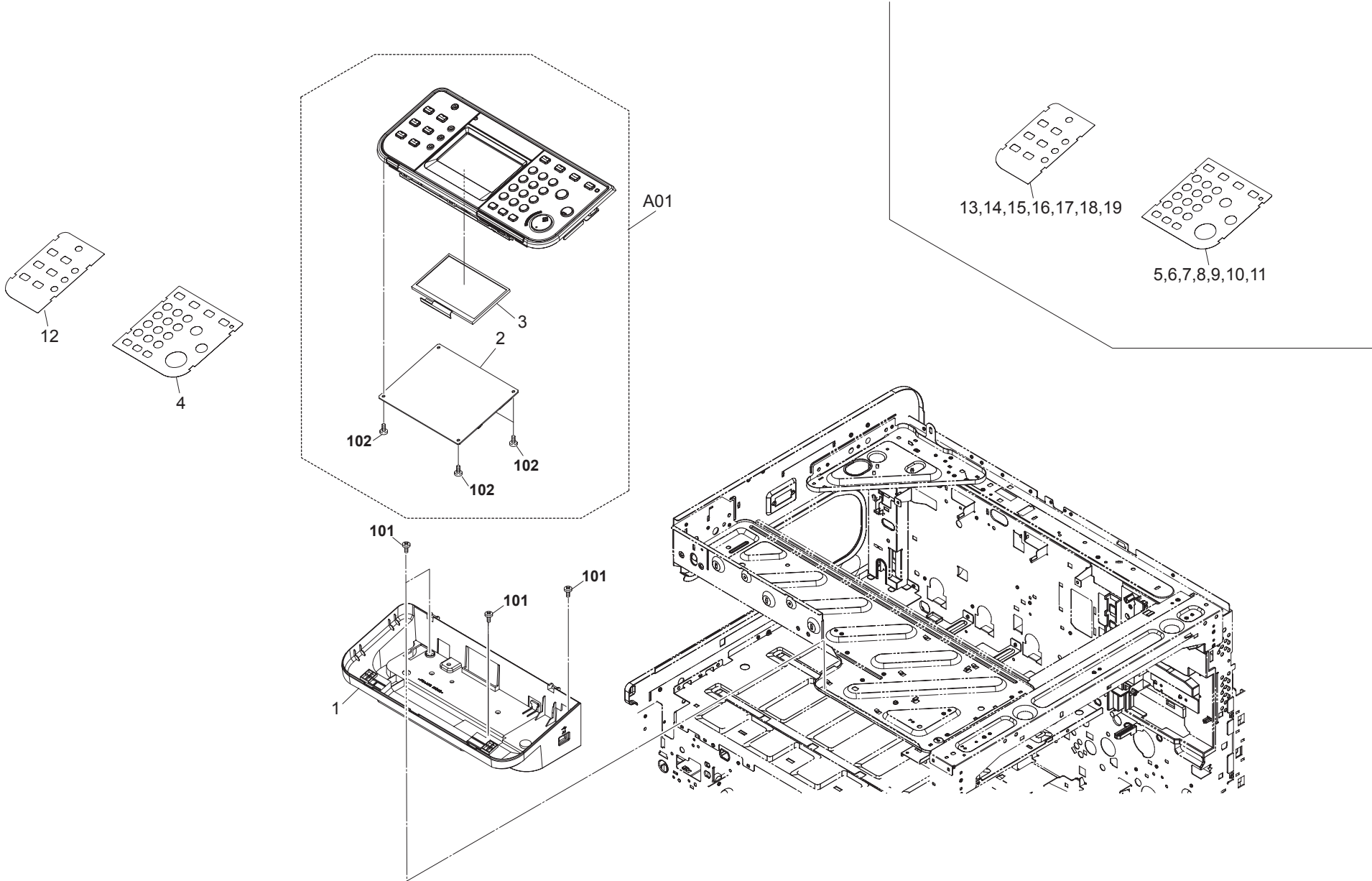


FIG. 16 Operation Section

2K0/2KZ

Ref. No.	Part.No.	Alternative Part.No.	Description	Quantity		
				120	230	240
1	302K305020	2K305020	COVER OPERATION LOW	1	1	1
A01	302K094070	2K094070	PARTS OPERATION UNIT SP	1	1	1
2	•302K094220	2K094220	PARTS PWB PANEL MAIN ASSY SP	1	1	1
3	•302K394170	2K394170	PARTS LCD COLOR SP	1	1	1
4	302K305310	2K305310	SHEET OPERATION RIGHT E	1	1	1
5	302K305360	2K305360	SHEET OPERATION RIGHT F	1	1	
6	302K305380	2K305380	SHEET OPERATION RIGHT S	1	1	
7	302K305390	2K305390	SHEET OPERATION RIGHT P(B)	1	1	
8	302K305350	2K305350	SHEET OPERATION RIGHT G		1	
9	302K305370	2K305370	SHEET OPERATION RIGHT I		1	
10	302K305400	2K305400	SHEET OPERATION RIGHT N		1	
11	302K305410	2K305410	SHEET OPERATION RIGHT R		1	
12	302K005030	2K005030	SHEET OPERATION LEFT E	1	1	1
13	302K005050	2K005050	SHEET OPERATION LEFT S	1	1	
14	302K005060	2K005060	SHEET OPERATION LEFT F	1	1	
15	302K005070	2K005070	SHEET OPERATION LEFT P	1	1	
16	302K005080	2K005080	SHEET OPERATION LEFT G		1	
17	302K005090	2K005090	SHEET OPERATION LEFT I		1	
18	302K005100	2K005100	SHEET OPERATION LEFT N		1	
19	302K005110	2K005110	SHEET OPERATION LEFT R		1	
101	7BB702308H	BB107060	+TP-FLAT T.T S SCREW 3X8 SR			
102	7BB700308H	BB105600	+BIND T.T S SCREW 3X8 SR			

Parts with "•" are component parts or sub-assemblies of the assembly appearing immediately above them.

Parts with "••" are component parts or sub-assembly with "•" appearing immediately above them.

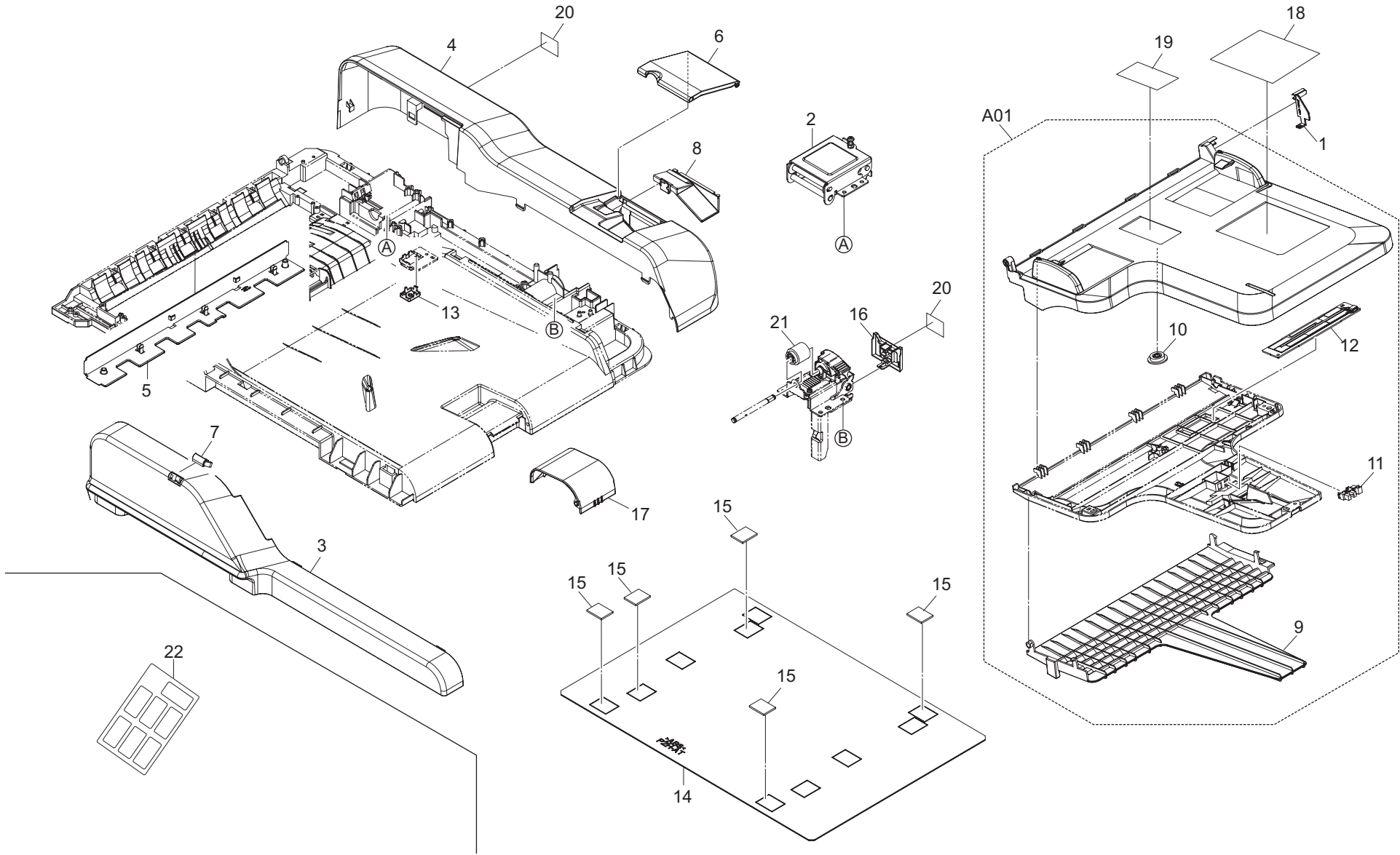


FIG. 17 Document Processor 1

2K0/2KZ

Ref. No.	Part.No.	Alternative Part.No.	Description	Quantity		
				120	230	240
1	303LL06100	3LL06100	COVER TABLE WIRE	1	1	1
2	303M802020	3M802020	LEFT HINGE	1	1	1
3	303M804010	3M804010	COVER FRONT	1	1	1
4	303M804020	3M804020	COVER REAR	1	1	1
5	303M804040	3M804040	COVER LEFT	1	1	1
6	303M804060	3M804060	LID REAR COVER	1	1	1
7	303M804070	3M804070	COVER LED	1	1	1
8	303M804080	3M804080	LID INNER COVER	1	1	1
A01	303M894060	3M894060	PARTS TABLE ASSY SP	1	1	1
9	•303M806050	3M806050	TRAY LOOP	1	1	1
10	•65907210	65907210	GEAR 20,CASSETTE	1	1	1
11	•303M894260	3M894260	PARTS SENSOR OPT SP	1	1	1
12	•303M894270	3M894270	PARTS PWB SIZE DETECTION ASSY SP	1	1	1
13	3HL02240	3HL02240	PUSH SW DP	1	1	1
14	303JC04200	3JC04200	PLATE ORIGINAL	1	1	1
15	303MX02021	3MX02021	CUSHION ORIGINAL MAT A	5	5	5
16	303M804090	3M804090	COVER HINGE	1	1	1
17	303M804050	3M804050	STOPPER EJECT	1	1	1
18	303M834110	3M834110	LABEL PAPER SET CAUTION ENG	1	1	1
19	303H605110	3H605110	LABEL MSP A	1	1	1
20	303M834070	3M834070	LABEL HINGE CAUTION	2	2	2
21	3AK20130	3AK20130	GEAR,WORM MAIN TRAY	1	1	1
22	303LL34190	3LL34190	LABEL FACE UP 7NATIONS	1	1	1

Parts with "•" are component parts or sub-assemblies of the assembly appearing immediately above them.

Parts with "••" are component parts or sub-assembly with "•" appearing immediately above them.

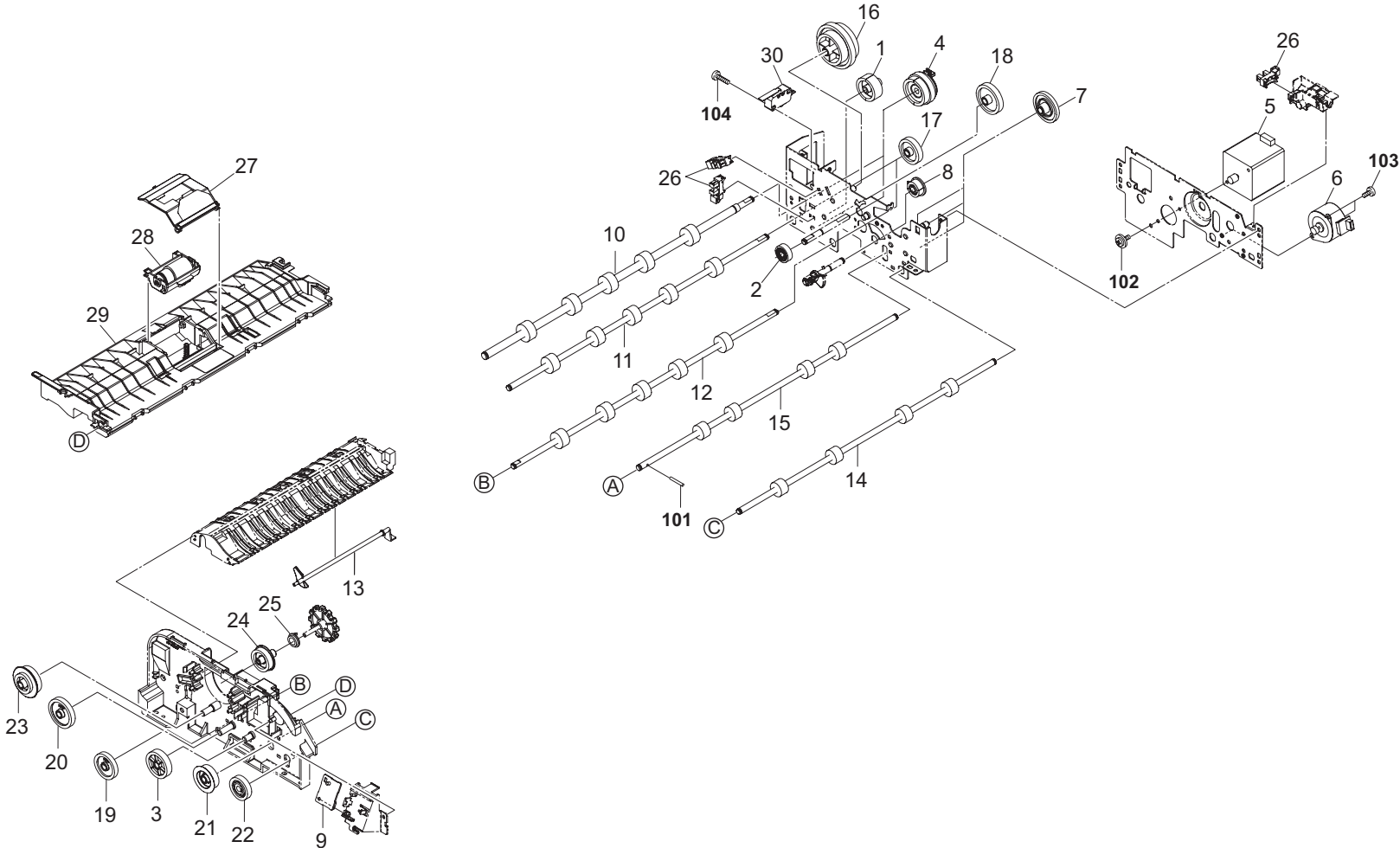


FIG. 18 Document Processor 2

2K0/2KZ

Ref. No.	Part.No.	Alternative Part.No.	Description	Quantity		
				120	230	240
1	302F914160	2F914160	GEAR Z30H	1	1	1
2	302H731700	2H731700	GEAR Z21 CONT	1	1	1
3	302H731730	2H731730	GEAR Z34L MIDDLE	1	1	1
4	303M894090	3M894090	PARTS CLUTCH 50 Z35R SP	2	2	2
5	302KY44010	2KY44010	MOTOR IMAGE	1	1	1
6	302KY44090	2KY44090	MOTOR ROTARY	1	1	1
7	303H622331	3H622331	GEAR 20/65 IDLE	3	3	3
8	303LL31260	3LL31260	GEAR Z32S LIFT	1	1	1
9	303M894100	3M894100	PARTS PWB LED ASSY SP	1	1	1
10	303M894110	3M894110	PARTS ROLLER REGISTRATION SP	1	1	1
11	303M894120	3M894120	PARTS ROLLER CONVEYING A SP	1	1	1
12	303M894130	3M894130	PARTS ROLLER CONVEYING B SP	1	1	1
13	303M824110	3M824110	ACTUATOR REGISTRATION	1	1	1
14	303M894140	3M894140	PARTS ROLLER EXIT SP	1	1	1
15	303M894150	3M894150	PARTS ROLLER LOOP SP	1	1	1
16	303M894160	3M894160	PARTS GEAR Z41L Z58L Z76L SP	1	1	1
17	303M894170	3M894170	PARTS GEAR Z32R SP	2	2	2
18	303M894180	3M894180	PARTS GEAR Z38L SP	1	1	1
19	303M894190	3M894190	PARTS GEAR Z33L SP	1	1	1
20	303M894200	3M894200	PARTS GEAR Z34R Z26S SP	1	1	1
21	303M894210	3M894210	PARTS GEAR Z29R SP	1	1	1
22	303M894220	3M894220	PARTS GEAR Z29L ONEWAY SP	1	1	1
23	303M894240	3M894240	PARTS GEAR Z39S SP	1	1	1
24	303M894250	3M894250	PARTS GEAR LF Z29S SP	1	1	1
25	36211500	36211500	GEAR,LEADING FEED JOINT	1	1	1
26	303M894260	3M894260	PARTS SENSOR OPT SP	3	3	3
27	303M894030	3M894030	RETARD GUIDE (DP) (service only)	1	1	1
28	303M894040	3M894040	RETARD ROLLER (DP) (service only)	1	1	1
29	303M894070	3M894070	PARTS GUIDE PF ASSY SP	1	1	1
30	2FB27160	2FB27160	INTER LOCK SWITCH	1	1	1
101	5MBP2010PXLJ	EP120100	PARALLEL PIN H7 / M2 X 10 SUS			
102	7BB607306H	BB105770	+TP-CUP M SCREW 3X6 R			
103	7BB700308H	BB105600	+BIND T.T S SCREW 3X8 SR			
104	7BB700316H	BB106910	+BIND T.T S SCREW 3X16 SR			

Parts with "•" are component parts or sub-assemblies of the assembly appearing immediately above them.

Parts with "••" are component parts or sub-assembly with "•" appearing immediately above them.

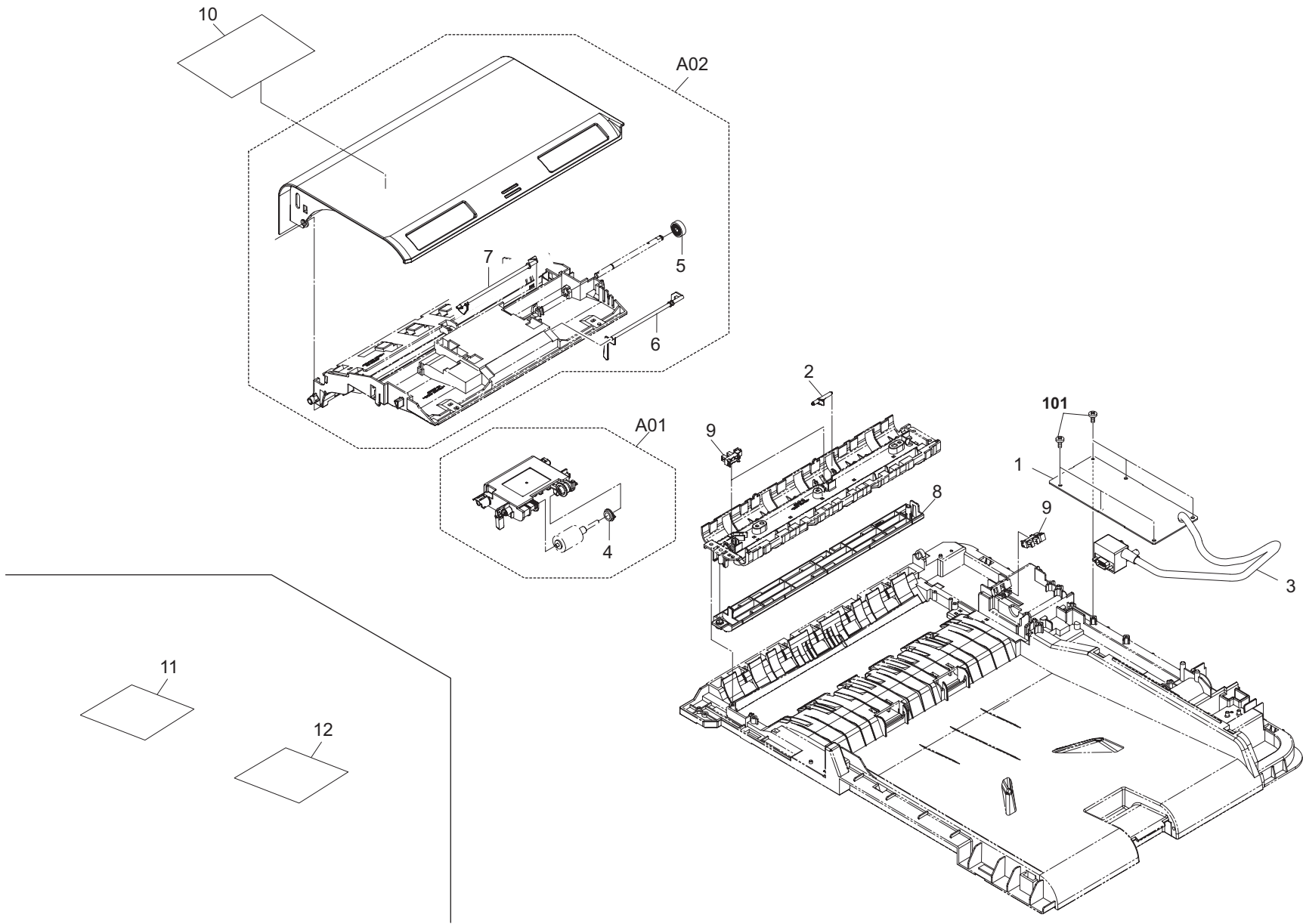


FIG. 19 Document Processor 3

2K0/2KZ

Ref. No.	Part.No.	Alternative Part.No.	Description	Quantity		
				120	230	240
1	303M894010	3M894010	PARTS PWB DRIVE ASSY SP	1	1	1
2	303M824190	3M824190	ACTUATOR TIMING	1	1	1
3	303M846010	3M846010	WIRE INTERFACE	1	1	1
A01	303M894020	3M894020	FEED ROLLER (DP) (service only)	1	1	1
4	•36211500	36211500	GEAR,LEADING FEED JOINT	1	1	1
A02	303M894050	3M894050	PARTS COVER PF ASSY SP	1	1	1
5	•302H731700	2H731700	GEAR Z21 CONT	1	1	1
6	•303M807060	3M807060	ACTUATOR ORIGINAL SET	1	1	1
7	•303M824090	3M824090	ACTUATOR FEED	1	1	1
8	303M894080	3M894080	PARTS GUIDE READING ASSY SP	1	1	1
9	303M894260	3M894260	PARTS SENSOR OPT SP	3	3	3
10	303M834090	3M834090	LABEL CAUTION ENG	1	1	1
11	303M834121	3M834121	LABEL CAUTION SET 3NATIONS	1	1	
12	303M834131	3M834131	LABEL CAUTION SET 4NATIONS		1	
101	7BB200308H	BB105660	+BIND T.T P SCREW 3X8			

Parts with "•" are component parts or sub-assemblies of the assembly appearing immediately above them.

Parts with "••" are component parts or sub-assembly with "•" appearing immediately above them.

FIG. 20 Maintenance Kits

2K0/2KZ

Ref. No.	Part.No.	Alternative Part.No.	Description	Quantity		
				120	230	240
	1702K00UN0	072K00UN	MK-895B/MAINTENANCE KIT(OPTION)	1	1	1
			DK-895	3	3	3
			DV-895C	1	1	1
			DV-895M	1	1	1
			DV-895Y	1	1	1
	1702K00UN1	072K00U1	MK-895A/MAINTENANCE KIT(OPTION)	1	1	1
			TR-895B	1	1	1
			DK-895	1	1	1
			DV-895K	1	1	1
			TR-895A	1	1	1
			FK-895	1	1	1
			PRIMARY FEED UNIT	1	1	1
			SEPARATION PAD(service only)	1	1	1
			MPF ROLLER(service only)	1	1	1
	1703M80UN0	073M80UN	MK-470/MAINTENANCE KIT(OPTION) (for customer)	1	1	1
			FEED ROLLER (DP) (service only)	1	1	1
			RETARD GUIDE (DP) (service only)	1	1	1
			RETARD ROLLER (DP) (service only)	1	1	1

Parts with "•" are component parts or sub-assemblies of the assembly appearing immediately above them.

Parts with "••" are component parts or sub-assembly with "•" appearing immediately above them.

INDEX

2K0/2KZ

Part.No.	Alternative	Description	Fig.No.
1702K00UN0	072K00UN	MK-895B/MAINTENANCE KIT	20
1702K00UN1	072K00U1	MK-895A/MAINTENANCE KIT	20
1703M80UN0	073M80UN	MK-470/MAINTENANCE KIT	20
2AR27800	2AR27800	POWER CORD(230)	2
2FB27160	2FB27160	INTER LOCK SWITCH	3,18
3019527401	19527401	POWER CORD(120)	2
302F914160	2F914160	GEAR Z30H	18
302FZ94380	2FZ94380	PARTS,FAN COOLING DLP 70 SP	14
302FZ94420	2FZ94420	PARTS,FAN COOLING CONVEYING SP	14
302H004560	2H004560	STOPPER PAPER	1
302H731700	2H731700	GEAR Z21 CONT	18,19
302H731730	2H731730	GEAR Z34L MIDDLE	18
302HG44110	2HG44110	FAN MOTOR 50	14
302HG44120	2HG44120	FAN MOTOR PS40	14
302HN44010	2HN44010	FAN MOTOR	14
302HN44100	2HN44100	MOTOR REVERSE	6
302HN44210	2HN44210	FAN MOTOR	7
302HS31120	2HS31120	GEAR Z27L CLUTCH	5
302K002230	2K002230	ACTUATOR PAPER EMPTY	2
302K002880	2K002880	WORM-WHEEL ID SENSOR CLEANING	2
302K002890	2K002890	GEAR ID SENSOR CLEANING Z71R	2
302K003060	2K003060	GEAR SCREW WASTE Z13L	3
302K003110	2K003110	GEAR WASTE Z13L	3
302K003280	2K003280	SEAL CASE WASTE C	3
302K004020	2K004020	COVER FRONT TOP	1
302K004030	2K004030	COVER TRAY	1
302K004040	2K004040	COVER EXIT REAR	1
302K004050	2K004050	COVER EXIT FRONT	1
302K004060	2K004060	COVER RIGHT REAR	1
302K004100	2K004100	COVER LEFT LOW	1
302K004110	2K004110	COVER LEFT TOP	1
302K004120	2K004120	COVER ISU FRONT	8
302K004170	2K004170	LID CONTROLLER BOX	1
302K004180	2K004180	COVER TRAY LEFT	1
302K005030	2K005030	SHEET OPERATION LEFT E	16
302K005050	2K005050	SHEET OPERATION LEFT S	16
302K005060	2K005060	SHEET OPERATION LEFT F	16
302K005070	2K005070	SHEET OPERATION LEFT P	16
302K005080	2K005080	SHEET OPERATION LEFT G	16
302K005090	2K005090	SHEET OPERATION LEFT I	16

Part.No.	Alternative	Description	Fig.No.
302K005100	2K005100	SHEET OPERATION LEFT N	16
302K005110	2K005110	SHEET OPERATION LEFT R	16
302K015030	2K015030	GEAR Z20S-Z26L	3
302K015040	2K015040	GEAR Z50S	3
302K015230	2K015230	GEAR IDLE Z22S	2
302K015240	2K015240	GEAR JOINT Z26S	2
302K026120	2K026120	GEAR IDLE Z20S	2
302K028080	2K028080	ACTUATOR EXIT OVERFLOW LOW	6
302K028090	2K028090	ACTUATOR EXIT OVERFLOW UP	6
302K028260	2K028260	GEAR Z23S EXIT	6
302K031720	2K031720	GEAR BELT CLEANING DRIVE Z30L	2
302K031740	2K031740	GEAR BELT CLEANING DRIVE Z20L	2
302K046330	2K046330	FFC ENGINE1-2 SIG	15
302K046880	2K046880	FFC ENGINE-MAIN	15
302K093010	2K093010	DK-895	11
302K093020	2K093020	DV-895Y	10
302K093030	2K093030	DV-895M	10
302K093040	2K093040	DV-895C	10
302K093050	2K093050	DV-895K	10
302K093060	2K093060	LK-895	9
302K093070	2K093070	TR-895A	12
302K093080	2K093080	TR-895B	7
302K093090	2K093090	FK-895	13
302K093100	2K093100	MC-895	11
302K093110	2K093110	WT-895	1
302K093120	2K093120	DR-895A	14
302K093130	2K093130	DR-895B	14
302K093140	2K093140	DR-895C	14
302K093150	2K093150	PARTS MOUNT LED ASSY	8
302K093160	2K093160	PARTS ISU	8
302K094010	2K094010	PARTS EXIT UNIT SP	6
302K094020	2K094020	PARTS CONVEYING UNIT SP	7
302K094030	2K094030	PARTS COVER RIGHT ASSY SP	7
302K094040	2K094040	PARTS PIPE TRANSFER CLEANING ASSY SP	2
302K094050	2K094050	PARTS TONER SUPPLY ASSY SP	2
302K094060	2K094060	PARTS COVER FRONT ASSY 25 E SP	1
302K094070	2K094070	PARTS OPERATION UNIT SP	16
302K094090	2K094090	PARTS MOTOR-DC ASSY C SP	3,9
302K094100	2K094100	PARTS DC MOTOR SP	2
302K094110	2K094110	PARTS PWB IH 100 ASSY SP	15

Part.No.	Alternative	Description	Fig.No.
302K094120	2K094120	PARTS PWB IH 200 ASSY SP	15
302K094130	2K094130	PARTS PWB MAIN ASSY SP	15
302K094140	2K094140	PARTS PWB MAIN ASSY SP EU	15
302K094160	2K094160	PARTS PWB ENGINE ASSY SP	15
302K094170	2K094170	PARTS PWB LSU CONNECT ASSY SP	9
302K094180	2K094180	PARTS PWB DRUM DLP CONNECT ASSY SP	2
302K094190	2K094190	PARTS PWB TRANSFER CONNECT ASSY SP	15
302K094200	2K094200	PARTS PWB RFID ASSY SP	15
302K094210	2K094210	PARTS PWB ENGINE CONNECT ASSY SP	15
302K094220	2K094220	PARTS PWB PANEL MAIN ASSY SP	16
302K094240	2K094240	PARTS LVU MAIN 100 SP	15
302K094250	2K094250	PARTS LVU MAIN 200 SP	15
302K094260	2K094260	PARTS HVU1 SP	15
302K094270	2K094270	PARTS HVU2 SP	15
302K094280	2K094280	PARTS TONER FULL DETECT ASSY SP	3
302K094290	2K094290	PARTS ID SENSOR ASSY ASSY SP	2
302K094300	2K094300	PARTS FAN MOTOR SP	15
302K094310	2K094310	PARTS FAN MOTOR SP	2
302K094320	2K094320	PARTS CLUTCH 50 Z45L SP	14
302K094330	2K094330	PARTS ROLLER MIDDLE SP	5
302K094340	2K094340	PARTS ROLLER EXIT FD SP	6
302K094350	2K094350	PARTS ROLLER EXIT REVERSE SP	6
302K094360	2K094360	PARTS COVER FRONT ASSY 25 J/A SP	1
302K094370	2K094370	PARTS COVER REAR ASSY SP	1
302K094380	2K094380	PARTS COVER RIGHT TOP ASSY SP	1
302K094390	2K094390	PARTS ROLLER DU B SP	7
302K094400	2K094400	REGIST CLEANER	5
302K302430	2K302430	HEATER DEHUMIDIFIER 120	3
302K302440	2K302440	HEATER DEHUMIDIFIER 240	3
302K302830	2K302830	ACTUATOR DECK FEED	2
302K304070	2K304070	COVER RIGHT LOW	1
302K304130	2K304130	COVER ISU LEFT	8
302K304150	2K304150	COVER ISU REAR	8
302K304290	2K304290	COVER EXIT FRONT TOP	1
302K305020	2K305020	COVER OPERATION LOW	16
302K305310	2K305310	SHEET OPERATION RIGHT E	16
302K305350	2K305350	SHEET OPERATION RIGHT G	16
302K305360	2K305360	SHEET OPERATION RIGHT F	16
302K305370	2K305370	SHEET OPERATION RIGHT I	16
302K305380	2K305380	SHEET OPERATION RIGHT S	16

Part.No.	Alternative	Description	Fig.No.
302K305390	2K305390	SHEET OPERATION RIGHT P(B)	16
302K305400	2K305400	SHEET OPERATION RIGHT N	16
302K305410	2K305410	SHEET OPERATION RIGHT R	16
302K306140	2K306140	ACTUATOR REGIST	5
302K308020	2K308020	ACTUATOR MPF	5
302K309080	2K309080	COVER CASSETTE	4
302K309120	2K309120	CURSOR CASSETTE REAR	4
302K309130	2K309130	CURSOR CASSETTE FRONT	4
302K309270	2K309270	CURSOR END	4
302K309410	2K309410	PLATE SIZE DETECTION	3
302K317250	2K317250	SWITCH RELEASE	8
302K317350	2K317350	GEAR Z54	8
302K328300	2K328300	TRAY EJECT	6
302K329040	2K329040	ACTUATOR DU	7
302K334090	2K334090	SHEET CASSETTE C	4
302K334100	2K334100	SHEET CASSETTE I	4
302K346400	2K346400	FFC MAIN-LED LAMP	8
302K346410	2K346410	FFC MAIN-CCD	8
302K393170	2K393170	CT-475	4
302K394150	2K394150	PARTS LVU SUB 100 SP	15
302K394160	2K394160	PARTS LVU SUB 200 SP	15
302K394170	2K394170	PARTS LCD COLOR SP	16
302K394180	2K394180	PARTS SWITCH EXIT PAPER EMPTY SP	6
302K394190	2K394190	PARTS MOTOR LIFT ASSY SP	2
302K394210	2K394210	PARTS MOTOR ISU SP	8
302K394220	2K394220	PARTS ROLLER REGIST RIGHT SP	7
302K394230	2K394230	PARTS ROLLER REGIST LEFT SP	5
302K394250	2K394250	PARTS ROLLER DU SP	7
302K394310	2K394310	PARTS GEAR REGIST Z28L-Z18L SP	5
302K394320	2K394320	PARTS GEAR MPF Z28 SP	5
302K394330	2K394330	PARTS GEAR REGIST Z24R SP	7
302K394340	2K394340	PARTS GEAR Z74R-Z22S EXIT SP	6
302K394350	2K394350	PARTS GEAR Z22S EXIT SP	6
302K394370	2K394370	PARTS GEAR Z18-Z63R SP	8
302K394380	2K394380	PARTS GEAR Z18 SP	4
302K394400	2K394400	PARTS GEAR DU Z27L SP	7
302K394460	2K394460	MPF ROLLER	5
302K394470	2K394470	PARTS MPF TABLE ASSY SP	7
302K394480	2K394480	PRIMARY FEED UNIT	5
302K394490	2K394490	SEPARATION PAD	5

Part.No.	Alternative	Description	Fig.No.
302K394500	2K394500	PARTS MPF UNIT	5
302K394550	2K394550	PARTS CONTACT-GLASS ASSY(C) SP	8
302K394560	2K394560	PARTS CONTACT-GLASS ASSY(I) SP	8
302K394590	2K394590	PARTS COVER ISU RIGHT ASSY A SP	8
302K394620	2K394620	MPF ROLLER-PAD SET	5
302K994320	2K994320	PARTS MOTOR-BL W20 SP	14
302K994520	2K994520	PARTS GEAR Z32L SP	9
302KP29090	2KP29090	GEAR IDLE Z18S	6
302KV94360	2KV94360	PARTS PWB ASSY THERMISTOR SP	15
302KY44010	2KY44010	MOTOR IMAGE	18
302KY44090	2KY44090	MOTOR ROTARY	18
302KZ94010	2KZ94010	PARTS COVER FRONT ASSY 20 E SP	1
302KZ94020	2KZ94020	PARTS COVER FRONT ASSY 20 J/A SP	1
302LC93080	2LC93080	FK-100	13
302LC93090	2LC93090	FK-200	13
302LC94280	2LC94280	PARTS MOTOR-BL W40 SP	14
302LC943000	2LC94300	PARTS MOTOR-BL W20 DRUM SP	14
302LC94380	2LC94380	PARTS FAN COOLING LSU 60 SP	14
303H605110	3H605110	LABEL MSP A	17
303H622331	3H622331	GEAR 20/65 IDLE	18
303JC04200	3JC04200	PLATE ORIGINAL	17
303LJ94150	3LJ94150	PARTS SOLENOID FEED SHIFT SP	6
303LL06100	3LL06100	COVER TABLE WIRE	17
303LL31260	3LL31260	GEAR Z32S LIFT	18
303LL34190	3LL34190	LABEL FACE UP 7NATIONS	17
303M802020	3M802020	LEFT HINGE	17
303M804010	3M804010	COVER FRONT	17
303M804020	3M804020	COVER REAR	17
303M804040	3M804040	COVER LEFT	17
303M804050	3M804050	STOPPER EJECT	17
303M804060	3M804060	LID REAR COVER	17
303M804070	3M804070	COVER LED	17
303M804080	3M804080	LID INNER COVER	17
303M804090	3M804090	COVER HINGE	17
303M806050	3M806050	TRAY LOOP	17
303M807060	3M807060	ACTUATOR ORIGINAL SET	19
303M824090	3M824090	ACTUATOR FEED	19
303M824110	3M824110	ACTUATOR REGISTRATION	18
303M824190	3M824190	ACTUATOR TIMING	19
303M834070	3M834070	LABEL HINGE CAUTION	17

Part.No.	Alternative	Description	Fig.No.
303M834090	3M834090	LABEL CAUTION ENG	19
303M834110	3M834110	LABEL PAPER SET CAUTION ENG	17
303M834121	3M834121	LABEL CAUTION SET 3NATIONS	19
303M834131	3M834131	LABEL CAUTION SET 4NATIONS	19
303M846010	3M846010	WIRE INTERFACE	19
303M894010	3M894010	PARTS PWB DRIVE ASSY SP	19
303M894020	3M894020	FEED ROLLER (DP)	19
303M894030	3M894030	RETARD GUIDE (DP)	18
303M894040	3M894040	RETARD ROLLER (DP)	18
303M894050	3M894050	PARTS COVER PF ASSY SP	19
303M894060	3M894060	PARTS TABLE ASSY SP	17
303M894070	3M894070	PARTS GUIDE PF ASSY SP	18
303M894080	3M894080	PARTS GUIDE READING ASSY SP	19
303M894090	3M894090	PARTS CLUTCH 50 Z35R SP	18
303M894100	3M894100	PARTS PWB LED ASSY SP	18
303M894110	3M894110	PARTS ROLLER REGISTRATION SP	18
303M894120	3M894120	PARTS ROLLER CONVEYING A SP	18
303M894130	3M894130	PARTS ROLLER CONVEYING B SP	18
303M894140	3M894140	PARTS ROLLER EXIT SP	18
303M894150	3M894150	PARTS ROLLER LOOP SP	18
303M894160	3M894160	PARTS GEAR Z41L Z58L Z76L SP	18
303M894170	3M894170	PARTS GEAR Z32R SP	18
303M894180	3M894180	PARTS GEAR Z38L SP	18
303M894190	3M894190	PARTS GEAR Z33L SP	18
303M894200	3M894200	PARTS GEAR Z34R Z26S SP	18
303M894210	3M894210	PARTS GEAR Z29R SP	18
303M894220	3M894220	PARTS GEAR Z29L ONEWAY SP	18
303M894240	3M894240	PARTS GEAR Z39S SP	18
303M894250	3M894250	PARTS GEAR LF Z29S SP	18
303M894260	3M894260	PARTS SENSOR OPT SP	17,18,19
303M894270	3M894270	PARTS PWB SIZE DETECTION ASSY SP	17
303MX02021	3MX02021	CUSHION ORIGINAL MAT A	17
36211500	36211500	GEAR,LEADING FEED JOINT	18,19
3AK20130	3AK20130	GEAR,WORM MAIN TRAY	17
3HL02240	3HL02240	PUSH SW DP	17
5ESP03090001+01	SP000360	PUSH SWITCH 03 SN /SW-192 N	3
65907210	65907210	GEAR 20,CASSETTE	17
7AAACCAS+10H001	AA063380	AC CORD ASSY AS	2
7NXGP1S173LCH01	NX116910	SENSOR OPT.	2,3,5,6,7,8
7SC010105+++H01	SC125000	SW.SEESAW	3

Part.No.	Alternative	Description	Fig.No.
7SM010101+++H01 7SM010303+++H01 7SP01000001+H01	SM042310 SM037910 SP044290	SW.MICRO SW.MICRO SW.PUSH	3 3 3

KYOCERA MITA EUROPE B.V.

Bloemlaan 4, 2132 NP Hoofddorp,
The Netherlands
Phone: +31.20.654.0000
Home page: <http://www.kyoceramita-europe.com>
Email: info@kyoceramita-europe.com

KYOCERA MITA NEDERLAND B.V.
Beechavenue 25, 1119RA Schiphol-Rijk
The Netherlands
Phone: +31.20.58.77.200

KYOCERA MITA (UK) LTD
8 Beacontree Plaza
Gillette Way Reading Berks RG2 0BS,
U.K.
Phone: +44.1189.311.500

KYOCERA MITA ITALIA S.p.A.
Via G. Verdi, 89 / 91, 20063 Cernusco s/N
Milano, Italy
Phone: +39.02.92179.1

S.A. KYOCERA MITA BELGIUM N.V.
Sint-Martinusweg 199-201, 1930 Zaventem,
Belgium
Phone: +32.2.720.9270

KYOCERA MITA FRANCE S.A.
Espace Technologique de St Aubin
Route de l' Orme
91195 Gif-sur-Yvette CEDEX, France
Phone: +33.1.6985.2600

KYOCERA MITA ESPAÑA S.A.
Edificio Kyocera, Avda de Manacor No. 2,
28290 Las Matas (Madrid),
Spain
Phone: +34.91.631.8392

KYOCERA MITA FINLAND OY
Atomitie 5C, 00370 Helsinki,
Finland
Phone: +358.9.4780.5200

KYOCERA MITA (SCHWEIZ)
Hohlstrasse 614, 8048 Zürich
Switzerland
Phone: +41.44.908.4949

KYOCERA MITA DEUTSCHLAND GMBH
Otto-Hahn-Str. 12 D-40670 Meerbusch,
Germany
Phone: +49.2159.918.0

KYOCERA MITA GMBH AUSTRIA
Eduard-Kittenberger-Gasse 95,
1230 Wien,
Austria
Phone: +43.1.86338

KYOCERA MITA SVENSKA AB
Esbogatan 16B 164 75 Kista,
Sweden
Phone: +46.8.546.55000

KYOCERA MITA NORGE
Postboks 150 Oppsal, NO 0619 Oslo
Olaf Helsetsvei 6, NO 0694 Oslo,
Norway
Phone: +47.22.62.73.00

KYOCERA MITA DANMARK A/S
Ejby Industrivej 60, DK-2600 Glostrup,
Denmark
Phone: +45.7022.3880

KYOCERA MITA PORTUGAL LDA.
Rua do Centro Cultural, 41 (Alvalade) 1700-106 Lisboa,
Portugal
Phone: +351.21.843.6780

KYOCERA MITA SOUTH AFRICA (PTY) LTD.
49 Kyalami Boulevard,
Kyalami Business Park Midrand,
South Africa
Phone: +27.(0)11.540.2600

KYOCERA MITA AMERICA, INC.

Headquarters:
225 Sand Road,
Fairfield, New Jersey 07004-0008,
U.S.A.
Phone: (973) 808-8444

KYOCERA MITA AUSTRALIA PTY. LTD.
Level 3, 6-10 Talavera Road, North Ryde,
N.S.W. 2113 Australia
Phone: (02) 9888-9999

KYOCERA MITA NEW ZEALAND LTD.
1-3 Parkhead Place, Albany
P.O. Box 302 125 NHPC, Auckland,
New Zealand
Phone: (09) 415-4517

KYOCERA MITA Asia Limited

16/F., Mita Centre,
552-566, Castle Peak Road,
Tsuen Wan, New Territories, Hong Kong
Phone: (852)-2610-2181

KYOCERA MITA Corporation

2-28, 1-chome, Tamatsukuri, Chuo-ku
Osaka 540-8585, Japan
Phone: (06) 6764-3555
<http://www.kyoceramita.com>

KYOCERA MITA AMERICA, INC.

Headquarters:

225 Sand Road,
Fairfield, New Jersey 07004-0008
TEL : (973) 808-8444
FAX : (973) 882-6000

New York Branch:

30-30 47th Avenue
Long Island City, NY 11101
TEL : (718) 289-2500
FAX : (718) 289-2501

Northeastern Region:

225 Sand Road,
Fairfield, New Jersey 07004-0008
TEL : (973) 808-8444
FAX : (973) 882-4401

Midwestern Region:

201 Hansen Court Suite 119
Wood Dale, Illinois 60191
TEL : (630) 238-9982
FAX : (630) 238-9487

Western Region:

14101 Alton Parkway,
Irvine, California 92618-7006
TEL : (949) 457-9000
FAX : (949) 457-9119

Southeastern Region:

3100 Breckinridge Blvd. NW Building 100,
Suite 105 Duluth, Georgia 30096
TEL : (770) 729-9786
FAX : (770) 729-9873

Southwestern Region:

2825 West Story Road,
Irving, Texas 75038-5299
TEL : (972) 550-8987
FAX : (972) 570-4704

National Operation Center & National Training Center:

2825 West Story Road,
Irving, Texas 75038-5299
TEL : (972) 659-0055
FAX : (972) 570-5816

Latin America Division:

8240 N.W. 52nd. Terrace Dawson Building,
Suite 108 Miami, Florida 33166
TEL : (305) 421-6640
FAX : (305) 421-6666

KYOCERA MITA CANADA, LTD.

6120 Kestrel Road, Mississauga,
Ontario L5T 1S8, Canada
TEL : (905) 670-4425
FAX : (905) 670-8116

KYOCERA MITA MEXICO, S.A. DE C.V.

Av. 16 de Septiembre #407
Col. Santa Inés,
Azcapotzalco México,
D.F. 02130, México
TEL : (55) 5383-2741
FAX : (55) 5383-7804

KYOCERA MITA Brazil Ltda.

Av. Tambore, 1180 Mob.B-09 CEP 06460-000
Tambore-Barveri-SP,
Brazil
TEL : (55) 11-4195-8496
FAX : (55) 11-4195-6167

KYOCERA MITA Asia Limited

16/F., Mita Centre,
552-566, Castle Peak Road,
Tsuen Wan, New Territories, Hong Kong
Phone: (852)-2610-2181

KYOCERA MITA (Thailand) Corp., Ltd.

335 Ratchadapisek Road, Bangsue,
Bangkok, 10800, Thailand
Phone: (66)-2-586-0333

KYOCERA MITA Singapore Pte Ltd.

121 Genting Lane, 3rd Level,
Singapore 349572
Phone: (65)-6741-8733

KYOCERA MITA Hong Kong Limited

16/F., Mita Centre,
552-566, Castle Peak Road,
Tsuen Wan, New Territories,
Hong Kong
Phone: (852)-2429-7422

KYOCERA MITA Taiwan Corporation

6F., No.37, Sec. 3, Minquan E. Rd.,
Zhongshan Dist., Taipei 104, Taiwan R.O.C.
Phone: (886)-2-2507-6709

KYOCERA MITA Korea Co., Ltd.

18F, Kangnam bldg, 1321-1,
Seocho-Dong, Seocho-Gu, Seoul, Korea
Phone: (822)-6933-4050

KYOCERA MITA India Private Limited

First Floor, ORCHID CENTRE
Sector-53, Golf Course Road, Gurgaon 122
002, India
Phone: (91)-0124-4671000

©2010 KYOCERA MITA Corporation

 is a trademark of Kyocera Corporation