



ECOSYS FS-2100D
ECOSYS FS-2100DN
ECOSYS FS-4100DN
ECOSYS FS-4200DN
ECOSYS FS-4300DN

PARTS LIST

Published in August 2012
2LVPL070
First Edition

———— CONTENTS ————

FIG. 1	Covers	2
FIG. 2	Frames	4
FIG. 3	Paper Cassette	6
FIG. 4	Paper Feed Section	8
FIG. 5	Image Formation Section	10
FIG. 6	Developer Section	12
FIG. 7	Fuser Section	14
FIG. 8	Exit Section	16
FIG. 9	Drive Section	18
FIG. 10	PT-320	20
FIG. 11	Maintenance Kits	22
	• INDEX	23

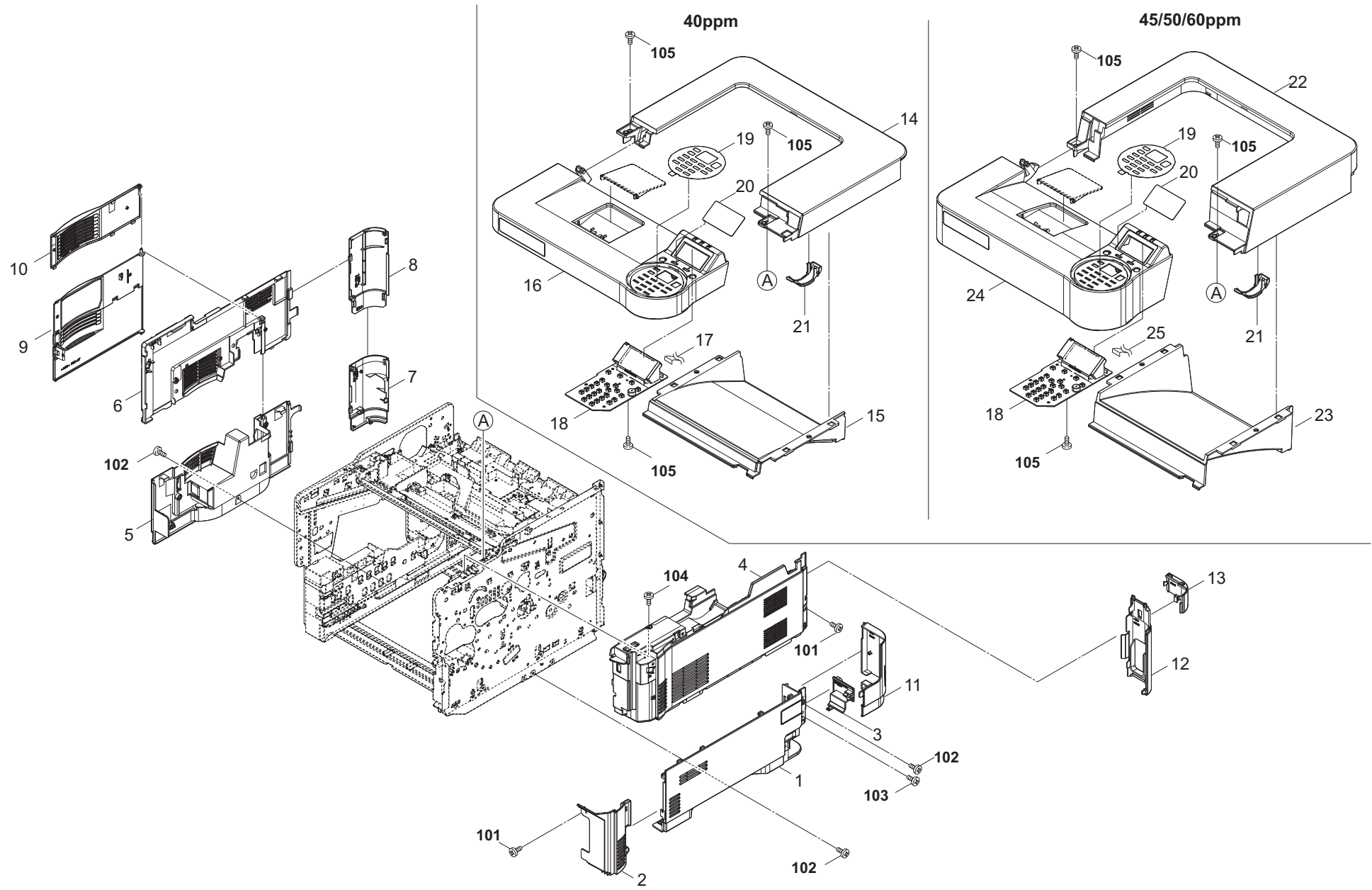


FIG. 1 Covers

2L1/2L2/2LV/2MS/2MT

Ref. No.	Part.No.	Alternative.	Description	Notes	Quantity		
					120	230	240
1	302LV04070	2LV04070	COVER RIGHT LOW		1	1	1
2	302LV04080	2LV04080	COVER RIGHT FRONT		1	1	1
3	302LV04270	2LV04270	COVER RIGHT REAR		1	1	1
4	302LV94290	2LV94290	PARTS COVER RIGHT UP ASSY SP		1	1	1
5	302LV04050	2LV04050	COVER LEFT LOW		1	1	1
6	302LV04040	2LV04040	COVER LEFT UP		1	1	1
7	302LV04260	2LV04260	COVER LEFT LOW REAR		1	1	1
8	302LV04250	2LV04250	COVER LEFT UP REAR		1	1	1
9	302LV04190	2LV04190	COVER SIDE LOW		1	1	1
10	302LV04170	2LV04170	COVER SIDE UP		1	1	1
11	302LV04150	2LV04150	COVER CONT LOW		1	1	1
12	302LV04140	2LV04140	COVER CONT MIDDLE		1	1	1
13	302LV04130	2LV04130	COVER CONT UP		1	1	1
14	302L294010	2L294010	PARTS COVER TOP ASSY	40ppm	1	1	1
15	302L294110	2L294110	PARTS TRAY TOP ASSY SP	40ppm	1	1	1
16	302L294020	2L294020	PARTS LID TOP ASSY SP	40ppm without network	1	1	1
16	302MS94010	2MS94010	PARTS LID TOP ASSY SP	40ppm with network	1	1	1
17	302L246080	2L246080	CONN.CORD ASSY S03781	40ppm	1	1	1
18	302LV94050	2LV94050	PARTS PWB ASSY PANEL SP		1	1	1
19	302LV05140	2LV05140	SHEET OPE E		1	1	1
19	302LV05150	2LV05150	SHEET OPE GER			1	
19	302LV05160	2LV05160	SHEET OPE FRA		1	1	
19	302LV05170	2LV05170	SHEET OPE ITA			1	
19	302LV05180	2LV05180	SHEET OPE SPA		1	1	
19	302LV05190	2LV05190	SHEET OPE POR		1	1	
19	302LV05200	2LV05200	SHEET OPE DUT			1	
19	302LV05210	2LV05210	SHEET OPE RUS			1	
20	302LV04290	2LV04290	PANEL LCD		1	1	1
21	302LV04280	2LV04280	COVER CABLE		1	1	1
22	302LV94010	2LV94010	PARTS COVER TOP ASSY SP	45/50/60ppm	1	1	1
23	302LV94280	2LV94280	PARTS TRAY TOP ASSY SP	45/50/60ppm	1	1	1
24	302LV94020	2LV94020	PARTS LID TOP ASSY SP	60ppm	1	1	1
24	302L194010	2L194010	PARTS LID TOP ASSY SP	50ppm	1	1	1
24	302MT94010	2MT94010	PARTS LID TOP ASSY SP	45ppm	1	1	1
25	302LV46300	2LV46300	CONN.CORD ASSY S03682	45/50/60ppm	1	1	1
101	7BB700308H	BB105600	+BIND T.T S SCREW 3X8 SR				
102	7BB780308H	BB111200	+BIND T.T S SCREW 3X8 SR(BLACK)				
103	7BB282308H	BB111240	+TP-FLAT T.T P SCREW 3X8(BLACK)				
104	7BB700312H	BB106820	+BIND T.T S SCREW 3X12 SR				
105	7BB200308H	BB105660	+BIND T.T P SCREW 3X8				

•Parts with Ref.No. indicate maintenance parts and the ones without it indicate out of the above.

•Parts with "-" are component parts or sub-assemblies of the assembly appearing immediately above them.

•Parts with "••" are component parts or sub-assembly with "•" appearing immediately above them.

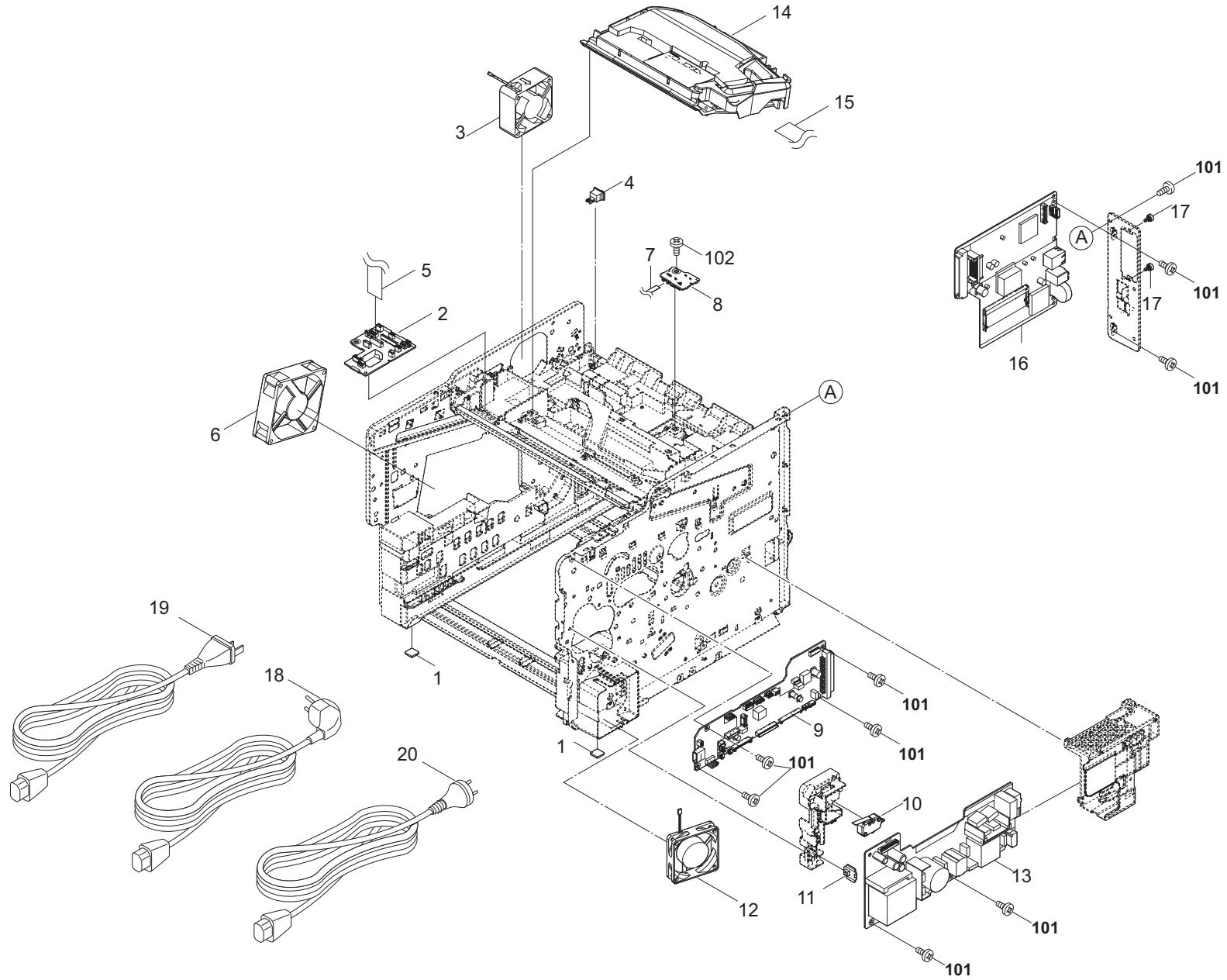


FIG. 2 Frames

2L1/2L2/2LV/2MS/2MT

Ref. No.	Part.No.	Alternative.	Description	Notes	Quantity		
					120	230	240
1	302HN02611	2HN02611	FOOT		2	2	2
2	302LV94190	2LV94190	PARTS PWB ASSY CONNECT-L SP	45/50/60ppm	1	1	1
2	302L294090	2L294090	PARTS PWB ASSY CONNECT-L SP	40ppm	1	1	1
3	302GR44080	2GR44080	FAN LSU 60-25		1	1	1
4	7SP01000006+H01	SP121020	SW.PUSH	45/50/60ppm	1	1	1
5	302LV46140	2LV46140	CONN.CORD ASSY S03666	45/50/60ppm	1	1	1
5	302L246060	2L246060	CONN.CORD ASSY S03720	40ppm	1	1	1
6	302HN44010	2HN44010	FAN MOTOR		1	1	1
7	302LV46420	2LV46420	CONN.CORD ASSY S03737		1	1	1
8	302LV94220	2LV94220	PARTS PWB ASSY TH CONNECT SP		1	1	1
9	302LV94110	2LV94110	PARTS PWB ASSY ENGINE SP	60ppm	1	1	1
9	302L194030	2L194030	PARTS PWB ASSY ENGINE SP	50ppm	1	1	1
9	302MT94020	2MT94020	PARTS PWB ASSY ENGINE SP	45ppm	1	1	1
9	302L294080	2L294080	PARTS PWB ASSY ENGINE SP	40ppm without network	1	1	1
9	302MS94030	2MS94030	PARTS PWB ASSY ENGINE SP	40ppm with network	1	1	1
10	2FB27160	2FB27160	INTER LOCK SWITCH		1	1	1
11	302LV94210	2LV94210	PARTS PWB ASSY SWITCH SP		1	1	1
12	302FZ94420	2FZ94420	PARTS.FAN COOLING CONVEYING SP	45/50/60ppm	1	1	1
12	302FZ94420	2FZ94420	PARTS.FAN COOLING CONVEYING SP	40ppm	1		
13	302LV94070	2LV94070	PARTS SWITCHING REGULATOR 230V SP	45/50/60ppm		1	1
13	302LV94080	2LV94080	PARTS SWITCHING REGULATOR 120V SP	45/50/60ppm	1		
13	302L294040	2L294040	PARTS SWITCHING REGULATOR 230V SP	40ppm		1	1
13	302L294050	2L294050	PARTS SWITCHING REGULATOR 120V SP	40ppm	1		
14	302LV93090	2LV93090	LK-3130	60ppm	1	1	1
14	302MS93060	2MS93060	LK-3100	40/45/50ppm	1	1	1
15	302LV46290	2LV46290	CONN.CORD ASSY S03681		1	1	1
16	302LV94100	2LV94100	PARTS PWB ASSY MAIN SP EU	40/45/50/60ppm with network		1	
16	302LV94090	2LV94090	PARTS PWB ASSY MAIN SP	40/45/50/60ppm with network	1		1
16	302L294070	2L294070	PARTS PWB ASSY MAIN SP EU	40ppm without network		1	
16	302L294060	2L294060	PARTS PWB ASSY MAIN SP	40ppm without network	1		1
17	302F939082	2F939082	SCREW BOX		2	2	2
18	302FV45020	2FV45020	AC CORD ASSY			1	
19	3019527401	19527401	POWER CORD(120)		1		
20	302FV45040	2FV45040	AC CORD ASSY				1
101	7BB700308H	BB105600	+BIND T.T S SCREW 3X8 SR				
102	7BB200410H	BB105700	+BIND T.T P SCREW 4X10				

•Parts with Ref.No. indicate maintenance parts and the ones without it indicate out of the above.

•Parts with "-" are component parts or sub-assemblies of the assembly appearing immediately above them.

•Parts with "•" are component parts or sub-assembly with "•" appearing immediately above them.

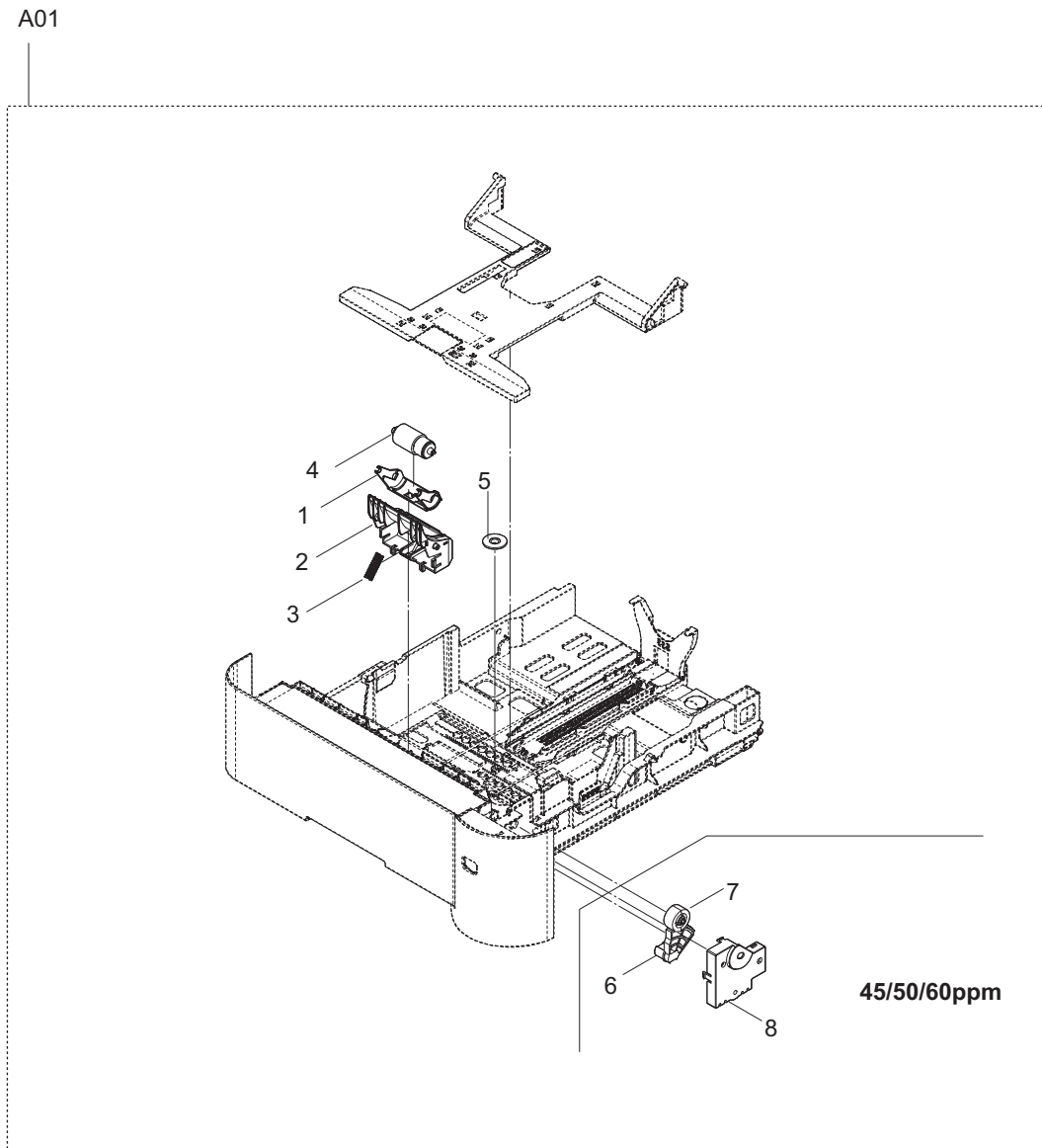


FIG. 3 Paper Cassette

2L1/2L2/2LV/2MS/2MT

Ref. No.	Part.No.	Alternative.	Description	Notes	Quantity		
					120	230	240
A01	302LV93030	2LV93030	CT-3130	45/50/60ppm	1	1	1
A01	302MS93010	2MS93010	CT-3100	40ppm	1	1	1
1	*302LV09110	2LV09110	HOLDER RETARD		1	1	1
2	*302LV09120	2LV09120	GUIDE RETARD		1	1	1
3	*302LV09130	2LV09130	SPRING RETARD		1	1	1
4	*302F909171	2F909171	RETARD ROLLER ASSY		1	1	1
5	*5MVG127DN071	2A807050	GEAR CASSETTE /A-49 CASSETTE A4		1	1	1
6	*302LV09240	2LV09240	GEAR Z48S LIFT	45/50/60ppm	1	1	1
7	*302LV09220	2LV09220	GEAR Z15S JOINT	45/50/60ppm	1	1	1
8	*302LV09200	2LV09200	COVER LIFT GEAR	45/50/60ppm	1	1	1

•Parts with Ref.No. indicate maintenance parts and the ones without it indicate out of the above.

•Parts with "-" are component parts or sub-assemblies of the assembly appearing immediately above them.
 •Parts with "•" are component parts or sub-assembly with "•" appearing immediately above them.

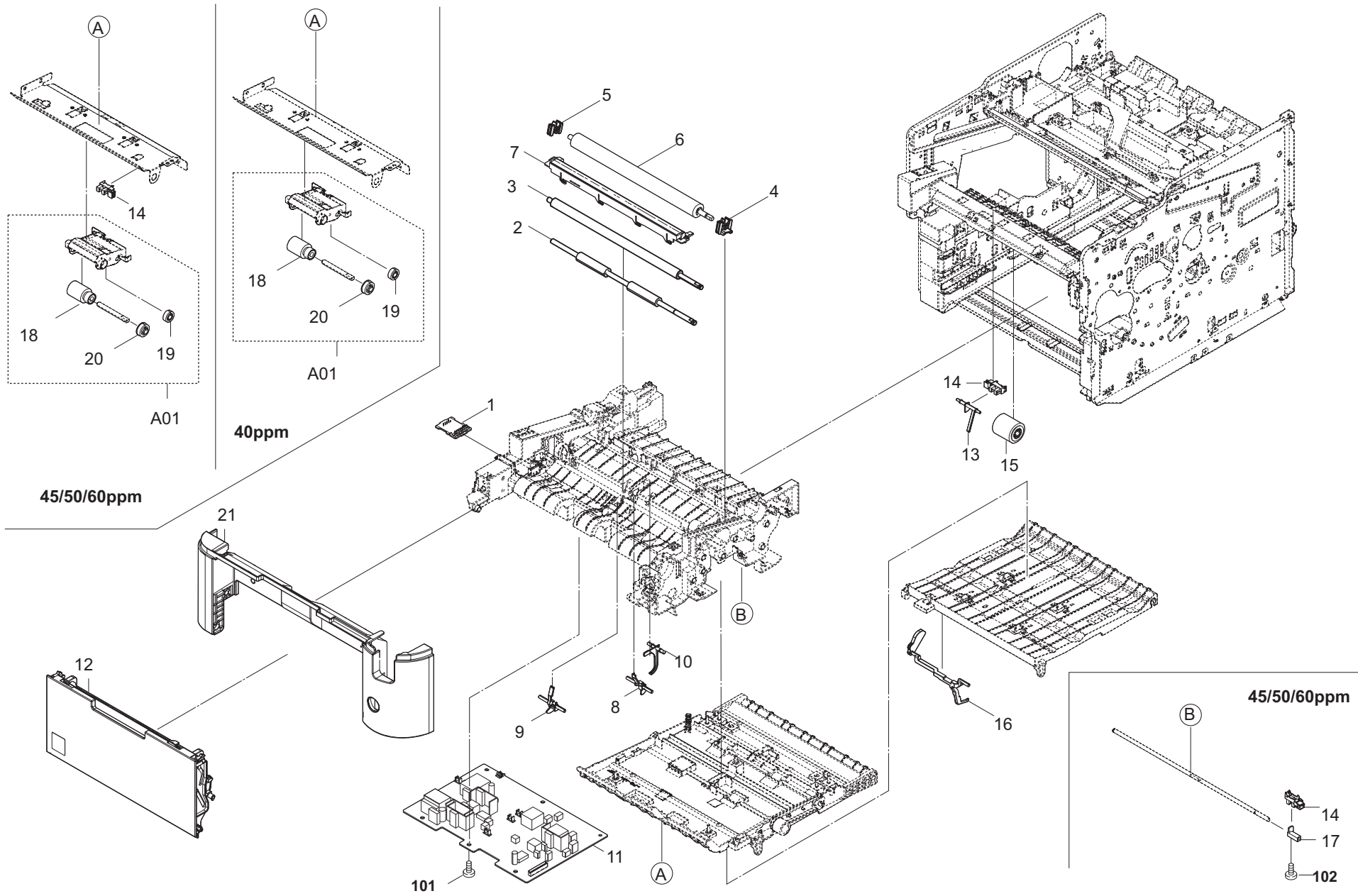


FIG. 4 Paper Feed Section

2L1/2L2/2LV/2MS/2MT

Ref. No.	Part.No.	Alternative.	Description	Notes	Quantity		
					120	230	240
1	302LV94200	2LV94200	PARTS PWB ASSY DRUM CONNECT SP		1	1	1
2	302LV94170	2LV94170	PARTS ROLLER REGIST LOW SP		1	1	1
3	302LV94180	2LV94180	PARTS ROLLER REGIST UP SP		1	1	1
4	302F924190	2F924190	BUSH TRANSFER R		1	1	1
5	302LV24360	2LV24360	BUSH TRANSFER L		1	1	1
6	302LV94130	2LV94130	PARTS ROLLER TRANSFER SP		1	1	1
7	302LV94260	2LV94260	PARTS GUIDE PAPER CHUTE SP		1	1	1
8	302LV24100	2LV24100	ACTUATOR IMAGE	45/50/60ppm	1	1	1
9	302L224030	2L224030	ACTUATOR REGIST	40ppm	1	1	1
10	302LV24110	2LV24110	ACTUATOR DU		1	1	1
11	302LV94060	2LV94060	PARTS HIGH VOLTAGE UNIT SP	45/50/60ppm	1	1	1
11	302L294030	2L294030	PARTS HIGH VOLTAGE UNIT SP	40ppm	1	1	1
12	302LV94040	2LV94040	PARTS COVER MPF ASSY SP		1	1	1
13	302LV08180	2LV08180	ACTUATOR MPF		1	1	1
14	303M894260	3M894260	PARTS SENSOR OPT SP	45/50/60ppm	3	3	3
14	303M894260	3M894260	PARTS SENSOR OPT SP	40ppm	1	1	1
15	302HS08260	2HS08260	ROLLER M/P ASSY		1	1	1
16	302LV29090	2LV29090	ACTUATOR PE		1	1	1
17	302LV24450	2LV24450	ACTUATOR ENVELOPE	45/50/60ppm	1	1	1
A01	302LV94270	2LV94270	PARTS HOLDER FEED ASSY SP		1	1	1
18	*302F906230	2F906230	PULLEY FEED ASSY		1	1	1
19	*302F906030	2F906030	GEAR FEED Z26H		1	1	1
20	*302F906280	2F906280	GEAR FEED Z30H		1	1	1
21	302LV04160	2LV04160	COVER FRONT	45/50/60ppm	1	1	1
21	302L294120	2L294120	PARTS COVER FRONT ASSY SP	40ppm	1	1	1
101	7BB200412H	BB105710	+BIND T.T P SCREW 4X12				
102	7BB000304H	BB105720	+BIND M SCREW 3X4				

•Parts with Ref.No. indicate maintenance parts and the ones without it indicate out of the above.

•Parts with "-" are component parts or sub-assemblies of the assembly appearing immediately above them.

•Parts with "•" are component parts or sub-assembly with "•" appearing immediately above them.

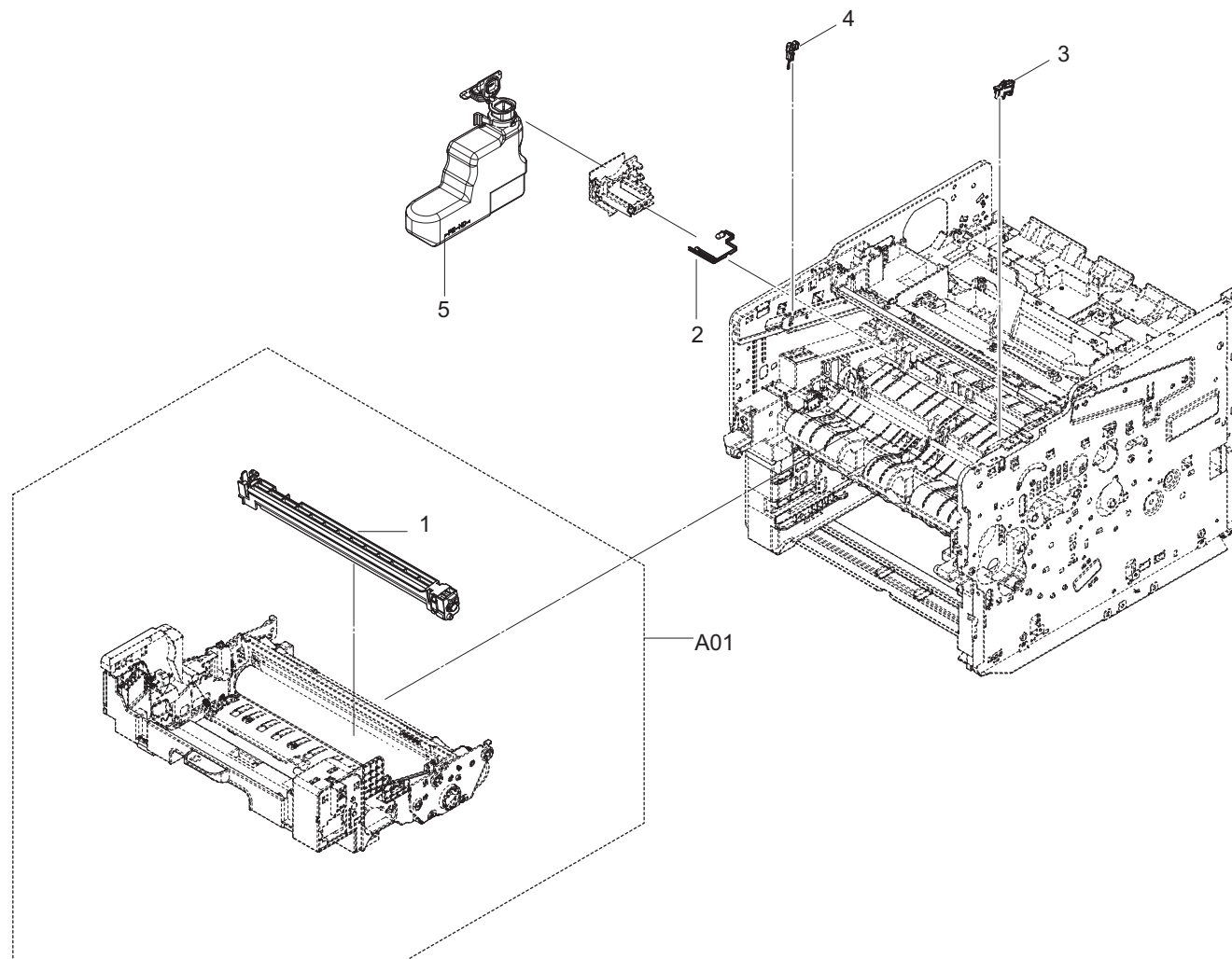


FIG. 5 Image Formation Section

2L1/2L2/2LV/2MS/2MT

Ref. No.	Part.No.	Alternative.	Description	Notes	Quantity		
					120	230	240
A01	302LV93040	2LV93040	DK-3130(E)	45/50/60ppm		1	
A01	302LV93060	2LV93060	DK-3130(U)	45/50/60ppm	1		
A01	302LV93070	2LV93070	DK-3130(AO)	45/50/60ppm			1
A01	302MS93020	2MS93020	DK-3100(E)	40ppm		1	
A01	302MS93040	2MS93040	DK-3100(U)	40ppm	1		
A01	302MS93050	2MS93050	DK-3100(AO)	40ppm			1
1	*302LV93010	2LV93010	MC-3100		1	1	1
2	302LV94120	2LV94120	PARTS TONER FULL DETECT ASSY SP		1	1	1
3	302LV02110	2LV02110	STOPPER PROCESS		1	1	1
4	302LV02200	2LV02200	STOPPER PROCESS L		1	1	1
5	302LV93020	2LV93020	WT-3100		1	1	1

•Parts with Ref.No. indicate maintenance parts and the ones without it indicate out of the above.

•Parts with "*" are component parts or sub-assemblies of the assembly appearing immediately above them.
 •Parts with "* •" are component parts or sub-assembly with "*" appearing immediately above them.

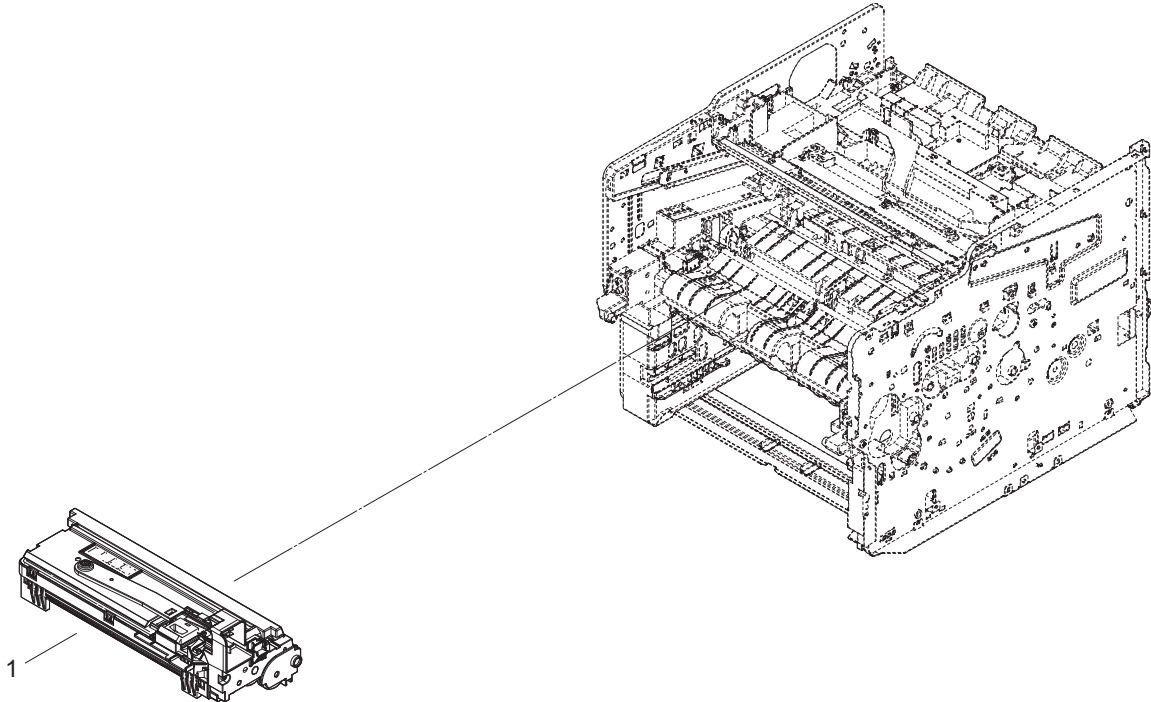


FIG. 6 Developer Section

2L1/2L2/2LV/2MS/2MT

Ref. No.	Part.No.	Alternative.	Description	Notes	Quantity		
					120	230	240
1	302LV93080	2LV93080	DV-3100		1	1	1

•Parts with Ref.No. indicate maintenance parts and the ones without it indicate out of the above.

•Parts with "*" are component parts or sub-assemblies of the assembly appearing immediately above them.
 •Parts with "• •" are component parts or sub-assembly with "*" appearing immediately above them.

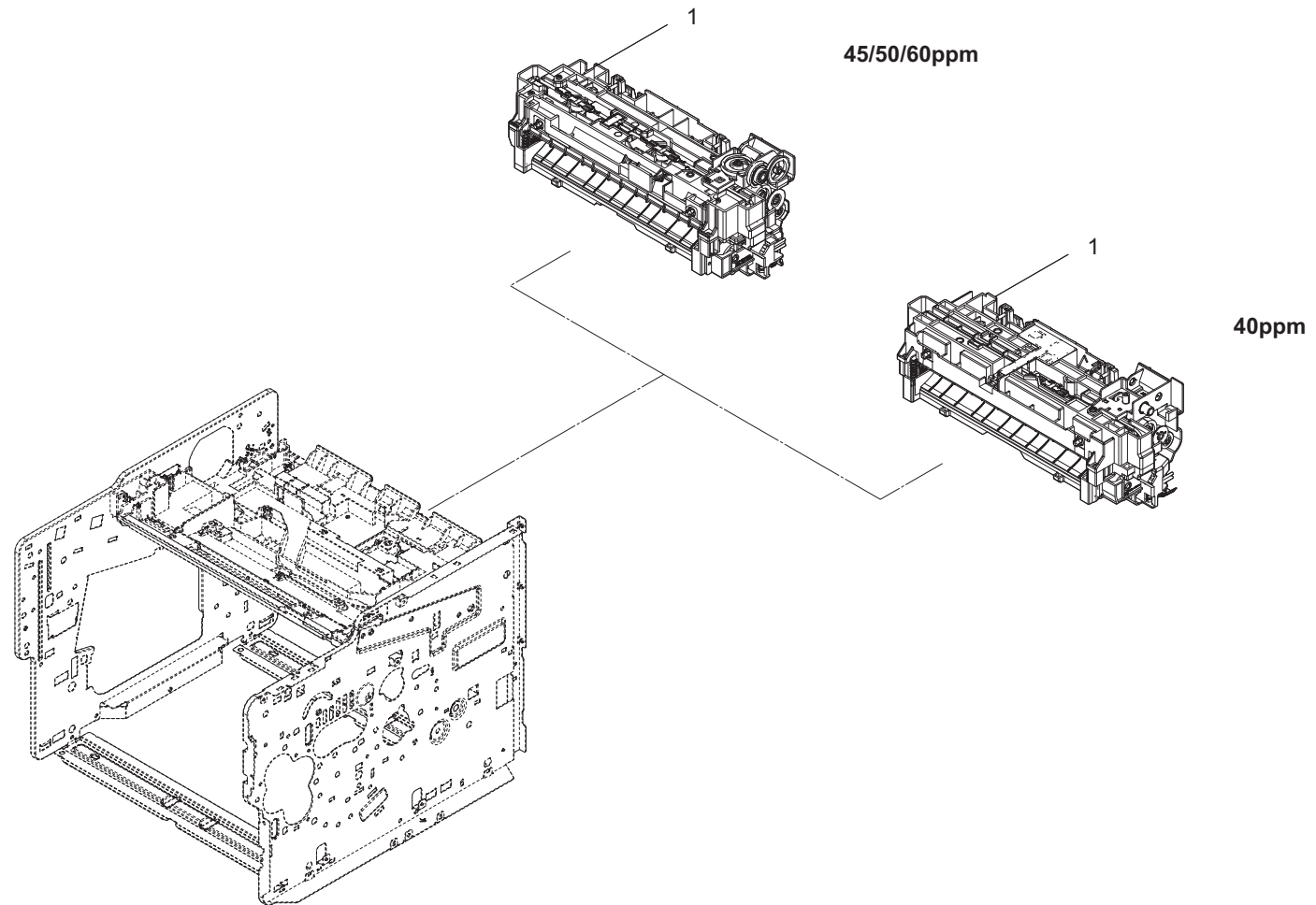


FIG. 7 Fuser Section

2L1/2L2/2LV/2MS/2MT

Ref. No.	Part.No.	Alternative.	Description	Notes	Quantity		
					120	230	240
1	302LV93110	2LV93110	FK-3130(E)	45/50/60ppm		1	1
1	302LV93130	2LV93130	FK-3130(U)	45/50/60ppm	1		
1	302MS93070	2MS93070	FK-3100(E)	40ppm		1	1
1	302MS93090	2MS93090	FK-3100(U)	40ppm	1		

•Parts with Ref.No. indicate maintenance parts and the ones without it indicate out of the above.

•Parts with "*" are component parts or sub-assemblies of the assembly appearing immediately above them.
 •Parts with "•" are component parts or sub-assembly with "•" appearing immediately above them.

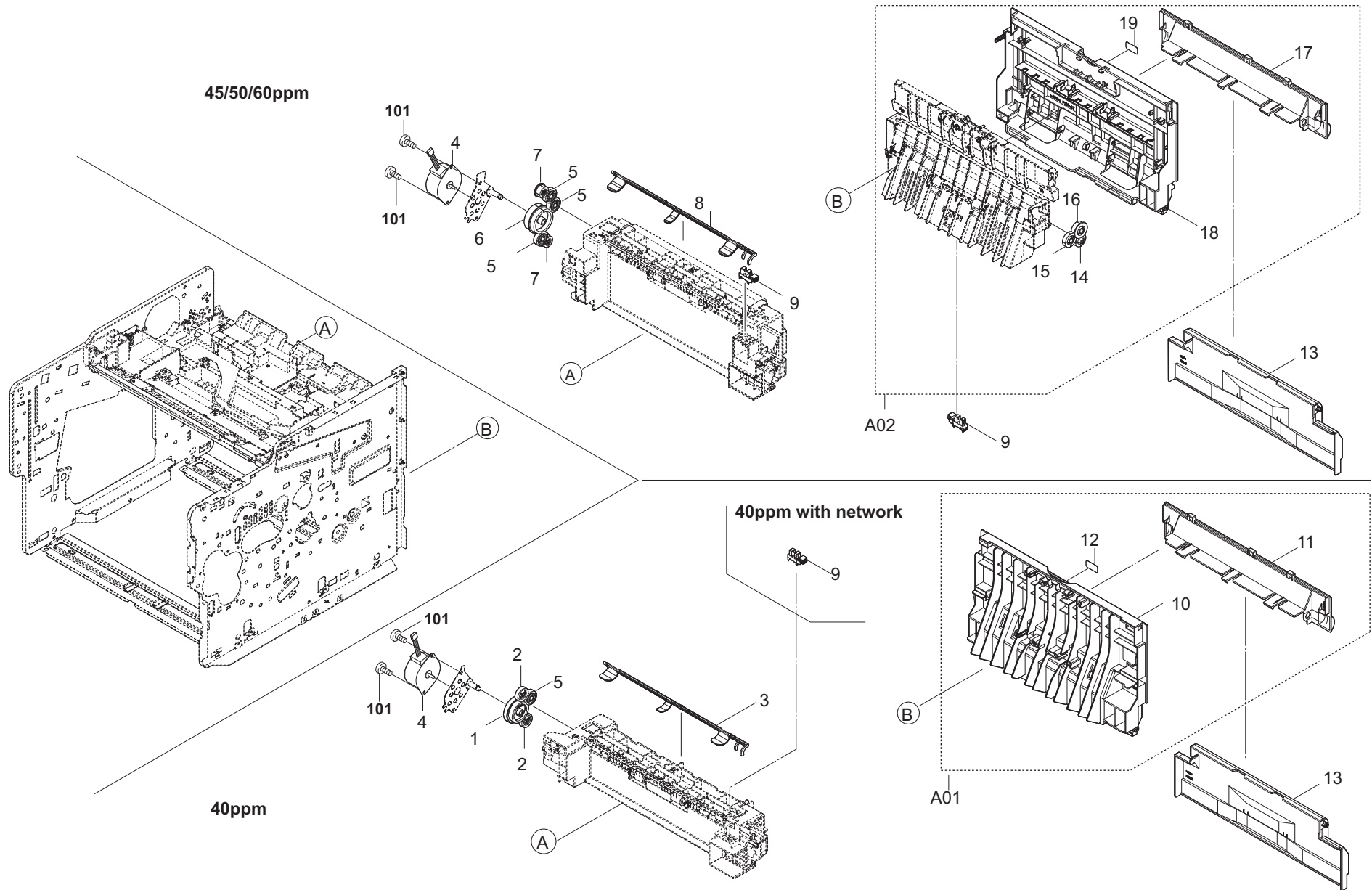


FIG. 8 Exit Section

2L1/2L2/2LV/2MS/2MT

Ref. No.	Part.No.	Alternative.	Description	Notes	Quantity		
					120	230	240
1	302L228040	2L228040	GEAR Z66R Z34S	40ppm	1	1	1
2	302L228030	2L228030	GEAR Z21S EXIT	40ppm	2	2	2
3	302L228090	2L228090	ACTUATOR OVERFLOW	40ppm	1	1	1
4	302F944131	2F944131	MOTOR EJECT		1	1	1
5	302LV28050	2LV28050	GEAR Z22S	45/50/60ppm	3	3	3
5	302LV28050	2LV28050	GEAR Z22S	40ppm	1	1	1
6	302LV28030	2LV28030	GEAR Z66R-Z40S	45/50/60ppm	1	1	1
7	302LV28040	2LV28040	GEAR Z17S	45/50/60ppm	2	2	2
8	302LV28140	2LV28140	ACTUATOR OVERFLOW	45/50/60ppm	1	1	1
9	303M894260	3M894260	PARTS SENSOR OPT SP	45/50/60ppm	2	2	2
9	303M894260	3M894260	PARTS SENSOR OPT SP	40ppm with network	1	1	1
A01	302MS94040	2MS94040	PARTS COVER REAR ASSY SP	40ppm	1	1	1
10	*302L204040	2L204040	COVER REAR UP		1	1	1
11	*302LV04110	2LV04110	COVER REAR LOW		1	1	1
12	*302MC34040	2MC34040	LABEL PUSH		1	1	1
13	302LV04120	2LV04120	COVER CASSETTE		1	1	1
A02	302LV94140	2LV94140	PARTS COVER REAR ASSY SP	45/50/60ppm	1	1	1
14	*302LV28090	2LV28090	GEAR Z20S		1	1	1
15	*302LV28190	2LV28190	GEAR Z22S B		1	1	1
16	*302LV28100	2LV28100	GEAR Z22S A		1	1	1
17	*302LV04110	2LV04110	COVER REAR LOW		1	1	1
18	*302LV04100	2LV04100	COVER REAR UP		1	1	1
19	*302MC34040	2MC34040	LABEL PUSH		1	1	1
101	7BB200308H	BB105660	+BIND T.T.P SCREW 3X8				

•Parts with Ref.No. indicate maintenance parts and the ones without it indicate out of the above.

•Parts with "-" are component parts or sub-assemblies of the assembly appearing immediately above them.

•Parts with "•" are component parts or sub-assembly with "•" appearing immediately above them.

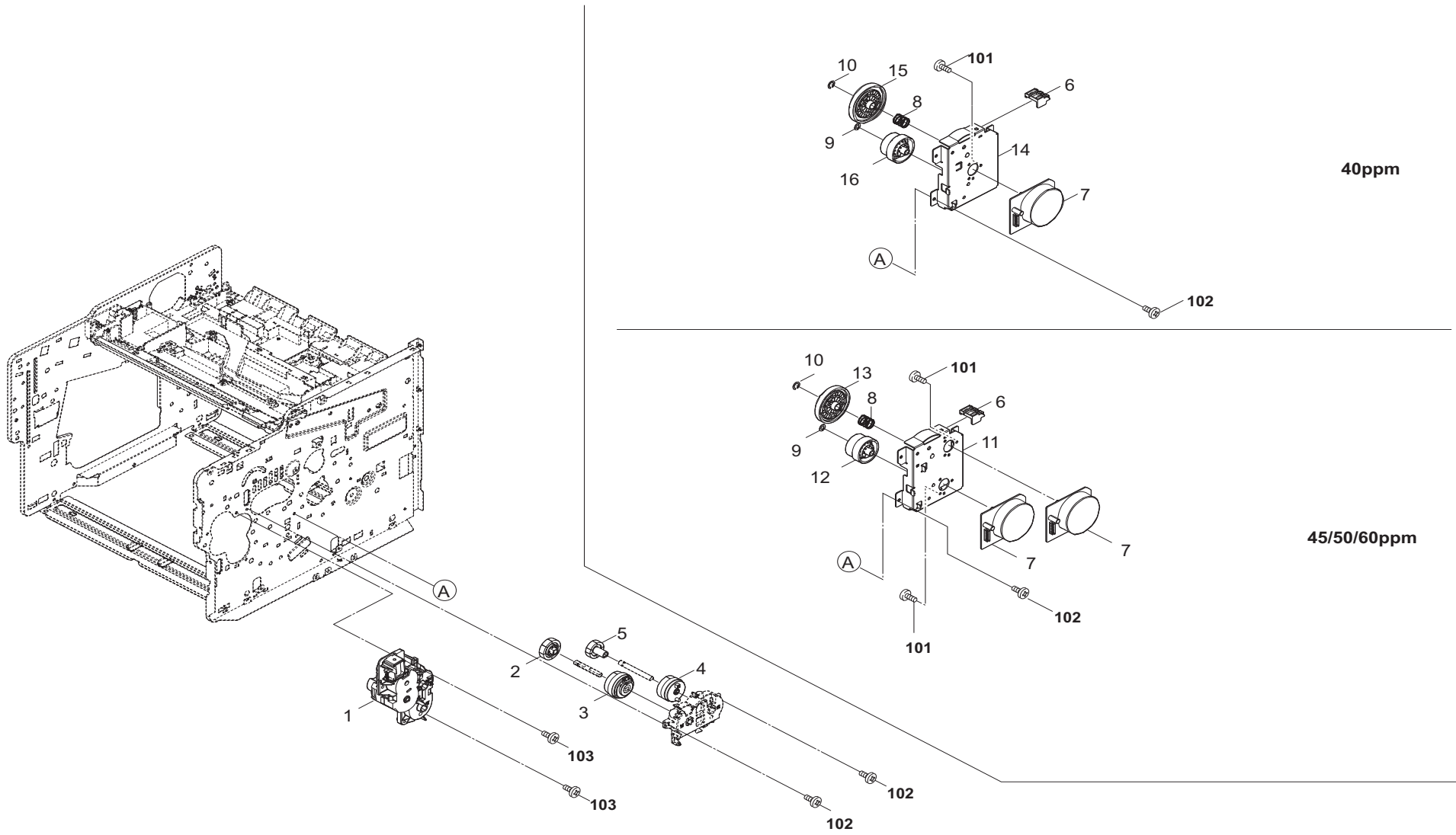


FIG. 9 Drive Section

2L1/2L2/2LV/2MS/2MT

Ref. No.	Part.No.	Alternative.	Description	Notes	Quantity		
					120	230	240
1	302LV94250	2LV94250	PARTS DRIVE FEED ASSY SP	45/50/60ppm	1	1	1
1	302MS94050	2MS94050	PARTS DRIVE FEED ASSY SP	40ppm	1	1	1
2	302LV31440	2LV31440	GEAR Z32L REG CL	45/50/60ppm	1	1	1
3	303M894090	3M894090	PARTS CLUTCH 50 Z35R SP		1	1	1
4	302LV94160	2LV94160	PARTS CLUTCH 20-2W Z35R		1	1	1
5	302LV31180	2LV31180	GEAR Z26L DLP CLUTCH		1	1	1
6	302LV39040	2LV39040	RAIL PWB MAIN B		1	1	1
7	302K394201	2K394201	PARTS MOTOR-BL W30 SP	45/50/60ppm	2	2	2
7	302K394201	2K394201	PARTS MOTOR-BL W30 SP	40ppm	1	1	1
8	302LV31290	2LV31290	SPRING COUPLING DRUM		1	1	1
9	2C904550	2C904550	CUT WASHER 5		1	1	1
10	302K914570	2K914570	CUT WASHER 7		1	1	1
11	302LV31010	2LV31010	PLATE DRIVE	45/50/60ppm	1	1	1
12	302LV31060	2LV31060	GEAR Z80R-Z36L	45/50/60ppm	1	1	1
13	302LV31050	2LV31050	GEAR Z119R	45/50/60ppm	1	1	1
14	302L231030	2L231030	PLATE DRIVE	40ppm	1	1	1
15	302L231040	2L231040	GEAR Z128R	40ppm	1	1	1
16	302L231050	2L231050	GEAR Z86R-Z36L	40ppm	1	1	1
101	7BB000304H	BB105720	+BIND M SCREW 3X4				
102	7BB700308H	BB105600	+BIND T.T S SCREW 3X8 SR				
103	7BB700312H	BB106820	+BIND T.T S SCREW 3X12 SR				

•Parts with Ref.No. indicate maintenance parts and the ones without it indicate out of the above.

•Parts with "-" are component parts or sub-assemblies of the assembly appearing immediately above them.

•Parts with "•" are component parts or sub-assembly with "•" appearing immediately above them.

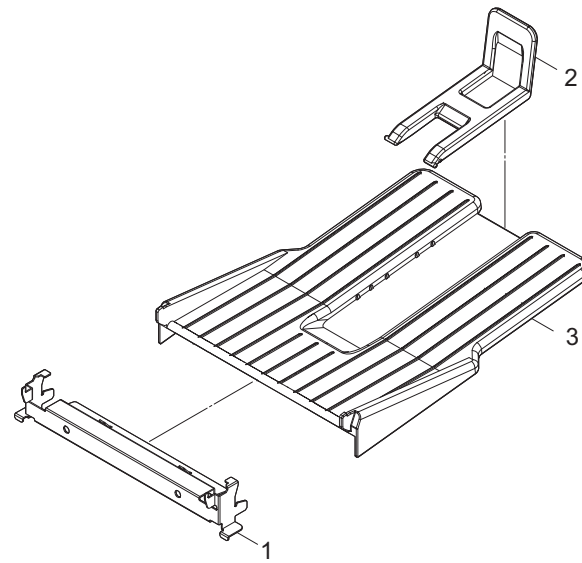


FIG. 10 PT-320

2L1/2L2/2LV/2MS/2MT

Ref. No.	Part.No.	Alternative.	Description	Notes	Quantity		
					120	230	240
1	303N728010	3N728010	PLATE HOOK		1	1	1
2	303N728030	5MVL664SH001	STOPPER PAPER REAR		1	1	1
3	303N728020	3N728020	TRAY REAR		1	1	1

•Parts with Ref.No. indicate maintenance parts and the ones without it indicate out of the above.

•Parts with "*" are component parts or sub-assemblies of the assembly appearing immediately above them.
 •Parts with "• •" are component parts or sub-assembly with "*" appearing immediately above them.

FIG. 11 Maintenance Kits

2L1/2L2/2LV/2MS/2MT

Ref. No.	Part.No.	Alternative.	Description	Notes	Quantity		
					120	230	240
	1702MS7US0	072MS7US	MK-3102/MAINTENANCE KIT RETARD ROLLER ASSY PARTS HOLDER FEED ASSY SP ROLLER TRANSFER ASSY DK-3100(U) DV-3100 FK-3100(U)	OPTION 40ppm	1		
	1702MS8AS0	072MS8AS	MK-3104/MAINTENANCE KIT RETARD ROLLER ASSY PARTS HOLDER FEED ASSY SP ROLLER TRANSFER ASSY DK-3100(AO) DV-3100 FK-3100(E)	OPTION 40ppm			1
	1702MS8NL0	072MS8NL	MK-3100/MAINTENANCE KIT RETARD ROLLER ASSY PARTS HOLDER FEED ASSY SP ROLLER TRANSFER ASSY DK-3100(E) DV-3100 FK-3100(E)	OPTION 40ppm		1	
	1702MT7US0	072MT7US	MK-3132/MAINTENANCE KIT RETARD ROLLER ASSY PARTS HOLDER FEED ASSY SP ROLLER TRANSFER ASSY DK-3130(U) DV-3100 FK-3130(U)	OPTION 45/50/60ppm	1		
	1702MT8AS0	072MT8AS	MK-3134/MAINTENANCE KIT RETARD ROLLER ASSY PARTS HOLDER FEED ASSY SP ROLLER TRANSFER ASSY DK-3130(AO) DV-3100 FK-3130(E)	OPTION 45/50/60ppm			1
	1702MT8NL0	072MT8NL	MK-3130/MAINTENANCE KIT RETARD ROLLER ASSY PARTS HOLDER FEED ASSY SP ROLLER TRANSFER ASSY DK-3130(E) DV-3100 FK-3130(E)	OPTION 45/50/60ppm		1	

•Parts with Ref.No. indicate maintenance parts and the ones without it indicate out of the above.

•Parts with "-" are component parts or sub-assemblies of the assembly appearing immediately above them.
•Parts with "•" are component parts or sub-assembly with "•" appearing immediately above them.

INDEX

2L1/2L2/2LV/2MS/2MT

Part.No.	Alternative.	Description	Fig.No.	Part.No.	Alternative.	Description	Fig.No.
1702MS7US0	072MS7US	MK-3102/MAINTENANCE KIT	11	302LV04040	2LV04040	COVER LEFT UP	1
1702MS8AS0	072MS8AS	MK-3104/MAINTENANCE KIT	11	302LV04050	2LV04050	COVER LEFT LOW	1
1702MS8NL0	072MS8NL	MK-3100/MAINTENANCE KIT	11	302LV04070	2LV04070	COVER RIGHT LOW	1
1702MT7US0	072MT7US	MK-3132/MAINTENANCE KIT	11	302LV04080	2LV04080	COVER RIGHT FRONT	1
1702MT8AS0	072MT8AS	MK-3134/MAINTENANCE KIT	11	302LV04100	2LV04100	COVER REAR UP	8
1702MT8NL0	072MT8NL	MK-3130/MAINTENANCE KIT	11	302LV04120	2LV04120	COVER CASSETTE	8
2C904550	2C904550	CUT WASHER 5	9	302LV04130	2LV04130	COVER CONT UP	1
2FB27160	2FB27160	INTER LOCK SWITCH	2	302LV04140	2LV04140	COVER CONT MIDDLE	1
3019527401	19527401	POWER CORD(120)	2	302LV04150	2LV04150	COVER CONT LOW	1
302F906030	2F906030	GEAR FEED Z26H	4	302LV04160	2LV04160	COVER FRONT	4
302F906230	2F906230	PULLEY FEED ASSY	4	302LV04170	2LV04170	COVER SIDE UP	1
302F906280	2F906280	GEAR FEED Z30H	4	302LV04190	2LV04190	COVER SIDE LOW	1
302F909171	2F909171	RETARD ROLLER ASSY	3	302LV04250	2LV04250	COVER LEFT UP REAR	1
302F924190	2F924190	BUSH TRANSFER R	4	302LV04260	2LV04260	COVER LEFT LOW REAR	1
302F939082	2F939082	SCREW BOX	2	302LV04270	2LV04270	COVER RIGHT REAR	1
302F944131	2F944131	MOTOR EJECT	8	302LV04280	2LV04280	COVER CABLE	1
302FV45020	2FV45020	AC CORD ASSY	2	302LV04320	2LV04320	PANEL LCD J	1
302FV45040	2FV45040	AC CORD ASSY	2	302LV05140	2LV05140	SHEET OPE E	1
302FZ94420	2FZ94420	PARTS,FAN COOLING CONVEYING SP	2	302LV05150	2LV05150	SHEET OPE GER	1
302GR44080	2GR44080	FAN LSU 60-25	2	302LV05160	2LV05160	SHEET OPE FRA	1
302HN02611	2HN02611	FOOT	2	302LV05170	2LV05170	SHEET OPE ITA	1
302HN44010	2HN44010	FAN MOTOR	2	302LV05180	2LV05180	SHEET OPE SPA	1
302HS08260	2HS08260	ROLLER M/P ASSY	4	302LV05190	2LV05190	SHEET OPE POR	1
302K394201	2K394201	PARTS MOTOR-BL W30 SP	9	302LV05200	2LV05200	SHEET OPE DUT	1
302K914570	2K914570	CUT WASHER 7	9	302LV05240	2LV05240	SHEET OPE J	1
302L194010	2L194010	PARTS LID TOP ASSY SP	1	302LV08180	2LV08180	ACTUATOR MPF	4
302L194030	2L194030	PARTS PWB ASSY ENGINE SP	2	302LV09110	2LV09110	HOLDER RETARD	3
302L204040	2L204040	COVER REAR UP	8	302LV09120	2LV09120	GUIDE RETARD	3
302L224030	2L224030	ACTUATOR REGIST	4	302LV09130	2LV09130	SPRING RETARD	3
302L228030	2L228030	GEAR Z21S EXIT	8	302LV09200	2LV09200	COVER LIFT GEAR	3
302L228040	2L228040	GEAR Z66R Z34S	8	302LV09220	2LV09220	GEAR Z15S JOINT	3
302L228090	2L228090	ACTUATOR OVERFLOW	8	302LV09240	2LV09240	GEAR Z48S LIFT	3
302L231030	2L231030	PLATE DRIVE	9	302LV24100	2LV24100	ACTUATOR IMAGE	4
302L231040	2L231040	GEAR Z128R	9	302LV24110	2LV24110	ACTUATOR DU	4
302L231050	2L231050	GEAR Z86R-Z36L	9	302LV24360	2LV24360	BUSH TRANSFER L	4
302L246060	2L246060	CONN.CORD ASSY S03720	2	302LV24450	2LV24450	ACTUATOR ENVELOPE	4
302L246080	2L246080	CONN.CORD ASSY S03781	1	302LV28030	2LV28030	GEAR Z66R-Z40S	8
302L294010	2L294010	PARTS COVER TOP ASSY	1	302LV28040	2LV28040	GEAR Z17S	8
302L294020	2L294020	PARTS LID TOP ASSY SP	1	302LV28050	2LV28050	GEAR Z22S	8
302L294030	2L294030	PARTS HIGH VOLTAGE UNIT SP	4	302LV28090	2LV28090	GEAR Z20S	8
302L294040	2L294040	PARTS SWITCHING REGULATOR 230V SP	2	302LV28100	2LV28100	GEAR Z22S A	8
302L294050	2L294050	PARTS SWITCHING REGULATOR 120V SP	2	302LV28140	2LV28140	ACTUATOR OVERFLOW	8
302L294060	2L294060	PARTS PWB ASSY MAIN SP	2	302LV28190	2LV28190	GEAR Z22S B	8
302L294070	2L294070	PARTS PWB ASSY MAIN SP EU	2	302LV29090	2LV29090	ACTUATOR PE	4
302L294080	2L294080	PARTS PWB ASSY ENGINE SP	2	302LV31050	2LV31050	GEAR Z119R	9
302L294090	2L294090	PARTS PWB ASSY CONNECT-L SP	2	302LV31060	2LV31060	GEAR Z80R-Z36L	9
302L294110	2L294110	PARTS TRAY TOP ASSY SP	1	302LV31180	2LV31180	GEAR Z26L DLP CLUTCH	9
302L294120	2L294120	PARTS COVER FRONT ASSY SP	4	302LV31290	2LV31290	SPRING COUPLING DRUM	9
302LV02110	2LV02110	STOPPER PROCESS	5	302LV31440	2LV31440	GEAR Z32L REG CL	9
302LV02200	2LV02200	STOPPER PROCESS L	5	302LV39040	2LV39040	RAIL PWB MAIN B	9

Part.No.	Alternative.	Description	Fig.No.	Part.No.	Alternative.	Description	Fig.No.
302LV46140	2LV46140	CONN.CORD ASSY S03666	2	302MS94040	2MS94040	PARTS COVER REAR ASSY SP	8
302LV46290	2LV46290	CONN.CORD ASSY S03681	2	302MS94050	2MS94050	PARTS DRIVE FEED ASSY SP	9
302LV46300	2LV46300	CONN.CORD ASSY S03682	1	302MT94010	2MT94010	PARTS LID TOP ASSY SP	1
302LV46420	2LV46420	CONN.CORD ASSY S03737	2	302MT94020	2MT94020	PARTS PWB ASSY ENGINE SP	2
302LV93010	2LV93010	MC-3100	5	303M894090	3M894090	PARTS CLUTCH 50 Z35R SP	9
302LV93020	2LV93020	WT-3100	5	303M894260	3M894260	PARTS SENSOR OPT SP	4,8
302LV93030	2LV93030	CT-3130	3	303N728010	3N728010	PLATE HOOK	10
302LV93050	2LV93050	DK-3130(J)	5	303N728020	3N728020	TRAY REAR	10
302LV93060	2LV93060	DK-3130(U)	5	303N728030	5MVL664SH001	STOPPER PAPER REAR	10
302LV93070	2LV93070	DK-3130(AO)	5	7AAACCJP+15H004	AA119210	AC CORD ASSY JP	2
302LV93080	2LV93080	DV-3100	6	7SP01000006+H01	SP121020	SW.PUSH	2
302LV93090	2LV93090	LK-3130	2				
302LV93120	2LV93120	FK-3130(J)	7				
302LV93130	2LV93130	FK-3130(U)	7				
302LV94010	2LV94010	PARTS COVER TOP ASSY SP	1				
302LV94030	2LV94030	PARTS LID TOP ASSY J SP	1				
302LV94040	2LV94040	PARTS COVER MPF ASSY SP	4				
302LV94050	2LV94050	PARTS PWB ASSY PANEL SP	1				
302LV94060	2LV94060	PARTS HIGH VOLTAGE UNIT SP	4				
302LV94070	2LV94070	PARTS SWITCHING REGULATOR 230V SP	2				
302LV94080	2LV94080	PARTS SWITCHING REGULATOR 120V SP	2				
302LV94090	2LV94090	PARTS PWB ASSY MAIN SP	2				
302LV94100	2LV94100	PARTS PWB ASSY MAIN SP EU	2				
302LV94110	2LV94110	PARTS PWB ASSY ENGINE SP	2				
302LV94120	2LV94120	PARTS TONER FULL DETECT ASSY SP	5				
302LV94130	2LV94130	PARTS ROLLER TRANSFER SP	4				
302LV94150	2LV94150	PARTS COVER REAR ASSY J SP	8				
302LV94160	2LV94160	PARTS CLUTCH 20-2W Z35R	9				
302LV94170	2LV94170	PARTS ROLLER REGIST LOW SP	4				
302LV94180	2LV94180	PARTS ROLLER REGIST UP SP	4				
302LV94190	2LV94190	PARTS PWB ASSY CONNECT-L SP	2				
302LV94200	2LV94200	PARTS PWB ASSY DRUM CONNECT SP	4				
302LV94210	2LV94210	PARTS PWB ASSY SWITCH SP	2				
302LV94220	2LV94220	PARTS PWB ASSY TH CONNECT SP	2				
302LV94250	2LV94250	PARTS DRIVE FEED ASSY SP	9				
302LV94260	2LV94260	PARTS GUIDE PAPER CHUTE SP	4				
302LV94270	2LV94270	PARTS HOLDER FEED ASSY SP	4				
302LV94280	2LV94280	PARTS TRAY TOP ASSY SP	1				
302LV94300	2LV94300	PARTS PWB ASSY MAIN SP LS	2				
302LV94310	2LV94310	COVER REAR UP SP	8				
302MC34040	2MC34040	LABEL PUSH	8				
302MS93010	2MS93010	CT-3100	3				
302MS93030	2MS93030	DK-3100(J)	5				
302MS93040	2MS93040	DK-3100(U)	5				
302MS93050	2MS93050	DK-3100(AO)	5				
302MS93060	2MS93060	LK-3100	2				
302MS93080	2MS93080	FK-3100(J)	7				
302MS93090	2MS93090	FK-3100(U)	7				
302MS94020	2MS94020	PARTS LID TOP ASSY J SP	1				
302MS94030	2MS94030	PARTS PWB ASSY ENGINE SP	2				

KYOCERA Document Solutions America, Inc.

Headquarters

225 Sand Road,
Fairfield, New Jersey 07004-0008, USA
Phone: +1-973-808-8444
Fax: +1-973-882-6000

Latin America

8240 NW 52nd Terrace Dawson Building, Suite 100
Miami, Florida 33166, USA
Phone: +1-305-421-6640
Fax: +1-305-421-6666

KYOCERA Document Solutions Canada, Ltd.

6120 Kestrel Rd., Mississauga, ON L5T 1S8,
Canada
Phone: +1-905-670-4425
Fax: +1-905-670-8116

**KYOCERA Document Solutions
Mexico, S.A. de C.V.**

Calle Arquimedes No. 130, 4 Piso, Colonia Polanco
Chapultepec, Delegacion Miguel Hidalgo,
Distrito Federal, C.P. 11560, México
Phone: +52-555-383-2741
Fax: +52-555-383-7804

KYOCERA Document Solutions Brazil, Ltda.

Av.Tambore,1180 Mod.B-09 CEP 06460-000
Tambore-Barueri-SP, Brazil
Phone: +55-11-4195-8496
Fax: +55-11-4195-6167

**KYOCERA Document Solutions
Australia Pty. Ltd.**

Level 3, 6-10 Talavera Road North Ryde N.S.W, 2113,
Australia
Phone: +61-2-9888-9999
Fax: +61-2-9888-9588

**KYOCERA Document Solutions
New Zealand Ltd.**

1-3 Parkhead Place, Albany, Auckland 1330,
New Zealand
Phone: +64-9-415-4517
Fax: +64-9-415-4597

KYOCERA Document Solutions Asia Limited

16/F.,Mita Centre, 552-566, Castle Peak Road
Tsuenwan, NT, Hong Kong
Phone: +852-2610-2181
Fax: +852-2610-2063

**KYOCERA Document Solutions
(Thailand) Corp., Ltd.**

335 Ratchadapisek Road, Bangsue, Bangkok 10800,
Thailand
Phone: +66-2-586-0333
Fax: +66-2-586-0278

**KYOCERA Document Solutions
Singapore Pte. Ltd.**

12 Tai Seng Street #04-01A,
Luxasia Building, Singapore 534118
Phone: +65-6741-8733
Fax: +65-6748-3788

**KYOCERA Document Solutions
Hong Kong Limited**

16/F.,Mita Centre, 552-566, Castle Peak Road
Tsuenwan, NT, Hong Kong
Phone: +852-2429-7422
Fax: +852-2423-2159

**KYOCERA Document Solutions
Taiwan Corporation**

6F., No.37, Sec. 3, Minquan E. Rd.,
Zhongshan Dist., Taipei 104, Taiwan R.O.C.
Phone: +886-2-2507-6709
Fax: +886-2-2507-8432

KYOCERA Document Solutions Korea Co., Ltd.

18F, Kangnam bldg, 1321-1,
Seocho-Dong, Seocho-Gu, Seoul, Korea
Phone: +822-6933-4050
Fax: +822-747-0084

**KYOCERA Document Solutions
India Private Limited**

First Floor, ORCHID CENTRE
Sector-53, Golf Course Road, Gurgaon 122 002,
India
Phone: +91-0124-4671000
Fax: +91-0124-4671001

KYOCERA Document Solutions Europe B.V.

Bloemlaan 4, 2132 NP Hoofddorp,
The Netherlands
Phone: +31-20-654-0000
Fax: +31-20-653-1256

KYOCERA Document Solutions Nederland B.V.

Beechavenue 25, 1119 RA Schiphol-Rijk,
The Netherlands
Phone: +31-20-5877200
Fax: +31-20-5877260

KYOCERA Document Solutions (U.K.) Limited

8 Beacontree Plaza,
Gillette Way Reading, Berkshire RG2 0BS,
United Kingdom
Phone: +44-118-931-1500
Fax: +44-118-931-1108

KYOCERA Document Solutions Italia S.p.A.

Via Verdi, 89/91 20063 Cernusco s/N.(MI),
Italy
Phone: +39-02-921791
Fax: +39-02-92179-600

KYOCERA Document Solutions Belgium N.V.

Sint-Martinusweg 199-201 1930 Zaventem,
Belgium
Phone: +32-2-7209270
Fax: +32-2-7208748

KYOCERA Document Solutions France S.A.S.

Espace Technologique de St Aubin
Route de l'Orme 91195 Gif-sur-Yvette CEDEX,
France
Phone: +33-1-69852600
Fax: +33-1-69853409

KYOCERA Document Solutions Espana, S.A.

Edificio Kyocera, Avda. de Manacor No.2,
28290 Las Matas (Madrid), Spain
Phone: +34-91-6318392
Fax: +34-91-6318219

KYOCERA Document Solutions Finland Oy

Atomitie 5C, 00370 Helsinki,
Finland
Phone: +358-9-47805200
Fax: +358-9-47805390

KYOCERA Document Solutions**Europe B.V., Amsterdam (NL) Zürich Branch**

Hohlstrasse 614, 8048 Zürich,
Switzerland
Phone: +41-44-9084949
Fax: +41-44-9084950

KYOCERA Document Solutions**Deutschland GmbH**

Otto-Hahn-Strasse 12, 40670 Meerbusch,
Germany
Phone: +49-2159-9180
Fax: +49-2159-918100

KYOCERA Document Solutions Austria GmbH

Eduard-Kittenberger-Gasse 95, 1230 Vienna,
Austria
Phone: +43-1-863380
Fax: +43-1-86338-400

KYOCERA Document Solutions Nordic AB

Esbogatan 16B 164 75 Kista, Sweden
Phone: +46-8-546-550-00
Fax: +46-8-546-550-10

KYOCERA Document Solutions Norge NUF

Postboks 150 Oppsal, 0619 Oslo,
Norway
Phone: +47-22-62-73-00
Fax: +47-22-62-72-00

KYOCERA Document Solutions Danmark A/S

Ejby Industrivej 60, DK-2600 Glostrup,
Denmark
Phone: +45-70223880
Fax: +45-45765850

KYOCERA Document Solutions Portugal Lda.

Rua do Centro Cultural, 41 (Alvalade) 1700-106 Lisboa,
Portugal
Phone: +351-21-843-6780
Fax: +351-21-849-3312

KYOCERA Document Solutions**South Africa (Pty) Ltd.**

49 Kyalami Boulevard,
Kyalami Business Park 1685 Midrand, South Africa
Phone: +27-11-540-2600
Fax: +27-11-466-3050

KYOCERA Document Solutions Russia LLC

Botanichesky pereulok 5, Moscow, 129090,
Russia
Phone: +7(495)741-0004
Fax: +7(495)741-0018

KYOCERA Document Solutions Middle East

Dubai Internet City, Bldg. 17,
Office 157 P.O. Box 500817, Dubai,
United Arab Emirates
Phone: +971-04-433-0412

KYOCERA Document Solutions Inc.

2-28, 1-chome, Tamatsukuri, Chuo-ku
Osaka 540-8585, Japan
Phone: +81-6-6764-3555
<http://www.kyoceradocumentsolutions.com>