



FS-1350DN

PARTS LIST

Published in October 2008

2H4PL070

842H4120

First Edition

NOTES

1. Indicate parts number and parts description together with the machine model name when placing an order.

e.g.	Parts Number	Parts Name	Machine Model	Quantity
	302H405080	SHEET BUTTON	FS-1350DN	1

2. Symbols in the "Parts Number" column.

- Parts with "•" are component parts or sub-assemblies of the assembly appearing immediately above them.

e.g.	Parts Number	Parts Name	Parts Number	Parts Name
	302H400010	COVER RIGHT ASSY	• 302H404040	COVER RIGHT
			• 302HS04060	COVER DIMM

- Parts with "••" are component parts or sub-assembly with "•" appearing immediately above them.

e.g.	Parts Number	Parts Name	Parts Number	Parts Name
	•302HS94000	PLATE BOTTOM ASSY	••302F909210	PAD BOTTOM
			••302HS09170	CAP BOTTOM

- Parts with "⊙" indicate regular maintenance parts.

———— CONTENTS ————

FIG. 1 Covers.....2
FIG. 2 Frames4
FIG. 3 Paper Cassette6
FIG. 4 Paper Feed Section 18
FIG. 5 Paper Feed Section 210
FIG. 6 Image Formation Section12
FIG. 7 Developing Section14
FIG. 8 Fuser Section16
FIG. 9 Drive Section.....18
FIG. 10 Duplex Section20
FIG. 11 Electrical Components22

• INDEX24

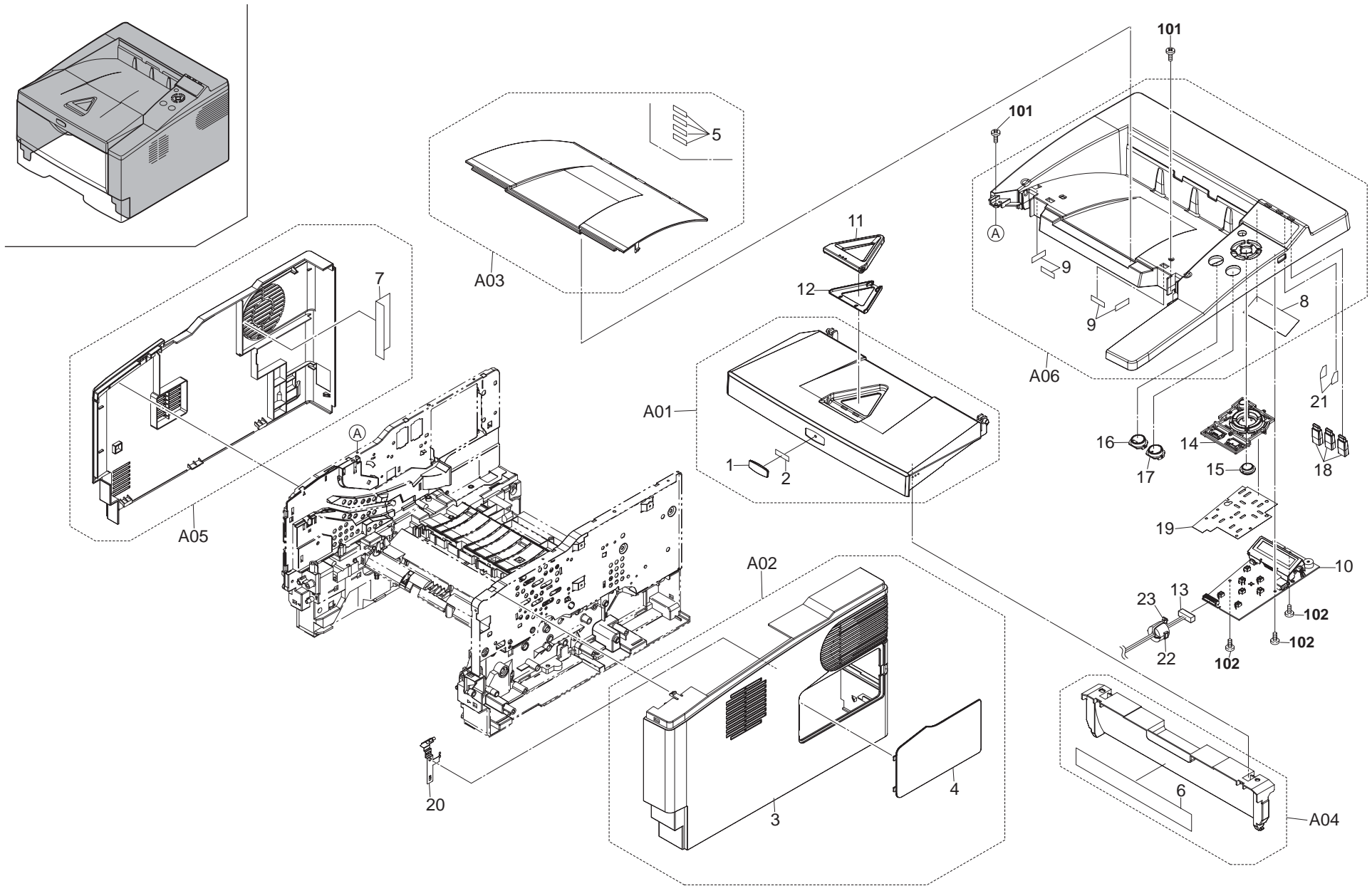


FIG. 1 Covers

2H4

	Ref. No.	Part.No.	Alternative.	Description	Quantity	
					120	230
⊙	A01	302HS94020	2HS94020	L D TOP ASSY	1	1
	1	*302F904120	2F904120	EMBLEM KYOCERA	1	1
	2	*302F904130	2F904130	TAPE EMBLEM	1	1
⊙	A02	302H400010	2H400010	COVER RIGHT ASSY	1	1
	3	*302H404040	2H404040	COVER RIGHT	1	1
	4	*302HS04060	2HS04060	COVER D MM	1	1
⊙	A03	302H494010	2H494010	COVER TOP B(N) KIT SP	1	1
	5	*302HS04170	2HS04170	SHEET TOP COVER	4	4
⊙	A04	302HS94121	2HS94121	COVER FRONT ASSY (2HS) SP	1	1
	6	*302HS34080	2HS34080	LABEL JAM TK OPERATION	1	1
⊙	A05	302HS94241	2HS94241	COVER LEFT ASSY SP	1	1
	7	*302HS02660	2HS02660	SHEET FAN L	1	1
⊙	A06	302H494040	2H494040	COVER TOP ASSY (N) SP	1	1
	8	*302H404060	2H404060	SHEET LCD	1	1
	9	*302HS04170	2HS04170	SHEET TOP COVER	4	4
⊙	10	302H401030	2H401030	P.W.BOARD ASSY PANEL	1	1
⊙	11	302HS04070	2HS04070	COVER RACK	1	1
⊙	12	302HS04160	2HS04160	COVER RACK B	1	1
	13	302H446020	2H446020	CONN.CORD ASSY LCD-RELAY S03394	1	1
	14	302H405010	2H405010	BUTTON A	1	1
	15	302H405020	2H405020	BUTTON B	1	1
	16	302H405030	2H405030	BUTTON C	1	1
	17	302H405040	2H405040	BUTTON D	1	1
	18	302H405110	2H405110	LENS LED	3	3
	19	302H405080	2H405080	SHEET BUTTON	1	1
	20	302H402030	2H402030	PLATE EARTH	1	1
	21	302H404050	2H404050	SHEET LENS LED	2	2
	22	7YBEJ0J0D001H01	YB045400	FERRITE CORE	1	1
	23	7YZM420002++H01	YZ045260	ACCESS.BAND	1	1

	Ref. No.	Part.No.	Alternative.	Description	Quantity	
					120	230
	101	5MBTPB4010PW++R	B1A64100	B ND T.T SCREW(+) / M4 X 10 CRFREE P-T		
	102	5MBTPB3008PW++R	B1A63080	B ND T.T SCREW(+) / M3 X 8 CRFREE P-T		

- Parts with "*" are component parts or sub-assemblies of the assembly appearing immediately above them.
- Parts with "⊙" indicate regular maintenance parts.

- Parts with "••" are component parts or sub-assembly with "•" appearing immediately above them.

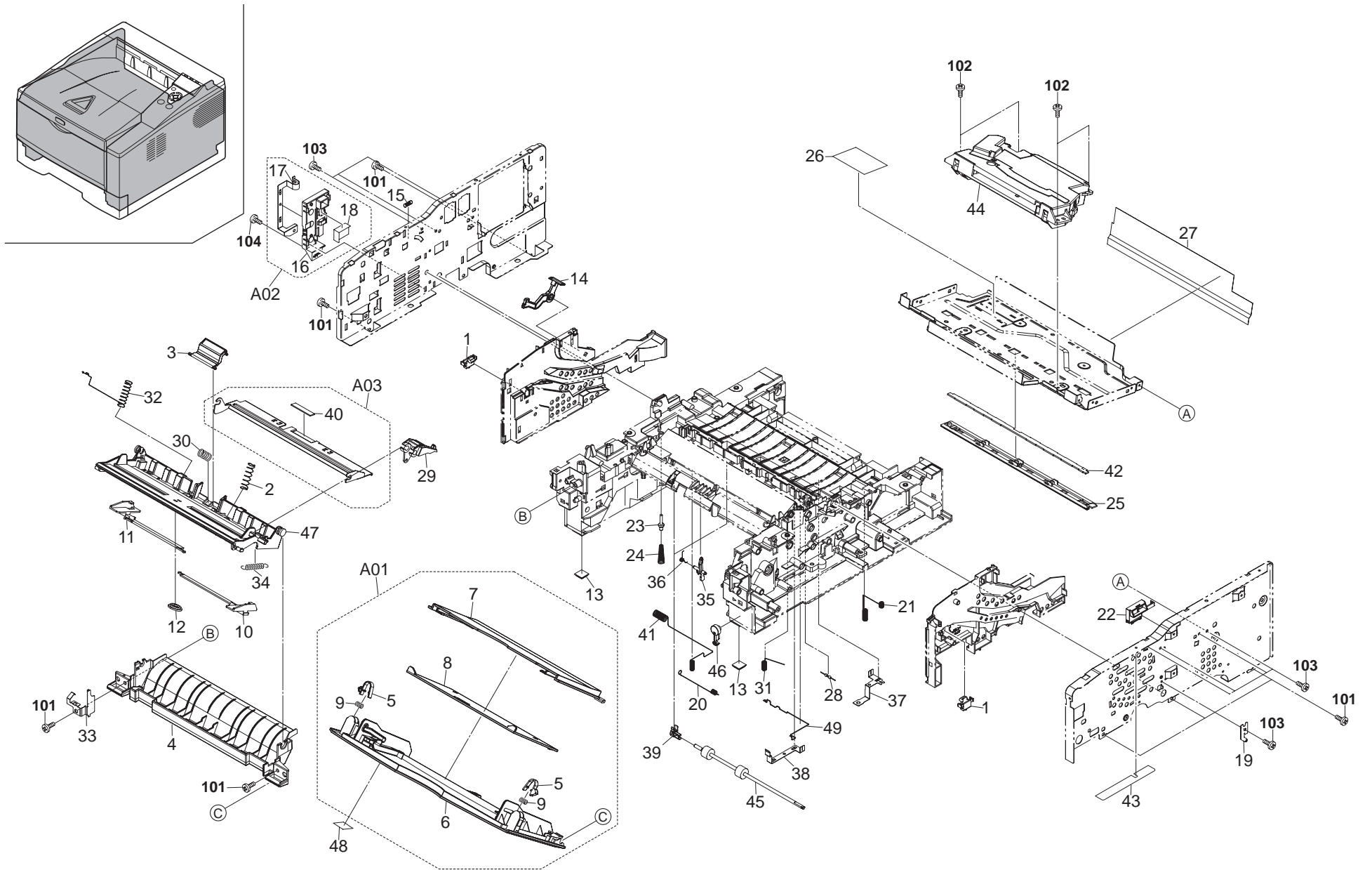


FIG. 2 Frames

2H4

	Ref. No.	Part.No.	Alternative.	Description	Quantity	
					120	230
	1	302F902420	2F902420	LOCK COVER TOP R	2	2
	2	302F908270	2F908270	SP BOTTOM MPF L	1	1
⊙	3	302HS94040	2HS94040	SEPARATOR MPF ASSY	1	1
	4	302HS08040	2HS08040	GU DE TURN MPF	1	1
⊙	A01	302HS00010	2HS00010	TRAY MPF ASSY	1	1
	5	*302F908200	2F908200	LOCK COVER	2	2
	6	*302HS08020	2HS08020	COVER MPF KM	1	1
	7	*302HS08060	2HS08060	TRAY MPF MID	1	1
	8	*302HS08220	2HS08220	TRAY MPF TOP	1	1
	9	*302HS08320	2HS08320	SPRING COVER MPF	2	2
	10	302HS08241	2HS08241	GU DE MPF R	1	1
	11	302HS08251	2HS08251	GU DE MPF L	1	1
	12	5MVG137DN032	2A806720	GEAR MPF /A-49 MPF A4	1	1
⊙	13	302J002010	2J002010	FOOT	2	2
⊙	14	302HS02090	2HS02090	LEVER STOPPER DLP	1	1
	15	302HS02100	2HS02100	SPRING STOPPER DLP	1	1
⊙	A02	302HS94280	2HS94280	HOLDER MCH ASSY	1	1
	16	*302HS02131	2HS02131	HOLDER MC	1	1
	17	*302HS02140	2HS02140	PLATE CONTACT MC	1	1
	18	*302HS02680	2HS02680	SHEET MC CABLE	1	1
	19	302HS02291	2HS02291	PLATE EARTH DRUM	1	1
	20	302H402060	2H402060	SPRING EARTH DU FEED	1	1
	21	302HS02330	2HS02330	SPRING EARTH DU PLATE	1	1
	22	302HS02350	2HS02350	COVER CABLE B	1	1
	23	302HS02460	2HS02460	PIN CONTACT BIAS	1	1
	24	302HS02470	2HS02470	SPRING PIN BIAS	1	1
	25	302H402020	2H402020	HOLDER ERASER	1	1
	26	302HS02580	2HS02580	SHEET DUCT LSU	1	1
	27	302HS02590	2HS02590	SHEET DUCT FD	1	1
	28	7RHA2H10701+H01	RH043740	M.GLAZE R. 100M/1 1/2W	1	1
	29	302HS08100	2HS08100	BRACKET BOTTOM	1	1
	30	302HS08170	2HS08170	SPRING SEPARATOR	1	1
	31	302HS24300	2HS24300	SPRING CONTACT TC	1	1
	32	302HS08210	2HS08210	SPRING EARTH MPF	1	1
	33	302HS08230	2HS08230	PLATE EARTH BOTTOM	1	1
	34	302HS08270	2HS08270	SPRING BRACKET	1	1
	35	302HS24060	2HS24060	ACTUATOR REGIST	1	1
	36	302HS24070	2HS24070	SPRING ACTUATOR REG	1	1
	37	302HS24080	2HS24080	PLATE EARTH HV	1	1
	38	302HS24110	2HS24110	PLATE ERATH PAPER CHUTE	1	1
	39	302HS24130	2HS24130	BUSH 4 DU ROLL	2	2
⊙	A03	302HS94050	2HS94050	PLATE BOTTOM MPF ASSY	1	1
	40	*302F908310	2F908310	PAD FRICTION MPF	1	1
	41	302HS02160	2HS02160	SPRING MC	1	1
⊙	42	302H494020	2H494020	ERASER KIT (N) SP	1	1
	43	302HS02670	2HS02670	SHEET FAN R	1	1
⊙	44	302HS93091	2HS93091	LK-130	1	1
⊙	45	302HS24160	2HS24160	ROLLER DU	2	2
⊙	46	302HS02650	2HS02650	HOOK PF	1	1
	47	302HS08050	2HS08050	BASE MPF	1	1

	Ref. No.	Part.No.	Alternative.	Description	Quantity	
					120	230
⊙	48	302G634070	2G634070	LABEL ENERGY STAR	1	1
	49	302H402040	2H402040	SPRING REG GND	1	1
	101	5MBTPB4010PW++R	B1A64100	B ND T.T SCREW(+)/ M4 X 10 CRFREE P-T		
	102	7BB600308H	BB055190	+BIND SCREW M3X8 CRFREE SR		
	103	5MBTPB3006TW++R	B1A53060	B ND T.T SCREW(+)/ M3 X 6 CRFREE S-T		
	104	5MBTPB3008PW++R	B1A63080	B ND T.T SCREW(+)/ M3 X 8 CRFREE P-T		

- Parts with "*" are component parts or sub-assemblies of the assembly appearing immediately above them.
- Parts with "⊙" indicate regular maintenance parts.

- Parts with "••" are component parts or sub-assembly with "•" appearing immediately above them.

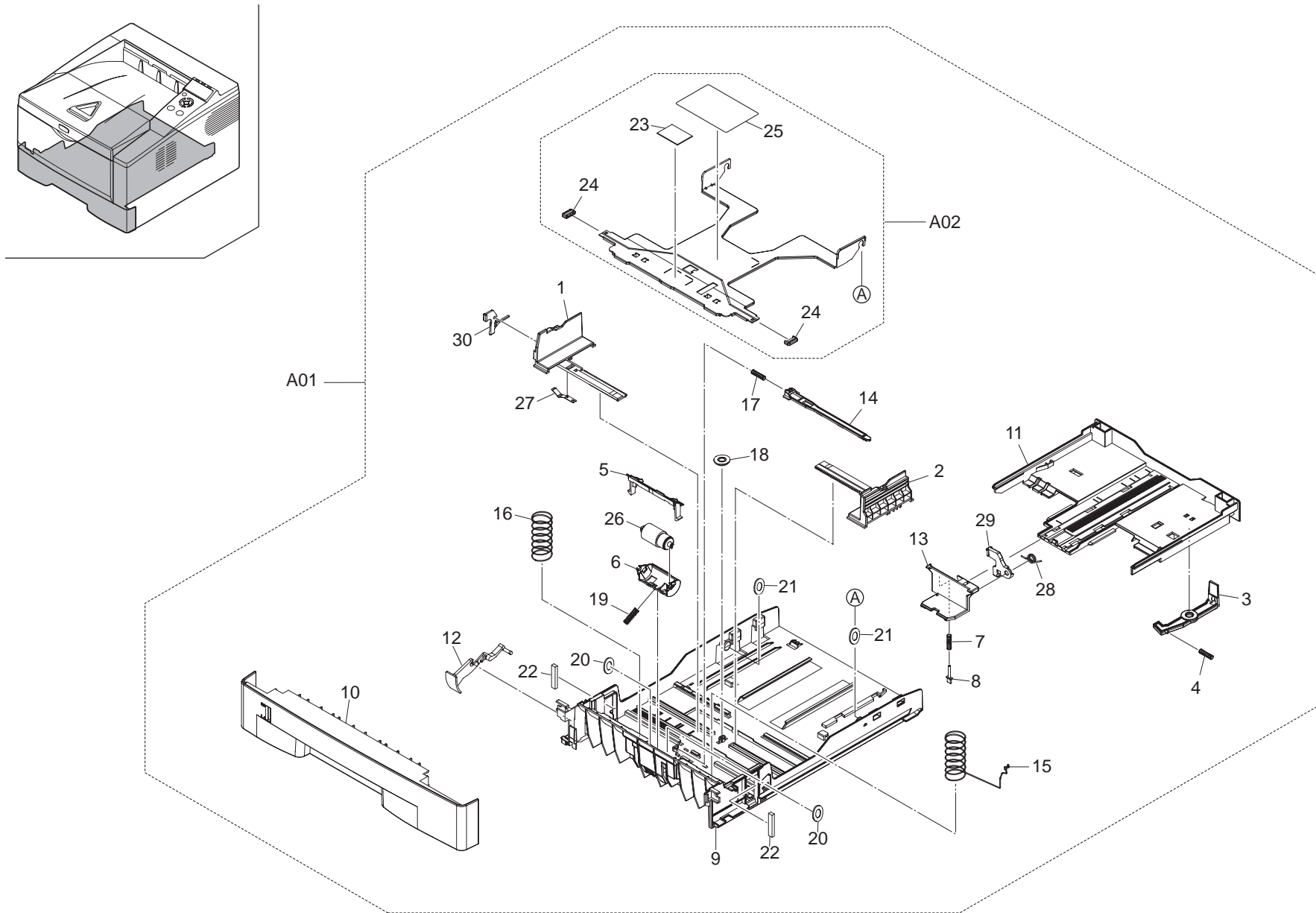


FIG. 3 Paper Cassette

	Ref. No.	Part.No.	Alternative.	Description	Quantity	
					120	230
⊙	A01	302HS93082	2HS93082	CT-130	1	1
	1	*2FM06010	5MVX765SH004	GU DE SIDE L /B-11 CASSETTE A2	1	1
	2	*2FM06020	5MVX765SH005	GU DE SIDE R /B-11 CASSETTE A2	1	1
	3	*302F909031	2F909031	LEVER BASE CAS REAR	1	1
	4	*302F909040	2F909040	SPRING BASE CAS REAR	1	1
	5	*302GJ09111	2GJ09111	GU DE RETARD	1	1
	6	*302GJ09120	2GJ09120	HOLDER RETARD	1	1
	7	*302HN09190	2HN09190	SPRING FIX	1	1
	8	*302HN09240	2HN09240	SIZE FIX	1	1
	9	*302HS09011	2HS09011	BASE CASSETTE	1	1
⊙	10	*302HS09020	2HS09020	COVER CASSETTE KM	1	1
	11	*302HS09040	2HS09040	BASE CASSETTE REAR	1	1
	12	*302HS09070	2HS09070	PAPER INDICATOR	1	1
	13	*302HS09081	2HS09081	CURSOR END	1	1
	14	*302HS09100	2HS09100	LOCK BOTTOM	1	1
	15	*302HS09120	2HS09120	SPRING BOTTOM L	1	1
	16	*302HS09130	2HS09130	SPRING BOTTOM R	1	1
	17	*302HS09140	2HS09140	SPRING LOCK BOTTOM	1	1
	18	*302HS09160	2HS09160	GEAR CASSETTE	1	1
	19	*302HS09180	2HS09180	SPRING RETARD	1	1
	20	*302HS09210	2HS09210	SEAL RETARD WASHER	2	2
	21	*302HS09220	2HS09220	CUT POLYSLIDER 11_8	2	2
	22	*302HS09231	2HS09231	SPONGE CASSETTE	2	2
⊙	A02	*302HS94000	2HS94000	PLATE BOTTOM ASSY	1	1
	23	**302F909210	2F909210	PAD BOTTOM	1	1
	24	**302HS09170	2HS09170	CAP BOTTOM	2	2
	25	**302HS34030	2HS34030	LABEL OPERATION	1	1
⊙	26	*5AAVROLL+052	2BR06520	RETARD ROLL ASSY /43487V0005 A4	1	1
	27	*5MMP141LD002	2A807510	PLATE S DE GUIDE /A49 CASSETTE A4	1	1
	28	*5MMW171LD006	2A807530	SPRING STOPPER /A49 CASSETTE A4	1	1
	29	*5MVX541DG002	2A807191	LEVER REAR /A-49 CASSETTE A3	1	1
	30	*5MVX541DG003	2A807161	LEVER S DE /A-49 CASSETTE A3	1	1

- Parts with "*" are component parts or sub-assemblies of the assembly appearing immediately above them.
- Parts with "⊙" indicate regular maintenance parts.

- Parts with "••" are component parts or sub-assembly with "•" appearing immediately above them.

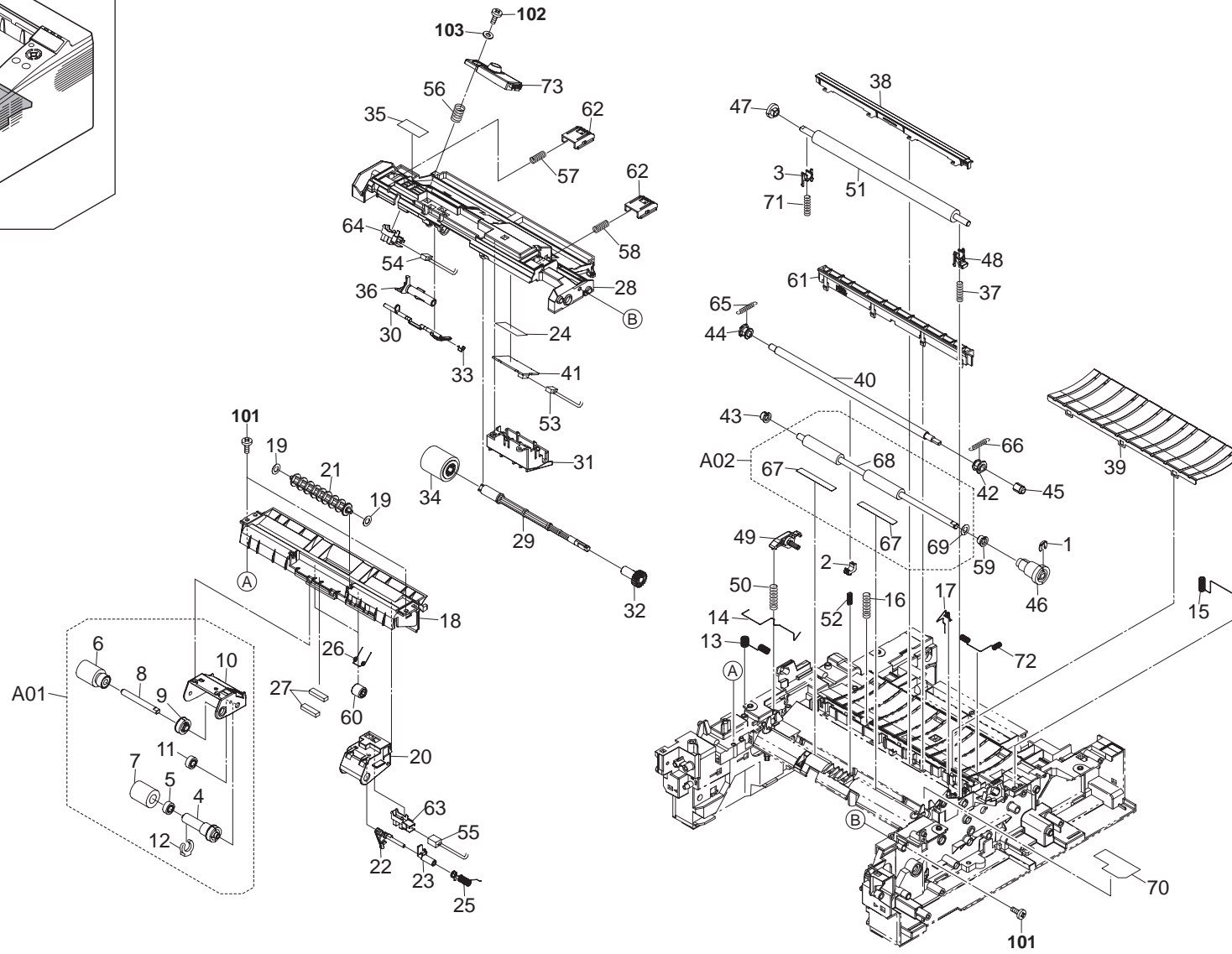
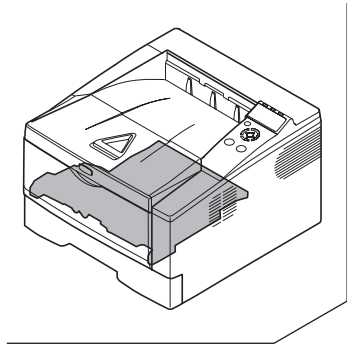


FIG. 4 Paper Feed Section 1

2H4

Ref. No.	Part.No.	Alternative.	Description	Quantity	
				120	230
⊙ 1	5MVX111DN003	2A806250	R NG STOPPER /A-49 FEED A4	1	1
2	2FM02180	5MVX221DN020	BUSH REGIST C /B-11 FRAME A3	1	1
⊙ 3	302A816031	2A816031	BUSH TC R /A-49 FEED A4	1	1
⊙ A01	302HS94032	2HS94032	HOLDER FEED ASSY	1	1
4	*302F906170	2F906170	JOINT PICKUP A	1	1
5	*302F906180	2F906180	JOINT PICKUP B	1	1
6	*302F906230	2F906230	PULLEY FEED ASSY	1	1
7	*302F906240	2F906240	PULLEY PICKUP ASSY	1	1
8	*302F906272	2F906272	SHAFT FEED L	1	1
9	*302F906280	2F906280	GEAR FEED Z30H	1	1
10	*302HS06020	2HS06020	HOLDER FEED	1	1
⊙ 11	*302HS06090	2HS06090	GEAR Z22S FEED	1	1
⊙ 12	*5MVX111DN003	2A806250	R NG STOPPER /A-49 FEED A4	1	1
13	302HS02250	2HS02250	SPRING EARTH REG UP	1	1
14	302HS02260	2HS02260	SPRING EARTH REG LOW	1	1
15	302HS02340	2HS02340	SPRING EARTH RIGHT	1	1
16	302HS02410	2HS02410	SPRING EARTH DU MID	1	1
17	302HS02440	2HS02440	SPRING EARTH DLP PLATE	1	1
18	302HS06010	2HS06010	FRAME FEED	1	1
19	302HS06150	2HS06150	SEAL FEED PULLEY	2	2
20	302HS06040	2HS06040	GU DE FEED R	1	1
21	302HS06050	2HS06050	PULLEY FEED	1	1
⊙ 22	302HS06060	2HS06060	ACTUATOR EMPTY A	1	1
⊙ 23	302HS06070	2HS06070	ACTUATOR EMPTY B	1	1
24	302HS19220	2HS19220	TAPE FFC	1	1
25	302HS06120	2HS06120	SPRING ACTUATOR	1	1
26	302HS06130	2HS06130	SPRING PULLEY	2	2
27	302HS06140	2HS06140	SEAL FRAME FEED	2	2
28	302HS08010	2HS08010	FRAME MPF	1	1
29	302HS08080	2HS08080	SHAFT FEED MPF	1	1
⊙ 30	302HS08110	2HS08110	ACTUATOR MPF	1	1
31	302HS08140	2HS08140	BASE IC PWB	1	1
⊙ 32	302HS08160	2HS08160	GEAR Z20S MPF	1	1
33	302HS08190	2HS08190	SPRING ACTUATOR	1	1
⊙ 34	302HS08260	2HS08260	ROLLER M/P ASSY	1	1
35	302HS08290	2HS08290	FILM SENSOR	1	1
36	302HS08300	2HS08300	HOLDER FEED M/P	1	1
37	302HS24400	2HS24400	SPRING TC R	1	1
38	302HS24010	2HS24010	GU DE PAPER CHUTE	1	1
39	302HS24020	2HS24020	GU DE EARTH	1	1
⊙ 40	302HS24040	2HS24040	ROLLER REGIST UP	1	1
41	302HS01130	2HS01130	P.W.B RFID WITH SOFTWARE	1	1
42	302HS24120	2HS24120	BUSH REGIST	1	1
43	302HS24140	2HS24140	BUSH 6 EW	1	1
44	302H402050	2H402050	BUSH REGIST	1	1
⊙ 45	302HS24190	2HS24190	GEAR Z14R REG UP	1	1
⊙ 46	302HS24200	2HS24200	GEAR Z21L-Z23L REG LOW	1	1
⊙ 47	302HS24210	2HS24210	GEAR Z16L TC	1	1
⊙ 48	302HS24250	2HS24250	BUSH TC R	1	1
49	302HS24260	2HS24260	LEVER RELEASE TC L	1	1

Ref. No.	Part.No.	Alternative.	Description	Quantity	
				120	230
⊙ 50	302HS24280	2HS24280	SPRING RELEASE TC L	1	1
51	302HS24170	2HS24170	ROLLER TRANSFER E	1	1
⊙ 51	302HS24340	2HS24340	ROLLER TRANSFER U	1	1
52	302HS24360	2HS24360	SPRING REGIST C	1	1
53	302HS46050	2HS46050	CONN.CORD ASSY CONTROL-RF D S03244	1	1
54	302HS46150	2HS46150	CONN.CORD ASSY CONTROL-MPFSENSOR S03	1	1
55	302HS46160	2HS46160	CONN.CORD ASSY CONTROL-P.SENSOR S03304	1	1
56	5MMW261LD036	2A814570	SPRING TE SENSOR /A-49 DLP A4	1	1
57	5MMW261LD067	2FV02270	SPRING LEVER LOCK L	1	1
58	5MMW261LD068	2FV02280	SPRING LEVER LOCK R	1	1
59	302HS24460	2HS24460	BUSH REGIST R	1	1
60	5MVM273DB005	2A820100	PULLEY EXIT /A-49 FUSER A3	2	2
⊙ 61	302HS94060	2HS94060	HOLDER DC BRUSH ASSY	1	1
⊙ 62	5MVX431DN005	2FV02100	LEVER LOCK DLP	2	2
63	7NXSG2481+++H01	NX052600	SENSOR OPT.	1	1
64	7NXSG2481+++H01	NX052600	SENSOR OPT.	1	1
⊙ 65	302HS24350	2HS24350	SPRING REGIST L	1	1
⊙ 66	302HS24240	2HS24240	SPRING REGIST R	1	1
⊙ A02	302HS94081	2HS94081	REGIST LOW KIT	1	1
67	*302HS24181	2HS24181	SHEET REGIST	2	2
68	*302HS24410	2HS24410	ROLLER REGIST LOW	1	1
69	*7BC460529080H01	BC059590	CUT WASHER 5 2X9 0X0 8T(BLACK)	1	1
70	302HS24420	2HS24420	FILM REGIST GUIDE	1	1
71	302HS24390	2HS24390	SPRING TC L	1	1
72	302HS24310	2HS24310	SPRING EARTH BRUSH	1	1
⊙ 73	302HS94150	2HS94150	EMPTY SENSOR KIT SP	1	1
101	5MBTPB4010PW++R	B1A64100	B ND T.T SCREW(+) / M4 X 10 CRFREE P-T		
102	BAA63080	BAA63080	+TP TAP-TITE P SCREW M3X08		
103	7BC00030A080H01	BC046150	WASHER M3X10X0.8T		

- Parts with "*" are component parts or sub-assemblies of the assembly appearing immediately above them.
- Parts with "⊙" indicate regular maintenance parts.

- Parts with "••" are component parts or sub-assembly with "•" appearing immediately above them.

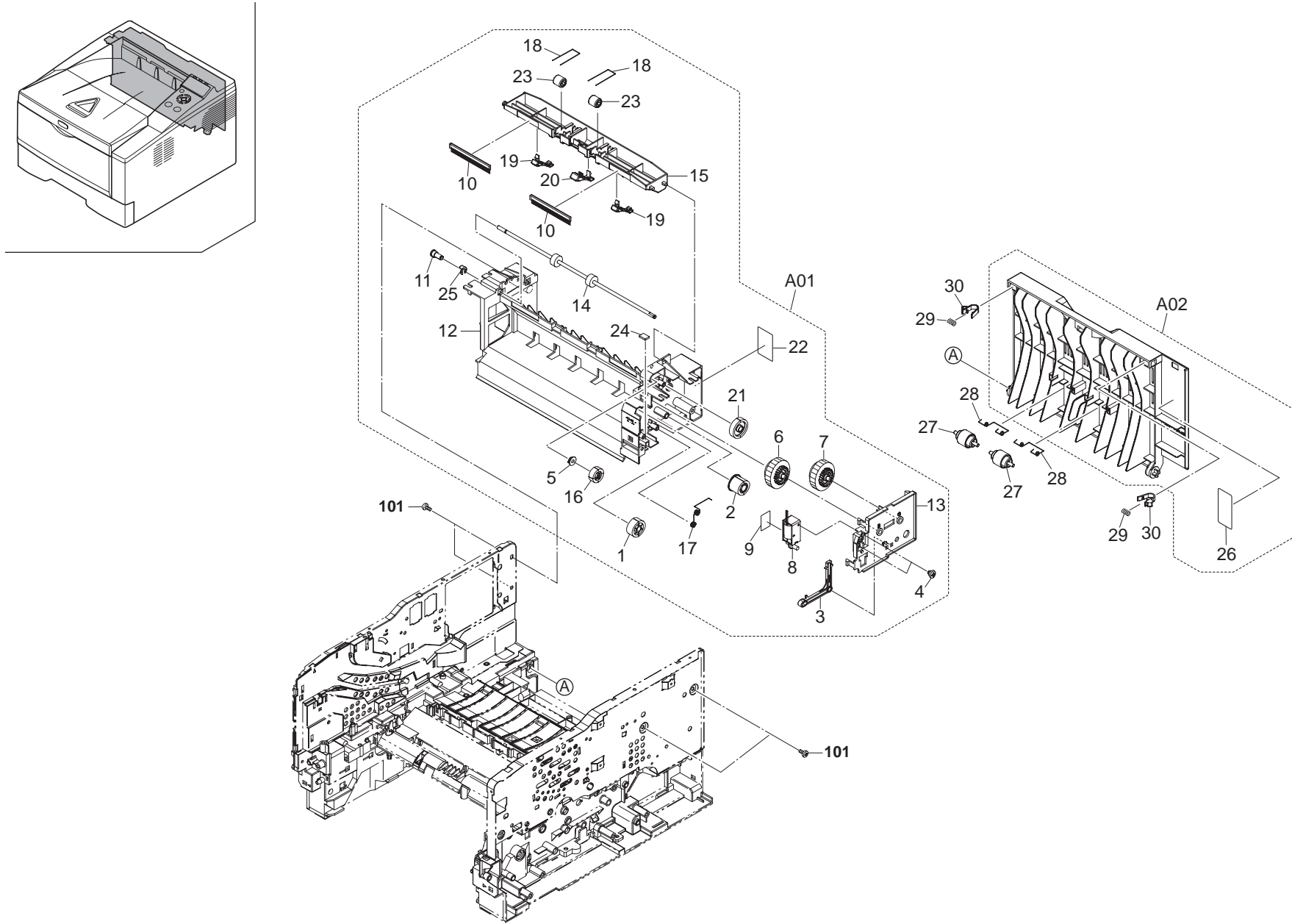


FIG. 5 Paper Feed Section 2

2H4

	Ref. No.	Part.No.	Alternative.	Description	Quantity	
					120	230
⊙	A01	302H494050	2H494050	FD ASSY (2H4) SP	1	1
⊙	1	*2BL06380	2BL06380	GEAR Z25 JOINT	1	1
⊙	2	*2FM02350	5MVG133DN022	GEAR Z22 /B-11 FRAME A4	1	1
⊙	3	*2FM20050	5MVX651DN001	LEVER SOLENO D /B-11 FD A3	1	1
	4	*302F325010	2F325010	STUD SCREW M3	2	2
	5	*302F929140	2F929140	BUSH DU	1	1
⊙	6	*302FM94020	2FM94020	GEAR CLUTCH ASSY A SP	1	1
⊙	7	*302FM94030	2FM94030	GEAR CLUTCH ASSY B SP	1	1
⊙	8	*302G694070	2G694070	SOLENOID ASSY SP	1	1
	9	*302H428010	2H428010	FILM SOLENOID	1	1
⊙	10	*302H428020	2H428020	DISCHARGER FD	2	2
	11	*302HN29050	2HN29050	BUSH DU	1	1
	12	*302HS28012	2HS28012	FRAME FD	1	1
	13	*302HS28021	2HS28021	COVER FRAME FD	1	1
⊙	14	*302HS28030	2HS28030	ROLLER FD UP	1	1
	15	*302HS28040	2HS28040	COVER FD	1	1
⊙	16	*302HS28060	2HS28060	GEAR Z21S	1	1
	17	*302HS28110	2HS28110	SPRING EARTH	1	1
	18	*302HS28141	2HS28141	SPRING PULLEY	2	2
	19	*302HS28150	2HS28150	GU DE FD SIDE	2	2
	20	*302HS28160	2HS28160	GU DE FD CENTER	1	1
⊙	21	*302HS28170	2HS28170	GEAR FD Z29S	1	1
	22	*302JA34280	2JA34280	LABEL FUSER CAUTION	1	1
	23	*5MVM273DB005	2A820100	PULLEY EXIT /A-49 FUSER A3	2	2
	24	*5MVS217SN002	2A806280	PAD SOLENO D /FS-1000 A4	1	1
	25	*5MVX111DN007	2BT11070	STOPPER 3 /2BT1107 A4	1	1
⊙	A02	302HS94160	2HS94160	COVER REAR ASSY SP	1	1
	26	*302HS34020	2HS34020	LABEL FUSER JAM	1	1
	27	302HS28070	2HS28070	PULLEY EXIT	2	2
	28	302HS28120	2HS28120	SPRING EXIT	2	2
	29	302HS08320	2HS08320	SPRING COVER MPF	2	2
	30	302F908200	2F908200	LOCK COVER	2	2

Ref. No.	Part.No.	Alternative.	Description	Quantity	
				120	230
101	5MBTPB4010PW++R	B1A64100	B ND T.T SCREW(+)/ M4 X 10 CRFREE P-T		

- Parts with "*" are component parts or sub-assemblies of the assembly appearing immediately above them.
- ⊙ Parts with "⊙" indicate regular maintenance parts.

- Parts with "••" are component parts or sub-assembly with "•" appearing immediately above them.

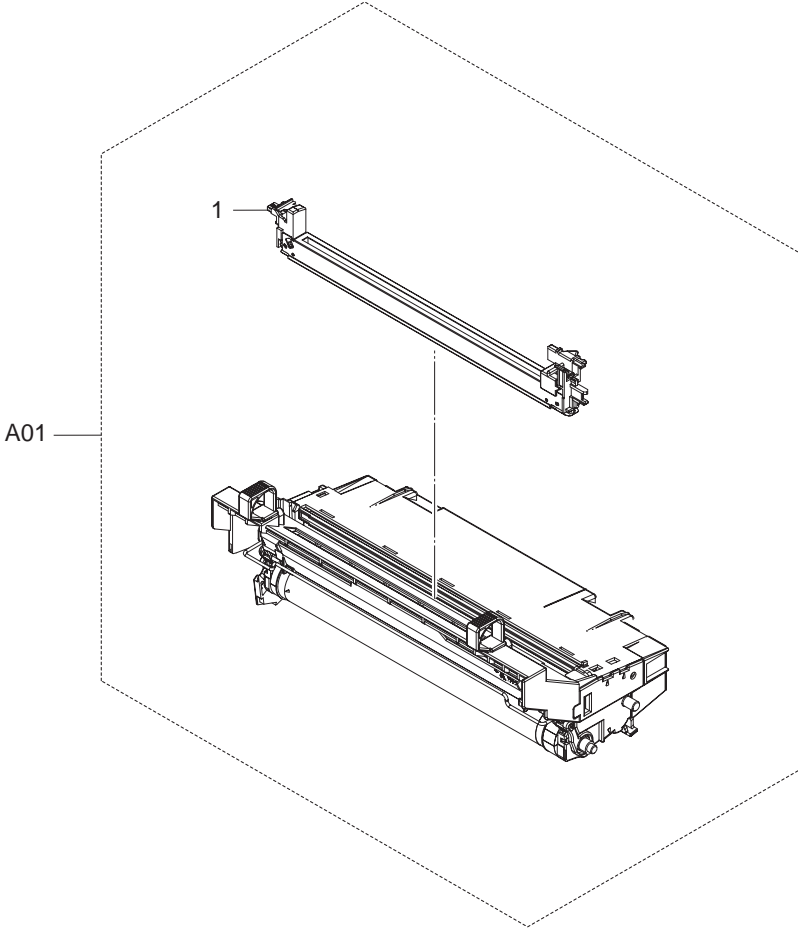
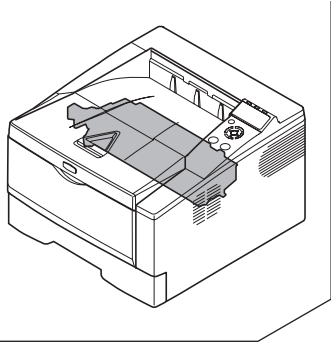


FIG. 6 Image Formation Section

2H4

	Ref. No.	Part.No.	Alternative.	Description	Quantity	
					120	230
⊙	A01	302H493010	2H493010	DK-150	1	1
⊙	1	*302HS93070	2HS93070	MC-130	1	1

- Parts with "•" are component parts or sub-assemblies of the assembly appearing immediately above them.
- Parts with "⊙" indicate regular maintenance parts.

- Parts with "••" are component parts or sub-assembly with "•" appearing immediately above them.

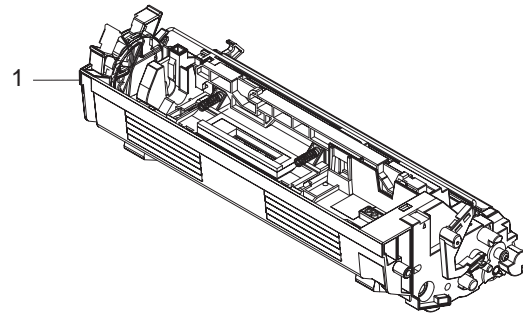
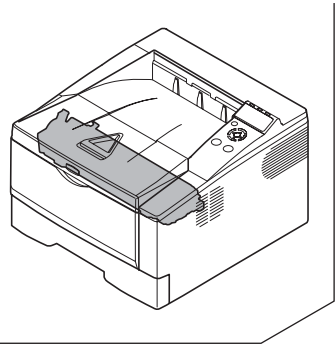


FIG. 7 Developing Section

	Ref. No.	Part.No.	Alternative.	Description	Quantity	
					120	230
⊙	1	302HS93101	2HS93101	DV-132(U)	1	
⊙	1	302HS93021	2HS93021	DV-130(E)		1

- Parts with "•" are component parts or sub-assemblies of the assembly appearing immediately above them.
- Parts with "⊙" indicate regular maintenance parts.

- Parts with "••" are component parts or sub-assembly with "•" appearing immediately above them.

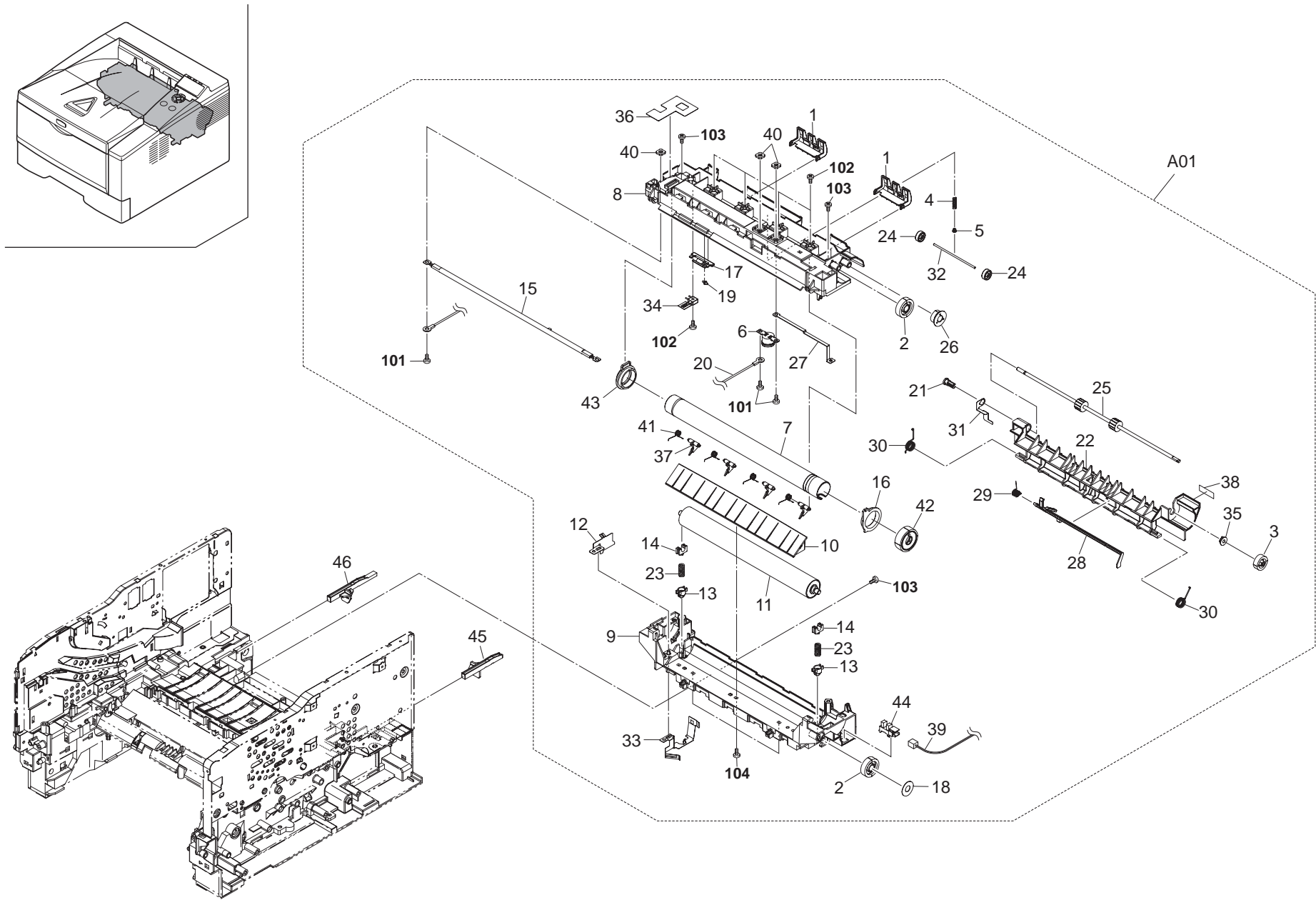


FIG. 8 Fuser Section

2H4

	Ref. No.	Part.No.	Alternative.	Description	Quantity	
					120	230
⊙	A01	302H493020	2H493020	FK-150(E)		1
⊙	A01	302H493030	2H493030	FK-150(U)	1	
	1	*2FM02190	5MVX532DN004	GU DE CHANGE /B-11 FRAME A3	2	2
⊙	2	*302F925080	2F925080	GEAR DLE A Z29	2	2
⊙	3	*302F925140	2F925140	GEAR EXIT Z21	1	1
	4	*302F925340	2F925340	SPRING EXIT	1	1
	5	*302F925901	2F925901	CAP SPRING EXIT	1	1
⊙	6	*302GR25290	2GR25290	THERMOSTAT M FUSER	1	1
⊙	7	*302H425010	2H425010	ROLLER HEAT	1	1
	8	*302H425050	2H425050	FRAME FUSER UP	1	1
	9	*302H425060	2H425060	FRAME FUSER LOW	1	1
	10	*302H425070	2H425070	GU DE FUSER	1	1
⊙	11	*302H425090	2H425090	ROLLER PRESS	1	1
	12	*302H425100	2H425100	PLATE EARTH ROLLER	1	1
	13	*302H425110	2H425110	HOLDER SPRING PRESS	2	2
⊙	14	*302H425120	2H425120	BUSH PRESS	2	2
⊙	15	*302H425130	2H425130	HEATER LAMP E		1
⊙	15	*302H425140	2H425140	HEATER LAMP U	1	
⊙	16	*302H425150	2H425150	BUSH HEAT R	1	1
	17	*302H425170	2H425170	HOLDER PULLEY	1	1
	18	*302H425180	2H425180	FILM GEAR PROTECT	1	1
	19	*302H425190	2H425190	PULLEY GUIDE FUSER	1	1
	20	*302H446050	2H446050	CONN.CORD ASSY PWS-HEATER(E) S03508		1
	20	*302H446060	2H446060	CONN.CORD ASSY PWS-HEATER(U) S03509	1	
	21	*302HN25450	2HN25450	BUSH EXIT	1	1
	22	*302HS25030	2HS25030	GU DE EXIT LOW	1	1
	23	*302HS25040	2HS25040	SPRING PRESSURE	2	2
⊙	24	*302HS25050	2HS25050	PULLEY EXIT FUSER	2	2
⊙	25	*302HS25060	2HS25060	ROLLER EXIT	1	1
⊙	26	*302HS25070	2HS25070	GEAR Z18S IDLE	1	1
	27	*302HS25080	2HS25080	PLATE CODE	1	1
	28	*302HS25110	2HS25110	ACTUATOR FUSER	1	1
	29	*302HS25120	2HS25120	SPRING ACTUATOR	1	1
	30	*302HS25130	2HS25130	SPRING EXIT L	2	2
	31	*302HS25140	2HS25140	PLATE EARTH EXIT	1	1
	32	*302HS25150	2HS25150	SHAFT EXIT	1	1
	33	*302HS25160	2HS25160	PLATE EARTH L	1	1
⊙	34	*302HS25190	2HS25190	THERMISTOR FUSER	1	1
	35	*302HS25220	2HS25220	BUSH FUSER	1	1
	36	*302HS25400	2HS25400	SHEET FUSER	1	1
⊙	37	*302HS25460	2HS25460	SEPARATOR	4	4
	38	*302HS34120	2HS34120	LABEL FUSER OPERATION	1	1
	39	*302HS46140	2HS46140	CONN.CORD ASSY CONTROL-EXITSSENSOR S03	1	1
	40	*5MMS111SL002	2BY20050	NUT FUSER A /FS-1800/3800 A4	3	3
	41	*5MMW261LD055	2A820350	SPRING SEPARATOR /FS-1000 A4	4	4
⊙	42	*5MVG148XN010	2BR20200	GEAR HEAT Z36 /43307P0005 A4	1	1
⊙	43	*5MVX441XN001	2BR20180	BUSH HEAT L /43307P0003 A4	1	1
	44	*7NXSG2481+++H01	NX052600	SENSOR OPT.	1	1
	45	302HS25200	2HS25200	LEVER FUSER R	1	1
	46	302HS25210	2HS25210	LEVER FUSER L	1	1

	Ref. No.	Part.No.	Alternative.	Description	Quantity	
					120	230
	101	5MBSP43006NW++R	B4A03060	TP HEAD SCREW(+)/ M3 X 6 DRFREE		
	102	5MBTPB3012PW++R	B1A63120	B ND T.T SCREW(+)/ M3 X 12 CRFREE P-T		
	103	5MBTPB4010PW++R	B1A64100	B ND T.T SCREW(+)/ M4 X 10 CRFREE P-T		
	104	5MBTPB3008PW++R	B1A63080	B ND T.T SCREW(+)/ M3 X 8 CRFREE P-T		

- Parts with "*" are component parts or sub-assemblies of the assembly appearing immediately above them.
- Parts with "⊙" indicate regular maintenance parts.

- Parts with "••" are component parts or sub-assembly with "•" appearing immediately above them.

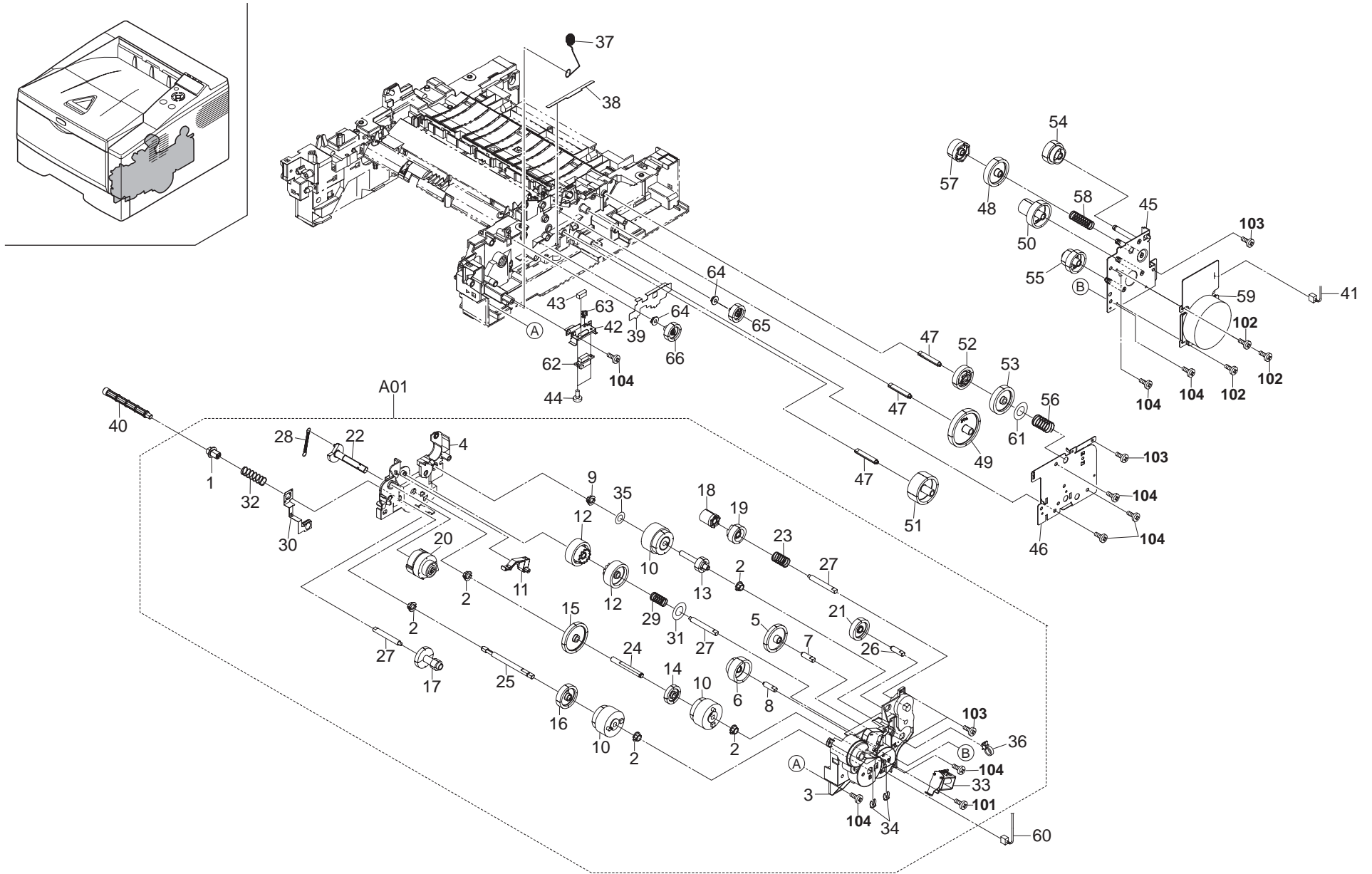


FIG. 9 Drive Section

2H4

	Ref. No.	Part.No.	Alternative.	Description	Quantity	
					120	230
⊙	A01	302H493040	2H493040	DR-150	1	1
	1	*302F931350	2F931350	JOINT SHAFT CASSETTE	1	1
	2	*302F931490	2F931490	BUSH FEED DRIVE	5	5
	3	*302H431010	2H431010	HOLDER DRIVE	1	1
	4	*302H431020	2H431020	COVER HOLDER DRIVE	1	1
⊙	5	*302H431030	2H431030	GEAR Z42R	1	1
⊙	6	*302H431040	2H431040	GEAR Z34L-Z24L	1	1
	7	*302H431050	2H431050	PIN HOLDER A	1	1
	8	*302H431060	2H431060	PIN HOLDER B	1	1
	9	*302H431070	2H431070	BUSH DRIVE 6	1	1
⊙	10	*302HN44110	2HN44110	CLUTCH FEED	3	3
	11	*302HS31050	2HS31050	LEVER LIFT BOTTOM	1	1
⊙	12	*302HS31090	2HS31090	GEAR Z37L FREE	2	2
⊙	13	*302HS31100	2HS31100	GEAR Z20L CLUTCH	1	1
⊙	14	*302HS31120	2HS31120	GEAR Z27L CLUTCH	1	1
⊙	15	*302HS31130	2HS31130	GEAR Z45R CLUTCH	1	1
⊙	16	*302HS31140	2HS31140	GEAR Z35R IDLE	1	1
⊙	17	*302HS31150	2HS31150	GEAR Z31L-Z14S	1	1
⊙	18	*302HS31190	2HS31190	GEAR Z17R FREE	1	1
⊙	19	*302HS31200	2HS31200	GEAR Z26L FREE	1	1
⊙	20	*302HS31230	2HS31230	GEAR Z38S MPF	1	1
⊙	21	*302HS31260	2HS31260	GEAR Z32R	1	1
	22	*302HS31281	2HS31281	L FT BOTTOM	1	1
	23	*302HS31320	2HS31320	SPRING FREE MAG	1	1
	24	*302HS31330	2HS31330	PIN CLUTCH	1	1
	25	*302HS31340	2HS31340	SHAFT CASSETTE	1	1
	26	*302HS31360	2HS31360	PIN HOLDER A	1	1
	27	*302HS31370	2HS31370	PIN HOLDER B	3	3
	28	*302HS31380	2HS31380	SPRING L FT BOTTOM	1	1
	29	*302HS31410	2HS31410	SPRING FREE Z37L	1	1
	30	*302HS31420	2HS31420	EARTH PLATE DRIVE	1	1
	31	*302HS31430	2HS31430	POLYSLIDER 9.5	1	1
	32	*302HS31440	2HS31440	SPRING FEED	1	1
⊙	33	*302HS44020	2HS44020	SOLENOID MPF	1	1
⊙	34	*5MVX111DN003	2A806250	R NG STOPPER /A-49 FEED A4	2	2
	35	*7BC06062C020H01	BC045240	POLY SLIDER WASHER M6.2X12X0 2T	1	1
	36	*M2107250	M2107250	BAND,RSG-100(KITAGAWA)	1	1
	37	302HS02370	2HS02370	SPRING EARTH CASSETTE	1	1
	38	302HS02520	2HS02520	COVER CABLE E	1	1
	39	302HS02530	2HS02530	COVER CABLE F	1	1
	40	302HS06110	2HS06110	SHAFT FEED	1	1
	41	302HS46040	2HS46040	CONN.CORD ASSY CONTROL-MAIN MOTOR S03	1	1
	42	302HS02380	2HS02380	PLATE PF CONNECTOR	1	1
	43	302HS46030	2HS46030	CONN.CORD ASSY CONTROL-PF S03247	1	1
	44	302HS02540	2HS02540	PIN DRAWER	2	2
⊙	45	302HS31020	2HS31020	PLATE DRIVE	1	1
	46	302HS31040	2HS31040	PLATE GEAR DRIVE	1	1
	47	302HS31060	2HS31060	PIN GEAR DRIVE	3	3
⊙	48	302HS31070	2HS31070	GEAR Z42R FREE 2	1	1
⊙	49	302HS31110	2HS31110	GEAR Z58L	1	1

- Parts with "*" are component parts or sub-assemblies of the assembly appearing immediately above them.
- Parts with "⊙" indicate regular maintenance parts.

	Ref. No.	Part.No.	Alternative.	Description	Quantity	
					120	230
⊙	50	302H431080	2H431080	GEAR Z64R-Z21L	1	1
⊙	51	302HS31180	2HS31180	GEAR Z44R	1	1
⊙	52	302HS31210	2HS31210	GEAR Z35S FREE	1	1
⊙	53	302HS31220	2HS31220	GEAR Z42R FREE	1	1
⊙	54	302HS31240	2HS31240	GEAR Z32L DRUM	1	1
⊙	55	302HS31250	2HS31250	GEAR Z54R-Z24R	1	1
	56	302HS31310	2HS31310	SPRING FREE FUSER	1	1
⊙	57	302HS31390	2HS31390	GEAR Z27R FREE 2	1	1
	58	302HS31400	2HS31400	SPRING FREE DRUM	1	1
⊙	59	302HS44010	2HS44010	MOTOR MAIN	1	1
	60	302HS46210	2HS46210	CONN.CORD ASSY CONTROL-F/RCLUTCH S03	1	1
	61	302HS31430	2HS31430	POLYSLIDER 9 5	1	1
	62	7YCC08B1112+H01	YC058670	CONNECTOR	1	1
	63	7YZM610007++H01	YZ023340	ACCESS.SADDLE	1	1
	64	302F929140	2F929140	BUSH DU	2	2
⊙	65	302HS24220	2HS24220	GEAR Z25R DU FEED	1	1
⊙	66	302HS24230	2HS24230	GEAR Z26L DU MID	1	1
	101	5MBTPB3008PW++R	B1A63080	B ND T.T SCREW(+)/ M3 X 8 CRFREE P-T		
	102	BAB53060	BAB53060	+TP TAP-TITE S SCREW M3X06		
	103	5MBTPB3006TW++R	B1A53060	B ND T.T SCREW(+)/ M3 X 6 CRFREE S-T		
	104	5MBTPB4010PW++R	B1A64100	B ND T.T SCREW(+)/ M4 X 10 CRFREE P-T		

- Parts with "••" are component parts or sub-assembly with "•" appearing immediately above them.

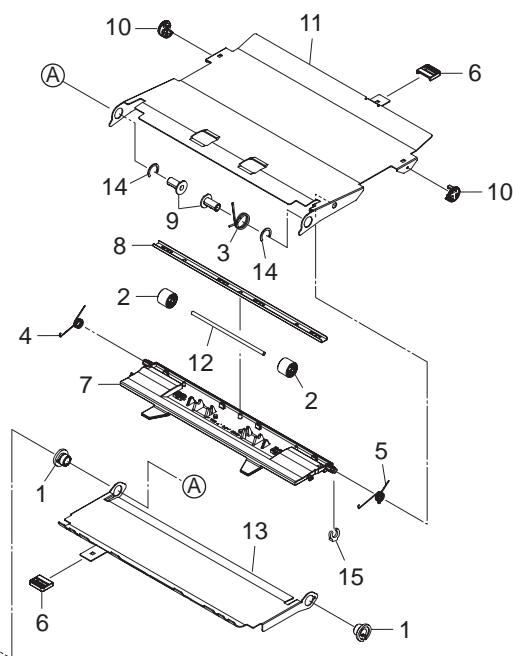
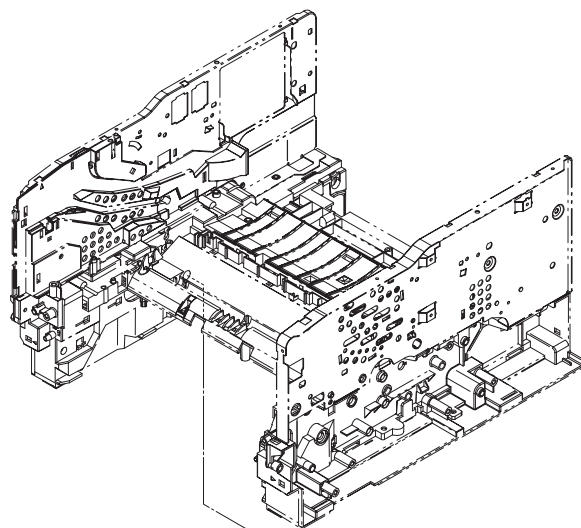
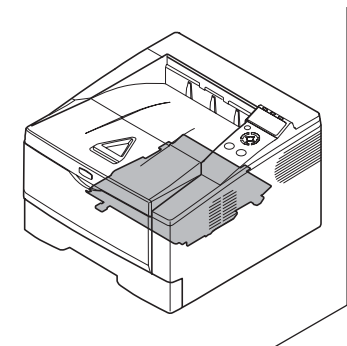


FIG. 10 Duplex Section

	Ref. No.	Part.No.	Alternative.	Description	Quantity	
					120	230
⊙	1	2FM02140	5MVM786XB001	BUSH DU /B-11 FRAME A3	2	2
	2	2FM02210	5MVM274DN002	PULLEY MID /B-11 FRAME A4	2	2
	3	2FM02500	5MMW176SD002	SPRING DU R /B-11 FRAME A4	1	1
	4	2FM02510	5MMW166SD002	SPRING HOLDER L /B-11 FRAME A4	1	1
	5	2FM02520	5MMW166SD003	SPRING HOLDER R /B-11 FRAME A4	1	1
	6	2FM02690	5MVX221DG002	LEVER DU /B-11 DU A3	2	2
	7	2FM21010	5MVX861XB001	HOLDER DU /B-11 DU A1	1	1
	8	2FM21020	5MML821SD009	STAY DU /B-11 DU A3	1	1
	9	2FM21030	5MVM276DN017	STOPPER BUSH /B-11 DU A4	2	2
	10	2FM21050	5MVX173DN001	COLLER DU /B-11 DU A3	2	2
	11	302HS29020	2HS29020	PLATE COVER DU B	1	1
	12	302FM02421	2FM02421	SHAFT PULLEY /B-11 FRAME A4	1	1
	13	302HS29010	2HS29010	PLATE COVER DU	1	1
	⊙	14	5MBCK9560XSC	D4103700	C STOP R NG /X9.5 X 0.6T S-CR	2
15		5MVX111DN003	2A806250	R NG STOPPER /A-49 FEED A4	1	1

- Parts with "•" are component parts or sub-assemblies of the assembly appearing immediately above them.
- Parts with "⊙" indicate regular maintenance parts.

- Parts with "••" are component parts or sub-assembly with "•" appearing immediately above them.

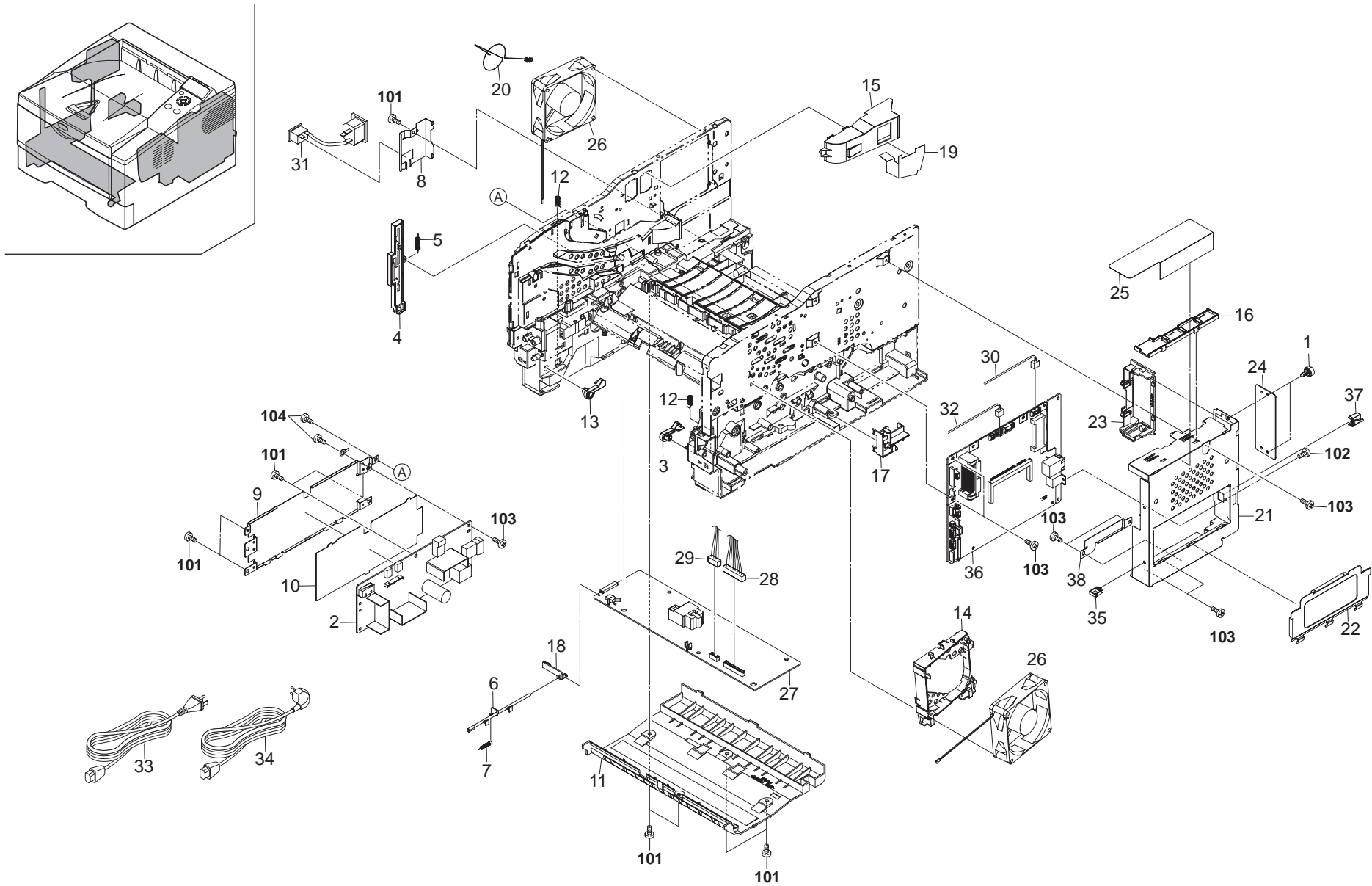


FIG. 11 Electrical Components

2H4

	Ref. No.	Part.No.	Alternative.	Description	Quantity	
					120	230
	1	302F939081	2F939081	SCREW BOX	2	2
⊙	2	302HS45020	2HS45020	SWITCHING REGULATOR 120V	1	
⊙	2	302HS45011	2HS45011	SWITCHING REGULATOR 230V		1
⊙	3	302HS02070	2HS02070	LEVER LOCK CASSETTE	1	1
⊙	4	302HS02110	2HS02110	LEVER INTERLOCK SW	1	1
	5	302HS02120	2HS02120	SPRING INTERLOCK SW	1	1
⊙	6	302HS02180	2HS02180	PIN CASSETTE	1	1
	7	302HS02190	2HS02190	SPRING PIN CASSETTE	1	1
	8	302HS02200	2HS02200	PLATE MAIN SW	1	1
⊙	9	302HS02210	2HS02210	PLATE POWER SUPPLY	1	1
	10	302HS02240	2HS02240	FILM POWER SUPPLY	1	1
	11	302HS02280	2HS02280	COVER BASE LOW	1	1
	12	302HS02360	2HS02360	SPRING LOCK CASSETTE	2	2
⊙	13	302HS02390	2HS02390	LEVER LOCK CASSETTE L	1	1
	14	302HS02420	2HS02420	BKT FAN R	1	1
	15	302HS02450	2HS02450	BKT FAN L	1	1
	16	302HS02490	2HS02490	COVER CABLE C	1	1
	17	302HS02510	2HS02510	COVER CABLE D	1	1
	18	302HS02561	2HS02561	HOLDER PIN CASSETTE	1	1
	19	302HS02610	2HS02610	SHEET DUCT BKT FAN	1	1
	20	302HS02620	2HS02620	SPRING EARTH FAN	1	1
	21	302H439010	2H439010	BOX CONTROLLER	1	1
	22	302HS39021	2HS39021	COVER BOX	1	1
	23	302HS39030	2HS39030	GU DE OPTION SLOT	1	1
	24	302HS39040	2HS39040	PLATE OPTION	1	1
⊙	25	302HS39051	2HS39051	FILM COVER CABLE	1	1
⊙	26	302HS44050	2HS44050	MOTOR FAN 80	2	2
	27	302HS45030	2HS45030	HIGH VOLTAGE UNIT	1	1
	28	302JA46020	2JA46020	CONN.CORD ASSY CONTROL-H.V.UNIT S03391	1	1
	29	302HS46070	2HS46070	CONN.CORD ASSY CONTROL-H.V.UNIT S03303	1	1
	30	302H446010	2H446010	CONN.CORD ASSY CONTROL-RELAY S03439	1	1
	31	302HS46120	2HS46120	CONN.CORD ASSY PWS- NLET S03238	1	1
	32	302HS46130	2HS46130	CONN.CORD ASSY CONTROL-ERASER S03252	1	1
	33	7AAACCUS+10H001	AA068380	AC CORD ASSY US	1	
	34	302FV45020	2FV45020	AC CORD ASSY		1
⊙	35	7YZM610008++H01	YZ037940	ACCESS.SADDLE	1	1
	36	302H494030	2H494030	P.W.BOARD ASSY CONTROL SP	1	1
	37	302F939090	2F939090	CAP NETWORK	1	1
	38	302H439020	2H439020	PLATE EARTH BOX	1	1

	Ref. No.	Part.No.	Alternative.	Description	Quantity	
					120	230
	101	5MBTPB4010PW++R	B1A64100	B ND T.T SCREW(+)/ M4 X 10 CRFREE P-T		
	102	5MBSPB3006NW++R	B1B03060	B ND HEAD SCREW(+)/ M3 X 6 CRFREE		
	103	5MBTPB3006TW++R	B1A53060	B ND T.T SCREW(+)/ M3 X 6 CRFREE S-T		
	104	5MBTPB4006TW++R	B1A54060	B ND T.T SCREW(+)/ M4 X 6 CRFREE S-T		

- Parts with "*" are component parts or sub-assemblies of the assembly appearing immediately above them.
- Parts with "⊙" indicate regular maintenance parts.

- Parts with "••" are component parts or sub-assembly with "•" appearing immediately above them.

	Part.No.	Alternative.	Description	Fig.No.
⊙	2BL06380	2BL06380	GEAR Z25 JOINT	5
	2FM02140	5MVM786XB001	BUSH DU /B-11 FRAME A3	10
	2FM02180	5MVX221DN020	BUSH REGIST C /B-11 FRAME A3	4
	2FM02190	5MVX532DN004	GUIDE CHANGE /B-11 FRAME A3	8
⊙	2FM02210	5MVM274DN002	PULLEY MID /B-11 FRAME A4	10
⊙	2FM02350	5MVG133DN022	GEAR Z22 /B-11 FRAME A4	5
	2FM02500	5MMW176SD002	SPR NG DU R /B-11 FRAME A4	10
	2FM02510	5MMW166SD002	SPR NG HOLDER L /B-11 FRAME A4	10
	2FM02520	5MMW166SD003	SPR NG HOLDER R /B-11 FRAME A4	10
	2FM02690	5MVX221DG002	LEVER DU /B-11 DU A3	10
	2FM06010	5MVX765SH004	GUIDE S DE L /B-11 CASSETTE A2	3
	2FM06020	5MVX765SH005	GUIDE S DE R /B-11 CASSETTE A2	3
	2FM20050	5MVX651DN001	LEVER SOLENOID /B-11 FD A3	5
	2FM21010	5MVX861XB001	HOLDER DU /B-11 DU A1	10
	2FM21020	5MML821SD009	STAY DU /B-11 DU A3	10
	2FM21030	5MVM276DN017	STOPPER BUSH /B-11 DU A4	10
	2FM21050	5MVX173DN001	COLLER DU /B-11 DU A3	10
⊙	302A816031	2A816031	BUSH TC R /A-49 FEED A4	4
	302F325010	2F325010	STUD SCREW M3	5
	302F902420	2F902420	LOCK COVER TOP R	2
	302F904120	2F904120	EMBLEM KYOCERA	1
	302F904130	2F904130	TAPE EMBLEM	1
	302F906170	2F906170	JO NT PICKUP A	4
	302F906180	2F906180	JO NT PICKUP B	4
	302F906230	2F906230	PULLEY FEED ASSY	4
	302F906240	2F906240	PULLEY PICKUP ASSY	4
	302F906272	2F906272	SHAFT FEED L	4
	302F906280	2F906280	GEAR FEED Z30H	4
	302F908200	2F908200	LOCK COVER	2,5
	302F908270	2F908270	SP BOTTOM MPF L	2
	302F908310	2F908310	PAD FRICTION MPF	2
	302F909031	2F909031	LEVER BASE CAS REAR	3
	302F909040	2F909040	SPR NG BASE CAS REAR	3
	302F909210	2F909210	PAD BOTTOM	3
⊙	302F925080	2F925080	GEAR IDLE A Z29	8
⊙	302F925140	2F925140	GEAR EXIT Z21	8
	302F925340	2F925340	SPR NG EXIT	8
	302F925901	2F925901	CAP SPRING EXIT	8
	302F929140	2F929140	BUSH DU	5,9
	302F931350	2F931350	JOINT SHAFT CASSETTE	9
	302F931490	2F931490	BUSH FEED DRIVE	9
	302F939081	2F939081	SCREW BOX	11
	302F939090	2F939090	CAP NETWORK	11
	302FM02421	2FM02421	SHAFT PULLEY /B-11 FRAME A4	10
⊙	302FM94020	2FM94020	GEAR CLUTCH ASSY A SP	5
⊙	302FM94030	2FM94030	GEAR CLUTCH ASSY B SP	5
	302FV45020	2FV45020	AC CORD ASSY	11
⊙	302G634070	2G634070	LABEL ENERGY STAR	2
⊙	302G694070	2G694070	SOLENOID ASSY SP	5
	302GJ09111	2GJ09111	GUIDE RETARD	3

	Part.No.	Alternative.	Description	Fig.No.
	302GJ09120	2GJ09120	HOLDER RETARD	3
⊙	302GR25290	2GR25290	THERMOSTAT M FUSER	8
⊙	302H400010	2H400010	COVER RIGHT ASSY	1
⊙	302H401030	2H401030	P.W BOARD ASSY PANEL	1
	302H402020	2H402020	HOLDER ERASER	2
	302H402030	2H402030	PLATE EARTH	1
	302H402040	2H402040	SPRING REG GND	2
	302H402050	2H402050	BUSH REGIST	4
	302H402060	2H402060	SPRING EARTH DU FEED	2
	302H404040	2H404040	COVER RIGHT	1
	302H404050	2H404050	SHEET LENS LED	1
	302H404060	2H404060	SHEET LCD	1
	302H405010	2H405010	BUTTON A	1
	302H405020	2H405020	BUTTON B	1
	302H405030	2H405030	BUTTON C	1
	302H405040	2H405040	BUTTON D	1
	302H405080	2H405080	SHEET BUTTON	1
	302H405110	2H405110	LENS LED	1
⊙	302H425010	2H425010	ROLLER HEAT	8
	302H425050	2H425050	FRAME FUSER UP	8
	302H425060	2H425060	FRAME FUSER LOW	8
	302H425070	2H425070	GUIDE FUSER	8
⊙	302H425090	2H425090	ROLLER PRESS	8
	302H425100	2H425100	PLATE EARTH ROLLER	8
	302H425110	2H425110	HOLDER SPRING PRESS	8
⊙	302H425120	2H425120	BUSH PRESS	8
⊙	302H425130	2H425130	HEATER LAMP E	8
⊙	302H425140	2H425140	HEATER LAMP U	8
⊙	302H425150	2H425150	BUSH HEAT R	8
	302H425170	2H425170	HOLDER PULLEY	8
	302H425180	2H425180	FILM GEAR PROTECT	8
	302H425190	2H425190	PULLEY GUIDE FUSER	8
	302H428010	2H428010	F LM SOLENOID	5
⊙	302H428020	2H428020	DISCHARGER FD	5
	302H431010	2H431010	HOLDER DRIVE	9
	302H431020	2H431020	COVER HOLDER DRIVE	9
⊙	302H431030	2H431030	GEAR Z42R	9
⊙	302H431040	2H431040	GEAR Z34L-Z24L	9
	302H431050	2H431050	PIN HOLDER A	9
	302H431060	2H431060	PIN HOLDER B	9
	302H431070	2H431070	BUSH DRIVE 6	9
⊙	302H431080	2H431080	GEAR Z64R-Z21L	9
	302H439010	2H439010	BOX CONTROLLER	11
	302H439020	2H439020	PLATE EARTH BOX	11
	302H446010	2H446010	CONN.CORD ASSY CONTROL-RELAY S03439	11
	302H446020	2H446020	CONN.CORD ASSY LCD-RELAY S03394	1
	302H446050	2H446050	CONN.CORD ASSY PWS-HEATER(E) S03508	8
	302H446060	2H446060	CONN.CORD ASSY PWS-HEATER(U) S03509	8
⊙	302H493010	2H493010	DK-150	6
⊙	302H493020	2H493020	FK-150(E)	8

• Parts with "⊙" indicate regular maintenance parts.

	Part.No.	Alterna ive.	Description	Fig.No.
⊙	302H493030	2H493030	FK-150(U)	8
⊙	302H493040	2H493040	DR-150	9
⊙	302H494010	2H494010	COVER TOP B(N) KIT SP	1
⊙	302H494020	2H494020	ERASER KIT (N) SP	2
⊙	302H494030	2H494030	P.W.BOARD ASSY CONTROL SP	11
⊙	302H494040	2H494040	COVER TOP ASSY (N) SP	1
⊙	302H494050	2H494050	FD ASSY (2H4) SP	5
	302HN09190	2HN09190	SPR NG FIX	3
	302HN09240	2HN09240	SIZE FIX	3
	302HN25450	2HN25450	BUSH EXIT	8
	302HN29050	2HN29050	BUSH DU	5
⊙	302HN44110	2HN44110	CLUTCH FEED	9
⊙	302HS00010	2HS00010	TRAY MPF ASSY	2
	302HS01130	2HS01130	P.W.B RFID WITH SOFTWARE	4
⊙	302HS02070	2HS02070	LEVER LOCK CASSETTE	11
⊙	302HS02090	2HS02090	LEVER STOPPER DLP	2
	302HS02100	2HS02100	SPR NG STOPPER DLP	2
⊙	302HS02110	2HS02110	LEVER INTERLOCK SW	11
	302HS02120	2HS02120	SPR NG NTERLOCK SW	11
	302HS02131	2HS02131	HOLDER MC	2
	302HS02140	2HS02140	PLATE CONTACT MC	2
	302HS02160	2HS02160	SPR NG MC	2
⊙	302HS02180	2HS02180	PIN CASSETTE	11
	302HS02190	2HS02190	SPR NG P N CASSETTE	11
	302HS02200	2HS02200	PLATE MAIN SW	11
⊙	302HS02210	2HS02210	PLATE POWER SUPPLY	11
	302HS02240	2HS02240	F LM POWER SUPPLY	11
	302HS02250	2HS02250	SPR NG EARTH REG UP	4
	302HS02260	2HS02260	SPR NG EARTH REG LOW	4
	302HS02280	2HS02280	COVER BASE LOW	11
	302HS02291	2HS02291	PLATE EARTH DRUM	2
	302HS02330	2HS02330	SPR NG EARTH DU PLATE	2
	302HS02340	2HS02340	SPR NG EARTH RIGHT	4
	302HS02350	2HS02350	COVER CABLE B	2
	302HS02360	2HS02360	SPR NG LOCK CASSETTE	11
	302HS02370	2HS02370	SPR NG EARTH CASSETTE	9
	302HS02380	2HS02380	PLATE PF CONNECTOR	9
⊙	302HS02390	2HS02390	LEVER LOCK CASSETTE L	11
	302HS02410	2HS02410	SPR NG EARTH DU MID	4
	302HS02420	2HS02420	BKT FAN R	11
	302HS02440	2HS02440	SPR NG EARTH DLP PLATE	4
	302HS02450	2HS02450	BKT FAN L	11
	302HS02460	2HS02460	PIN CONTACT BIAS	2
	302HS02470	2HS02470	SPR NG P N BIAS	2
	302HS02490	2HS02490	COVER CABLE C	11
	302HS02510	2HS02510	COVER CABLE D	11
	302HS02520	2HS02520	COVER CABLE E	9
	302HS02530	2HS02530	COVER CABLE F	9
	302HS02540	2HS02540	PIN DRAWER	9
	302HS02561	2HS02561	HOLDER PIN CASSETTE	11

	Part.No.	Alternative.	Description	Fig.No.
	302HS02580	2HS02580	SHEET DUCT LSU	2
	302HS02590	2HS02590	SHEET DUCT FD	2
	302HS02610	2HS02610	SHEET DUCT BKT FAN	11
	302HS02620	2HS02620	SPRING EARTH FAN	11
⊙	302HS02650	2HS02650	HOOK PF	2
	302HS02660	2HS02660	SHEET FAN L	1
	302HS02670	2HS02670	SHEET FAN R	2
	302HS02680	2HS02680	SHEET MC CABLE	2
	302HS04060	2HS04060	COVER D MM	1
⊙	302HS04070	2HS04070	COVER RACK	1
⊙	302HS04160	2HS04160	COVER RACK B	1
	302HS04170	2HS04170	SHEET TOP COVER	1
	302HS06010	2HS06010	FRAME FEED	4
	302HS06020	2HS06020	HOLDER FEED	4
	302HS06040	2HS06040	GUIDE FEED R	4
	302HS06050	2HS06050	PULLEY FEED	4
⊙	302HS06060	2HS06060	ACTUATOR EMPTY A	4
⊙	302HS06070	2HS06070	ACTUATOR EMPTY B	4
⊙	302HS06090	2HS06090	GEAR Z2S FEED	4
	302HS06110	2HS06110	SHAFT FEED	9
	302HS06120	2HS06120	SPRING ACTUATOR	4
	302HS06130	2HS06130	SPRING PULLEY	4
	302HS06140	2HS06140	SEAL FRAME FEED	4
	302HS06150	2HS06150	SEAL FEED PULLEY	4
	302HS08010	2HS08010	FRAME MPF	4
	302HS08020	2HS08020	COVER MPF KM	2
	302HS08040	2HS08040	GUIDE TURN MPF	2
	302HS08050	2HS08050	BASE MPF	2
	302HS08060	2HS08060	TRAY MPF MID	2
	302HS08080	2HS08080	SHAFT FEED MPF	4
	302HS08100	2HS08100	BRACKET BOTTOM	2
⊙	302HS08110	2HS08110	ACTUATOR MPF	4
	302HS08140	2HS08140	BASE IC PWB	4
⊙	302HS08160	2HS08160	GEAR Z2S MPF	4
	302HS08170	2HS08170	SPRING SEPARATOR	2
	302HS08190	2HS08190	SPRING ACTUATOR	4
	302HS08210	2HS08210	SPRING EARTH MPF	2
	302HS08220	2HS08220	TRAY MPF TOP	2
	302HS08230	2HS08230	PLATE EARTH BOTTOM	2
	302HS08241	2HS08241	GUIDE MPF R	2
	302HS08251	2HS08251	GUIDE MPF L	2
⊙	302HS08260	2HS08260	ROLLER M/P ASSY	4
	302HS08270	2HS08270	SPRING BRACKET	2
	302HS08290	2HS08290	FILM SENSOR	4
	302HS08300	2HS08300	HOLDER FEED M/P	4
	302HS08320	2HS08320	SPRING COVER MPF	2,5
	302HS09011	2HS09011	BASE CASSETTE	3
⊙	302HS09020	2HS09020	COVER CASSETTE KM	3
	302HS09040	2HS09040	BASE CASSETTE REAR	3
	302HS09070	2HS09070	PAPER INDICATOR	3

• Parts with "⊙" indicate regular maintenance parts.

	Part.No.	Alternative.	Description	Fig.No.		Part.No.	Alternative.	Description	Fig.No.
	302HS09081	2HS09081	CURSOR END	3		302HS25110	2HS25110	ACTUATOR FUSER	8
	302HS09100	2HS09100	LOCK BOTTOM	3		302HS25120	2HS25120	SPRING ACTUATOR	8
	302HS09120	2HS09120	SPR NG BOTTOM L	3		302HS25130	2HS25130	SPRING EXIT L	8
	302HS09130	2HS09130	SPR NG BOTTOM R	3		302HS25140	2HS25140	PLATE EARTH EXIT	8
	302HS09140	2HS09140	SPR NG LOCK BOTTOM	3		302HS25150	2HS25150	SHAFT EXIT	8
	302HS09160	2HS09160	GEAR CASSETTE	3		302HS25160	2HS25160	PLATE EARTH L	8
	302HS09170	2HS09170	CAP BOTTOM	3	⊙	302HS25190	2HS25190	THERMISTOR FUSER	8
	302HS09180	2HS09180	SPR NG RETARD	3		302HS25200	2HS25200	LEVER FUSER R	8
	302HS09210	2HS09210	SEAL RETARD WASHER	3		302HS25210	2HS25210	LEVER FUSER L	8
	302HS09220	2HS09220	CUT POLYSLIDER 11_8	3		302HS25220	2HS25220	BUSH FUSER	8
	302HS09231	2HS09231	SPONGE CASSETTE	3		302HS25400	2HS25400	SHEET FUSER	8
	302HS19220	2HS19220	TAPE FFC	4	⊙	302HS25460	2HS25460	SEPARATOR	8
	302HS24010	2HS24010	GUIDE PAPER CHUTE	4		302HS28012	2HS28012	FRAME FD	5
	302HS24020	2HS24020	GUIDE EARTH	4		302HS28021	2HS28021	COVER FRAME FD	5
⊙	302HS24040	2HS24040	ROLLER REGIST UP	4	⊙	302HS28030	2HS28030	ROLLER FD UP	5
	302HS24060	2HS24060	ACTUATOR REGIST	2		302HS28040	2HS28040	COVER FD	5
	302HS24070	2HS24070	SPR NG ACTUATOR REG	2	⊙	302HS28060	2HS28060	GEAR Z21S	5
	302HS24080	2HS24080	PLATE EARTH HV	2		302HS28070	2HS28070	PULLEY EXIT	5
	302HS24110	2HS24110	PLATE ERATH PAPER CHUTE	2		302HS28110	2HS28110	SPRING EARTH	5
	302HS24120	2HS24120	BUSH REGIST	4		302HS28120	2HS28120	SPRING EXIT	5
	302HS24130	2HS24130	BUSH 4 DU ROLL	2		302HS28141	2HS28141	SPRING PULLEY	5
	302HS24140	2HS24140	BUSH 6 EW	4		302HS28150	2HS28150	GUIDE FD SIDE	5
⊙	302HS24160	2HS24160	ROLLER DU	2		302HS28160	2HS28160	GUIDE FD CENTER	5
⊙	302HS24170	2HS24170	ROLLER TRANSFER E	4	⊙	302HS28170	2HS28170	GEAR FD Z29S	5
	302HS24181	2HS24181	SHEET REGIST	4		302HS29010	2HS29010	PLATE COVER DU	10
⊙	302HS24190	2HS24190	GEAR Z14R REG UP	4		302HS29020	2HS29020	PLATE COVER DU B	10
⊙	302HS24200	2HS24200	GEAR Z21L-Z23L REG LOW	4	⊙	302HS31020	2HS31020	PLATE DRIVE	9
⊙	302HS24210	2HS24210	GEAR Z16L TC	4		302HS31040	2HS31040	PLATE GEAR DRIVE	9
⊙	302HS24220	2HS24220	GEAR Z25R DU FEED	9		302HS31050	2HS31050	LEVER L FT BOTTOM	9
⊙	302HS24230	2HS24230	GEAR Z26L DU MID	9		302HS31060	2HS31060	PIN GEAR DRIVE	9
⊙	302HS24240	2HS24240	SPR NG REGIST R	4	⊙	302HS31070	2HS31070	GEAR Z42R FREE 2	9
⊙	302HS24250	2HS24250	BUSH TC R	4		302HS31090	2HS31090	GEAR Z37L FREE	9
	302HS24260	2HS24260	LEVER RELEASE TC L	4	⊙	302HS31100	2HS31100	GEAR Z20L CLUTCH	9
	302HS24280	2HS24280	SPR NG RELEASE TC L	4	⊙	302HS31110	2HS31110	GEAR Z58L	9
	302HS24300	2HS24300	SPR NG CONTACT TC	2	⊙	302HS31120	2HS31120	GEAR Z27L CLUTCH	9
	302HS24310	2HS24310	SPR NG EARTH BRUSH	4	⊙	302HS31130	2HS31130	GEAR Z45R CLUTCH	9
⊙	302HS24340	2HS24340	ROLLER TRANSFER U	4	⊙	302HS31140	2HS31140	GEAR Z35R DLE	9
⊙	302HS24350	2HS24350	SPR NG REGIST L	4	⊙	302HS31150	2HS31150	GEAR Z31L-Z14S	9
	302HS24360	2HS24360	SPR NG REGIST C	4	⊙	302HS31180	2HS31180	GEAR Z44R	9
	302HS24390	2HS24390	SPR NG TC L	4	⊙	302HS31190	2HS31190	GEAR Z17R FREE	9
	302HS24400	2HS24400	SPR NG TC R	4	⊙	302HS31200	2HS31200	GEAR Z26L FREE	9
	302HS24410	2HS24410	ROLLER REGIST LOW	4	⊙	302HS31210	2HS31210	GEAR Z35S FREE	9
	302HS24420	2HS24420	FILM REGIST GUIDE	4	⊙	302HS31220	2HS31220	GEAR Z42R FREE	9
	302HS24460	2HS24460	BUSH REGIST R	4	⊙	302HS31230	2HS31230	GEAR Z38S MPF	9
	302HS25030	2HS25030	GUIDE EXIT LOW	8	⊙	302HS31240	2HS31240	GEAR Z32L DRUM	9
	302HS25040	2HS25040	SPR NG PRESSURE	8	⊙	302HS31250	2HS31250	GEAR Z54R-Z24R	9
⊙	302HS25050	2HS25050	PULLEY EXIT FUSER	8	⊙	302HS31260	2HS31260	GEAR Z32R	9
⊙	302HS25060	2HS25060	ROLLER EXIT	8		302HS31281	2HS31281	LIFT BOTTOM	9
⊙	302HS25070	2HS25070	GEAR Z18S IDLE	8		302HS31310	2HS31310	SPRING FREE FUSER	9
	302HS25080	2HS25080	PLATE CODE	8		302HS31320	2HS31320	SPRING FREE MAG	9

• Parts with "⊙" indicate regular maintenance parts.

	Part.No.	Alterna ive.	Description	Fig.No.		Part.No.	Alternative.	Description	Fig.No.
	302HS31330	2HS31330	PIN CLUTCH	9	⊙	302HS94241	2HS94241	COVER LEFT ASSY SP	1
	302HS31340	2HS31340	SHAFT CASSETTE	9	⊙	302HS94280	2HS94280	HOLDER MCH ASSY	2
	302HS31360	2HS31360	PIN HOLDER A	9	⊙	302J002010	2J002010	FOOT	2
	302HS31370	2HS31370	PIN HOLDER B	9		302JA34280	2JA34280	LABEL FUSER CAUTION	5
⊙	302HS31380	2HS31380	SPR NG LIFT BOTTOM	9		302JA46020	2JA46020	CONN.CORD ASSY CONTROL-H.V UNIT S03391	11
	302HS31390	2HS31390	GEAR Z27R FREE 2	9	⊙	5AAVR0LL+052	2BR06520	RETARD ROLL ASSY /43487V0005 A4	3
	302HS31400	2HS31400	SPR NG FREE DRUM	9		5MBCK9560XSC	D4103700	C STOP RING /X9.5 X 0.6T S-CR	10
	302HS31410	2HS31410	SPR NG FREE Z37L	9		5MMP141LD002	2A807510	PLATE SIDE GUIDE /A49 CASSETTE A4	3
	302HS31420	2HS31420	EARTH PLATE DRIVE	9		5MMS111SL002	2BY20050	NUT FUSER A /FS-1800/3800 A4	8
	302HS31430	2HS31430	POLYSL DER 9.5	9		5MMW171LD006	2A807530	SPRING STOPPER /A49 CASSETTE A4	3
	302HS31440	2HS31440	SPR NG FEED	9		5MMW261LD036	2A814570	SPRING TE SENSOR /A-49 DLP A4	4
	302HS34020	2HS34020	LABEL FUSER JAM	5		5MMW261LD055	2A820350	SPRING SEPARATOR /FS-1000 A4	8
	302HS34030	2HS34030	LABEL OPERATION	3		5MMW261LD067	2FV02270	SPRING LEVER LOCK L	4
	302HS34080	2HS34080	LABEL JAM TK OPERATION	1		5MMW261LD068	2FV02280	SPRING LEVER LOCK R	4
	302HS34120	2HS34120	LABEL FUSER OPERATION	8		5MVG137DN032	2A806720	GEAR MPF /A-49 MPF A4	2
	302HS39021	2HS39021	COVER BOX	11	⊙	5MVG148XN010	2BR20200	GEAR HEAT Z36 /43307P0005 A4	8
	302HS39030	2HS39030	GUIDE OPTION SLOT	11		5MVM273DB005	2A820100	PULLEY EXIT /A-49 FUSER A3	4,5
	302HS39040	2HS39040	PLATE OPTION	11		5MVS217SN002	2A806280	PAD SOLENOID /FS-1000 A4	5
	302HS39051	2HS39051	F LM COVER CABLE	11	⊙	5MVX111DN003	2A806250	RING STOPPER /A-49 FEED A4	4,9,10
⊙	302HS44010	2HS44010	MOTOR MAIN	9		5MVX111DN007	2BT11070	STOPPER 3 /2BT1107 A4	5
⊙	302HS44020	2HS44020	SOLENOID MPF	9	⊙	5MVX431DN005	2FV02100	LEVER LOCK DLP	4
⊙	302HS44050	2HS44050	MOTOR FAN 80	11	⊙	5MVX441XN001	2BR20180	BUSH HEAT L /43307P0003 A4	8
⊙	302HS45011	2HS45011	SWITCHING REGULATOR 230V	11		5MVX541DG002	2A807191	LEVER REAR /A-49 CASSETTE A3	3
⊙	302HS45020	2HS45020	SWITCHING REGULATOR 120V	11		5MVX541DG003	2A807161	LEVER SIDE /A-49 CASSETTE A3	3
⊙	302HS45030	2HS45030	HIGH VOLTAGE UNIT	11		7AAACCUS+10H001	AA068380	AC CORD ASSY US	11
	302HS46030	2HS46030	CONN.CORD ASSY CONTROL-PF S03247	9		7BC06062C020H01	BC045240	POLY SL DER WASHER M6.2X12X0.2T	9
	302HS46040	2HS46040	CONN.CORD ASSY CONTROL-MAIN MOTOR S03245	9		7BC460529080H01	BC059590	CUT WASHER 5.2X9.0X0.8T(BLACK)	4
	302HS46050	2HS46050	CONN.CORD ASSY CONTROL-RFID S03244	4		7NXSG2481+++H01	NX052600	SENSOR OPT.	4,8
	302HS46070	2HS46070	CONN.CORD ASSY CONTROL-H.V.UNIT S03303	11		7RHA2H10701+H01	RH043740	M.GLAZE R. 100MJ 1/2W	2
	302HS46120	2HS46120	CONN.CORD ASSY PWS-INLET S03238	11		7YBEJ0J0D001H01	YB045400	FERRITE CORE	1
	302HS46130	2HS46130	CONN.CORD ASSY CONTROL-ERASER S03252	11		7YCC08B1112+H01	YC058670	CONNECTOR	9
	302HS46140	2HS46140	CONN.CORD ASSY CONTROL-EXITSENSOR S03248	8		7YZM420002++H01	YZ045260	ACCESS BAND	1
	302HS46150	2HS46150	CONN.CORD ASSY CONTROL-MPFSENSOR S03251	4		7YZM610007++H01	YZ023340	ACCESS.SADDLE	9
	302HS46160	2HS46160	CONN.CORD ASSY CONTROL-P.SENSOR S03304	4		7YZM610008++H01	YZ037940	ACCESS.SADDLE	11
	302HS46210	2HS46210	CONN.CORD ASSY CONTROL-F/RCLUTCH S03308	9		M2107250	M2107250	BAND,RSG-100(KITAGAWA)	9
⊙	302HS93021	2HS93021	DV-130(E)	7					
⊙	302HS93070	2HS93070	MC-130	6					
⊙	302HS93082	2HS93082	CT-130	3					
⊙	302HS93091	2HS93091	LK-130	2					
⊙	302HS93101	2HS93101	DV-132(U)	7					
⊙	302HS94000	2HS94000	PLATE BOTTOM ASSY	3					
⊙	302HS94020	2HS94020	LID TOP ASSY	1					
⊙	302HS94032	2HS94032	HOLDER FEED ASSY	4					
⊙	302HS94040	2HS94040	SEPARATOR MPF ASSY	2					
⊙	302HS94050	2HS94050	PLATE BOTTOM MPF ASSY	2					
⊙	302HS94060	2HS94060	HOLDER DC BRUSH ASSY	4					
⊙	302HS94081	2HS94081	REGIST LOW KIT	4					
⊙	302HS94121	2HS94121	COVER FRONT ASSY (2HS) SP	1					
⊙	302HS94150	2HS94150	EMPTY SENSOR KIT SP	4					
⊙	302HS94160	2HS94160	COVER REAR ASSY SP	5					

• Parts with "⊙" indicate regular maintenance parts.