



---

# TASKalfa 300i

## PARTS LIST

Published in October 2009

2K5PL070

842K5120

First Edition

## NOTES

1. Indicate parts number and parts description together with the machine model name when placing an order.

e.g.	Parts Number	Parts Name	Machine Model	Quantity
	302K504010	COVER FRONT	TASKalfa300i	1

2. Symbols in the "Parts Number" column.

- Parts with "•" are component parts or sub-assemblies of the assembly appearing immediately above them.

e.g.	Parts Number	Parts Name	Parts Number	Parts Name
	302K594130	PARTS COVER EMBLEM SP	• 302K504060	COVER EMBLEM
			• 302K534140	EMBLEM LOGO

- Parts with "••" are component parts or sub-assembly with "•" appearing immediately above them.

e.g.	Parts Number	Parts Name	Parts Number	Parts Name
	•302H094560	PARTS UPPER MPF FEED SP	•• 302H008011	GUIDE MPF FEED
			•• 302H008340	FILM UPPER GUIDE

- Parts with "⊙" indicate regular maintenance parts.

3. Items indicated in Description column as (OPTION) are Consumable parts.



## — CONTENTS —

FIG. 1	Covers .....	2	FIG. 16	Drive Section 2 .....	32
FIG. 2	Frames .....	4	FIG. 17	Cooling Section .....	34
FIG. 3	Paper Cassettes .....	6	FIG. 18	Duplex Section .....	36
FIG. 4	Paper Feed Section 1 .....	8	FIG. 19	Exit Section 1 .....	38
FIG. 5	Paper Feed Section 2 .....	10	FIG. 20	Exit Section 2 .....	40
FIG. 6	Paper Feed Section 3 .....	12	FIG. 21	Electrical Components 1 .....	42
FIG. 7	Paper Feed Section 4 .....	14	FIG. 22	Electrical Components 2 .....	44
FIG. 8	Paper Conveying Section 1 .....	16	FIG. 23	Operation Section .....	46
FIG. 9	Paper Conveying Section 2 .....	18	FIG. 24	Options 1 .....	48
FIG. 10	Scanner Section 1 .....	20	FIG. 25	Options 2 .....	50
FIG. 11	Scanner Section 2 .....	22	FIG. 26	Options 3 & Tools .....	52
FIG. 12	Image Formation Section .....	24	FIG. 27	Maintenance Kits .....	54
FIG. 13	Developing Section .....	26			
FIG. 14	Fuser Section .....	28		• INDEX .....	55
FIG. 15	Drive Section 1 .....	30			

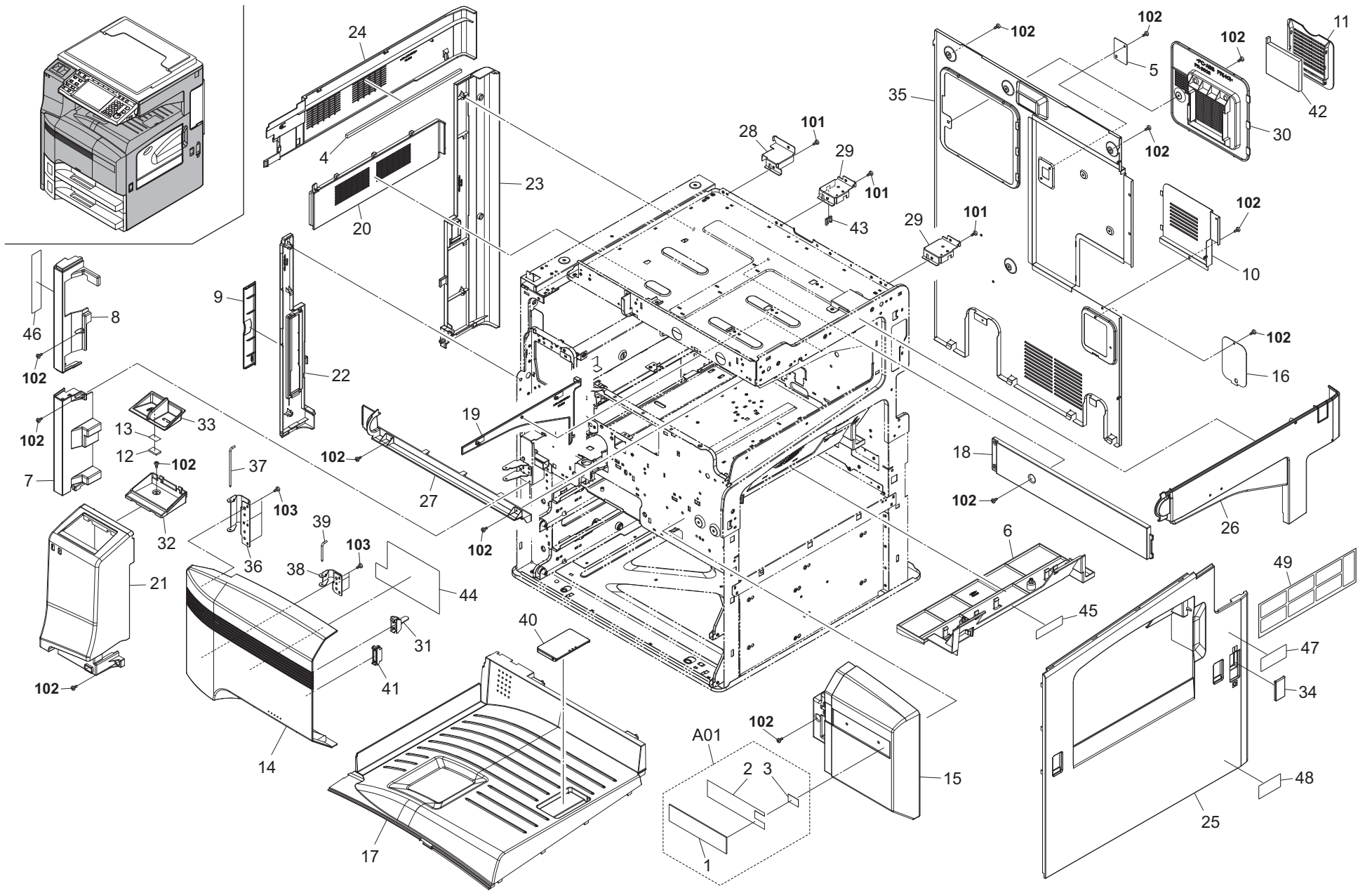


FIG. 1 Covers

2K5

Ref. No.	Part.No.	Alternative.	Description	Quantity		
				120	230	240
⊙ A01	302K594130	2K594130	PARTS COVER EMBLEM SP	1	1	1
⊙ 1	+302K504060	2K504060	COVER EMBLEM	1	1	1
2	+302K534140	2K534140	EMBLEM LOGO	1	1	1
⊙ 3	+302K504210	2K504210	TAPE EMBLEM	1	1	1
⊙ 4	302H024240	2H024240	SPONGE CLEANER REG	1	1	1
⊙ 5	2C912430	2C912430	LID KMAS	1	1	1
6	302K504170	2K504170	COVER LSU LOW	1	1	1
⊙ 7	302H004770	2H004770	COVER FRONT LEFT LOW	1	1	1
⊙ 8	302H004780	2H004780	COVER FRONT LEFT MIDDLE	1	1	1
⊙ 9	302BL04301	2BL04301	LID COVER LEFT	1	1	1
⊙ 10	302K504200	2K504200	LID COVER REAR	1	1	1
⊙ 11	302KS04180	2KS04180	COVER OZONE	1	1	1
12	302GR04370	2GR04370	MAGNET CLIP DISH	1	1	1
⊙ 13	302GR04380	2GR04380	SEAL MAGNET	1	1	1
⊙ 14	302K504010	2K504010	COVER FRONT	1	1	1
⊙ 15	302K504020	2K504020	COVER FRONT RIGHT	1	1	1
⊙ 16	302H004690	2H004690	COVER CASS HEATER	1	1	1
⊙ 17	302H004060	2H004060	COVER TRAY	1	1	1
⊙ 18	302H004070	2H004070	COVER TRAY REAR	1	1	1
⊙ 19	302K504080	2K504080	COVER TRAY RIGHT	1	1	1
⊙ 20	302H004090	2H004090	COVER EJECT UPPER	1	1	1
⊙ 21	302H004101	2H004101	COVER FRONT TOP	1	1	1
⊙ 22	302H004110	2H004110	COVER LEFT FRONT	1	1	1
⊙ 23	302H004120	2H004120	COVER LEFT REAR	1	1	1
⊙ 24	302H004130	2H004130	COVER LEFT MIDDLE	1	1	1
⊙ 25	302K504090	2K504090	COVER RIGHT LOW	1	1	1
⊙ 26	302K504100	2K504100	COVER RIGHT MIDDLE	1	1	1
⊙ 27	302K504110	2K504110	COVER OPE LOW	1	1	1
28	302H004570	2H004570	MOUNT REAR COVER L	1	1	1
29	302H004581	2H004581	MOUNT REAR COVER R	2	2	2
30	302K504160	2K504160	MOUNT REAR DUCT	1	1	1
31	302H004650	2H004650	HOLDER SWITCH	1	1	1
32	302H004220	2H004220	COVER BASE DISH	1	1	1
⊙ 33	302H004230	2H004230	CLIP DISH	1	1	1
⊙ 34	302H004241	2H004241	COVER MAIN SW	1	1	1
⊙ 35	302K504040	2K504040	COVER REAR A	1	1	1
36	302H004270	2H004270	HINGE FRONT COVER A	1	1	1
37	302H004280	2H004280	PIN HINGE A	1	1	1
38	302H004300	2H004300	HINGE FRONT COVER B	1	1	1
39	302H004310	2H004310	PIN HINGE B	1	1	1
40	302H004560	2H004560	STOPPER PAPER	1	1	1
⊙ 41	302H004660	2H004660	MAGNET CATCH	1	1	1
⊙ 42	302GR33090	2GR33090	FILTER VOC B	1	1	1
43	7YZM210006++H01	YZ038000	ACCESS.EDGING	1	1	1
⊙ 44	302K534020	2K534020	LABEL CAUTION	1	1	1
45	302K534030	2K534030	LABEL CAUTION GEAR	1	1	1
⊙ 46	302K534010	2K534010	LABEL CONVEYING JAM	1	1	1
⊙ 47	302H734020	2H734020	LABEL OFF CAUTION A	1	1	1
48	302DC05120	2DC05120	LABEL CAUTION HG	1		
⊙ 49	302H734190	2H734190	LABEL SW CAUTION SET E		1	

Ref. No.	Part.No.	Alternative.	Description	Quantity		
				120	230	240
101	7BB100306H	BB046010	+BIND T.T S SCREW 3X6			
102	7BB782308H	BB111300	+TP-FLAT T.T S SCREW 3X8 SR(BLACK)			
103	7BB200308H	BB105660	+BIND T.T P SCREW 3X8			

- Parts with "+" are component parts or sub-assemblies of the assembly appearing immediately above them.
- Parts with "⊙" indicate regular maintenance parts.

- Parts with "••" are component parts or sub-assembly with "•" appearing immediately above them.

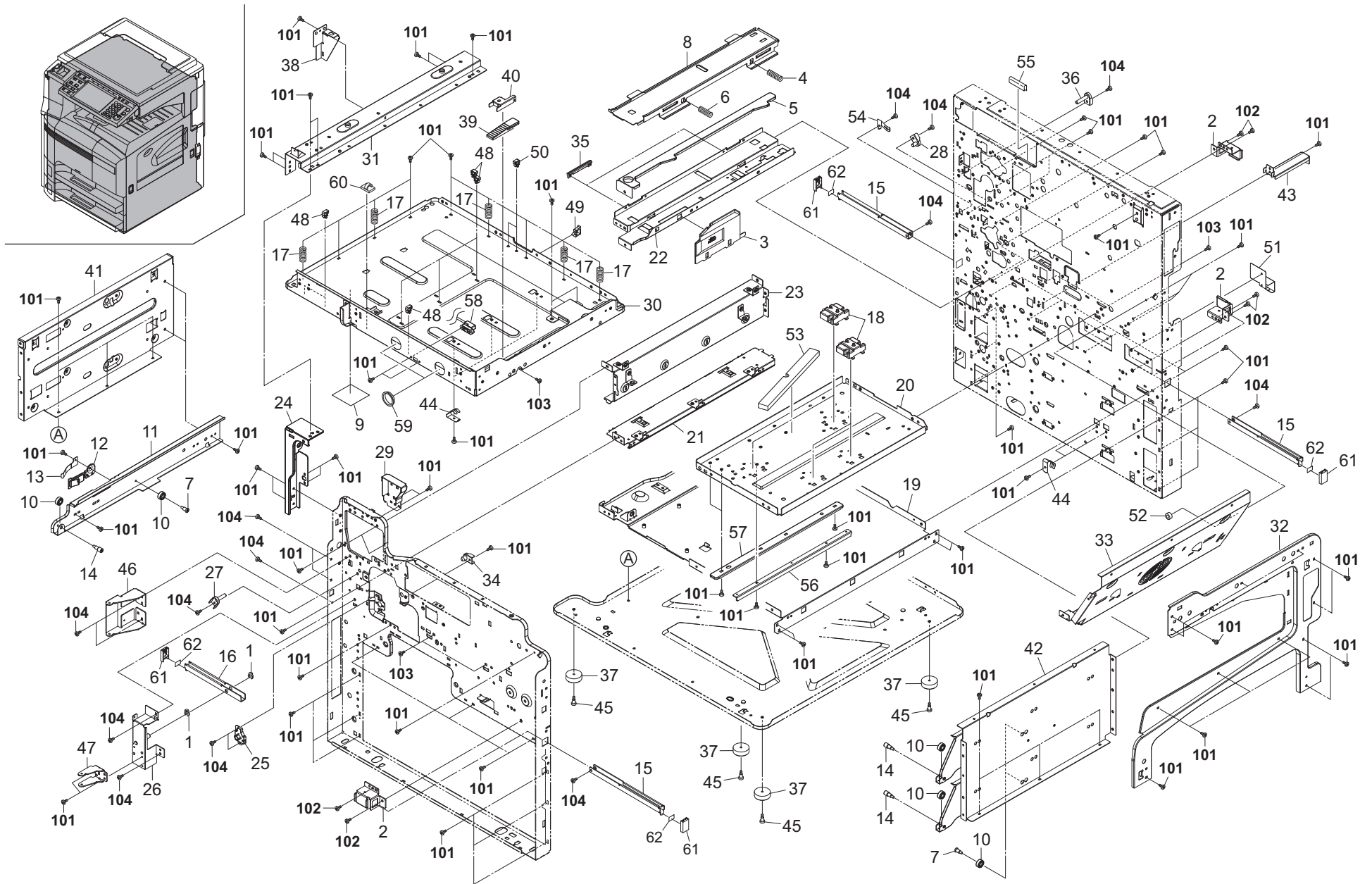


FIG. 2 Frames

2K5

Ref. No.	Part.No.	Alternative.	Description	Quantity		
				120	230	240
1	2BC06910	2BC06910	STOPPER 6	2	2	2
2	2BL02150	2BL02150	MOUNT RIGHT HANDLE	3	3	3
3	302H014181	2H014181	GUIDE MIDDLE HOPPER	1	1	1
4	2C902080	2C902080	SPRING DEV PUSH	1	1	1
5	2C902170	2C902170	LEVER DEV PUSH	1	1	1
6	2C902590	2C902590	SPRING DEV PUSH F	1	1	1
7	2FB06710	2FB06710	PIN CASSETTE RAIL	4	4	4
8	2FT02200	2FT02200	RAIL DLP	1	1	1
9	302DA12070	2DA12070	SEAL SCANNER	1	1	1
10	302FG07020	2FG07020	PULLEY,CASSETTE RAIL	8	8	8
11	302FG07033	2FG07033	LEFT RAIL CASSETTE	2	2	2
12	302GR02221	2GR02221	LEVER LOCK CASSETTE	2	2	2
13	302GR02230	2GR02230	SPRING LEVER	2	2	2
14	302GR02240	2GR02240	PIN FRONT CASSETTE RAIL	4	4	4
15	302KS02060	2KS02060	HANDLE A	3	3	3
16	302KS02070	2KS02070	HANDLE B	1	1	1
17	302H002280	2H002280	SPRING ISU LOW	5	5	5
18	302H002040	2H002040	SPACER LSU	4	4	4
19	302H002050	2H002050	LOWER PLATE MPF	1	1	1
20	302H002060	2H002060	LOWER PLATE LSU	1	1	1
21	302H002070	2H002070	UPPER PLATE DRUM	1	1	1
22	302H002080	2H002080	LOWER PLATE DLP	1	1	1
23	302H002090	2H002090	PLATE FUSER GUIDE	1	1	1
24	302H002100	2H002100	PLATE FRONT LEFT	1	1	1
25	302H002110	2H002110	SPACER DRUM	1	1	1
26	302H002120	2H002120	MOUNT HANDLE FRONT LEFT	1	1	1
27	302H002130	2H002130	PLATE POSITION A	1	1	1
28	302H002140	2H002140	PLATE POSITION B	1	1	1
29	302H002150	2H002150	PLATE EXIT FRONT	1	1	1
30	302H002161	2H002161	BASE SCANNER UNIT	1	1	1
31	302H002180	2H002180	MOUNT SCANNER UNIT L	1	1	1
32	302H002190	2H002190	PLATE RIGHT TOP	1	1	1
33	302H002200	2H002200	PLATE RIGHT MIDDLE	1	1	1
34	302H002210	2H002210	PLATE POSITION C	1	1	1
35	302H002220	2H002220	HOLDER DLP RAIL	2	2	2
36	302H002230	2H002230	PLATE POSITION D	1	1	1
37	302H002250	2H002250	RUBBER BASE	4	4	4
38	302H004720	2H004720	SUPPORT COVER LEFT	1	1	1
39	302H002310	2H002310	ADJUSTOR SCANNER	1	1	1
40	302H002320	2H002320	MOUNT RUBBER SCANNER	1	1	1
41	302H002331	2H002331	LOWER LEFT REINFORCE	1	1	1
42	302H002340	2H002340	LOWER RIGHT REINFORCEMENT	1	1	1
43	302H002350	2H002350	MOUNT REAR COVER A	1	1	1
44	302H002360	2H002360	GROUND SCANNER	5	5	5
45	3CZ02240	3CZ02240	PIN, DRAWER SIDE CONVEYING	4	4	4
46	302H004260	2H004260	MOUNT COVER HINGE A	1	1	1
47	302H004290	2H004290	MOUNT COVER HINGE B	1	1	1
48	7YZM390002++H01	YZ012140	ACCESS.CLAMP	9	9	9
49	7YZM610003++H01	YZ010250	ACCESS SADDLE	1	1	1
50	7YZM610001++H01	YZ010230	ACCESS SADDLE	2	2	2

Ref. No.	Part.No.	Alternative.	Description	Quantity		
				120	230	240
51	302K502010	2K502010	SHEET WIRE A	1	1	1
52	302H002380	2H002380	SHIELD SCREW	1	1	1
53	302H002371	2H002371	SHIELD LSU LOW	1	1	1
54	302H024561	2H024561	GROUND CONVEYING PLATE	1	1	1
55	302H002300	2H002300	FILM PROTECT B	1	1	1
56	2FG17080	2FG17080	PLATE LEFT GUIDE	1	1	1
57	302H008420	2H008420	STAY GUIDE MPF UPPER	2	2	2
58	302K546250	2K546250	WIRE MAIN-PANEL USB	1	1	1
59	7YZM110003++H01	YZ034780	ACCESS,BUSHING	2	2	2
60	M2105890	M2105890	CLAMP,CKN-05(KITAGAWA)	1	1	1
61	302FZ02580	2FZ02580	CAP HANDLE	4	4	4
62	302FZ03110	2FZ03110	SEAL HANDLE	4	4	4
101	7BB100306H	BB046010	+BIND T.T S SCREW 3X6			
102	7BB100408H	BB048820	+BIND T.T S SCREW 4X8			
103	7BB102308H	BB046210	TP TAP-TITE SCREW M3X8			
104	7BB780308H	BB111200	+BIND T.T S SCREW 3X8 SR(BLACK)			

- Parts with "\*" are component parts or sub-assemblies of the assembly appearing immediately above them.
- Parts with "⊙" indicate regular maintenance parts.

- Parts with "••" are component parts or sub-assembly with "•" appearing immediately above them.

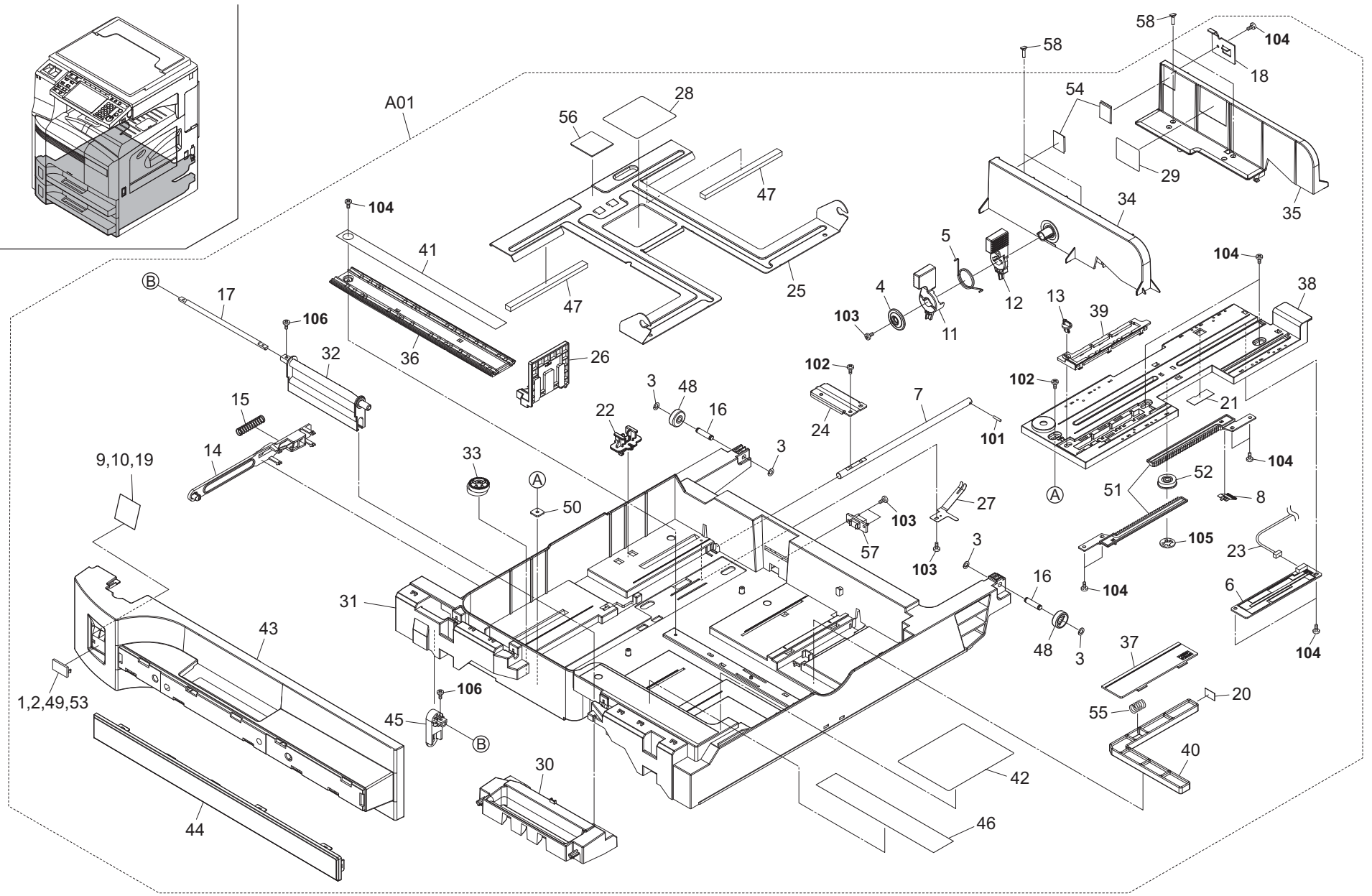


FIG. 3 Paper Cassettes

2K5

Ref. No.	Part.No.	Alternative.	Description	Quantity		
				120	230	240
⊙ A01	302K593030	2K593030	PARTS CT-680	2	2	2
⊙ 1	*2BL04310	2BL04310	PLATE NUMBER	2	2	2
⊙ 2	*2BL04370	2BL04370	PLATE NUMBER 2	2	2	2
⊙ 3	*2C904550	2C904550	CUT WASHER 5	8	8	8
⊙ 4	*2FB07050	2FB07050	PIN CURSOR	2	2	2
⊙ 5	*2FB07060	2FB07060	SPRING CURSOR	2	2	2
⊙ 6	*2FG01020	2FG01020	SIZE DETECTION ASS'Y	2	2	2
⊙ 7	*302AR07041	2AR07041	SHAFT,WORK PLATE	2	2	2
⊙ 8	*302BC07861	2BC07861	TERMINAL,PAPER SIZE DETECTION	2	2	2
⊙ 9	*302FB05200	2FB05200	PLATE SIZE C	2	2	2
⊙ 10	*302FB05210	2FB05210	PLATE SIZE IN	2	2	2
⊙ 11	*302FB07032	2FB07032	LEVER CURSOR A	2	2	2
⊙ 12	*302FB07042	2FB07042	LEVER CURSOR B	2	2	2
⊙ 13	*302FB07420	2FB07420	PIN CASSETTE	2	2	2
⊙ 14	*302GR09051	2GR09051	LEVER CASSETTE	2	2	2
⊙ 15	*302GR09120	2GR09120	SPRING LEVER CASSETTE	2	2	2
⊙ 16	*302GR09130	2GR09130	SHAFT PULLEY	4	4	4
⊙ 17	*302GR09140	2GR09140	SHAFT HANDLE	2	2	2
⊙ 18	*302GR09160	2GR09160	STOPPER PAPER	2	2	2
⊙ 19	*302GR09201	2GR09201	PLATE SIZE INCH	2	2	2
⊙ 20	*302GR09210	2GR09210	SEAL DETECTION PLATE	2	2	2
⊙ 21	*302GR09250	2GR09250	FILM PWB COVER	2	2	2
⊙ 22	*302GR09991	2GR09991	LIFT LOCK	2	2	2
⊙ 23	*302GR46450	2GR46450	WIRE CASSETTE UNIT	2	2	2
⊙ 24	*302H009070	2H009070	WORK PLATE LIFT CASSETTE	2	2	2
⊙ 25	*302H009101	2H009101	BASE CASSETTE	2	2	2
⊙ 26	*302H009110	2H009110	CURSOR C CASSETTE	2	2	2
⊙ 27	*302H009120	2H009120	PLATE CASSETTE EARTH	2	2	2
⊙ 28	*302H034070	2H034070	LABEL PAPER SET	2	2	2
⊙ 29	*302H034210	2H034210	LABEL PAPER UPPER LIMIT	2	2	2
⊙ 30	*302H709040	2H709040	HANDLE CASSETTE	2	2	2
⊙ 31	*302H709060	2H709060	CASSETTE 2ND	2	2	2
⊙ 32	*302H709070	2H709070	JOINT HANDLE CASSETTE	2	2	2
⊙ 33	*302H709080	2H709080	ADJUSTING PLATE CASSETTE	2	2	2
⊙ 34	*302H709090	2H709090	FRONT CURSOR CASSETTE	2	2	2
⊙ 35	*302H709100	2H709100	REAR CURSOR CASSETTE	2	2	2
⊙ 36	*302H709110	2H709110	RAIL CURSOR R	2	2	2
⊙ 37	*302H709120	2H709120	LID PAPER SIZE	2	2	2
⊙ 38	*302H709130	2H709130	RAIL CURSOR A	2	2	2
⊙ 39	*302H709140	2H709140	SUPPORT PLATE	2	2	2
⊙ 40	*302H709150	2H709150	DETECTION PLATE PAPER SIZE	2	2	2
⊙ 41	*302H734050	2H734050	LABEL CASSETTE SIZE L	2	2	2
⊙ 42	*302H734060	2H734060	LABEL CASSETTE SIZE S	2	2	2
⊙ 43	*302K504030	2K504030	COVER CASSETTE	2	2	2
⊙ 44	*302K504070	2K504070	COVER CASSETTE HANDLE	2	2	2
⊙ 45	*302K509010	2K509010	WORK PLATE HANDLE	2	2	2
⊙ 46	*302K534170	2K534170	LABEL CASSETTE OPERATION	2	2	2
⊙ 47	*33907210	33907210	CUSHION,CASSETTE WORK PLATE	4	4	4
⊙ 48	*34907150	34907150	PULLEY,CASSETTE	4	4	4
⊙ 49	*3CF04060	3CF04060	PLATE NUMBER4	2	2	2

- Parts with "\*" are component parts or sub-assemblies of the assembly appearing immediately above them.
- Parts with "⊙" indicate regular maintenance parts.

Ref. No.	Part.No.	Alternative.	Description	Quantity		
				120	230	240
⊙ 51	*3CY06030	3CY06030	RETAINER M4	2	2	2
⊙ 51	*3CY06090	3CY06090	RACK CURSOR	4	4	4
⊙ 52	*3CY06100	3CY06100	GEAR 20,CURSOR	2	2	2
⊙ 53	*5MVX321CE001	3CF04050	PLATE NUMBER 3 /3CF0405 A4	2	2	2
⊙ 54	*60907170	60907170	CUSHION,CASSETTE R	4	4	4
⊙ 55	*66106080	66106080	SPRING,PAD	2	2	2
⊙ 56	*66107100	66107100	PAD,CASSETTE	2	2	2
⊙ 57	*7YCC08B2046+H01	YC026110	CONNECTOR	2	2	2
⊙ 58	302GR09220	2GR09220	PIN CURSOR	8	8	8
101	5MBP2514WXSP	E0025250	SPRING PIN /M2.5 X 14 S-BLK			
102	7BB607408H	BB107040	+TP-CUP M SCREW 4X8 R			
103	7BB200308H	BB105660	+BIND T.T P SCREW 3X8			
104	7BB202308H	BB105690	+TP-FLAT T.T P SCREW 3X8			
105	5MBCS4025XSP	D4000400	CS STOP RING /X 4 X .25T S-BLK			
106	7BB000305H	BB063450	+BIND M SCREW 3X5			

- Parts with "•" are component parts or sub-assembly with "•" appearing immediately above them.



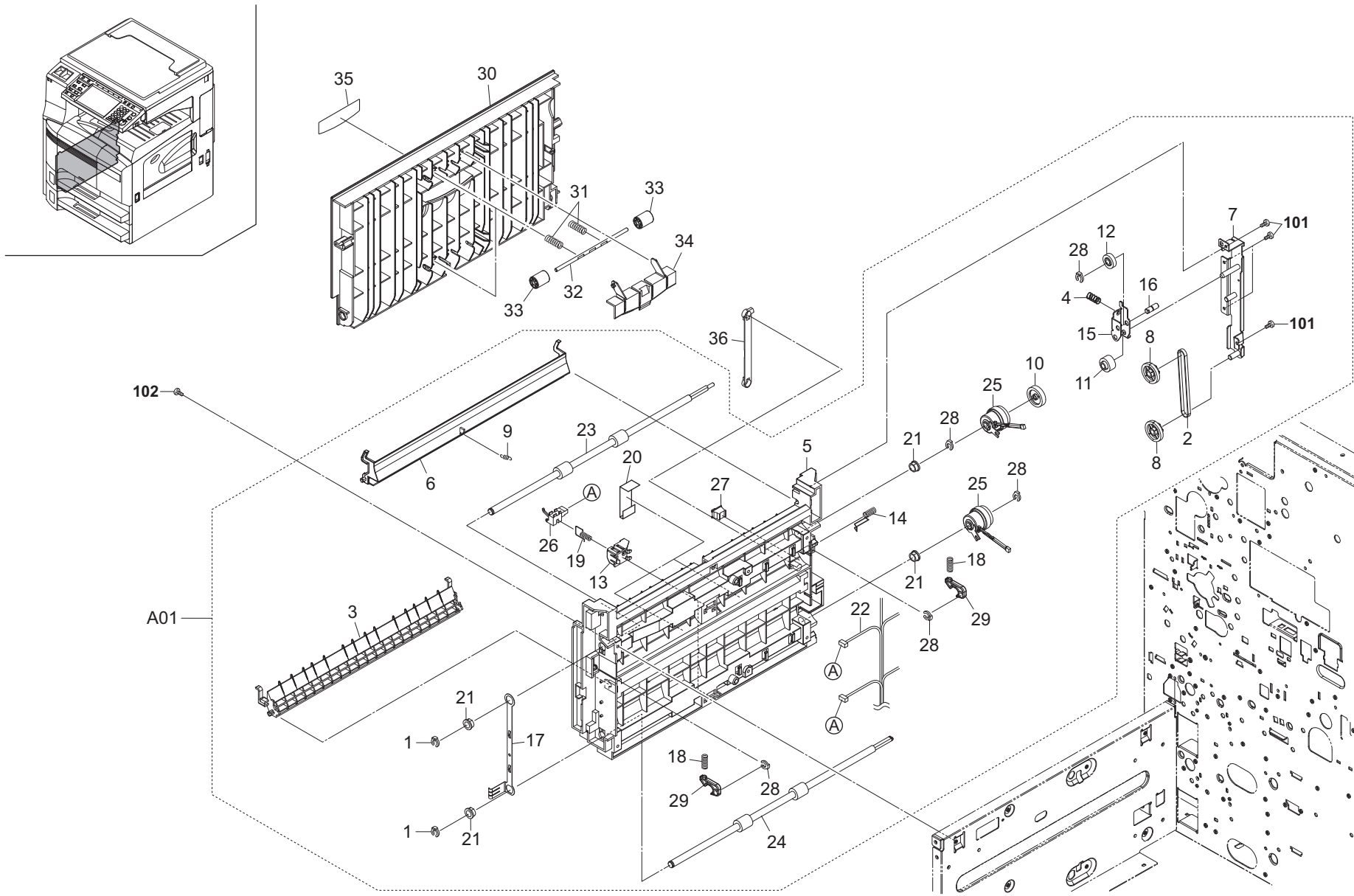




FIG. 4 Paper Feed Section 1

2K5

Ref. No.	Part.No.	Alternative.	Description	Quantity		
				120	230	240
⊙ A01	302H093082	2H093082	PARTS VERTICAL FEED UNIT	1	1	1
1	•2BC06980	2BC06980	STOPPER 5	2	2	2
⊙ 2	•2BL06320	2BL06320	BELT CONVEYING	1	1	1
3	•2BL06330	2BL06330	GUIDE B FEED	1	1	1
4	•2FG06070	2FG06070	SPRING FEED JOINT	1	1	1
5	•302H006012	2H006012	FRAME VERTICAL FEED	1	1	1
6	•302H006041	2H006041	GUIDE VERTICAL	1	1	1
7	•302H006050	2H006050	PLATE VERTICAL DRIVE	1	1	1
⊙ 8	•302H006080	2H006080	GEAR Z31S-P18 FEED	2	2	2
9	•302H006090	2H006090	SPRING GUIDE VERTICAL	1	1	1
⊙ 10	•302H006100	2H006100	GEAR Z30S VERTICAL IDLE	1	1	1
⊙ 11	•302H006110	2H006110	GEAR Z20S JOINT FEED A	1	1	1
⊙ 12	•302H006120	2H006120	GEAR Z20S JOINT FEED B	1	1	1
13	•302H006300	2H006300	HOLDER FEED SWITCH	2	2	2
14	•302H006360	2H006360	SPRING EARTH SW	1	1	1
15	•302H006390	2H006390	PLATE VERTICAL JOINT A	1	1	1
16	•302H006400	2H006400	PIN VERTICAL	1	1	1
17	•302H006410	2H006410	PLATE EARTH VERTICAL	1	1	1
18	•302H006420	2H006420	SPRING COVER HOOK	2	2	2
19	•302H006430	2H006430	SPRING EARTH PI	2	2	2
20	•302H006440	2H006440	FILM VERTICAL FEED	2	2	2
21	•302H024360	2H024360	BUSH 8 EW	4	4	4
22	•302H046210	2H046210	WIRE CONVEYING UNIT	1	1	1
⊙ 23	•302H094091	2H094091	PARTS ROLLER VERTICAL FEED A SP	1	1	1
⊙ 24	•302H094101	2H094101	PARTS ROLLER VERTICAL FEED B SP	1	1	1
⊙ 25	•302H094210	2H094210	PARTS CLUTCH FEED SP	2	2	2
⊙ 26	•302H094230	2H094230	PARTS SWITCH CONVEYING SP	2	2	2
⊙ 27	•35927420	35927420	SWITCH,SIZE	1	1	1
28	•5MVX111DN003	2A806250	RING STOPPER /A-49 FEED A4	5	5	5
⊙ 29	•5MVX421DN003	2BL06490	LOCK COVER R /40283V0068 A4	2	2	2
⊙ 30	302H006210	2H006210	COVER LEFT FEED	1	1	1
31	302H006350	2H006350	SPRING FEED	4	4	4
32	302H024090	2H024090	SHAFT MID FEED	2	2	2
⊙ 33	3HY07120	3HY07120	PULLEY 15 DUPLEX	4	4	4
34	302H006380	2H006380	COVER VERTICAL INNER	1	1	1
35	302H034050	2H034050	LABEL VERTICAL COVER	1	1	1
36	302H006200	2H006200	STRAP VERTICAL COVER	1	1	1

Ref. No.	Part.No.	Alternative.	Description	Quantity		
				120	230	240
101	7BB200308H	BB105660	+BIND T.T P SCREW 3X8			
102	7BB100306H	BB046010	+BIND T.T S SCREW 3X6			

- Parts with "\*" are component parts or sub-assemblies of the assembly appearing immediately above them.
- Parts with "⊙" indicate regular maintenance parts.

- Parts with "••" are component parts or sub-assembly with "•" appearing immediately above them.

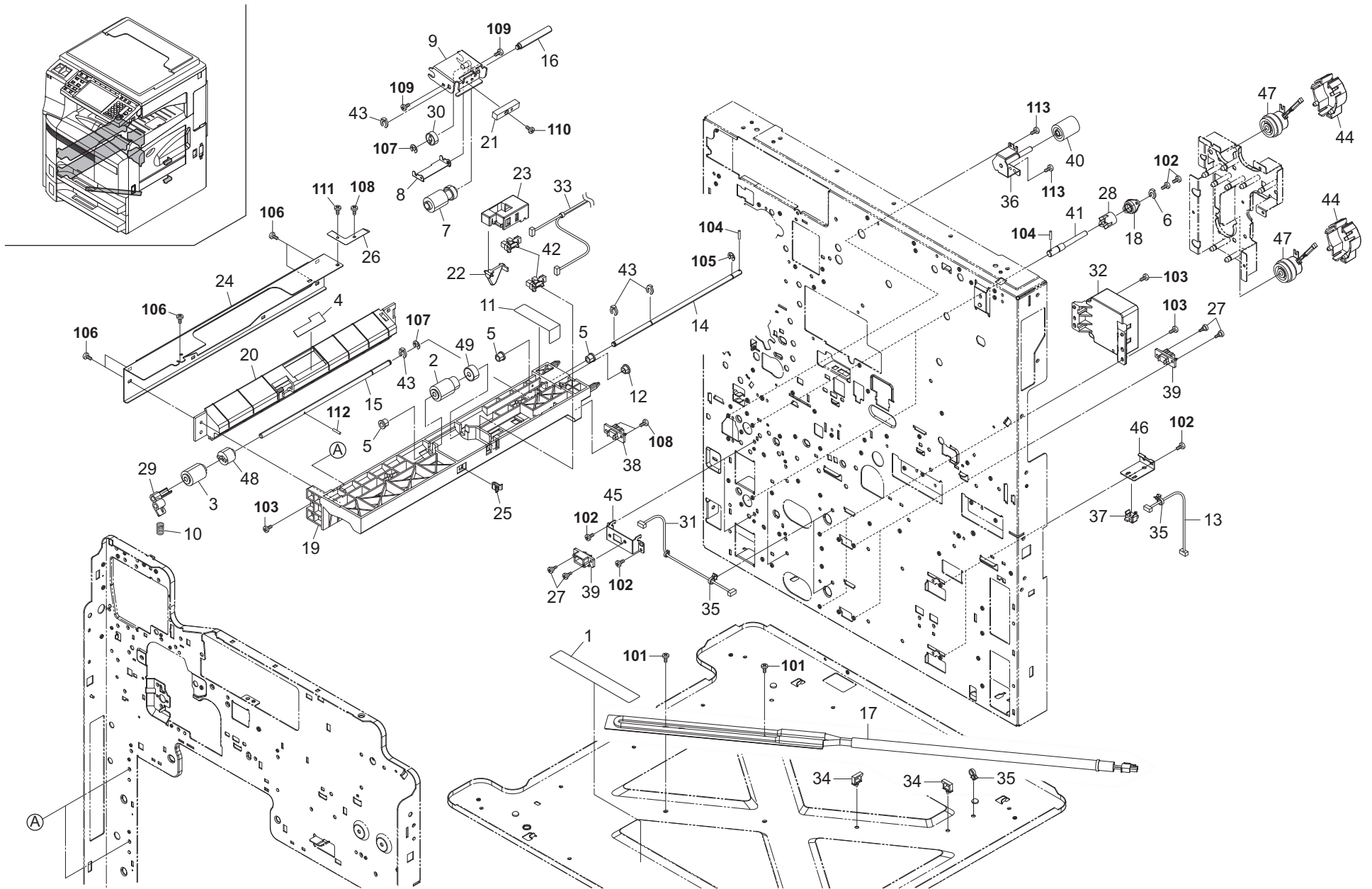


FIG. 5 Paper Feed Section 2

2K5

Ref. No.	Part.No.	Alternative.	Description	Quantity		
				120	230	240
1	20305130	20305130	LABEL L,HIGH TEMPERATURE CAUTION(EXP)	1	1	1
2	2AR07220	2AR07220	PULLEY,PAPER FEED	2	2	2
3	2AR07230	2AR07230	PULLEY,SEPARATION	2	2	2
4	2AR07660	2AR07660	GUIDE FILM,SEPARATION PULLEY	2	2	2
5	2BC06520	2BC06520	BUSHING 6,REGISTRATION	6	6	6
6	2BC06910	2BC06910	STOPPER 6	2	2	2
7	2BJ06010	2BJ06010	PULLEY FEED A	2	2	2
8	2BL07900	2BL07900	PLATE LEADING FEED	2	2	2
9	2BL07910	2BL07910	SUPPORT PLATE FEED	2	2	2
10	2BL07990	2BL07990	SPRING SEPARATION	2	2	2
11	302H009140	2H009140	SHIELD PF	2	2	2
12	34806040	34806040	LOWER BUSHING,PAPER FEED	2	2	2
13	302H046600	2H046600	WIRE CASSETTE SW	2	2	2
14	302AR07252	2AR07252	SHAFT,PAPER FEED	2	2	2
15	302GR06101	2GR06101	SHAFT SEPARATION	2	2	2
16	302AR07271	2AR07271	SHAFT,LEADING FEED	2	2	2
17	302FB25061	2FB25061	HEATER DEHUMIDIFIER 240		1	1
17	302FB25052	2FB25052	HEATER DEHUMIDIFIER 120	1		
18	302FG07070	2FG07070	BUSHING,PRIMARY PAPER FEED	2	2	2
19	302FG07253	2FG07253	UPPER HOUSING,PAPER FEED	2	2	2
20	302FG07260	2FG07260	LOWER HOUSING,PAPER FEED	2	2	2
21	302FG07271	2FG07271	WEIGHT,LEADING FEED PULLEY	2	2	2
22	302FG07290	2FG07290	ACTUATOR,PAPER EMPTY	2	2	2
23	302FG07300	2FG07300	HOLDER,ACTUATOR	2	2	2
24	302FG07310	2FG07310	REINFORCEMENT PRIMARY PAPER FEED	2	2	2
25	302FG07320	2FG07320	STOPPER,SUPPORT PLATE	2	2	2
26	302FG07330	2FG07330	GROUND PLATE,PRIMARY PAPER FEED	2	2	2
27	302FZ03070	2FZ03070	RETAINING PIN DRAWER	8	8	8
28	302FZ32070	2FZ32070	COUPLING PAPER FEED	2	2	2
29	302GR06201	2GR06201	LEVER SEPARATION RELEASE	2	2	2
30	34922420	34922420	GEAR 15	2	2	2
31	302H046690	2H046690	WIRE CASSETTE SIZE	2	2	2
32	302GR44112	2GR44112	MOTOR LIFT	2	2	2
33	302GR46431	2GR46431	WIRE PRIMARY FEED UNIT1	2	2	2
34	7YZM610002++H01	YZ010240	ACCESS SADDLE	2	2	2
35	M21AH010	M21AH010	BAND,RSG-130-V0(KITAGAWA)	5	5	5
36	302H006140	2H006140	BRACKET GEAR JOINT FEED	1	1	1
37	66127010	66127010	SWITCH,COVER OPEN	2	2	2
38	7YCC08B2046+H01	YC026110	CONNECTOR	2	2	2
39	7YCC08B2046+H02	YC026130	CONNECTOR	4	4	4
40	302H006180	2H006180	GEAR Z25S FEED C	1	1	1
41	302H006190	2H006190	SHAFT PRIMARY FEED	2	2	2
42	5FNXGP1A73A++02	2DC27180	PT.SENSOR GP1A73AJ00/ BK	4	4	4
43	5MVX111DN003	2A806250	RING STOPPER /A-49 FEED A4	8	8	8
44	302H006240	2H006240	HOLDER FEED CLUTCH	2	2	2
45	302H006340	2H006340	MOUNT FEED DRAWER	2	2	2
46	302H006370	2H006370	MOUNT CASSETTE SWITCH	2	2	2
47	302H094210	2H094210	PARTS CLUTCH FEED SP	2	2	2
48	2C907280	2C907280	TORQUE LIMITER 340	2	2	2
49	33906160	33906160	GEAR 16,PAPER FEED	2	2	2

Ref. No.	Part.No.	Alternative.	Description	Quantity		
				120	230	240
101	7BB100408H	BB048820	+BIND T.T S SCREW 4X8			
102	7BB100306H	BB046010	+BIND T.T S SCREW 3X6			
103	7BB102308H	BB046210	TP TAP-TITE SCREW M3X8			
104	5MBP2012WXSP	E0020120	SPRING PIN / M2 X 12 S-BLK			
105	7BD105060+++H01	BD018620	E STOP RING E-5			
106	7BB200310H	BB105670	+BIND T.T P SCREW 3X10			
107	D1A00400	D1A00400	STOP RING E-4(TRIVALENT CHROMATING)			
108	7BB200308H	BB105660	+BIND T.T P SCREW 3X8			
109	7BB000304H	BB105720	+BIND M SCREW 3X4			
110	7BB003310H	BB023700	COUNTER-SUNK HEAD SCREW FHM3X10			
111	7BB000305H	BB063450	+BIND M SCREW 3X5			
112	E5120080	E5120080	PARALLEL PIN H7A 2X8 SUS			
113	7BB780308H	BB111200	+BIND T.T S SCREW 3X8 SR(BLACK)			

- Parts with "\*" are component parts or sub-assemblies of the assembly appearing immediately above them.
- Parts with "⊙" indicate regular maintenance parts.

- Parts with "••" are component parts or sub-assembly with "•" appearing immediately above them.

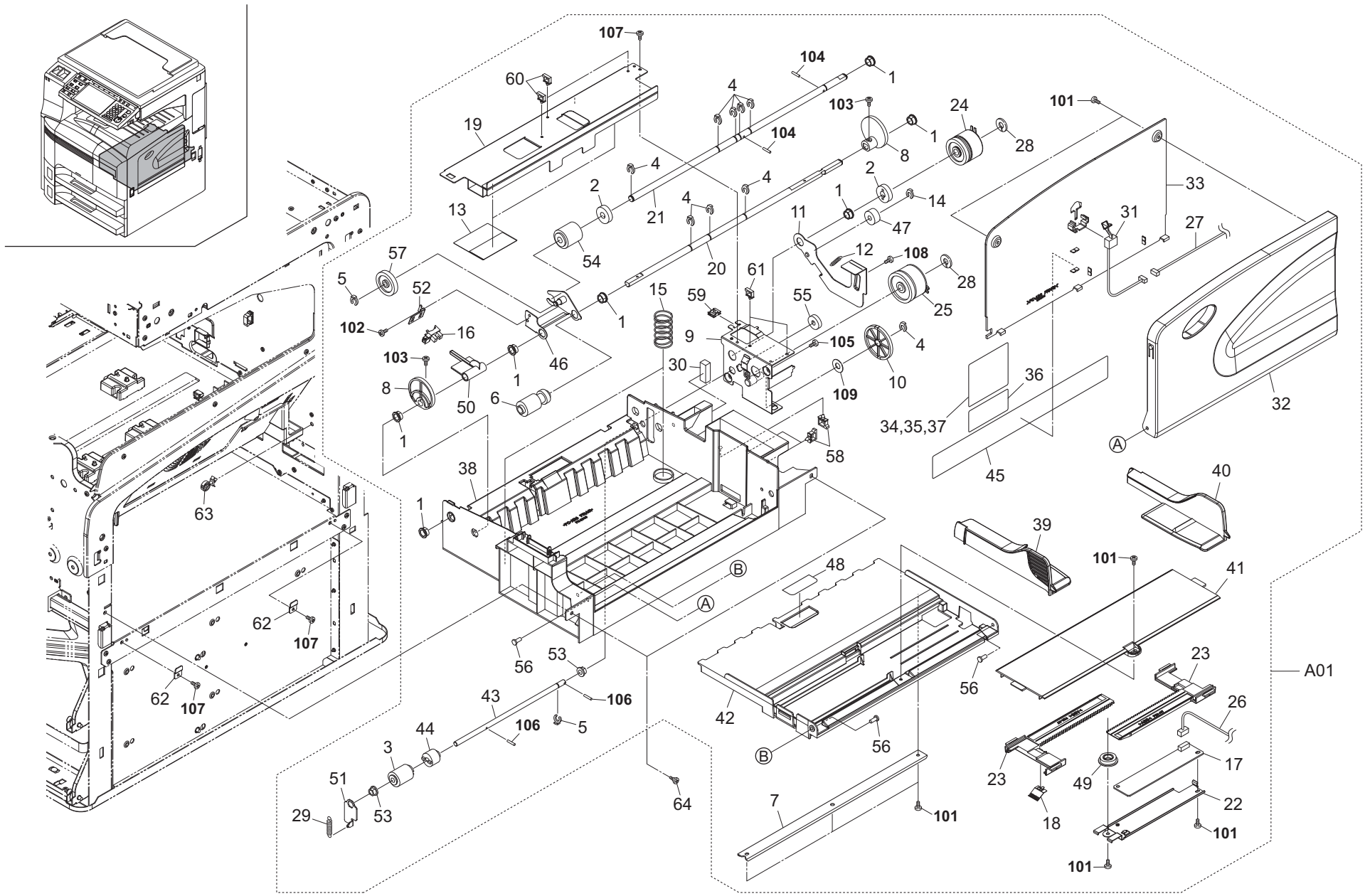


FIG. 6 Paper Feed Section 3

2K5

Ref. No.	Part.No.	Alternative.	Description	Quantity		
				120	230	240
⊙ A01	302K594090	2K594090	PARTS MPF UNIT SP	1	1	1
⊙ 1	*28107310	49028101	BUSH 8	7	7	7
⊙ 2	*29415100	45729416	GEAR,TONER ROLLER	2	2	2
⊙ 3	*2AR07230	2AR07230	PULLEY,SEPARATION	1	1	1
⊙ 4	*2BC06910	2BC06910	STOPPER 6	9	9	9
⊙ 5	*2BC06980	2BC06980	STOPPER 5	2	2	2
⊙ 6	*2BJ06010	2BJ06010	PULLEY FEED A	1	1	1
⊙ 7	*2BL06650	2BL06650	STAY LIFTPLATE	1	1	1
⊙ 8	*2BL06680	2BL06680	CAM BYPASS	2	2	2
⊙ 9	*2BL06690	2BL06690	MOUNT BYPASSDRIVE	1	1	1
⊙ 10	*2BL06720	2BL06720	GEAR 55/15	1	1	1
⊙ 11	*2BL06850	2BL06850	JOINT RETARD	1	1	1
⊙ 12	*2BL06870	2BL06870	SPRING JOINTRETARD	1	1	1
⊙ 13	*2BL06880	2BL06880	FILM BYPASS	2	2	2
⊙ 14	*2BL06990	2BL06990	STOPPER GEAR 8-25	1	1	1
⊙ 15	*2BL07860	2BL07860	SPRING BYPASS	2	2	2
⊙ 16	*2C927210	2C927210	SENSOR 248NL1	1	1	1
⊙ 17	*2FG01020	2FG01020	SIZE DETECTION ASS'Y	1	1	1
⊙ 18	*302BC07861	2BC07861	TERMINAL,PAPER SIZE DETECTION	1	1	1
⊙ 19	*302BL06531	2BL06531	COVER BYPASSUNIT	1	1	1
⊙ 20	*302BL06761	2BL06761	SHAFT BYPASSCAM	1	1	1
⊙ 21	*302BL06771	2BL06771	SHAFT BYPASS	1	1	1
⊙ 22	*302GR08060	2GR08060	MOUNT SIZE PWB	1	1	1
⊙ 23	*302GR08071	2GR08071	RACK CURSOR	2	2	2
⊙ 24	*302GR44120	2GR44120	CLUTCH FEED	1	1	1
⊙ 25	*302GR44131	2GR44131	CLUTCH FEED B	1	1	1
⊙ 26	*302GR46230	2GR46230	WIRE BYPASS UNIT	1	1	1
⊙ 27	*302GR46270	2GR46270	WIRE BYPASS TRAY	1	1	1
⊙ 28	*302H008180	2H008180	CUT WASHER MPF 5	2	2	2
⊙ 29	*302H008290	2H008290	SPRING RETARD	1	1	1
⊙ 30	*302H008330	2H008330	CUSHION MPF	1	1	1
⊙ 31	*302H044100	2H044100	SWITCH BYPASS SIZE	1	1	1
⊙ 32	*302K504180	2K504180	COVER BYPASSSTRAY	1	1	1
⊙ 33	*302K508010	2K508010	TABLE BYPASS	1	1	1
⊙ 34	*302K534070	2K534070	LABEL SET PAPER CAUTION A	1	1	1
⊙ 35	*302K534080	2K534080	LABEL SET PAPER CAUTION E	1	1	1
⊙ 36	*302K534110	2K534110	LABEL SET PAPER CAUTION	1	1	1
⊙ 37	*302K534160	2K534160	LABEL SET PAPER CAUTION J	1	1	1
⊙ 38	*302KS08060	2KS08060	BASE BYPASS	1	1	1
⊙ 39	*302KS08070	2KS08070	FRONT CURSOR BYPASS	1	1	1
⊙ 40	*302KS08080	2KS08080	REAR CURSOR BYPASS	1	1	1
⊙ 41	*302KS08090	2KS08090	COVER CURSOR	1	1	1
⊙ 42	*302KS08100	2KS08100	PLATE LIFT BYPASS	1	1	1
⊙ 43	*302KS08180	2KS08180	SHAFT RETARD	1	1	1
⊙ 44	*302KS08190	2KS08190	TORQUE LIMITER 620	1	1	1
⊙ 45	*302KS34040	2KS34040	LABEL BYPASS SIZE	1	1	1
⊙ 46	*303A206131	3A206131	JOINT,BYPASS PICKUP	1	1	1
⊙ 47	*33906160	33906160	GEAR 16,PAPER FEED	1	1	1
⊙ 48	*34806490	34806490	FRICTION PLATE,BYPASS LEADING FEED	1	1	1
⊙ 49	*34907141	34907141	GEAR 18,CASSETTE	1	1	1

- Parts with "\*" are component parts or sub-assemblies of the assembly appearing immediately above them.
- Parts with "⊙" indicate regular maintenance parts.

Ref. No.	Part.No.	Alternative.	Description	Quantity		
				120	230	240
50	*3A206100	3A206100	ARM,BYPASS PE	1	1	1
51	*3A206170	3A206170	HOLDER,RETARD	1	1	1
52	*3A206210	3A206210	MOUNT,BYPASS PE SWITCH	1	1	1
53	*3CY07080	3CY07080	BUSHING 6	2	2	2
⊙ 54	*61706770	61706770	UPPER PULLEY,BYPASS	1	1	1
⊙ 55	*66006810	66006810	GEAR 16 BYPASS PULLEY	1	1	1
⊙ 56	*66007310	66007310	PIN,CASSETTE WORK PLATE	3	3	3
⊙ 57	*72321350	72321350	GEAR 30, FD EJECT IDLE	1	1	1
58	*7YZM610003++H01	YZ010250	ACCESS SADDLE	3	3	3
59	*M2104350	M2104350	EDGING,EDS-0607M(KITAGAWA)	1	1	1
60	*M2105210	M2105210	MINI CLAMP,UAMS-02WL-0(KITAGAWA)	3	3	3
61	*M2105740	M2105740	MINIATURE CLAMP,UAMS-05S-2	2	2	2
62	2BL06890	2BL06890	PLATE BYPASS HOLD	2	2	2
63	5MVX431NN001	3D302100	SPACING CLIP /VSC-10 XX	1	1	1
64	2FB20860	2FB20860	PIN FUSER COVER	2	2	2
101	7BB202308H	BB105690	+TP-FLAT T.T P SCREW 3X8			
102	7BB000305H	BB063450	+BIND M SCREW 3X5			
103	7BB600308H	BB055190	+BIND M SCREW 3X8 R			
104	5MBP2014WXSP	E0020140	SPRING PIN / M2 X 14 S-BLK			
105	7BB200306H	BB105650	+BIND T.T P SCREW 3X6			
106	5MBP2010WXSP	E0020100	SPRING PIN / M2 X 10 S-BLK			
107	7BB100306H	BB046010	+BIND T.T S SCREW 3X6			
108	7BB202306H	BB106940	+TP-FLAT T.T P SCREW 3X6			
109	C2895130	C2895130	SHIM 8.2-0.5T			

- Parts with "•" are component parts or sub-assembly with "•" appearing immediately above them.

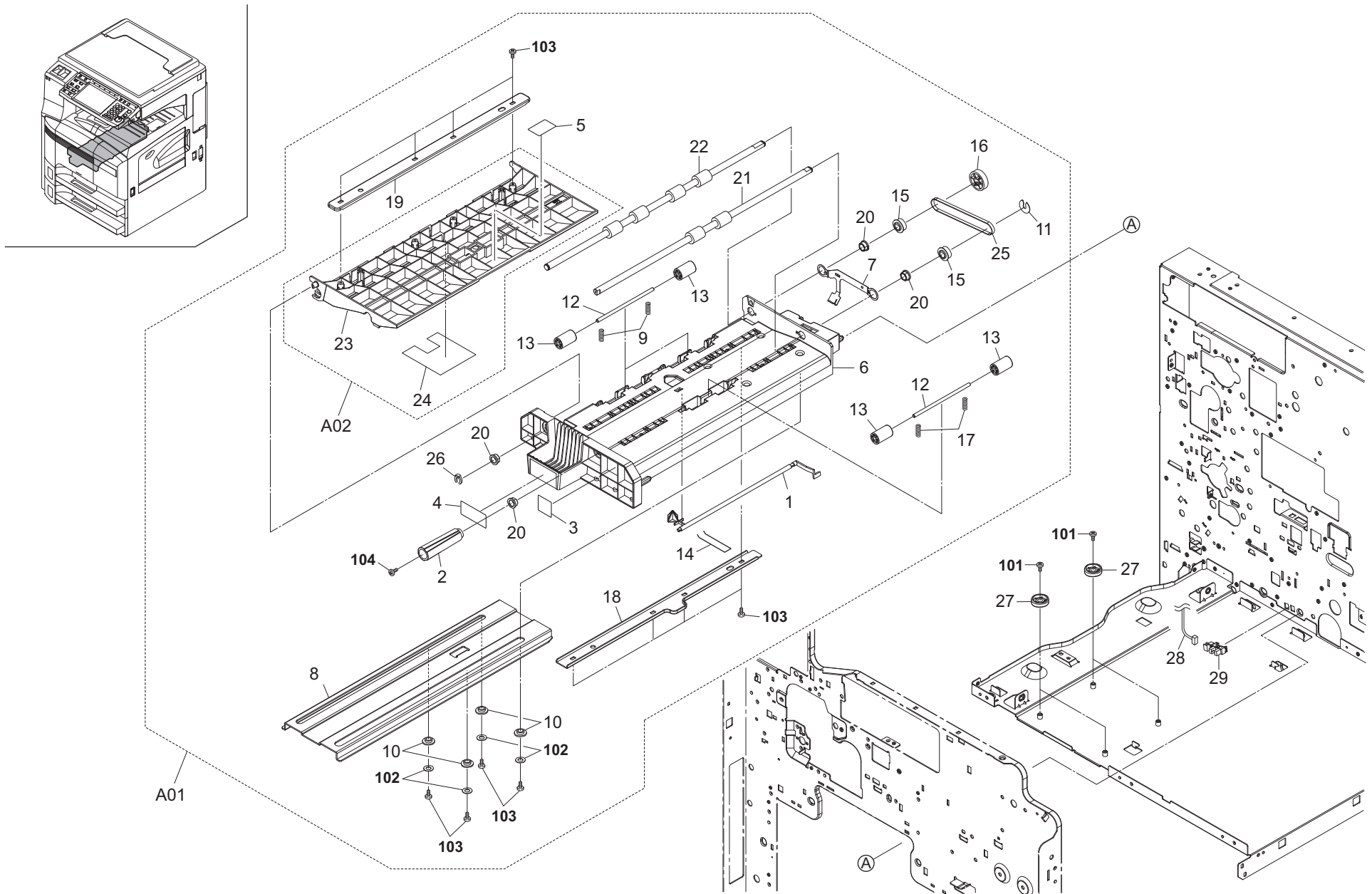


FIG. 7 Paper Feed Section 4

2K5

Ref. No.	Part.No.	Alternative.	Description	Quantity		
				120	230	240
⊙ A01	302H093121	2H093121	PARTS MPF FEED UNIT	1	1	1
1	*2BL06730	2BL06730	ACTUATOR BYPASSFEED	1	1	1
2	*2BL06830	2BL06830	DIAL BYPASSFEED	1	1	1
3	*302GR34050	2GR34050	LABEL JAM A1	1	1	1
4	*302GR34060	2GR34060	LABEL JAM A2	1	1	1
5	*302GR34070	2GR34070	LABEL JAM A3	1	1	1
6	*302H008020	2H008020	BASE MPF FEED	1	1	1
7	*302H008050	2H008050	GROUND PLATE MPF	1	1	1
8	*302H008080	2H008080	RAIL MPF FEED	1	1	1
9	*302H008140	2H008140	SPRING BYPASSFFED	4	4	4
10	*302H008170	2H008170	COLLER MPF	4	4	4
11	*302H008180	2H008180	CUT WASHER MPF 5	1	1	1
12	*302H008200	2H008200	SHAFT MPF FEED SIDE	3	3	3
⊙ 13	*302H008220	2H008220	PULLEY 15 MPF FEED	6	6	6
14	*302H008240	2H008240	SPRING BYPASS	1	1	1
⊙ 15	*302H008250	2H008250	PULLEY MPF Z25	2	2	2
⊙ 16	*302H008260	2H008260	GEAR MPF Z30	1	1	1
17	*302H008281	2H008281	SPRING BYPASSFEED 2	2	2	2
18	*302H008320	2H008320	STAY MPF	1	1	1
19	*302H008420	2H008420	STAY GUIDE MPF UPPER	1	1	1
20	*302H024360	2H024360	BUSH 8 EW	4	4	4
⊙ 21	*302H094110	2H094110	PARTS ROLLER MPF FEED A SP	1	1	1
⊙ 22	*302H094120	2H094120	PARTS ROLLER MPF FEED B SP	1	1	1
⊙ A02	*302H094560	2H094560	PARTS UPPER MPF FEED SP	1	1	1
23	**302H008011	2H008011	GUIDE MPF FEED	1	1	1
24	**302H008340	2H008340	FILM UPPER GUIDE	1	1	1
⊙ 25	*303J131270	3J131270	BELT S2M 230	1	1	1
26	*5MVL177DN002	2FB06820	RING STOPPER 6	1	1	1
27	302H008090	2H008090	PULLEY RAIL MPF FEED	4	4	4
28	302H046450	2H046450	WIRE MPF PI	1	1	1
⊙ 29	2C927210	2C927210	SENSOR 248NL1	1	1	1

Ref. No.	Part.No.	Alternative.	Description	Quantity		
				120	230	240
101	7BB007304H	BB105810	+TP-CUP M SCREW 3X4			
102	5MBWK62955NN	C2892950	POLY SLIDER /M6.2X9.5X0.5T PLASTC			
103	7BB202308H	BB105690	+TP-FLAT T.T P SCREW 3X8			
104	7BB007306H	BB112570	+TP-CUP M SCREW 3X6			

- Parts with "\*" are component parts or sub-assemblies of the assembly appearing immediately above them.
- Parts with "⊙" indicate regular maintenance parts.

- Parts with "••" are component parts or sub-assembly with "•" appearing immediately above them.

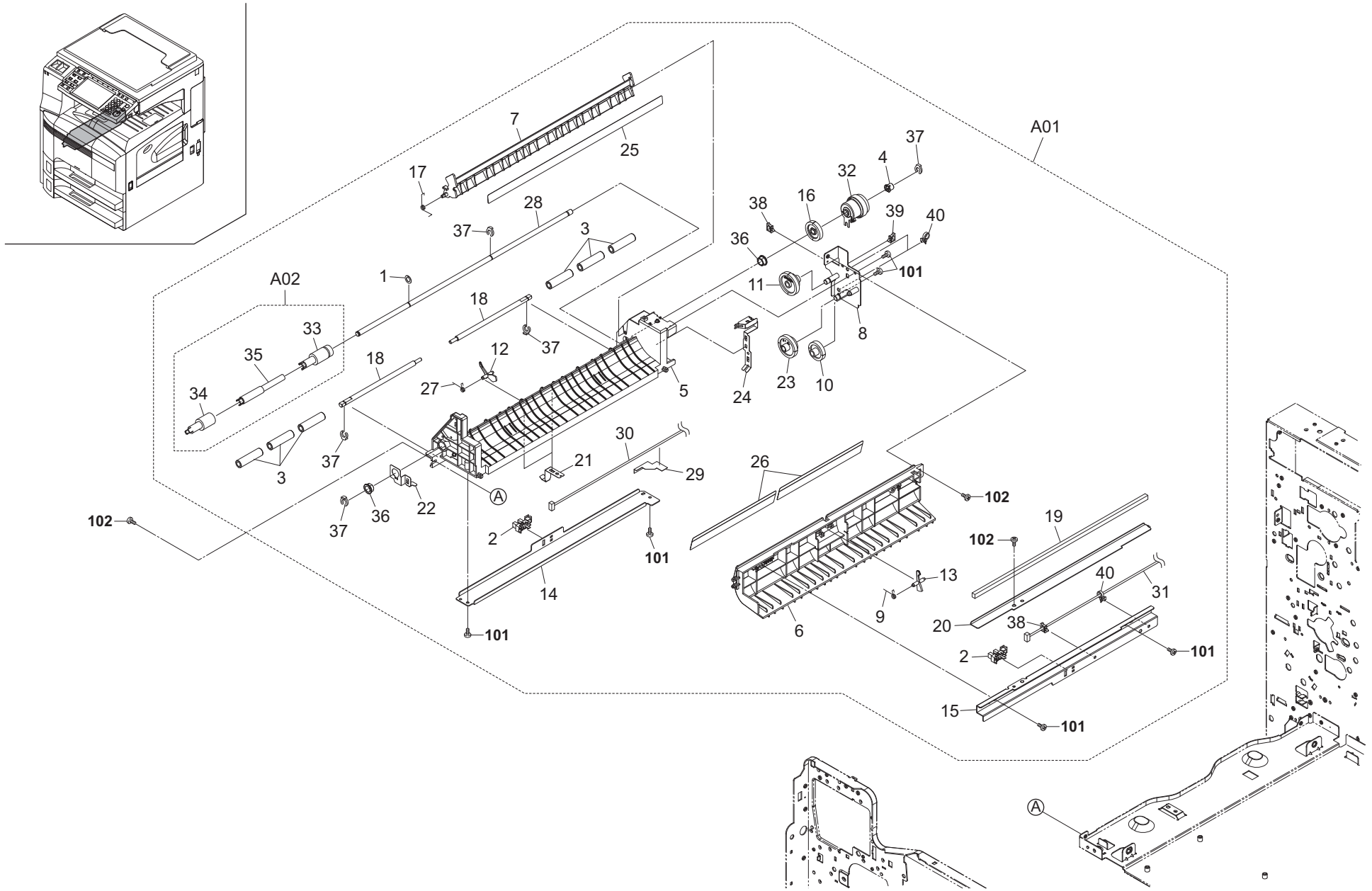




FIG. 8 Paper Conveying Section 1

2K5

Ref. No.	Part.No.	Alternative.	Description	Quantity		
				120	230	240
⊙ A01	302H093091	2H093091	PARTS MIDDLE FEEED UNIT	1	1	1
1	*2BG22990	2BG22990	CUT WASHER 4	1	1	1
2	*2C927210	2C927210	SENSOR 248NL1	2	2	2
⊙ 3	*2FG06110	2FG06110	PULLEY MIDDLE FEED	6	6	6
4	*302GR22110	2GR22110	COLLAR TRANS ROLLER	1	1	1
5	*302H024050	2H024050	BASE MID FEED LOW	1	1	1
6	*302H024060	2H024060	BASE MID FEED UPPER	1	1	1
7	*302H024073	2H024073	GUIDE MID FEED	1	1	1
8	*302H024080	2H024080	PLATE MID FEED	1	1	1
9	*302H024100	2H024100	SPRING ACTUATOR	1	1	1
⊙ 10	*302H024110	2H024110	GEAR FEED Z29S	1	1	1
⊙ 11	*302H024120	2H024120	GEAR FEED Z36SZ24S	1	1	1
12	*302H024130	2H024130	ACTUATOR MID FEED	1	1	1
13	*302H024140	2H024140	ACTUATOR REGIST	1	1	1
14	*302H024150	2H024150	PLATE MID FEED PI	1	1	1
15	*302H024160	2H024160	PLATE REG SW	1	1	1
⊙ 16	*302H024200	2H024200	GEAR FEED Z30S CLUTCH	1	1	1
17	*302H024220	2H024220	SPRING GUIDE MID FEED	1	1	1
18	*302H024230	2H024230	SHAFT PULLEY FEED	2	2	2
⊙ 19	*302H024240	2H024240	SPONGE CLEANER REG	1	1	1
20	*302H024350	2H024350	MOUNT CLEANER REG	1	1	1
21	*302H024380	2H024380	PLATE GROUND SHAFT	2	2	2
22	*302H024391	2H024391	PLATE GROUND ROLLER	1	1	1
⊙ 23	*302H024400	2H024400	GEAR FEED Z35SZ23S	1	1	1
24	*302H024450	2H024450	PLATE GROUND REG SW	1	1	1
25	*302H024460	2H024460	FILM GUIDE MID FEED	1	1	1
26	*302H024470	2H024470	FILM GUIDE REG	2	2	2
27	*302H024600	2H024600	SPRING ACTUATOR LOWER	1	1	1
28	*302H024622	2H024622	SHAFT PULLEY MID FEED	1	1	1
29	*302H024650	2H024650	FILM GUIDE HARNESS	1	1	1
30	*302H046350	2H046350	WIRE MIDDLE FEED	1	1	1
31	*302H046430	2H046430	WIRE RESIST	1	1	1
32	*302H094210	2H094210	PARTS CLUTCH FEED SP	1	1	1
⊙ 33	*302H094431	2H094431	PARTS PULLEY MID FEED ASSY SP	1	1	1
34	**302H024780	2H024780	PULLEY ONEWAY C ASSY	1	1	1
35	**302H024790	2H024790	PULLEY MID FEED C ASSY	2	2	2
36	**302H024810	2H024810	COLLAR JOINT MID C	1	1	1
37	*3CY07080	3CY07080	BUSHING 6	2	2	2
38	*5MVX111DN003	2A806250	RING STOPPER /A-49 FEED A4	5	5	5
39	*7YZM610007+++H01	YZ023340	ACCESS.SADDLE	2	2	2
40	*7YZM610008+++H01	YZ037940	ACCESS.SADDLE	1	1	1
	*M21AH010	M21AH010	BAND,RSG-130-V0(KITAGAWA)	3	3	3

Ref. No.	Part.No.	Alternative.	Description	Quantity		
				120	230	240
101	7BB200308H	BB105660	+BIND T.T P SCREW 3X8			
102	7BB100306H	BB046010	+BIND T.T S SCREW 3X6			

- Parts with "\*" are component parts or sub-assemblies of the assembly appearing immediately above them.
- Parts with "⊙" indicate regular maintenance parts.

- Parts with "••" are component parts or sub-assembly with "•" appearing immediately above them.

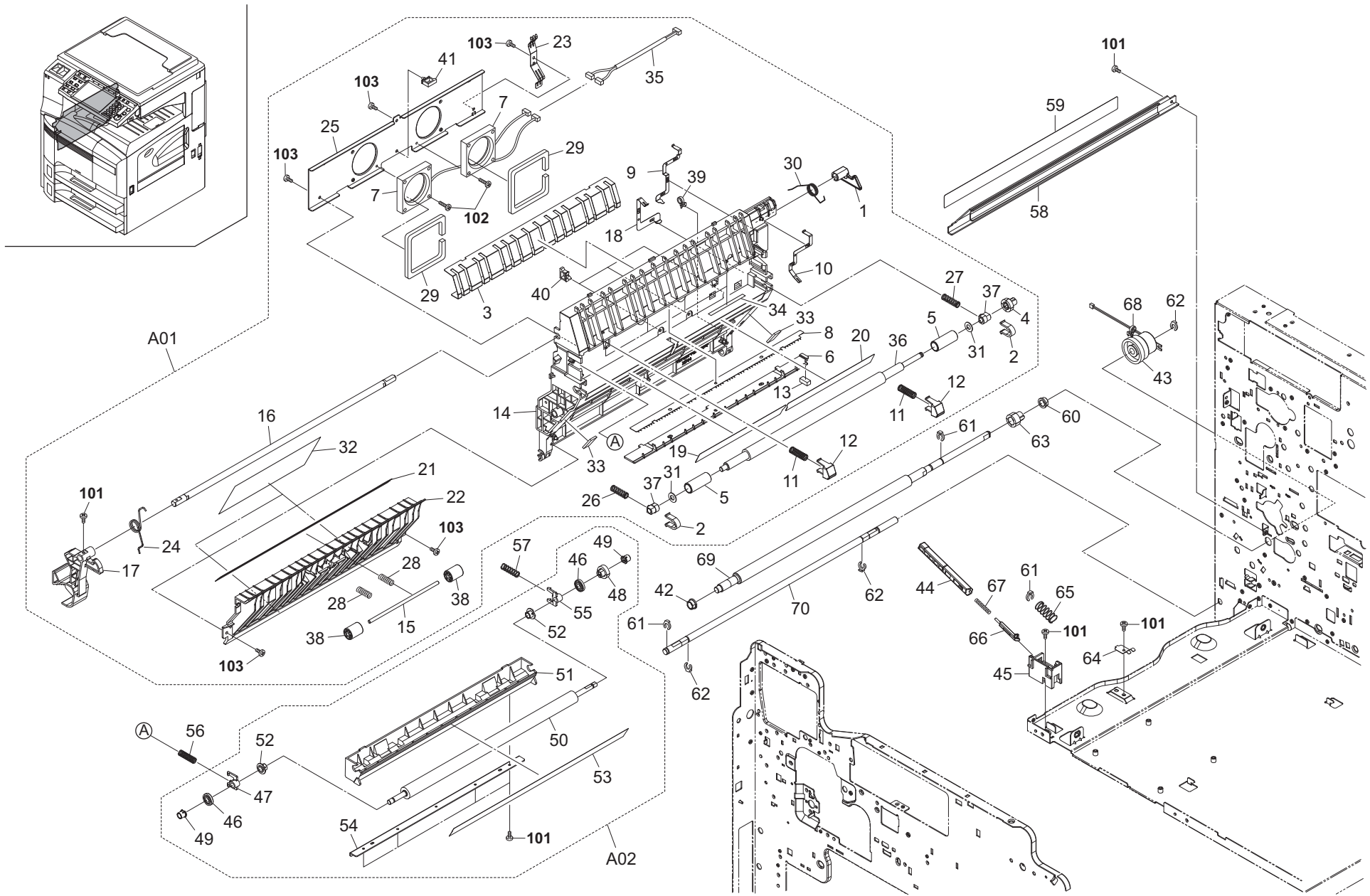


FIG. 9 Paper Conveying Section 2

2K5

Ref. No.	Part.No.	Alternative.	Description	Quantity		
				120	230	240
⊙ A01	302H093182	2H093182	PARTS CONVEYING UNIT	1	1	1
⊙ 1	*2C916070	2C916070	LEVER CONVEYING REAR	1	1	1
⊙ 2	*2C916080	2C916080	STOPPER BUSH REG	2	2	2
⊙ 3	*2C916090	2C916090	GUIDE CONVEYING	1	1	1
⊙ 4	*2C916180	2C916180	GEAR Z15 REGIST	1	1	1
⊙ 5	*2C916250	2C916250	COLLAR REGIST	2	2	2
⊙ 6	*2C917070	2C917070	HOUSING STA ELIMINATION	1	1	1
⊙ 7	*2DA27020	2DA27020	FAN COOLING 50-10	2	2	2
⊙ 8	*2FT17030	2FT17030	PLATE STA ELIMINATION	1	1	1
⊙ 9	*302H022040	2H022040	TERMINAL PLATE TRANS	1	1	1
⊙ 10	*302H022050	2H022050	TERMINAL PLATE STA	1	1	1
⊙ 11	*302H022090	2H022090	SPRING TRANS GUIDE	2	2	2
⊙ 12	*302H022130	2H022130	HOLDER SPRING TRANS	2	2	2
⊙ 13	*302H022150	2H022150	CUSHION TRANS GUIDE	1	1	1
⊙ 14	*302H024040	2H024040	FRAME CONVEYING	1	1	1
⊙ 15	*302H024090	2H024090	SHAFT MID FEED	1	1	1
⊙ 16	*302H024180	2H024180	SHAFT CONVEYING HOOK	1	1	1
⊙ 17	*302H024190	2H024190	HOOK CONVEYING F	1	1	1
⊙ 18	*302H024210	2H024210	GROUND PLATE REG	1	1	1
⊙ 19	*302H024250	2H024250	FILM GUIDE REGIST F	1	1	1
⊙ 20	*302H024260	2H024260	FILM GUIDE REGIST R	1	1	1
⊙ 21	*302H024270	2H024270	FILM GUIDE DU	1	1	1
⊙ 22	*302H024281	2H024281	GUIDE CONVEYING LOW	1	1	1
⊙ 23	*302H024290	2H024290	GROUND PLATE FAN	1	1	1
⊙ 24	*302H024300	2H024300	SPRING CONVEYING	1	1	1
⊙ 25	*302H024310	2H024310	PLATE FAN CONVEYING	1	1	1
⊙ 26	*302H024321	2H024321	SPRING REGIST F	1	1	1
⊙ 27	*302H024331	2H024331	SPRING REGIST R	1	1	1
⊙ 28	*302H024340	2H024340	SPRING CONVEYING FEED	2	2	2
⊙ 29	*302H024610	2H024610	SPONGE CONVEYING FAN	2	2	2
⊙ 30	*302H024630	2H024630	SPRING CONVEYING R	1	1	1
⊙ 31	*302H024680	2H024680	CUT WASHER 8	2	2	2
⊙ 32	*302H024691	2H024691	FILM CONVEYING LOW	2	2	2
⊙ 33	*302H024700	2H024700	SPONGE MID FEED GUIDE	2	2	2
⊙ 34	*302H024730	2H024730	TAPE CONVEYING SEP	4	4	4
⊙ 35	*302H046470	2H046470	WIRE CONVEYING FAN	1	1	1
⊙ 36	*302H094141	2H094141	PARTS ROLLER REGIST LEFT SP	1	1	1
⊙ 37	*302K524010	2K524010	BUSH REGIST	2	2	2
⊙ 38	*3HY07120	3HY07120	PULLEY 15 DUPLEX	2	2	2
⊙ 39	*7YZM420003++H01	YZ052580	ACCESS.BAND	1	1	1
⊙ 40	*7YZM610007++H01	YZ023340	ACCESS.SADDLE	3	3	3
⊙ 41	*7YZM610009++H01	YZ042980	ACCESS.SADDLE	1	1	1
⊙ 42	302H024360	2H024360	BUSH 8 EW	1	1	1
⊙ 43	302H094611	2H094611	PARTS CLUTCH REGISTRATION 6K SP	1	1	1
⊙ 44	302H024420	2H024420	SHAFT LOCK MPF	1	1	1
⊙ 45	302H024430	2H024430	MOUNT LOCK SHAFT	1	1	1
⊙ A02	302H093051	2H093051	PARTS TR-670	1	1	1
⊙ 46	*2C917110	2C917110	COLLAR TRANS	2	2	2
⊙ 47	*2C917180	2C917180	BUSH TRANS ROLL F	1	1	1
⊙ 48	*2FT17020	2FT17020	GEAR TRANSFER	1	1	1

Ref. No.	Part.No.	Alternative.	Description	Quantity		
				120	230	240
⊙ 49	*302GR22110	2GR22110	COLLAR TRANS ROLLER	2	2	2
⊙ 50	*302H022010	2H022010	ROLLER TRANSFER	1	1	1
⊙ 51	*302H022021	2H022021	GUIDE TRANS LEFT	1	1	1
⊙ 52	*302H022100	2H022100	BUSH TRANS GUIDE	2	2	2
⊙ 53	*302H022110	2H022110	SHEET TRANS GUIDE LEFT	1	1	1
⊙ 54	*302H022140	2H022140	REINFORCEMENT TRANS	1	1	1
⊙ 55	*302H022160	2H022160	BUSH TRANSFER	1	1	1
⊙ 56	302H022071	2H022071	SPRING TRANS ROLL F	1	1	1
⊙ 57	302H022080	2H022080	SPRING TRANS ROLL R	1	1	1
⊙ 58	302H022030	2H022030	GUIDE TRANS RIGHT	1	1	1
⊙ 59	302H022120	2H022120	SHEET TRANS GUIDE RIGHT	1	1	1
⊙ 60	28107310	49028101	BUSH 8	1	1	1
⊙ 61	2BC06910	2BC06910	STOPPER 6	3	3	3
⊙ 62	2BC06980	2BC06980	STOPPER 5	3	3	3
⊙ 63	2C907130	2C907130	GEAR Z15 REGIST	1	1	1
⊙ 64	302H024440	2H024440	PLATE GROUND MID FEED	1	1	1
⊙ 65	302H024530	2H024530	SPRING LOCK SHAFT	1	1	1
⊙ 66	302H024541	2H024541	PIN LOCK MPF	1	1	1
⊙ 67	302H024550	2H024550	SPRING LOCK PIN	1	1	1
⊙ 68	M21AH010	M21AH010	BAND,RSG-130-V0(KITAGAWA)	1	1	1
⊙ 69	302H024020	2H024020	ROLLER REGIST RIGHT	1	1	1
⊙ 70	302H024170	2H024170	SHAFT CONVEYING	1	1	1
101	7BB100306H	BB046010	+BIND T.T S SCREW 3X6			
102	7BB100310H	BB112470	+BIND T.T S SCREW 3X10			
103	7BB200308H	BB105660	+BIND T.T P SCREW 3X8			

- Parts with "\*" are component parts or sub-assemblies of the assembly appearing immediately above them.
- Parts with "⊙" indicate regular maintenance parts.

- Parts with "•" are component parts or sub-assembly with "•" appearing immediately above them.



FIG. 10 Scanner Section 1

2K5

Ref. No.	Part.No.	Alternative.	Description	Quantity		
				120	230	240
1	29812291	29812291	CUSHION, CONTACT GLASS	9	9	9
2	302KK17330	2KK17330	MIRROR B	2	2	2
3	2BC06980	2BC06980	STOPPER 5	6	6	6
4	2BC12190	2BC12190	SPRING, MIRROR HOLDER	6	6	6
5	302KP34260	2KP34260	LABEL GLASS CAUTION	1	1	1
6	2C912150	2C912150	RETAINER WIRE	2	2	2
7	302K546180	2K546180	WIRE DP	1	1	1
8	2C912220	2C912220	MOUNT PI	1	1	1
9	302H017360	2H017360	GROUND ISU COVER	1	1	1
10	2C912310	2C912310	GEAR Z18/39	1	1	1
11	2C912320	2C912320	GEAR Z36	1	1	1
12	302H717250	2H717250	DRUM PULLEY	2	2	2
13	2C912350	2C912350	WIRE SCANNER BLACK	1	1	1
14	2C912360	2C912360	WIRE SCANNER GRAY	1	1	1
15	302H017370	2H017370	GROUND FFC	1	1	1
16	5FNXGP1A73A++02	2DC27180	PT.SENSOR GP1A73AJ00/ BK	1	1	1
17	302H017330	2H017330	HOLDER CCD WIRE	1	1	1
18	302K546100	2K546100	FFC CCD	1	1	1
19	2C912610	2C912610	MOUNT RELEASE SWITCH	1	1	1
20	2C912620	2C912620	GUIDE RELEASE SWITCH	1	1	1
21	2C912640	2C912640	SHAFT RELEASE SWITCH	1	1	1
22	2C912650	2C912650	SPRING RELEASE SWITCH	1	1	1
23	2C912670	2C912670	SHIELD SCANNER FRAME	4	4	4
24	2C927210	2C927210	SENSOR 248NL1	1	1	1
25	2C912710	2C912710	SHIELD SCANNER FRAME B	1	1	1
26	2DC12230	2DC12230	SLIDER SCANNER	8	8	8
27	302K546070	2K546070	WIRE SCANNER PI	1	1	1
28	302C912131	2C912131	ADJUSTING PLATE B	1	1	1
29	302C912291	2C912291	SPRING SCANNER TENSION	2	2	2
30	302C912302	2C912302	MOTOR PLATE SCANNER	1	1	1
31	302FB11160	2FB11160	BEARING MF128ZZ	2	2	2
32	302H044110	2H044110	SENSOR ORIGINAL	1	1	1
33	302GR17400	2GR17400	FILM LAMP	2	2	2
34	302GR17820	2GR17820	PULLEY SCANNER	2	2	2
35	302H000011	2H000011	SCANNER FRAME ASSY	1	1	1
36	302H017050	2H017050	MIRROR FRAME A	1	1	1
37	302H017060	2H017060	MIRROR FRAME B	1	1	1
38	302H017070	2H017070	GUIDE LAMP WIRE A	1	1	1
39	302H017080	2H017080	GUIDE LAMP WIRE B	1	1	1
40	302H017090	2H017090	GUIDE LAMP WIRE C	1	1	1
41	302H017100	2H017100	REFLECTOR SCANNER	1	1	1
42	302H094130	2H094130	PARTS LAMP SCANNER W SP	1	1	1
43	302H017120	2H017120	PULLEY LEFT FRAME	2	2	2
44	302H017130	2H017130	MOUNT PULLEY	2	2	2
45	302H017141	2H017141	MOUNT INVERTER	1	1	1
46	302K517030	2K517030	MIRROR A	1	1	1
47	M2104390	M2104390	EDGING, EDS-0607L(KITAGAWA)	4	4	4
48	302H017170	2H017170	MOUNT DF	2	2	2
49	302H017180	2H017180	PULLEY SCANNER	4	4	4
50	302H017190	2H017190	SHAFT DRIVE	1	1	1

Ref. No.	Part.No.	Alternative.	Description	Quantity		
				120	230	240
51	7YZM610008++H01	YZ037940	ACCESS. SADDLE	4	4	4
52	302H017210	2H017210	GUIDE CCD WIRE	1	1	1
53	5MVX111DN003	2A806250	RING STOPPER /A-49 FEED A4	2	2	2
54	302H017230	2H017230	LID GUIDE WIRE C	1	1	1
55	302H017250	2H017250	TAPE REFLECTOR	1	1	1
56	302H017260	2H017260	BELT SCANNER	1	1	1
57	302H017290	2H017290	SPRING SCANNER A	3	3	3
58	302H017300	2H017300	SPRING SCANNER B	2	2	2
59	302H017310	2H017310	GROUND SCANNER REAR	2	2	2
60	302H017320	2H017320	GROUND SCANNER FRONT	8	8	8
61	302H017600	2H017600	COVER ISU	1	1	1
62	302H094440	2H094440	PARTS MOTOR SCANNER SP	1	1	1
63	302H094280	2H094280	PARTS, LAMP INVERTER, SP	1	1	1
64	302K593020	2K593020	PARTS ISU	1	1	1
65	302H002380	2H002380	SHIELD SCREW	1	1	1
66	302H017660	2H017660	TAPE CCD	1	1	1
67	7YBFZZ65C001H01	YB110990	FERRITE CORE	1	1	1
101	7BB100306H	BB046010	+BIND T.T S SCREW 3X6			
102	C2895950	C2895950	SHIM 6.2-1.0T			
103	7BB606308H	BB105280	+PAN M SCREW WITH SW W 3X8 R			
104	7BB200308H	BB105660	+BIND T.T P SCREW 3X8			
105	7BD105060+++H01	BD018620	E STOP RING E-5			

- Parts with "\*" are component parts or sub-assemblies of the assembly appearing immediately above them.
- Parts with "⊙" indicate regular maintenance parts.

- Parts with "••" are component parts or sub-assembly with "\*" appearing immediately above them.

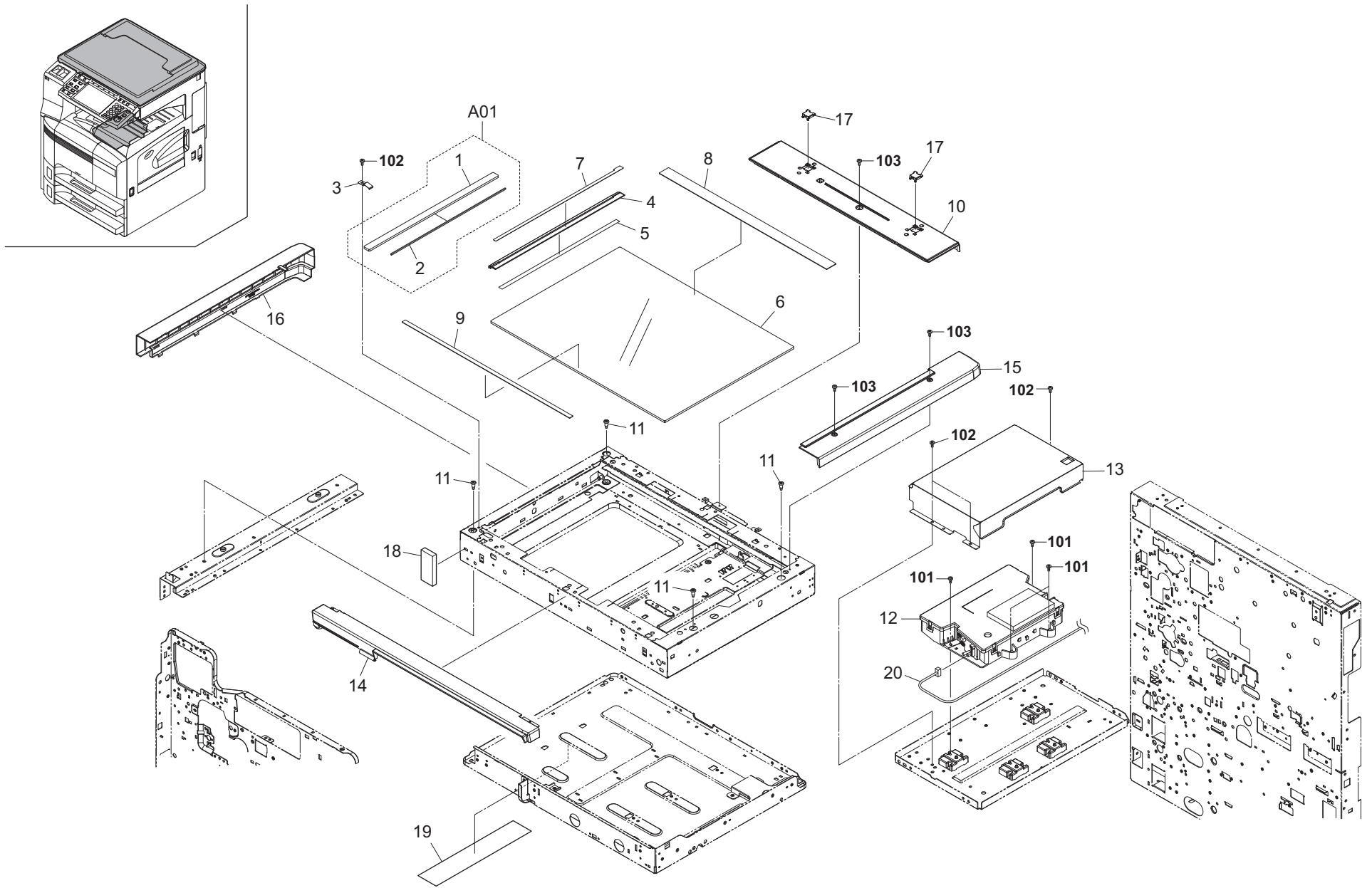


FIG. 11 Scanner Section 2

2K5

	Ref. No.	Part.No.	Alternative.	Description	Quantity		
					120	230	240
⊙	A01	302K594120	2K594120	PARTS CONTACT GLASS DP SP	1	1	1
⊙	1	*2C912280	2C912280	CONTACT GLASS ADF	1	1	1
⊙	2	*2C912700	2C912700	SPONGE ORIGINAL SIZE	1	1	1
	3	2C912420	2C912420	HOLDER GLASS DF	1	1	1
⊙	4	302KK17080	2KK17080	LEFT SIZE INDICATOR	1	1	1
	5	302K517020	2K517020	PLATE SHADING	1	1	1
⊙	6	2C912250	2C912250	CONTACT GLASS	1	1	1
⊙	7	302KK17380	2KK17380	LABEL SIZE(M)		1	1
⊙	7	302KK17390	2KK17390	LABEL SIZE(I)	1		
⊙	8	302KK17100	2KK17100	REAR SIZE INDICATOR(M)		1	1
⊙	8	302KK17400	2KK17400	REAR SIZE INDICATOR(I)	1		
⊙	9	302K517010	2K517010	FRONT SIZE INDICATOR	1	1	1
⊙	10	302K504150	2K504150	COVER ISU REAR	1	1	1
	11	302GR17180	2GR17180	PIN SCANNER RETAINING	4	4	4
⊙	12	302K593010	2K593010	PARTS LK-680	1	1	1
	13	302H019020	2H019020	COVER LSU	1	1	1
⊙	14	302K504120	2K504120	COVER ISU FRONT	1	1	1
⊙	15	302K504140	2K504140	COVER ISU RIGHT	1	1	1
⊙	16	302K504130	2K504130	COVER ISU LEFT	1	1	1
⊙	17	302H004550	2H004550	CAP MOUNT DP	2	2	2
	18	302H033210	2H033210	SPONGE SEAL A	1	1	1
	19	302H033240	2H033240	SHEET FRAME LOW	1	1	1
	20	302K546090	2K546090	WIRE LSU	1	1	1

	Ref. No.	Part.No.	Alternative.	Description	Quantity		
					120	230	240
	101	7BB200412H	BB105710	+BIND T.T P SCREW 4X12			
	102	7BB100306H	BB046010	+BIND T.T S SCREW 3X6			
	103	7BB782308H	BB111300	+TP-FLAT T.T S SCREW 3X8 SR(BLACK)			

- Parts with "\*" are component parts or sub-assemblies of the assembly appearing immediately above them.
- Parts with "⊙" indicate regular maintenance parts.

- Parts with "••" are component parts or sub-assembly with "•" appearing immediately above them.

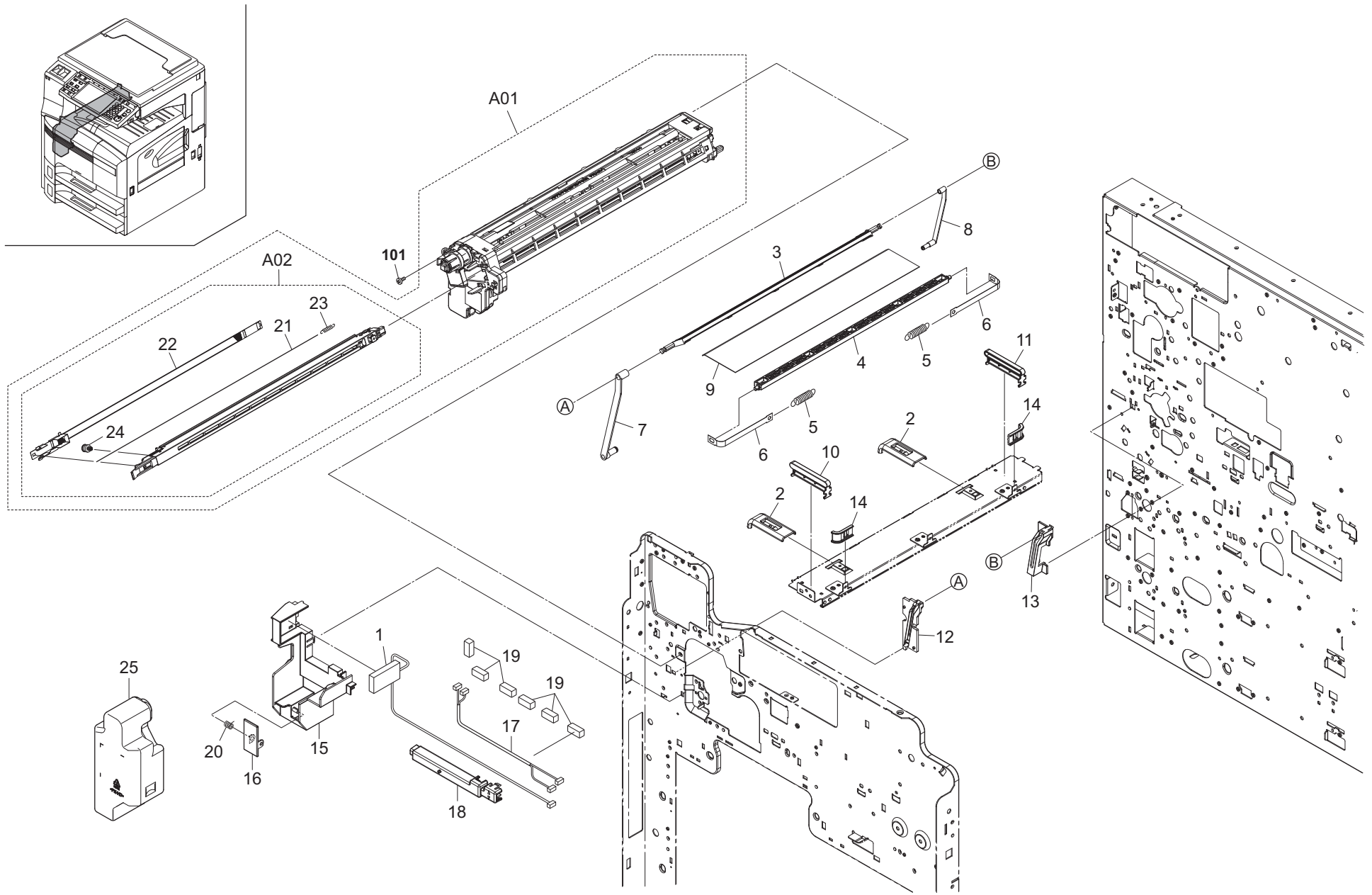




FIG. 12 Image Forming Section

2K5

Ref. No.	Part.No.	Alternative.	Description	Quantity			
				120	230	240	
⊙	1	2C901170	2C901170	DISPOSAL SENSOR ASSY	1	1	1
	2	302H012010	2H012010	GUIDE DRUM SHUTTER	2	2	2
	3	302H012020	2H012020	LEFT HOLDER SHEET	1	1	1
	4	302H012030	2H012030	RIGHT HOLDER SHEET	1	1	1
	5	302H012040	2H012040	SPRING DRUM SHUTTER	2	2	2
	6	302H012050	2H012050	STRAP DRUM SHUTTER	2	2	2
	7	302H012060	2H012060	FRONT ARM DRUM SHUTTER	1	1	1
	8	302H012070	2H012070	REAR ARM DRUM SHUTTER	1	1	1
	9	302H012080	2H012080	SHEET DRUM SHUTTER	1	1	1
	10	302H012090	2H012090	FRONT RAIL DRUM SHUTTER	1	1	1
	11	302H012100	2H012100	REAR RAIL DRUM SHUTTER	1	1	1
	12	302H012111	2H012111	FRONT RAIL LINK ARM	1	1	1
	13	302H012120	2H012120	REAR RAIL LINK ARM	1	1	1
	14	302H012130	2H012130	GUIDE STRAP	2	2	2
	15	302H012170	2H012170	HOLDER SENSOR	1	1	1
	16	302H012180	2H012180	DETECTION PLATE	1	1	1
	17	302K546230	2K546230	WIRE FRONT JUNCTION	1	1	1
	18	302H004710	2H004710	GUIDE WIRE FRONT	1	1	1
	19	302H012330	2H012330	SEAL WIRE A	6	6	6
	20	2C918360	2C918360	SPRING DETECTION	1	1	1
⊙	A01	302H093012	2H093012	PARTS DK-670	1	1	1
⊙	A02	*302H093312	2H093312	PARTS MC-670	1	1	1
⊙	21	**2A068240	2A068240	WIRE,MAIN CHARGER	1	1	1
	22	**2FT10040	2FT10040	GRID	1	1	1
	23	**5MMW141LX002	2BZ02300	SPRING WIRE /49585J0058 A4	1	1	1
	24	**5MVT263NN001	33910230	PIN CHARGER /A-49 CHARGER A4	1	1	1
⊙	25	302H094540	2H094540	PARTS DISPOSAL TANK ASSY	1	1	1

Ref. No.	Part.No.	Alternative.	Description	Quantity		
				120	230	240
101	7BB702410H	BB112500	+TP-FLAT T.T S SCREW 4X10 SR			

- Parts with "\*" are component parts or sub-assemblies of the assembly appearing immediately above them.
- Parts with "⊙" indicate regular maintenance parts.

- Parts with "\*•" are component parts or sub-assembly with "\*" appearing immediately above them.

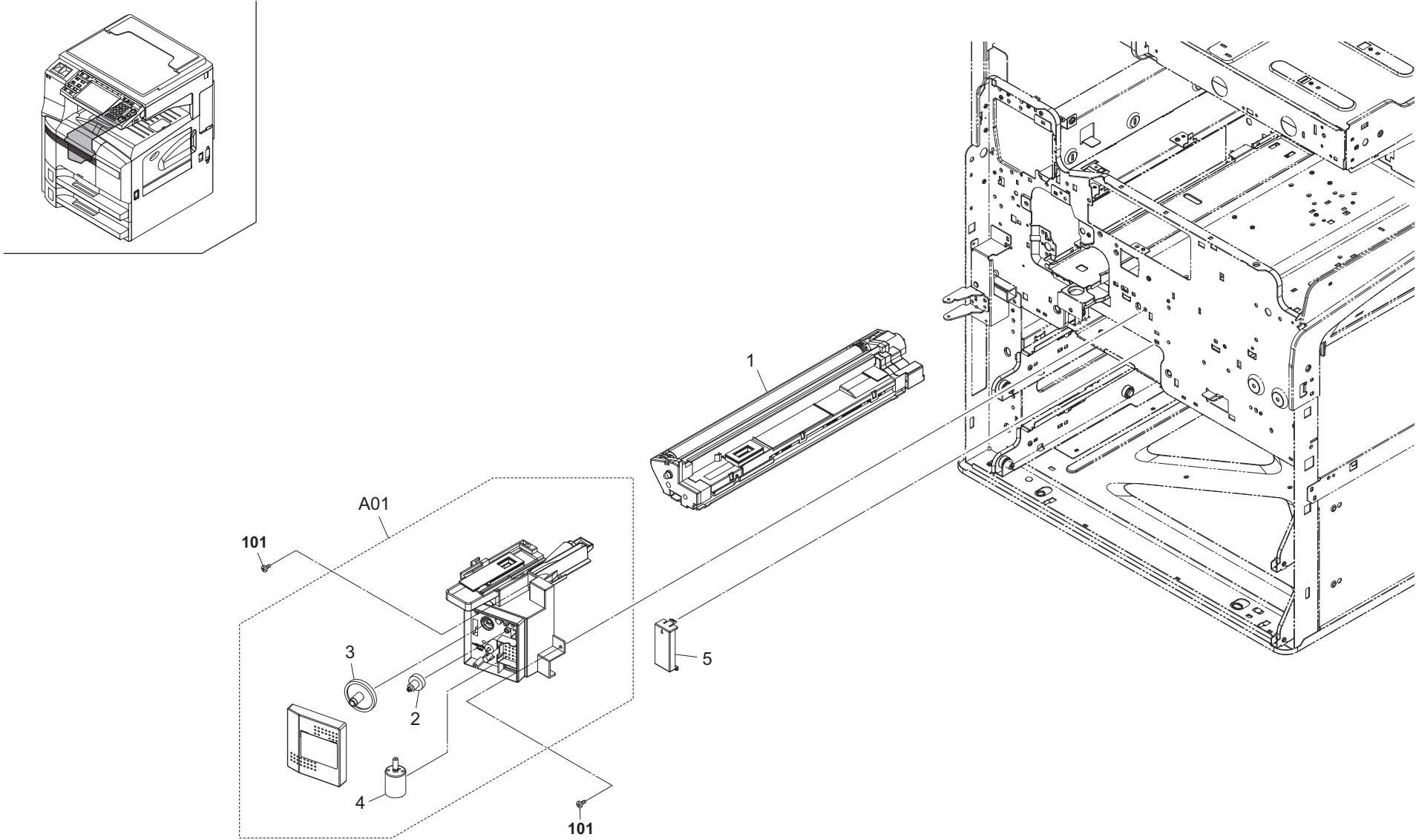


FIG. 13 Developing Section

2K5

	Ref. No.	Part.No.	Alternative.	Description	Quantity		
					120	230	240
⊙	1	302FT93053	2FT93053	PARTS,DV-420,SP	1	1	1
⊙	A01	302H093210	2H093210	PARTS MIDDLE HOPPER UNIT	1	1	1
⊙	2	•302H014070	2H014070	GEAR HOPPER MOTOR	1	1	1
⊙	3	•302H014080	2H014080	GEAR Z50S HOPPER	1	1	1
⊙	4	•302H094320	2H094320	PARTS DC MOTOR SP	1	1	1
	5	302H014190	2H014190	COVER WIRE HOPPER	1	1	1

	Ref. No.	Part.No.	Alternative.	Description	Quantity		
					120	230	240
	101	7BB102308H	BB046210	TP TAP-TITE SCREW M3X8			

- Parts with "•" are component parts or sub-assemblies of the assembly appearing immediately above them.
- Parts with "⊙" indicate regular maintenance parts.

- Parts with "••" are component parts or sub-assembly with "•" appearing immediately above them.

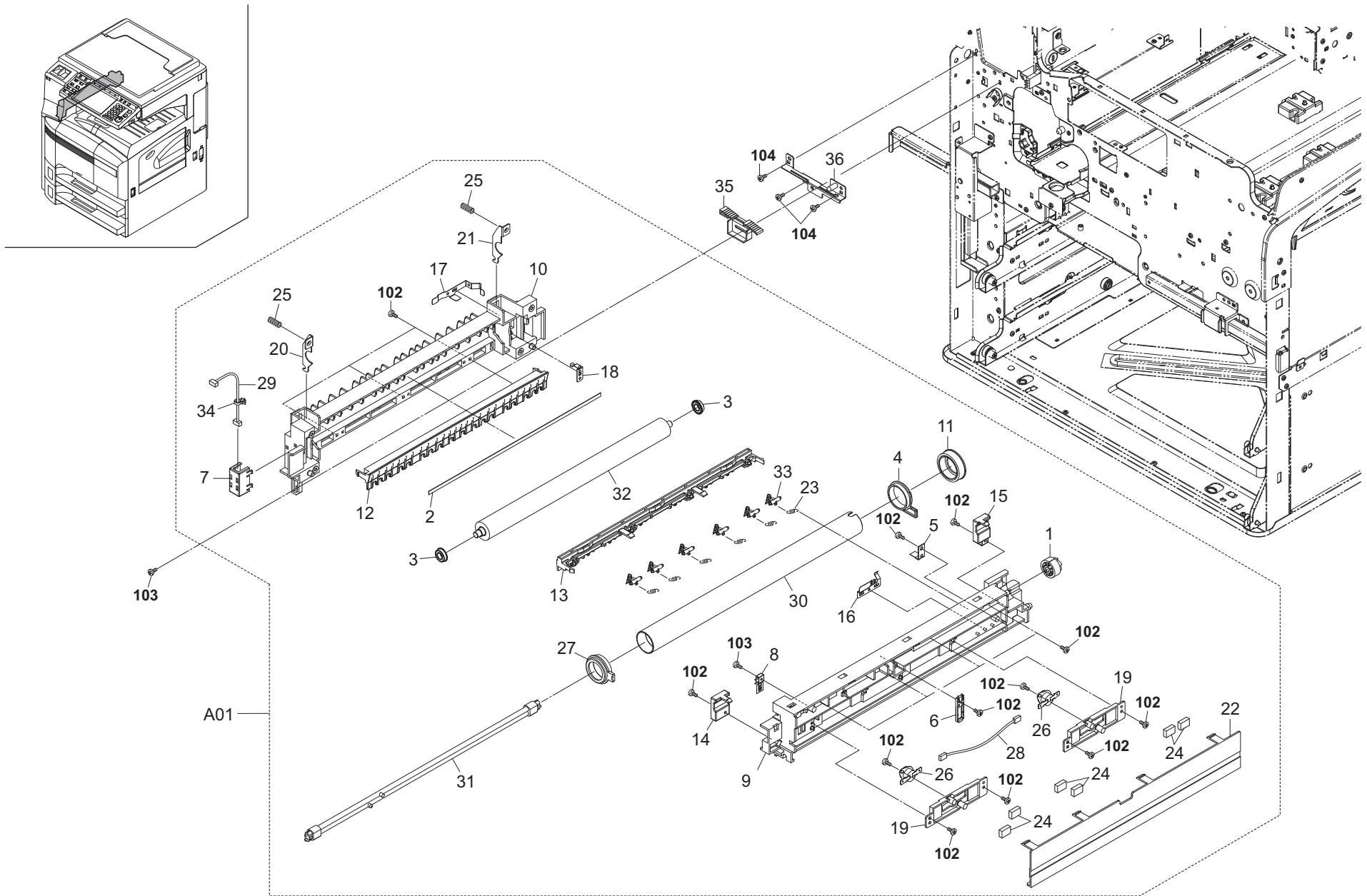


FIG. 14 Fuser Section

2K5

	Ref. No.	Part.No.	Alternative.	Description	Quantity		
					120	230	240
⊙	A01	302K593070	2K593070	PARTS FK-671(E)		1	1
⊙	A01	302K593060	2K593060	PARTS FK-671(U)	1		
⊙	1	*2C920180	2C920180	GEAR FUSER Z28	1	1	1
⊙	2	*2C920320	2C920320	SEAL DISCHAGER	1	1	1
⊙	3	*2C920330	2C920330	BEARING PRESSURE	2	2	2
⊙	4	*302F725070	2F725070	BUSH HEAT R	1	1	1
⊙	5	*302F725430	2F725430	STATIC ELIMINATOR HEAT ROLLER	1	1	1
⊙	6	*302F925430	2F925430	THERMISTOR ASSY	1	1	1
⊙	7	*302FT20101	2FT20101	COVER PCB FIXING	1	1	1
⊙	8	*302GJ25560	2GJ25560	THERMISTOR FUSER	1	1	1
⊙	9	*302H025012	2H025012	RIGHT FRAME FUSER	1	1	1
⊙	10	*302H025022	2H025022	LEFT FRAME FUSER	1	1	1
⊙	11	*302H025030	2H025030	GEAR FUSER Z46	1	1	1
⊙	12	*302H025040	2H025040	FRONT GUIDE FUSER	1	1	1
⊙	13	*302H025050	2H025050	REAR GUIDE FUSER	1	1	1
⊙	14	*302H025060	2H025060	COVER HEATER F	1	1	1
⊙	15	*302H025070	2H025070	COVER HEATER R	1	1	1
⊙	16	*302H025090	2H025090	GROUND PLATE HEAT R	1	1	1
⊙	17	*302H025150	2H025150	GROUND PLATE PRESS A	1	1	1
⊙	18	*302H025160	2H025160	GROUND PLATE PRESS B	1	1	1
⊙	19	*302H025180	2H025180	PLATE HOLDER	2	2	2
⊙	20	*302H025190	2H025190	FRONT PRESSING PLATE	1	1	1
⊙	21	*302H025200	2H025200	REAR PRESSING PLATE	1	1	1
⊙	22	*302H025250	2H025250	COVER FUSER UNIT	1	1	1
⊙	23	*302H025290	2H025290	SPRING FUSER	6	6	6
⊙	24	*302H025300	2H025300	SPONGE FUSER TL	6	6	6
⊙	25	*302H025310	2H025310	SPRING PRESSURE	2	2	2
⊙	26	*302H025320	2H025320	THERMOSTAT 190 FUSER	2	2	2
⊙	27	*302H025330	2H025330	BUSH HEAT F	1	1	1
⊙	28	*302H046420	2H046420	WIRE FUSER PRIMARY	1	1	1
⊙	29	*302H046460	2H046460	WIRE FUSER PWB	1	1	1
⊙	30	*302H094160	2H094160	PARTS ROLLER HEAT SP	1	1	1
⊙	31	*302H094180	2H094180	PARTS HEATER FUSER 120 SP	1		
⊙	31	*302H094190	2H094190	PARTS HEATER FUSER 230 SP		1	1
⊙	32	*302H094451	2H094451	PARTS ROLLER PRESS SP	1	1	1
⊙	33	*5MVX222XN002	2A820530	SEPARATOR /40301P0028 A4	6	6	6
⊙	34	*7YZM420003+++H01	YZ052580	ACCESS.BAND	1	1	1
⊙	35	302H025210	2H025210	SPACER FUSER	1	1	1
⊙	36	302H025220	2H025220	PLATE FUSER SPACER	1	1	1

	Ref. No.	Part.No.	Alternative.	Description	Quantity		
					120	230	240
	101	7BB100306H	BB046010	+BIND T.T S SCREW 3X6			
	102	7BB200308H	BB105660	+BIND T.T P SCREW 3X8			
	103	7BB200310H	BB105670	+BIND T.T P SCREW 3X10			
	104	7BB780308H	BB111200	+BIND T.T S SCREW 3X8 SR(BLACK)			

- Parts with "\*" are component parts or sub-assemblies of the assembly appearing immediately above them.
- Parts with "⊙" indicate regular maintenance parts.

- Parts with "••" are component parts or sub-assembly with "•" appearing immediately above them.

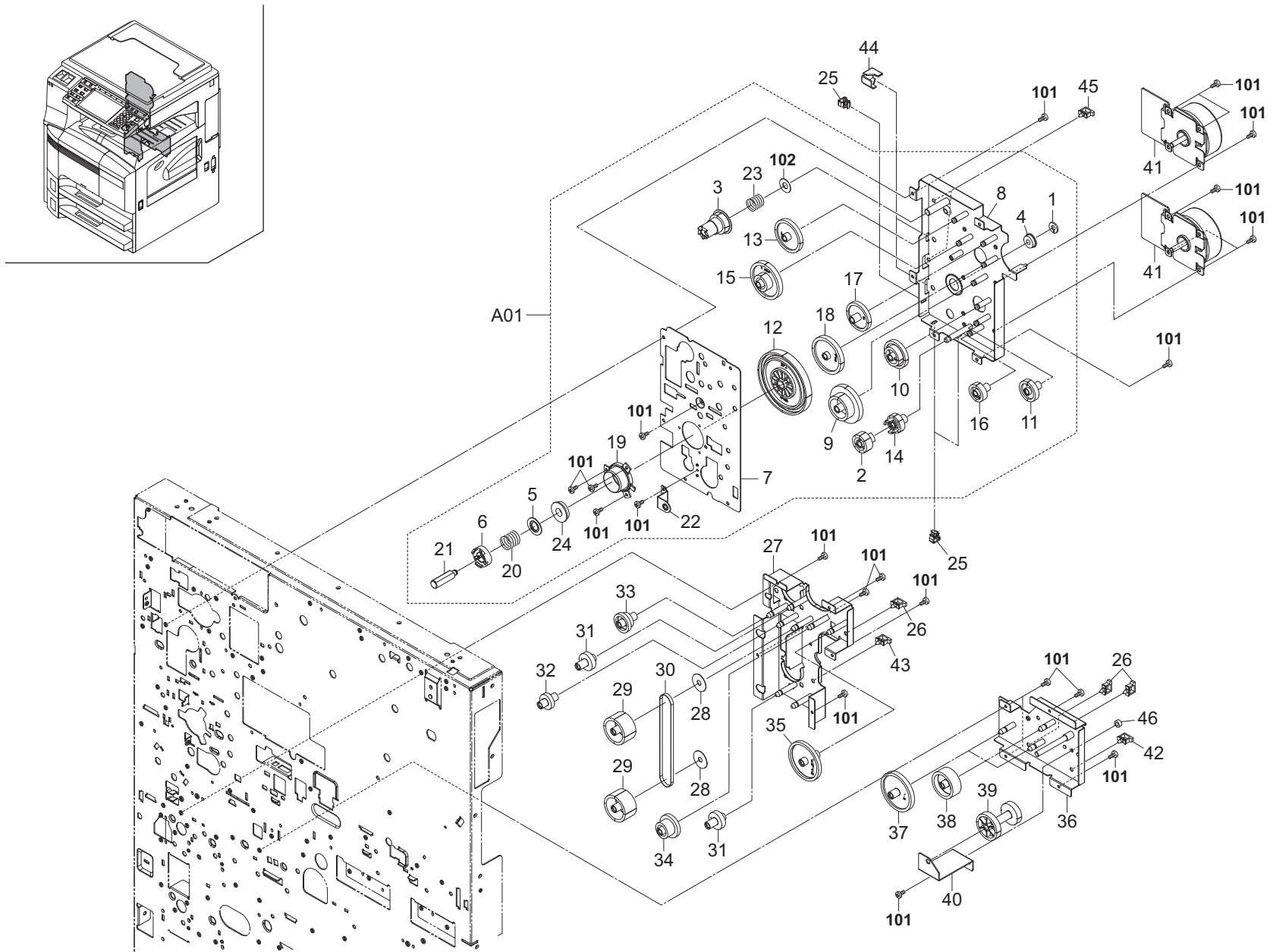


FIG. 15 Drive Section 1

2K5

	Ref. No.	Part.No.	Alternative.	Description	Quantity		
					120	230	240
⊙	A01	302H093150	2H093150	PARTS DR-670	1	1	1
	1	*2C904550	2C904550	CUT WASHER 5	1	1	1
⊙	2	*2C922150	2C922150	GEAR 26 DEV	1	1	1
⊙	3	*2C922230	2C922230	GEAR 29 FIX JOINT	1	1	1
⊙	4	*2FT22160	2FT22160	BEARING 6-15-17	1	1	1
	5	*302FT22200	2FT22200	SPACER COUPLING	1	1	1
	6	*302FT22250	2FT22250	COUPLING DRUM 2	1	1	1
	7	*302H031010	2H031010	BASE MAIN DRIVE	1	1	1
	8	*302H031021	2H031021	MOUNT DRIVE DRUM	1	1	1
⊙	9	*302H031090	2H031090	GEAR Z90H-Z36H	1	1	1
⊙	10	*302H031110	2H031110	GEAR Z40H-Z27H	1	1	1
⊙	11	*302H031130	2H031130	GEAR Z30H	1	1	1
⊙	12	*302H031140	2H031140	GEAR Z152H	1	1	1
⊙	13	*302H031160	2H031160	GEAR Z50S	1	1	1
⊙	14	*302H031170	2H031170	GEAR Z25H DEV	1	1	1
⊙	15	*302H031180	2H031180	GEAR Z89H-Z24S	1	1	1
⊙	16	*302H031190	2H031190	GEAR Z25H	1	1	1
⊙	17	*302H031230	2H031230	GEAR Z43S	1	1	1
⊙	18	*302H031240	2H031240	GEAR Z55H-Z30S	1	1	1
	19	*302H031320	2H031320	POSITIONING BUSH DRUM	1	1	1
	20	*302H031330	2H031330	SPRING DRUM COUPLING	1	1	1
	21	*302H031340	2H031340	SHAFT COUPLING	1	1	1
	22	*302H031370	2H031370	GUIDE SHAFT DEV	1	1	1
	23	*302H031410	2H031410	SPRING FUSER JOINT	1	1	1
⊙	24	*G3169000	G3169000	BEARING 6900ZZNR	1	1	1
	25	7YZM610009++H01	YZ042980	ACCESS.SADDLE	3	3	3
	26	7YZM610005++H01	YZ012220	ACCESS SADDLE	3	3	3
	27	302H006130	2H006130	PLATE FEED DRIVE	1	1	1
⊙	28	2BL22580	2BL22580	COLLAR BELT	2	2	2
⊙	29	302H006320	2H006320	GEAR Z41S-P30 FEED	2	2	2
⊙	30	2BL22350	2BL22350	BELT DRIVE FEED	1	1	1
⊙	31	302H006230	2H006230	GEAR Z25S FEED CLUTCH	2	2	2
⊙	32	302H006150	2H006150	GEAR Z22S FEED	1	1	1
⊙	33	302H006160	2H006160	GEAR Z21S-Z28S FEED	1	1	1
⊙	34	302H006170	2H006170	GEAR Z34S-Z23S FEED	1	1	1
⊙	35	302H006310	2H006310	GEAR Z60S-Z35S FEED	1	1	1
	36	302H006260	2H006260	PLATE MPF DRIVE A	1	1	1
⊙	37	302H006250	2H006250	GEAR Z60S FEED	2	2	2
⊙	38	302H006270	2H006270	GEAR Z41S FEED	1	1	1
⊙	39	2BL22550	2BL22550	GEAR Z40S-Z32S	1	1	1
	40	302H006280	2H006280	PLATE MPF DRIVE B	1	1	1
⊙	41	302K594150	2K594150	PARTS MOTOR MAIN SP	2	2	2
	42	7YZM610001++H01	YZ010230	ACCESS SADDLE	1	1	1
	43	7YZM610003++H01	YZ010250	ACCESS SADDLE	1	1	1
	44	302H031360	2H031360	HOLDER MOTOR	2	2	2
	45	M2109150	M2109150	WIRE SADDLE,HL-28	2	2	2
	46	302H002380	2H002380	SHIELD SCREW	1	1	1

	Ref. No.	Part.No.	Alternative.	Description	Quantity		
					120	230	240
	101	7BB100306H	BB046010	+BIND T.T S SCREW 3X6			
	102	C2895120	C2895120	SHIM 8.2-0.25T			

- Parts with "\*" are component parts or sub-assemblies of the assembly appearing immediately above them.
- Parts with "⊙" indicate regular maintenance parts.

- Parts with "••" are component parts or sub-assembly with "•" appearing immediately above them.

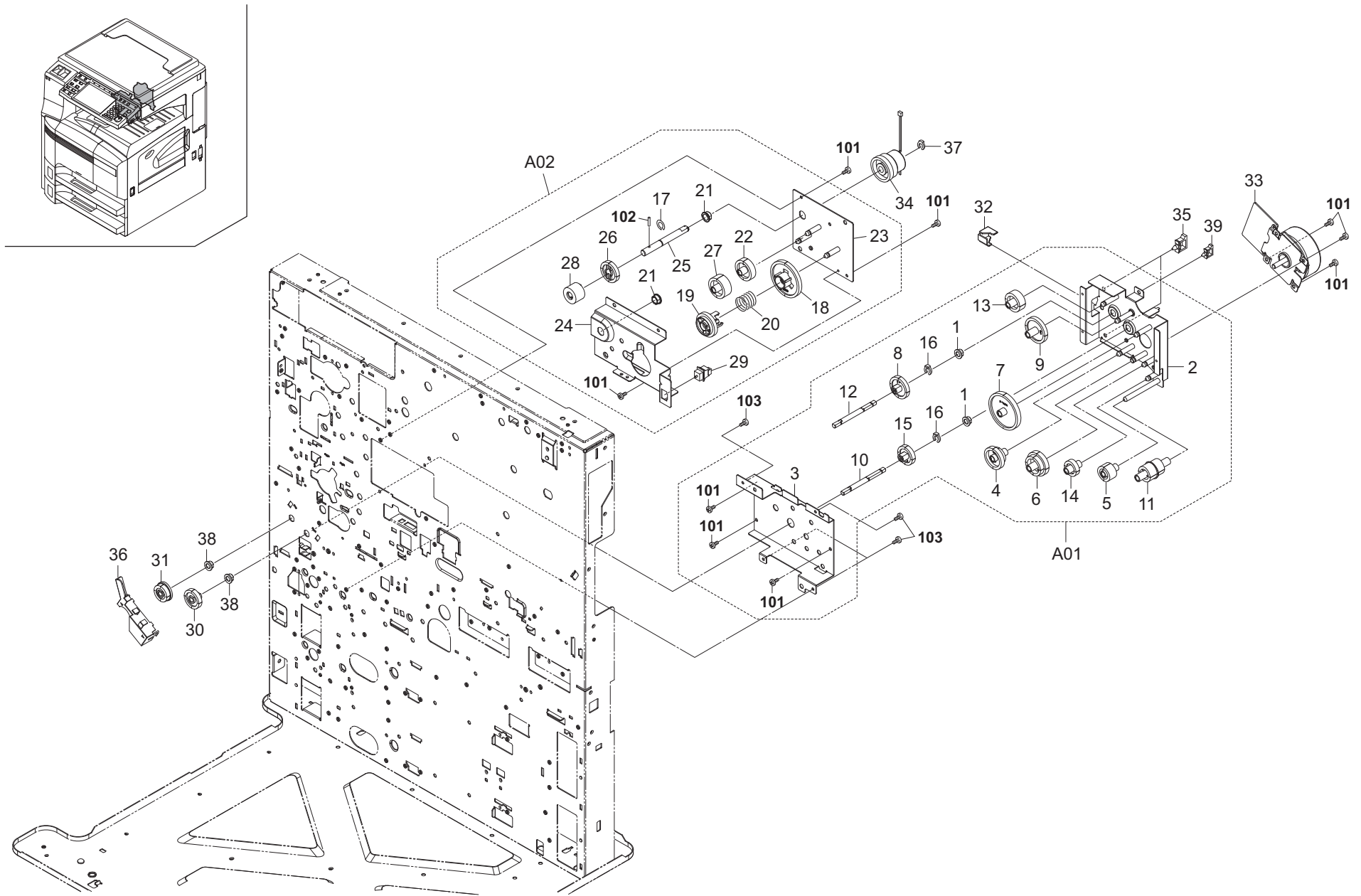




FIG. 16 Drive Section 2

2K5

	Ref. No.	Part.No.	Alternative.	Description	Quantity		
					120	230	240
⊙	A01	302H093160	2H093160	PARTS FEED DRIVE UNIT	1	1	1
	1	*302H024370	2H024370	BUSH 6 EW	2	2	2
	2	*302H031030	2H031030	MOUNT FEED DRIVE	1	1	1
	3	*302H031041	2H031041	BASE FEED DRIVE	1	1	1
⊙	4	*302H031050	2H031050	GEAR Z24H-Z35S FEED	1	1	1
⊙	5	*302H031060	2H031060	GEAR Z23H FEED B	1	1	1
⊙	6	*302H031080	2H031080	GEAR Z60H-Z30H FEED	1	1	1
⊙	7	*302H031100	2H031100	GEAR Z95H-Z41S FEED	1	1	1
⊙	8	*302H031120	2H031120	GEAR Z35S DU	1	1	1
⊙	9	*302H031150	2H031150	GEAR Z41S FEED MAIN	1	1	1
	10	*302H031200	2H031200	SHAFT FEED	1	1	1
⊙	11	*302H031210	2H031210	GEAR Z22H-Z24S FEED	1	1	1
	12	*302H031220	2H031220	SHAFT DU	1	1	1
⊙	13	*302H031250	2H031250	GEAR Z30S FEED	1	1	1
⊙	14	*302H031270	2H031270	GEAR Z23H FEED	1	1	1
⊙	15	*302H031280	2H031280	GEAR Z30S DPX	1	1	1
	16	*5MVX1111DN003	2A806250	RING STOPPER /A-49 FEED A4	2	2	2
⊙	A02	302H093170	2H093170	PARTS CONT DRIVE ASSY	1	1	1
	17	*2BL21510	2BL21510	CUT WASHER 6	1	1	1
⊙	18	*2C922080	2C922080	GEAR 60	1	1	1
	19	*2C922170	2C922170	COUPLING CONT P	1	1	1
	20	*2C922260	2C922260	SPRING CONT P	1	1	1
⊙	21	*302H024360	2H024360	BUSH 8 EW	2	2	2
⊙	22	*302H031260	2H031260	GEAR Z33S CONT	1	1	1
	23	*302H031290	2H031290	BASE CONT DRIVE	1	1	1
	24	*302H031300	2H031300	MOUNT CONT DRIVE	1	1	1
	25	*302H031350	2H031350	SHAFT CONT	1	1	1
⊙	26	*302H031380	2H031380	GEAR Z33S CONT C	1	1	1
⊙	27	*302H031390	2H031390	GEAR Z33S CONT D	1	1	1
⊙	28	*302H031400	2H031400	TORQUE LIMITER 4000	1	1	1
⊙	29	*7SP01000001+H01	SP044290	SW,PUSH	1	1	1
⊙	30	302H031280	2H031280	GEAR Z30S DPX	1	1	1
⊙	31	302H031310	2H031310	GEAR Z26S DU	1	1	1
	32	302H031360	2H031360	HOLDER MOTOR	1	1	1
⊙	33	302K594150	2K594150	PARTS MOTOR MAIN SP	1	1	1
⊙	34	302H094221	2H094221	PARTS CLUTCH REGISTRATION SP	1	1	1
	35	7YZM610003+++H01	YZ010250	ACCESS SADDLE	2	2	2
	36	302H024410	2H024410	COVER DRIVE MID FEED	1	1	1
	37	2BC06980	2BC06980	STOPPER 5	1	1	1
	38	302H024370	2H024370	BUSH 6 EW	2	2	2
	39	7YZM610007+++H01	YZ023340	ACCESS.SADDLE	1	1	1

	Ref. No.	Part.No.	Alternative.	Description	Quantity		
					120	230	240
	101	7BB100306H	BB046010	+BIND T.T S SCREW 3X6			
	102	5MBP2010WXSP	E0020100	SPRING PIN / M2 X 10 S-BLK			
	103	7BB780308H	BB111200	+BIND T.T S SCREW 3X8 SR(BLACK)			

- Parts with "\*" are component parts or sub-assemblies of the assembly appearing immediately above them.
- Parts with "⊙" indicate regular maintenance parts.

- Parts with "••" are component parts or sub-assembly with "•" appearing immediately above them.

FIG. 17 Colling Section

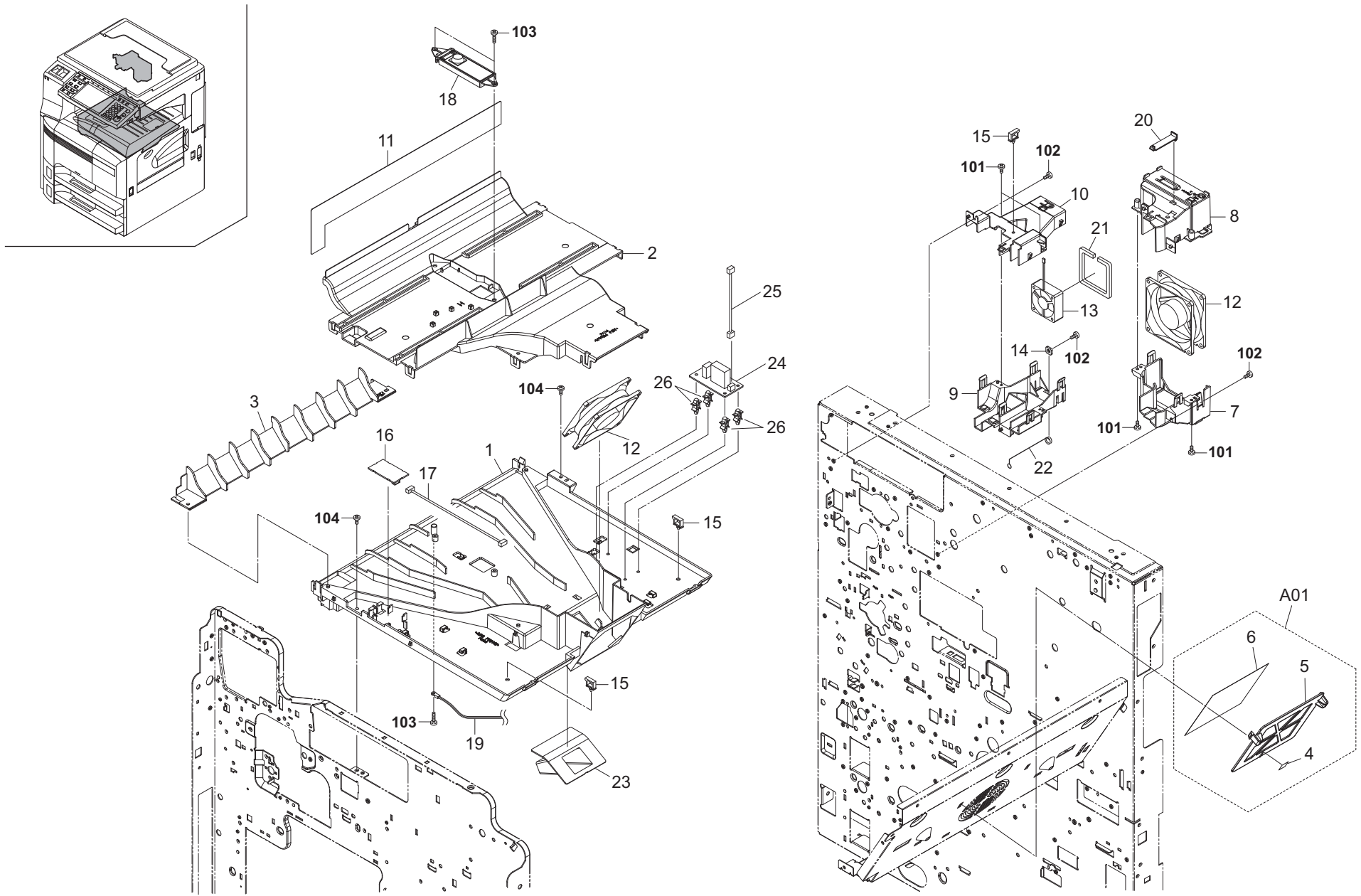


FIG. 17 Colling Section

2K5

Ref. No.	Part.No.	Alternative.	Description	Quantity		
				120	230	240
1	302K533010	2K533010	DUCT BASE	1	1	1
2	302K533020	2K533020	DUCT LID M		1	
2	302H033100	2H033100	DUCT LID G	1		
2	302H033120	2H033120	DUCT LID J			1
3	302H033031	2H033031	DUCT PLATE	1	1	1
⊙ A01	302H094401	2H094401	PARTS HOLDER FILTER A SP	1	1	1
4	*302GR34290	2GR34290	LABEL F1	1	1	1
⊙ 5	*302H033050	2H033050	HOLDER FILTER A	1	1	1
6	*302H033060	2H033060	FILTER DUST A	1	1	1
7	302H033080	2H033080	DUCT REAR LOWER	1	1	1
8	302H033090	2H033090	DUCT REAR UPPER	1	1	1
9	302H033130	2H033130	DUCT REAR B LOWER	1	1	1
10	302H033140	2H033140	DUCT REAR B UPPER	1	1	1
11	302H033160	2H033160	SHEET DUCT	1	1	1
⊙ 12	302H094460	2H094460	PARTS FAN MAIN DUCT SP	2	2	2
⊙ 13	302H044120	2H044120	FAN COOLING 40-15	1	1	1
14	5MMS111SL002	2BY20050	NUT FUSER A /FS-1800/3800 A4	1	1	1
15	7YZM610001++H01	YZ010230	ACCESS SADDLE	3	3	3
⊙ 16	302KP94200	2KP94200	PARTS PWB RFID ASSY SP	1	1	1
17	302K546010	2K546010	WIRE RFID	1	1	1
⊙ 18	302H001170	2H001170	CONT SENSOR ASS'Y	1	1	1
⊙ 19	302H094470	2H094470	PARTS THERMISTOR SP	1	1	1
20	302K539140	2K539140	LID DUCT	1	1	1
21	302H033190	2H033190	SPONGE REAR FAN	1	1	1
22	302H039330	2H039330	GROUND REAR COVER	1	1	1
23	302H033040	2H033040	DUCT BOTTOM	1	1	1
⊙ 24	302KS94090	2KS94090	PARTS PWB RELAY SP	1	1	1
25	302K546400	2K546400	WIRE RELAY REM	1	1	1
26	7YZM510015++H01	YZ115900	ACCESS.SPACER	4	4	4

Ref. No.	Part.No.	Alternative.	Description	Quantity		
				120	230	240
101	7BB200308H	BB105660	+BIND T.T P SCREW 3X8			
102	7BB102308H	BB046210	TP TAP-TITE SCREW M3X8			
103	7BB200312H	B1A63120	+BIND T.T P SCREW 3X12			
104	7BB100306H	BB046010	+BIND T.T S SCREW 3X6			

- Parts with "\*" are component parts or sub-assemblies of the assembly appearing immediately above them.
- Parts with "⊙" indicate regular maintenance parts.

- Parts with "••" are component parts or sub-assembly with "•" appearing immediately above them.

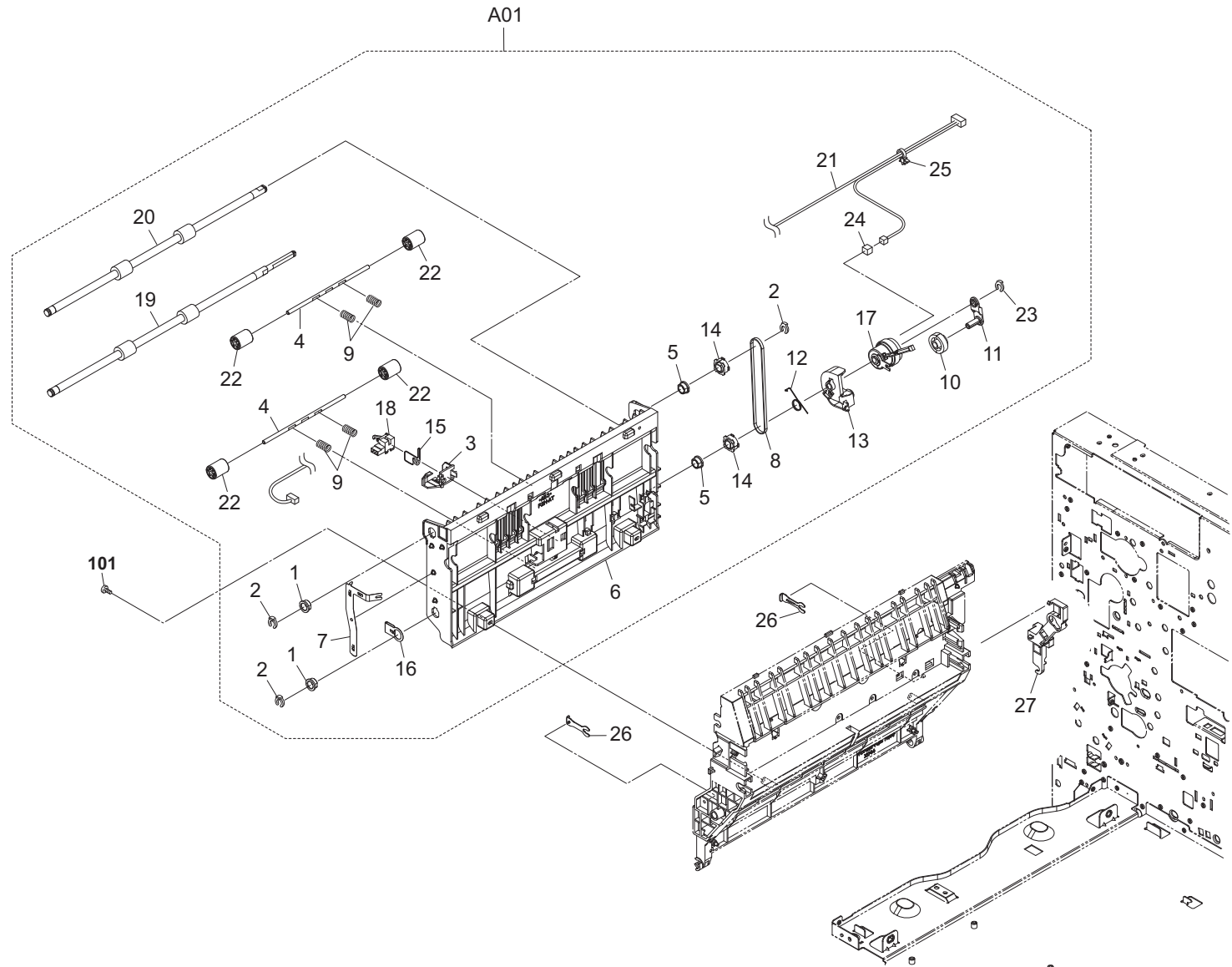
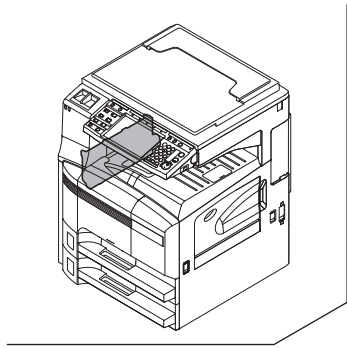


FIG. 18 Duplex Section

2K5

Ref. No.	Part.No.	Alternative.	Description	Quantity		
				120	230	240
⊙ A01	302H093200	2H093200	PARTS DUPLEX UNIT	1	1	1
⊙ 1	*28107310	49028101	BUSH 8	2	2	2
2	*2BC06980	2BC06980	STOPPER 5	3	3	3
3	*302H006300	2H006300	HOLDER FEED SWITCH	1	1	1
4	*302H024090	2H024090	SHAFT MID FEED	2	2	2
5	*302H024360	2H024360	BUSH 8 EW	2	2	2
6	*302H029011	2H029011	FRAME DU	1	1	1
7	*302H029020	2H029020	GROUND PLATE DU	1	1	1
⊙ 8	*302H029030	2H029030	BELT DU 254	1	1	1
9	*302H029060	2H029060	SPRING DU FEED	4	4	4
⊙ 10	*302H029070	2H029070	GEAR Z25S	1	1	1
11	*302H029080	2H029080	PLATE DU DRIVE	1	1	1
12	*302H029090	2H029090	SPRING DU DRIVE	1	1	1
13	*302H029100	2H029100	JUNCTION PLATE DU	1	1	1
⊙ 14	*302H029110	2H029110	PULLEY 26 DU	2	2	2
15	*302H029130	2H029130	GROUND DUPLEX PI	1	1	1
16	*302H029140	2H029140	PLATE CONTACT CONVEYING	1	1	1
⊙ 17	*302H094210	2H094210	PARTS CLUTCH FEED SP	1	1	1
⊙ 18	*302H094230	2H094230	PARTS SWITCH CONVEYING SP	1	1	1
⊙ 19	*302H094380	2H094380	PARTS DUPLEX A SP	1	1	1
⊙ 20	*302H094390	2H094390	PARTS DUPLEX B SP	1	1	1
21	*302H046370	2H046370	WIRE DU	1	1	1
⊙ 22	*3HY07120	3HY07120	PULLEY 15 DUPLEX	4	4	4
23	*5MVX111DN003	2A806250	RING STOPPER /A-49 FEED A4	1	1	1
24	*7YCC02B1001+H01	YC014610	CONNECTOR	1	1	1
25	*7YZM420003++H01	YZ052580	ACCESS.BAND	1	1	1
26	302H024510	2H024510	STOPPER SHUTTER	2	2	2
27	302H024500	2H024500	COVER DU WIRE	1	1	1

Ref. No.	Part.No.	Alternative.	Description	Quantity		
				120	230	240
101	7BB200308H	BB105660	+BIND T.T P SCREW 3X8			

- Parts with "\*" are component parts or sub-assemblies of the assembly appearing immediately above them.
- Parts with "⊙" indicate regular maintenance parts.

- Parts with "••" are component parts or sub-assembly with "•" appearing immediately above them.

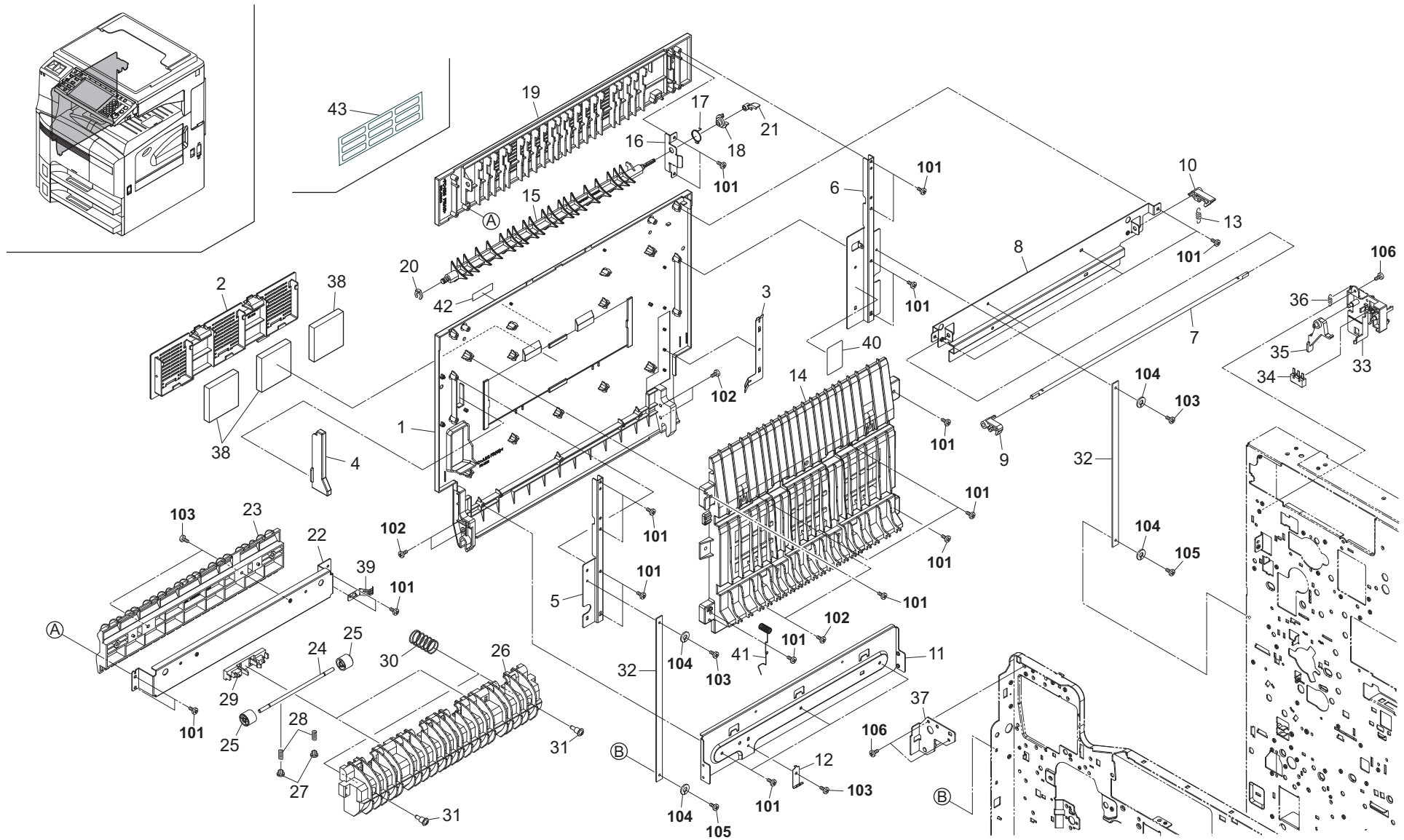


FIG. 19 Exit Section 1

2K5

	Ref. No.	Part.No.	Alternative.	Description	Quantity		
					120	230	240
⊙	1	302H004470	2H004470	LEFT COVER MIDDLE	1	1	1
	2	302H004620	2H004620	COVER OZONE FILTER	1	1	1
	3	302H004640	2H004640	PLATE EARTH LEFT COVER	1	1	1
	4	302H004400	2H004400	JUNCTION PLATE HOOK	1	1	1
	5	302H004490	2H004490	MOUNT STRAP F	1	1	1
	6	302H004500	2H004500	MOUNT STRAP R	1	1	1
	7	302H004410	2H004410	SHAFT HOOK	1	1	1
	8	302H004510	2H004510	PLATE LEFT COVER MIDDLE	1	1	1
	9	302H004380	2H004380	HOOK LEFT COVER F	1	1	1
	10	302H004390	2H004390	HOOK LEFT COVER R	1	1	1
⊙	11	302H004630	2H004630	PLATE LEFT COVER LOW	1	1	1
	12	302H004670	2H004670	PLATE EARTH LEFT COVER B	1	1	1
	13	2C904350	2C904350	SPRING LEFT HOOK	1	1	1
	14	302H004421	2H004421	GUIDE LEFT COVER	1	1	1
	15	302H028310	2H028310	GUIDE SEPARATE FEED	1	1	1
	16	302H028560	2H028560	REAR PLATE SEP	1	1	1
	17	302H028370	2H028370	SPRING SEPARATE FEED	1	1	1
	18	302H028360	2H028360	ARM SEPARATE FEED B	1	1	1
⊙	19	302H004610	2H004610	COVER LEFT SEPARATE	1	1	1
	20	5MVX111DN003	2A806250	RING STOPPER /A-49 FEED A4	1	1	1
	21	302H028350	2H028350	ARM SEPARATE FEED A	1	1	1
	22	302H028380	2H028380	PLATE EXIT FEED	1	1	1
	23	302H028340	2H028340	GUIDE DU	1	1	1
	24	302H028400	2H028400	SHAFT SEP FEED	2	2	2
	25	302H028320	2H028320	PULLEY SEP FEED	4	4	4
	26	302H028331	2H028331	GUIDE EXIT LOWER	1	1	1
	27	2FM04150	5MVM163DN005	CAP SPRING /B-11 ENCLOSURE A4	4	4	4
	28	302H028410	2H028410	SPRING EXIT FEED	4	4	4
	29	302H028510	2H028510	HOLDER SEP FEED	2	2	2
	30	302H028390	2H028390	SPRING GUIDE DU	2	2	2
	31	2C921400	2C921400	SHOULDER SCREW EXIT	2	2	2
	32	302H004340	2H004340	STRAP LEFT COVER	2	2	2
	33	302H004451	2H004451	MOUNT LEFT INTERLOCK SW	1	1	1
⊙	34	7SM010202+++H01	SM044270	SW.MICRO	1	1	1
	35	302H004461	2H004461	ARM LEFT INTERLOCK SW	1	1	1
	36	2C904340	2C904340	SPRING LEFT INTERLOCK	1	1	1
	37	302H004430	2H004430	PIN LEFT COVER HOOK F	1	1	1
	38	302H033170	2H033170	FILTER OZONE A	3	3	3
	39	302H028590	2H028590	PLATE GUIDE DU	1	1	1
	40	302H034130	2H034130	LABEL HIGH TEMP	1	1	1
	41	302H024721	2H024721	SPRING CONTACT DU	1	1	1
⊙	42	302FB05380	2FB05380	LABEL VFEEED CAUTION	1	1	1
⊙	43	302K534130	2K534130	LABEL VFEEED CAUTION	1	1	1

	Ref. No.	Part.No.	Alternative.	Description	Quantity		
					120	230	240
	101	7BB200308H	BB105660	+BIND T.T P SCREW 3X8			
	102	7BB100310H	BB112470	+BIND T.T S SCREW 3X10			
	103	7BB100306H	BB046010	+BIND T.T S SCREW 3X6			
	104	7BC00030A080H01	BC046150	WASHER M3X10X0.8T			
	105	7BB102308H	BB046210	TP TAP-TITE SCREW M3X8			
	106	7BB780308H	BB111200	+BIND T.T S SCREW 3X8 SR(BLACK)			

- Parts with "\*" are component parts or sub-assemblies of the assembly appearing immediately above them.
- Parts with "⊙" indicate regular maintenance parts.

- Parts with "••" are component parts or sub-assembly with "•" appearing immediately above them.

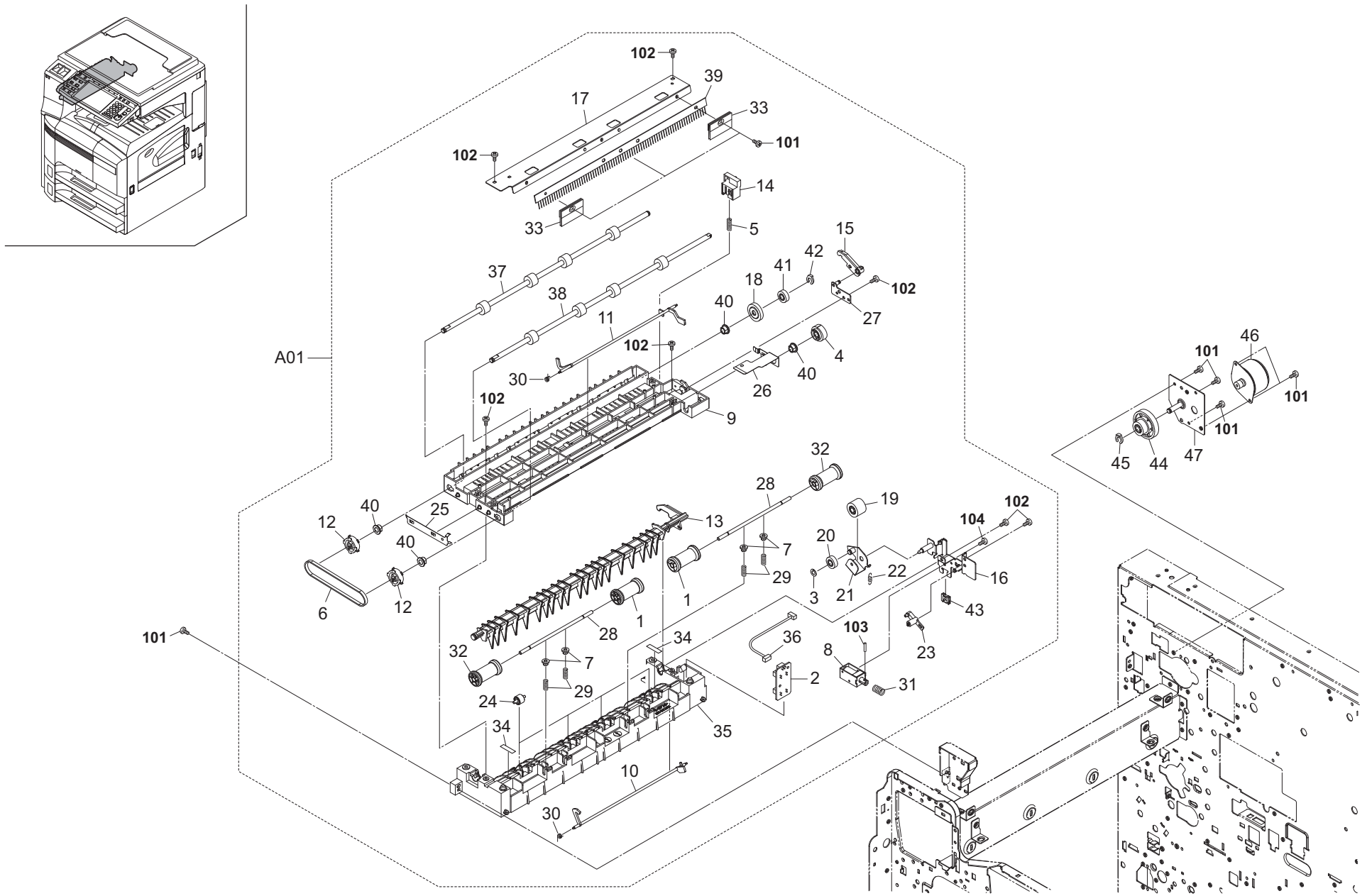




FIG. 20 Exit Section 2

2K5

Ref. No.	Part.No.	Alternative.	Description	Quantity		
				120	230	240
⊙ A01	302H093191	2H093191	PARTS EXIT UNIT	1	1	1
1	*2BL21450	2BL21450	PULLEY EXIT B	2	2	2
⊙ 2	*2C901060	2C901060	PCB EJECT SW ASSY	1	1	1
3	*2C904550	2C904550	CUT WASHER 5	1	1	1
⊙ 4	*2C921120	2C921120	GEAR 23 EXIT	1	1	1
5	*2C921290	2C921290	SPRING LINK	1	1	1
⊙ 6	*2FB17260	2FB17260	BELT FEED HANDLE	1	1	1
7	*2FM04150	5MVM163DN005	CAP SPRING /B-11 ENCLOSURE A4	4	4	4
⊙ 8	*302GR44160	2GR44160	SOLENOID FEED SHIFT	1	1	1
9	*302H028011	2H028011	FRAME EXIT UPPER	1	1	1
10	*302H028040	2H028040	ACTUATOR EXIT INNER	1	1	1
11	*302H028050	2H028050	ACTUATOR EXIT FEED	1	1	1
⊙ 12	*302H028070	2H028070	PULLEY EJECT T32	2	2	2
13	*302H028091	2H028091	GUIDE SEPARATE INNER	1	1	1
14	*302H028101	2H028101	LEVER LINK	1	1	1
15	*302H028120	2H028120	ARM LINK	1	1	1
16	*302H028150	2H028150	PLATE EXIT A	1	1	1
17	*302H028160	2H028160	PLATE EXIT B	1	1	1
⊙ 18	*302H028170	2H028170	GEAR EXIT FEED 21	1	1	1
⊙ 19	*302H028180	2H028180	GEAR EXIT FEED 17	1	1	1
⊙ 20	*302H028190	2H028190	GEAR EXIT FEED 13	1	1	1
21	*302H028200	2H028200	PLATE EXIT JOINT	1	1	1
22	*302H028210	2H028210	SPRING EXIT JOINT	1	1	1
23	*302H028220	2H028220	LINK SOLENOID	1	1	1
24	*302H028230	2H028230	PULLEY EXIT FEED	4	4	4
25	*302H028250	2H028250	GROUND PLATE EXIT A	1	1	1
26	*302H028260	2H028260	GROUND PLATE EXIT B	1	1	1
27	*302H028300	2H028300	PLATE ARM LINK	1	1	1
28	*302H028400	2H028400	SHAFT SEP FEED	2	2	2
29	*302H028410	2H028410	SPRING EXIT FEED	4	4	4
30	*302H028520	2H028520	SPRING ACTUATOR INNER	2	2	2
31	*302H028540	2H028540	SPRING SOLENOID	1	1	1
32	*302H028570	2H028570	PULLEY EXIT	2	2	2
⊙ 33	*302H028580	2H028580	FILM EXIT	2	2	2
34	*302H028630	2H028630	FILM EXIT C	2	2	2
35	*302H028660	2H028660	FRAME EXIT LOWER A	1	1	1
36	*302H046140	2H046140	WIRE EJECT UNIT	1	1	1
⊙ 37	*302H094360	2H094360	PARTS ROLLER EXIT FEED SP	1	1	1
⊙ 38	*302H094370	2H094370	PARTS ROLLER EXIT INNER SP	1	1	1
⊙ 39	*34821210	34821210	STATIC ELIMINATOR B,EJECT	1	1	1
40	*3CY07080	3CY07080	BUSHING 6	4	4	4
⊙ 41	*5AAVCLTCH018	2A806910	ONE WAY CLUTCH /A-49 MPF A4	1	1	1
42	*5MVX111DN003	2A806250	RING STOPPER /A-49 FEED A4	1	1	1
43	*M2104390	M2104390	EDGING,EDS-0607L(KITAGAWA)	1	1	1
⊙ 44	302H028290	2H028290	GEAR EXIT 73/21	1	1	1
45	5MVX111DN003	2A806250	RING STOPPER /A-49 FEED A4	1	1	1
⊙ 46	2C927020	2C927020	MOTOR EJECT	1	1	1
47	302H028280	2H028280	PLATE EXIT DRIVE	1	1	1

Ref. No.	Part.No.	Alternative.	Description	Quantity		
				120	230	240
101	7BB100306H	BB046010	+BIND T.T S SCREW 3X6			
102	7BB200308H	BB105660	+BIND T.T P SCREW 3X8			
103	E0120220	E0120220	SPRING PIN 2X22(SUS)			
104	7BB000P03H	BB107130	+BIND M SCREW 2.6X3			

- Parts with "\*" are component parts or sub-assemblies of the assembly appearing immediately above them.
- Parts with "⊙" indicate regular maintenance parts.

- Parts with "••" are component parts or sub-assembly with "•" appearing immediately above them.

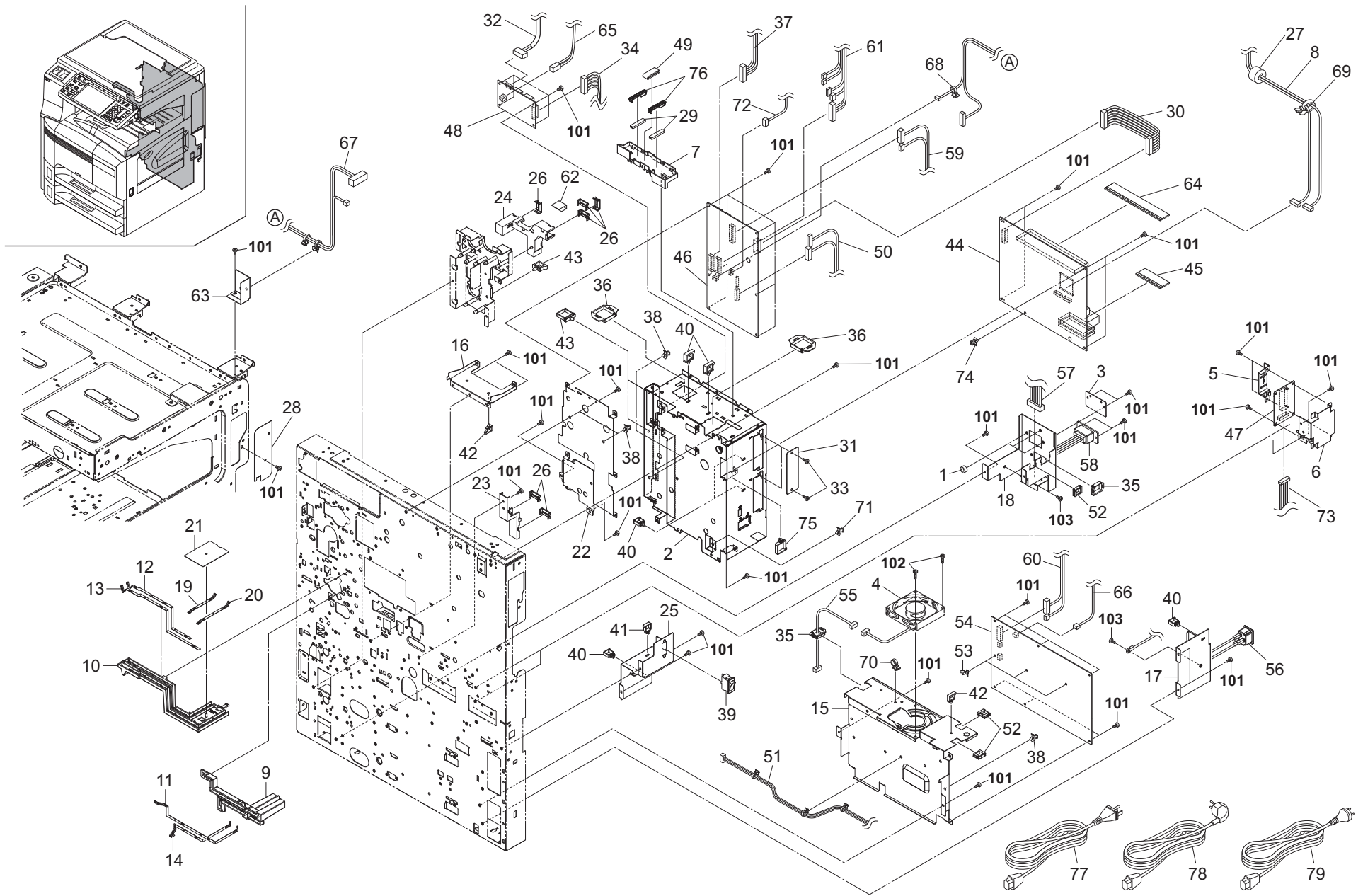


FIG. 21 Electrical Components 1

2K5

Ref. No.	Part.No.	Alternative.	Description	Quantity		
				120	230	240
1	302H002380	2H002380	SHIELD SCREW	3	3	3
2	302K539030	2K539030	MOUNT MAIN PWB	1	1	1
3	302FB26290	2FB26290	LID VENDOR	1	1	1
4	302GR44050	2GR44050	FAN CONTROLLER 80-15	1	1	1
5	302H739770	2H739770	GUIDE CF	1	1	1
6	302K539050	2K539050	MOUNT CF PWB	1	1	1
7	302K539080	2K539080	GUIDE WIRE FFC	1	1	1
8	302K546210	2K546210	WIRE MAIN-PANEL IF JUNCTION	1	1	1
9	302H039061	2H039061	BASE TERMINAL MAIN	1	1	1
10	302H039070	2H039070	BASE TERMINAL TRANSFER	1	1	1
11	302H039080	2H039080	TERMINAL MAIN	1	1	1
12	302H039090	2H039090	TERMINAL TRANSFER	1	1	1
13	302H039100	2H039100	TERMINAL SEPARATION	1	1	1
14	302H039110	2H039110	TERMINAL DLP	1	1	1
15	302H039120	2H039120	MOUNT POWER PWB	1	1	1
16	302H039160	2H039160	MOUNT HV PWB	1	1	1
17	302H039170	2H039170	MOUNT INLET	1	1	1
18	302H039180	2H039180	MOUNT OPTION I/F	1	1	1
19	302H039190	2H039190	TERMINAL TRANSFER R	1	1	1
20	302H039200	2H039200	TERMINAL SEPARATION R	1	1	1
21	302H039210	2H039210	LID HV TERMINAL	1	1	1
22	302K539040	2K539040	MOUNT ENGINE PWB	1	1	1
23	302H039230	2H039230	GUIDE WIRE R	1	1	1
24	302H039240	2H039240	GUIDE WIRE L	1	1	1
25	302H039260	2H039260	MOUNT MAIN SW	1	1	1
26	302H039270	2H039270	LID WIRE GUIDE	6	6	6
27	3HK27050	3HK27050	CORE 8-16X10	1	1	1
28	302K539100	2K539100	LID SHIELD	1	1	1
29	302KK39690	2KK39690	SPONGE FFC	2	2	2
30	302K546330	2K546330	WIRE MAIN ENGINE	1	1	1
31	303BH26021	3BH26021	PLATE,OPTION	2	2	2
32	302K546260	2K546260	WIRE LAMP INVERTER	1	1	1
33	5MMT263SN012++R	2D903100	SCREW OP / M3 X 8 CRFREE A4	4	4	4
34	302K546340	2K546340	WIRE SCANNER MAIN	1	1	1
35	7YZM210002++H01	YZ004730	ACCESS.EDGING	2	2	2
36	7YZM210004++H01	YZ037980	ACCESS.EDGING	2	2	2
37	302K546150	2K546150	WIRE CONVEYING	1	1	1
38	M2108130	M2108130	SPACER,KGPS-4S	4	4	4
39	7SC010101+++H01	SC023350	SW.SEE SAW	1	1	1
40	7YZM610011++H01	YZ043000	ACCESS.SADDLE	6	6	6
41	7YZM390002++H01	YZ012140	ACCESS.CLAMP	1	1	1
42	7YZM610001++H01	YZ010230	ACCESS SADDLE	2	2	2
43	7YZM610003++H01	YZ010250	ACCESS SADDLE	3	3	3
44	302K594010	2K594010	PARTS MAIN PWB ASSY SP	1	1	1
44	302K594020	2K594020	PARTS MAIN PWB ASSY EU SP	1	1	1
45	302K594060	2K594060	PARTS PWB CODE DIMM ASSY SP	1	1	1
46	302K594030	2K594030	PARTS ENGINE PWB ASSY SP	1	1	1
47	302H794020	2H794020	PARTS PWB CF ASSY SP	1	1	1
48	302K594040	2K594040	PARTS PWB SCANNER ASSY SP	1	1	1
49	7YBFZ65C001H01	YB110990	FERRITE CORE	1	1	1

- Parts with "\*" are component parts or sub-assemblies of the assembly appearing immediately above them.
- Parts with "⊙" indicate regular maintenance parts.

Ref. No.	Part.No.	Alternative.	Description	Quantity		
				120	230	240
50	302K546040	2K546040	WIRE CASSETTE	1	1	1
51	302H046441	2H046441	WIRE MAIN SW	1	1	1
52	7YZM390003++H01	YZ042070	ACCESS.CLAMP	3	3	3
53	7YZM510007++H01	YZ042780	ACCESS.SPACER	3	3	3
54	302H093290	2H093290	PARTS LVU 200	1	1	1
54	302H093280	2H093280	PARTS LVU 100	1	1	1
55	302H046540	2H046540	WIRE LVU FAN	2	2	2
56	302H046560	2H046560	WIRE INLET	1	1	1
57	302K546170	2K546170	WIRE DF I/F	1	1	1
58	302GR46160	2GR46160	WIRE FINISHER SOCKET	1	1	1
59	302K546080	2K546080	WIRE LVU	1	1	1
60	302K546060	2K546060	WIRE POWER-MAIN	1	1	1
61	302K546140	2K546140	WIRE MAIN MOTOR	1	1	1
62	302H002290	2H002290	FILM PROTECT A	1	1	1
63	302H004800	2H004800	COVER OP WIRE	1	1	1
64	302KS94360	2KS94360	PARTS MEMORY MODULE SP	1	1	1
65	302K546350	2K546350	WIRE SCAN POWER	1	1	1
66	302H046680	2H046680	WIRE INTERLOCK JUNCTION	1	1	1
67	302K546280	2K546280	WIRE KEY COUNTER	1	1	1
68	7YZM420003++H01	YZ052580	ACCESS.BAND	1	1	1
69	7YZM410001++H01	YZ037950	ACCESS.BAND	1	1	1
70	M21AH010	M21AH010	BAND,RSG-130-V0(KITAGAWA)	1	1	1
71	7YZM510015++H01	YZ115900	ACCESS.SPACER	1	1	1
72	302K546390	2K546390	WIRE FUSER FAN JUNCTION	1	1	1
73	302K546410	2K546410	WIRE CF JUNCTION	1	1	1
74	M2108730	M2108730	SPACER,KGTS-5T(KITAGAWA)	1	1	1
75	7YZM610013++H01	YZ043020	ACCESS.SADDLE	1	1	1
76	7YZM390003++H01	YZ042070	ACCESS.CLAMP	2	2	2
77	3019527401	19527401	POWER CORD(120)	1	1	1
78	2AR27800	2AR27800	POWER CORD(230)	1	1	1
79	7AAACCAS+10H002	AA114390	AC CORD ASSY AS	1	1	1
101	7BB100306H	BB046010	+BIND T.T S SCREW 3X6			
102	7BB100320H	BB112650	+BIND T.T S SCREW 3X20			
103	B9604060	B9604060	GROUNDING SCREW M4X6 (BRASS,N;)			

- Parts with "••" are component parts or sub-assembly with "•" appearing immediately above them.

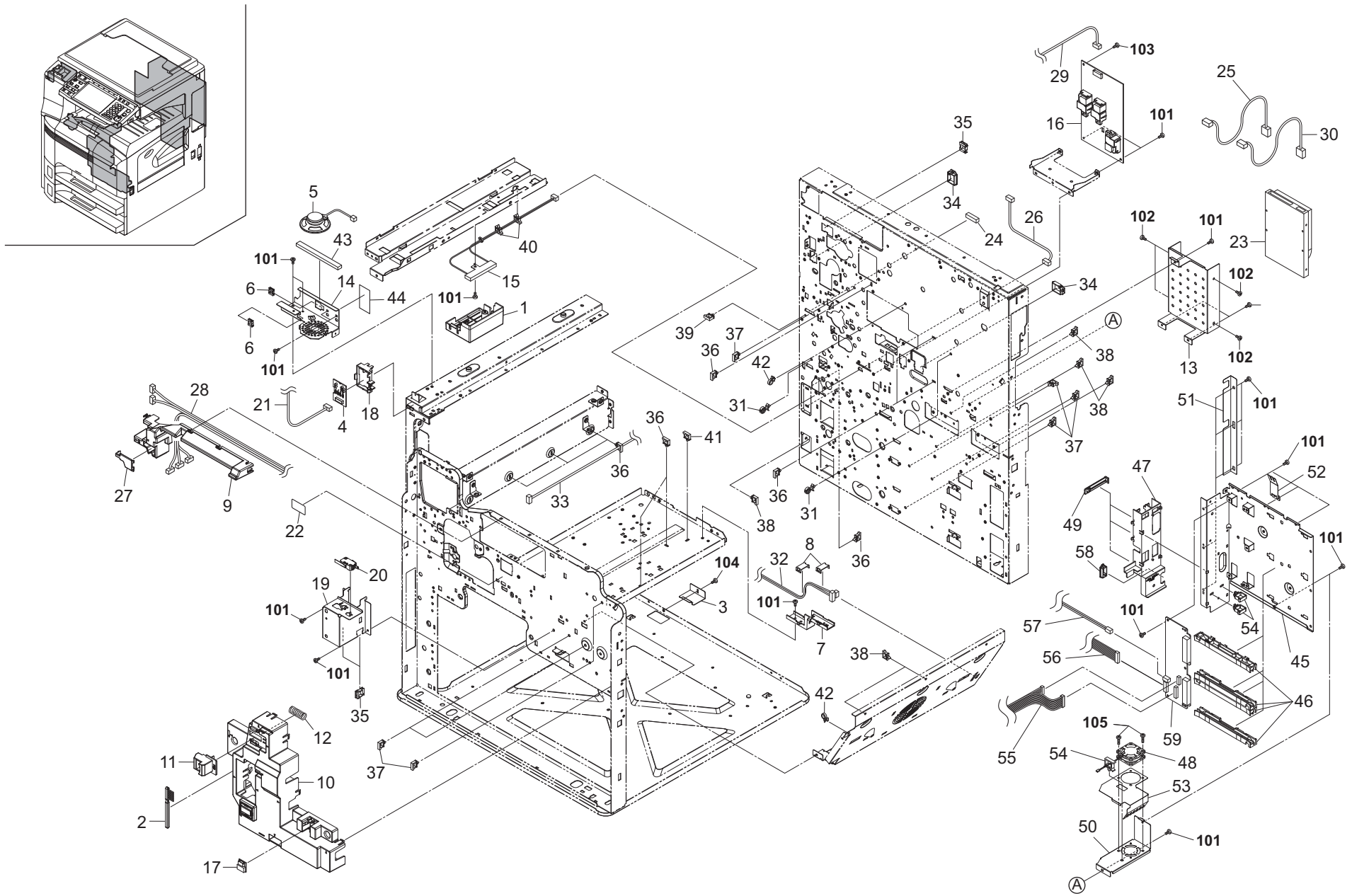


FIG. 22 Electrical Components 2

2K5

Ref. No.	Part.No.	Alternative.	Description	Quantity		
				120	230	240
1	302H002260	2H002260	SHIELD HEATER DRUM	1	1	1
2	2BL16220	5AAVBRUSH036	BRUSH CLEANER	1	1	1
3	302GR39190	2GR39190	COVER CONN	1	1	1
4	302H001240	2H001240	OPERATION FRONT PWB ASS'Y	1	1	1
5	7YG57S011GP+H01	YG042080	SPEAKER	1	1	1
6	7YZM210006++H01	YZ038000	ACCESS.EDGING	2	2	2
7	302H039230	2H039230	GUIDE WIRE R	1	1	1
8	302H039270	2H039270	LID WIRE GUIDE	2	2	2
9	302H004520	2H004520	COVER INNER TOP	1	1	1
10	302H004210	2H004210	COVER INNER LOW	1	1	1
11	302H004530	2H004530	LEVER CONT RELEASE	1	1	1
12	302H004540	2H004540	SPRING CONT RELEASE	1	1	1
13	302H039050	2H039050	MOUNT HDD	1	1	1
14	302H004330	2H004330	MOUNT SPEAKER	1	1	1
15	302H094240	2H094240	PARTS HEATER DRUM SP	1	1	1
16	302H094250	2H094250	PARTS,HIGH VOLTAGE,SP	1	1	1
17	302H094300	2H094300	PARTS,HUMIDITY SENSOR,SP	1	1	1
18	302GR39131	2GR39131	HOUSING LED PWB	1	1	1
19	302H004320	2H004320	MOUNT INTERLOCK SW	1	1	1
20	2FB27160	2FB27160	INTER LOCK SWITCH	1	1	1
21	302K546220	2K546220	WIRE OPERATION FRONT JUNCTION	1	1	1
22	2BL05150	2BL05150	LABEL RADIATION	1	1	1
23	302K593040	2K593040	PARTS HDD	1	1	1
24	7YCC09B1106+H01	YC051480	CONNECTOR	1	1	1
25	302K546050	2K546050	WIRE HDD DATA	1	1	1
26	302H046410	2H046410	WIRE DH JUNCTION	1	1	1
27	302H004760	2H004760	LID INNER COVER	1	1	1
28	302K546110	2K546110	WIRE FRONT	1	1	1
29	302H046260	2H046260	WIRE HVU	1	1	1
30	302K546130	2K546130	WIRE HDD POWER	1	1	1
31	5MVX431NN001	3D302100	SPACING CLIP /VSC-10 XX	2	2	2
32	302K546160	2K546160	WIRE MPF	1	1	1
33	302K546190	2K546190	WIRE PRIMARY	1	1	1
34	7YZM210002++H01	YZ004730	ACCESS.EDGING	2	2	2
35	7YZM210005++H01	YZ037990	ACCESS.EDGING	3	3	3
36	7YZM390002++H01	YZ012140	ACCESS.CLAMP	10	10	10
37	7YZM610001++H01	YZ010230	ACCESS SADDLE	7	7	7
38	7YZM610003++H01	YZ010250	ACCESS SADDLE	6	6	6
39	7YZM610008++H01	YZ037940	ACCESS.SADDLE	1	1	1
40	7YZM610007++H01	YZ023340	ACCESS.SADDLE	2	2	2
41	7YZM610013++H01	YZ043020	ACCESS.SADDLE	1	1	1
42	M21AH010	M21AH010	BAND,RSG-130-V0(KITAGAWA)	2	2	2
43	302H033220	2H033220	SPONGE SEAL B	1	1	1
44	302H033230	2H033230	FILM SEAL C	1	1	1
45	302K539010	2K539010	SHIELD MAIN WC	1	1	1
46	302K539020	2K539020	GUIDE RAIL PWB	4	4	4
47	302K539060	2K539060	GUIDE WIRE RIGHT	1	1	1
48	302GR44010	2GR44010	FAN OPE 40-10	1	1	1
49	302K539070	2K539070	LID GUIDE WIRE RIGHT	3	3	3
50	302K539110	2K539110	MOUNT FAN	1	1	1

Ref. No.	Part.No.	Alternative.	Description	Quantity		
				120	230	240
51	302K539090	2K539090	SEAL SHIELD WIRE	1	1	1
52	302K539120	2K539120	GROUND SHIELD A	1	1	1
53	302K539130	2K539130	SHIELD MOUNT FAN	1	1	1
54	7YZM610010++H01	YZ042990	ACCESS.SADDLE	3	3	3
55	302K546310	2K546310	WIRE MAIN-KUIO	1	1	1
56	302K546320	2K546320	WIRE CF	1	1	1
57	302K546370	2K546370	WIRE KUIO POWER	1	1	1
58	7YZM210003++H01	YZ037970	ACCESS.EDGING	1	1	1
59	302H794031	2H794031	PARTS PWB KUIO IF ASSY SP	1	1	1
101	7BB100306H	BB046010	+BIND T.T S SCREW 3X6			
102	B9A90010	B9A90010	+PAN SCREW 6-32X0.25			
103	7BB100308H	BB045340	+BIND T.T S SCREW 3X8			
104	7BB102308H	BB046210	TP TAP-TITE SCREW M3X8			
105	7BB100314H	BB112130	+BIND T.T S SCREW 3X14			

- Parts with "•" are component parts or sub-assemblies of the assembly appearing immediately above them.
- Parts with "⊙" indicate regular maintenance parts.

- Parts with "••" are component parts or sub-assembly with "•" appearing immediately above them.

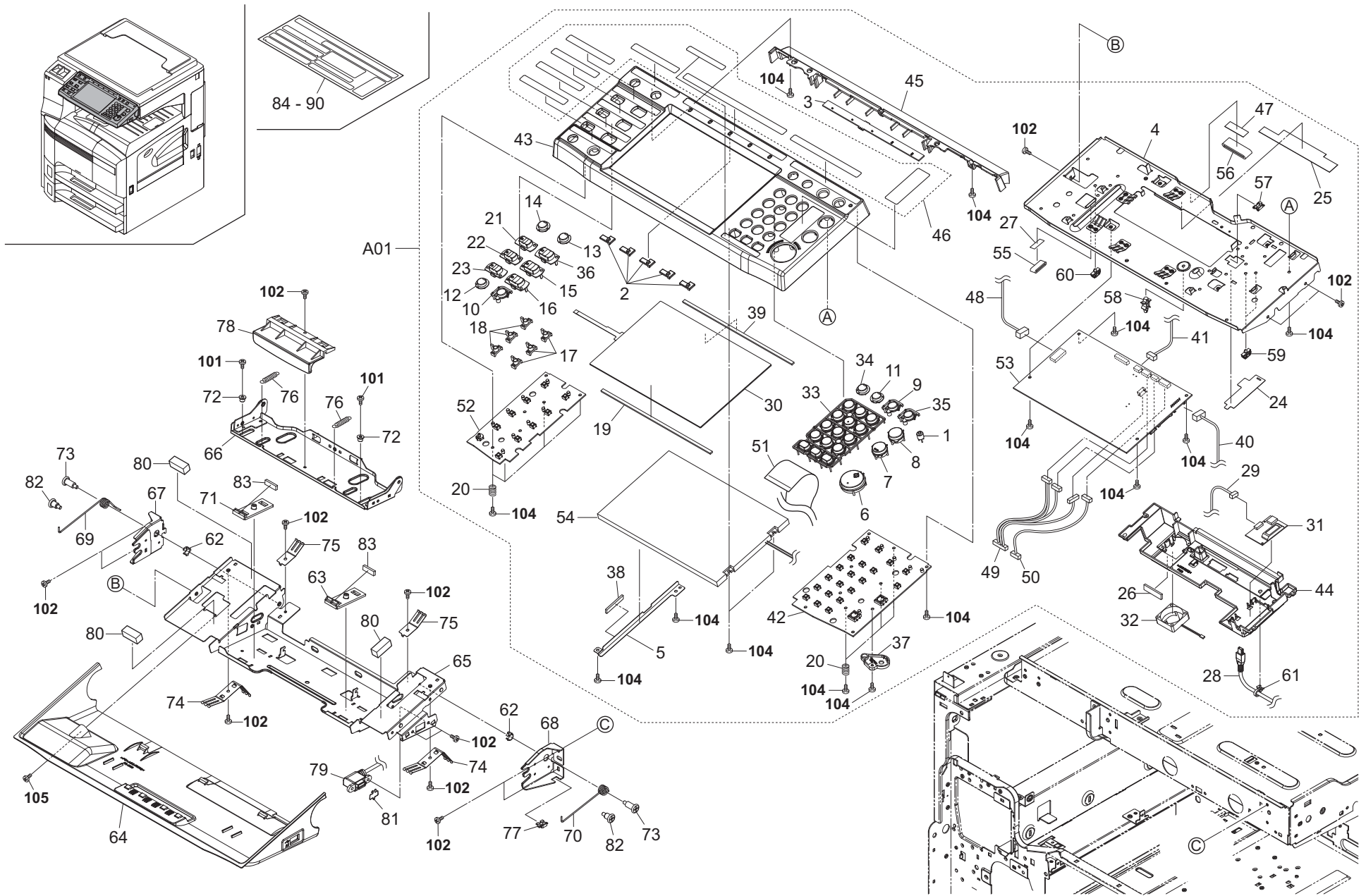


FIG. 23 Operation Section

2K5

Ref. No.	Part.No.	Alternative.	Description	Quantity		
				120	230	240
⊙ A01	302K594110	2K594110	PARTS OPERATION UNIT EXP SP	1	1	1
1	+302GR05280	2GR05280	LENS POWER LED	1	1	1
2	+302GR05290	2GR05290	LENS LED	5	5	5
⊙ 3	+302H001230	2H001230	OPERATION UPPER PWB ASS'Y	1	1	1
4	+302H005091	2H005091	MOUNT LCD	1	1	1
5	+302H005110	2H005110	HOLDER LCD B	1	1	1
⊙ 6	+302H005130	2H005130	KEY START	1	1	1
⊙ 7	+302H005140	2H005140	KEY STOP	1	1	1
⊙ 8	+302H005150	2H005150	KEY RESET	1	1	1
⊙ 9	+302H005181	2H005181	KEY SAVER	1	1	1
⊙ 10	+302H005191	2H005191	KEY ACCESS	1	1	1
⊙ 11	+302H005200	2H005200	KEY LOG OUT	1	1	1
⊙ 12	+302H005210	2H005210	KEY HELP	1	1	1
⊙ 13	+302H005220	2H005220	KEY COUNTER	1	1	1
⊙ 14	+302H005230	2H005230	KEY SYSTEM	1	1	1
⊙ 15	+302H005250	2H005250	KEY SEND	1	1	1
⊙ 16	+302H005260	2H005260	KEY DOCUMENT	1	1	1
17	+302H005300	2H005300	LENS KEY A	3	3	3
18	+302H005310	2H005310	LENS KEY B	3	3	3
19	+302H005610	2H005610	SPONGE LCD	1	1	1
20	+302H005620	2H005620	SPRING EARTH LCD	7	7	7
⊙ 21	+302H005630	2H005630	KEY STATUS	1	1	1
⊙ 22	+302H005640	2H005640	KEY PROGRAM	1	1	1
⊙ 23	+302H005650	2H005650	KEY APPLICATION	1	1	1
24	+302H005670	2H005670	FILM LCD WIRE	1	1	1
25	+302H005680	2H005680	FILM GUIDE FFC	1	1	1
26	+302H005A00	2H005A00	CUSHION OPE FAN	1	1	1
27	+302H017670	2H017670	TAPE CCD B	1	1	1
28	+302H046730	2H046730	WIRE PANEL USB JUNCTION	1	1	1
29	+302H046810	2H046810	WIRE PANEL INVERTER(M)	1	1	1
⊙ 30	+302H094271	2H094271	PARTS, TABLET OPERATION, SP	1	1	1
⊙ 31	+302H094290	2H094290	PARTS, LCD INVERTER, SP	1	1	1
⊙ 32	+302H094480	2H094480	PARTS FAN MAIN PWB SP	1	1	1
⊙ 33	+302H705040	2H705040	KEY 10	1	1	1
⊙ 34	+302H705140	2H705140	KEY INTERRUPT	1	1	1
⊙ 35	+302H705190	2H705190	KEY POWER SUPPLY	1	1	1
⊙ 36	+302H705320	2H705320	KEY COPY	1	1	1
37	+302H705360	2H705360	SPACER KEY	1	1	1
38	+302H705580	2H705580	CUSHION OPE A	1	1	1
39	+302H705610	2H705610	CUSHION LCD	1	1	1
40	+302H746870	2H746870	WIRE OPERATION RIGHT	1	1	1
41	+302H746880	2H746880	WIRE OPERATION UPPER	1	1	1
⊙ 42	+302H794160	2H794160	PARTS PWB PANEL RIGHT ASSY SP	1	1	1
43	+302K505010	2K505010	COVER OPERATION	1	1	1
44	+302K505020	2K505020	MOUNT INVERTER	1	1	1
45	+302K505050	2K505050	COVER OPE REAR	1	1	1
⊙ 46	+302K505220	2K505220	LABEL OPERATION SET A	1	1	1
47	+302K505240	2K505240	TAPE FFC	1	1	1
48	+302K546030	2K546030	WIRE OPERATION LEFT	1	1	1
49	+302K546120	2K546120	WIRE MAIN-PANEL IF	1	1	1

- Parts with "\*" are component parts or sub-assemblies of the assembly appearing immediately above them.
- Parts with "⊙" indicate regular maintenance parts.

Ref. No.	Part.No.	Alternative.	Description	Quantity		
				120	230	240
⊙ 50	+302K546200	2K546200	WIRE PANEL	1	1	1
51	+302K546420	2K546420	WIRE PANEL LCD	1	1	1
⊙ 52	+302K594050	2K594050	PARTS PWB PANEL LEFT ASSY SP	1	1	1
⊙ 53	+302K594080	2K594080	PARTS PWB PANEL MAIN ASSY SP	1	1	1
⊙ 54	+302K594140	2K594140	PARTS LCD OPERATION SP	1	1	1
55	+7YBFG0509001H01	YB055270	FERRITE CORE	1	1	1
56	+7YBFZ65C001H01	YB110990	FERRITE CORE	1	1	1
57	+7YZM210006++H01	YZ038000	ACCESS.EDGING	1	1	1
58	+7YZM510011++H01	YZ049270	ACCESS.SPACER	1	1	1
59	+7YZM610007++H01	YZ023340	ACCESS.SADDLE	2	2	2
60	+7YZM610008++H01	YZ037940	ACCESS.SADDLE	1	1	1
61	+M21AH010	M21AH010	BAND, RSG-130-V0(KITAGAWA)	1	1	1
62	302GR05090	2GR05090	BUSH PIN OPE	2	2	2
63	302GR05120	2GR05120	MOUNT SLIDE	1	1	1
⊙ 64	302K505040	2K505040	COVER BASE OPERATION	1	1	1
65	302H005030	2H005030	BASE OPERATION	1	1	1
66	302H005041	2H005041	MOUNT HANDLE OPE	1	1	1
67	302H005051	2H005051	HINGE OPE LEFT	1	1	1
68	302H005061	2H005061	HINGE OPE RIGHT	1	1	1
69	302H005070	2H005070	SPRING HINGE OPE L	1	1	1
70	302H005080	2H005080	SPRING HINGE OPE R	1	1	1
71	302H005320	2H005320	MOUNT SLIDE LEFT	1	1	1
72	302H005340	2H005340	BUSH SLIDE OPE	2	2	2
73	302H005350	2H005350	PIN HINGE OPE	2	2	2
74	302H005360	2H005360	PLATE GROUND BASE OPE	2	2	2
75	302H005370	2H005370	PLATE GROUND MOUNT OPE	2	2	2
76	75018250	75018250	SPRING CLEANING SOLENOID	2	2	2
77	7YZM210006++H01	YZ038000	ACCESS.EDGING	1	1	1
78	302GR05070	2GR05070	HANDLE OPE	1	1	1
79	302K546020	2K546020	WIRE USB HOST	1	1	1
80	2FG27540	2FG27540	GASKET MULTIPOST B	3	3	3
81	302H005661	2H005661	SPRING USB HOST	1	1	1
82	302H005690	2H005690	PIN HINGE OPE C	2	2	2
83	302GR05080	2GR05080	CUSHION HANDLE A	2	2	2
⊙ 84	302H005731	2H005731	SHEET OPE SET C	1	1	1
⊙ 85	302H005741	2H005741	SHEET OPE SET D	1	1	1
⊙ 86	302H005752	2H005752	SHEET OPE SET E	1	1	1
⊙ 87	302H005761	2H005761	SHEET OPE SET F	1	1	1
⊙ 88	302H005771	2H005771	SHEET OPE SET G	1	1	1
⊙ 89	302H005781	2H005781	SHEET OPE SET H	1	1	1
⊙ 90	302H005791	2H005791	SHEET OPE SET I	1	1	1
101	7BB100310H	BB112470	+BIND T.T S SCREW 3X10			
102	7BB100306H	BB046010	+BIND T.T S SCREW 3X6			
103	7BB100314H	BB112130	+BIND T.T S SCREW 3X14			
104	7BB200308H	BB105660	+BIND T.T P SCREW 3X8			
105	7BB102308H	BB046210	TP TAP-TITE SCREW M3X8			

- Parts with "•" are component parts or sub-assembly with "\*" appearing immediately above them.



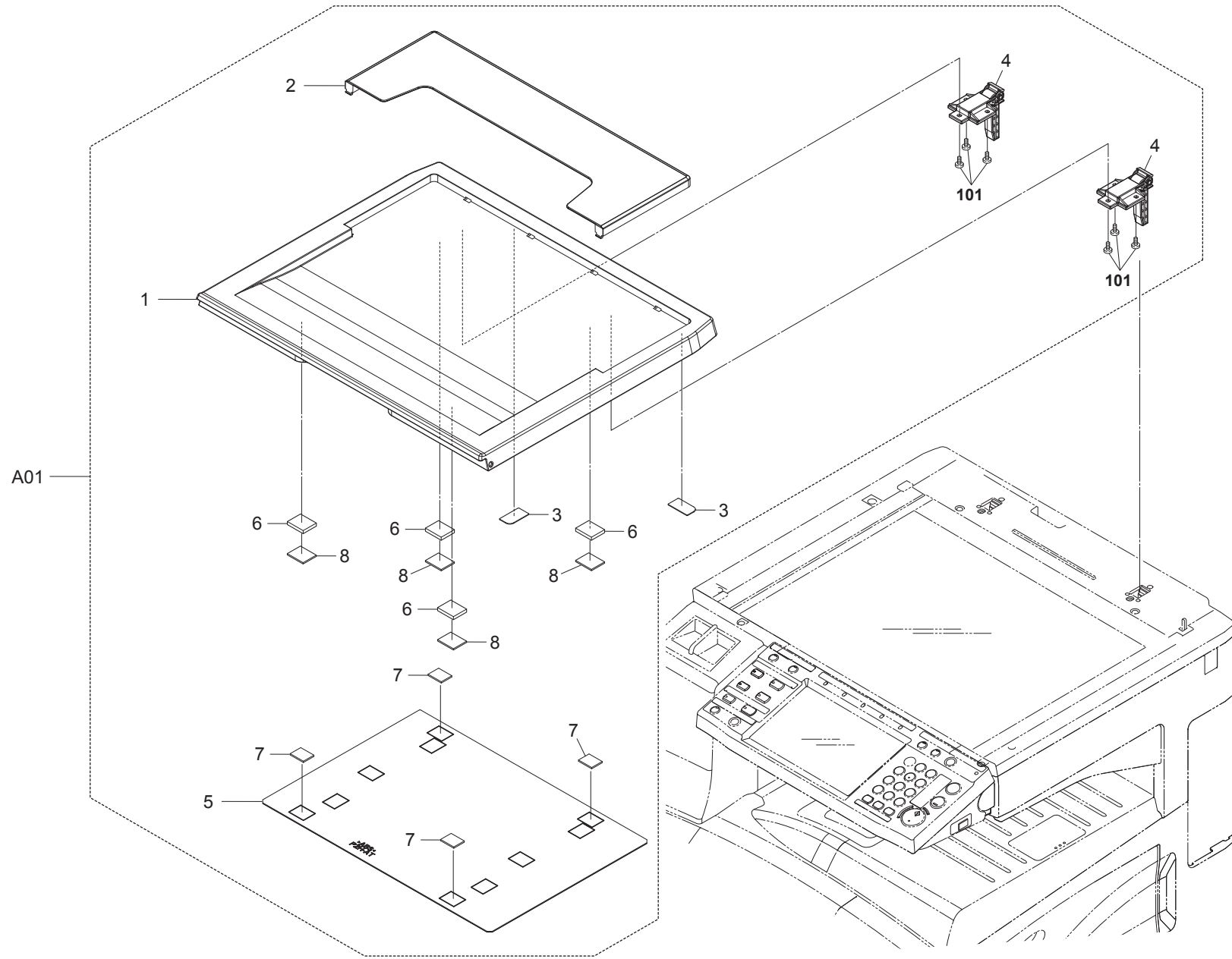




FIG. 24 Options 1

2K5

Ref. No.	Part.No.	Alternative.	Description	Quantity		
				120	230	240
A01	1202H70UN0	022H70UN	PLATEN COVER TYPE(E)	1	1	1
1	*302H717500	2H717500	COVER PLATEN	1	1	1
2	*302H717510	2H717510	COVER POCKET	1	1	1
3	*302H717520	2H717520	STOPPER RELEASE SWITCH	2	2	2
4	*302H717600	2H717600	HINGI ORIGINAL HOLDER	2	2	2
5	*303JC04200	3JC04200	PLATE ORIGINAL	1	1	1
6	*303K502080	3K502080	SPONGE ORIGINAL MAT	4	4	4
7	*303MX02021	3MX02021	CUSHION ORIGINAL MAT A	4	4	4
8	*303MX02031	3MX02031	CUSHION ORIGINAL MAT B	4	4	4

Ref. No.	Part.No.	Alternative.	Description	Quantity		
				120	230	240
101	7BB280410H	BB111250	+BIND T.T P SCREW 4X10(BLACK)			

- Parts with "\*" are component parts or sub-assemblies of the assembly appearing immediately above them.
- Parts with "⊙" indicate regular maintenance parts.

- Parts with "••" are component parts or sub-assembly with "\*" appearing immediately above them.

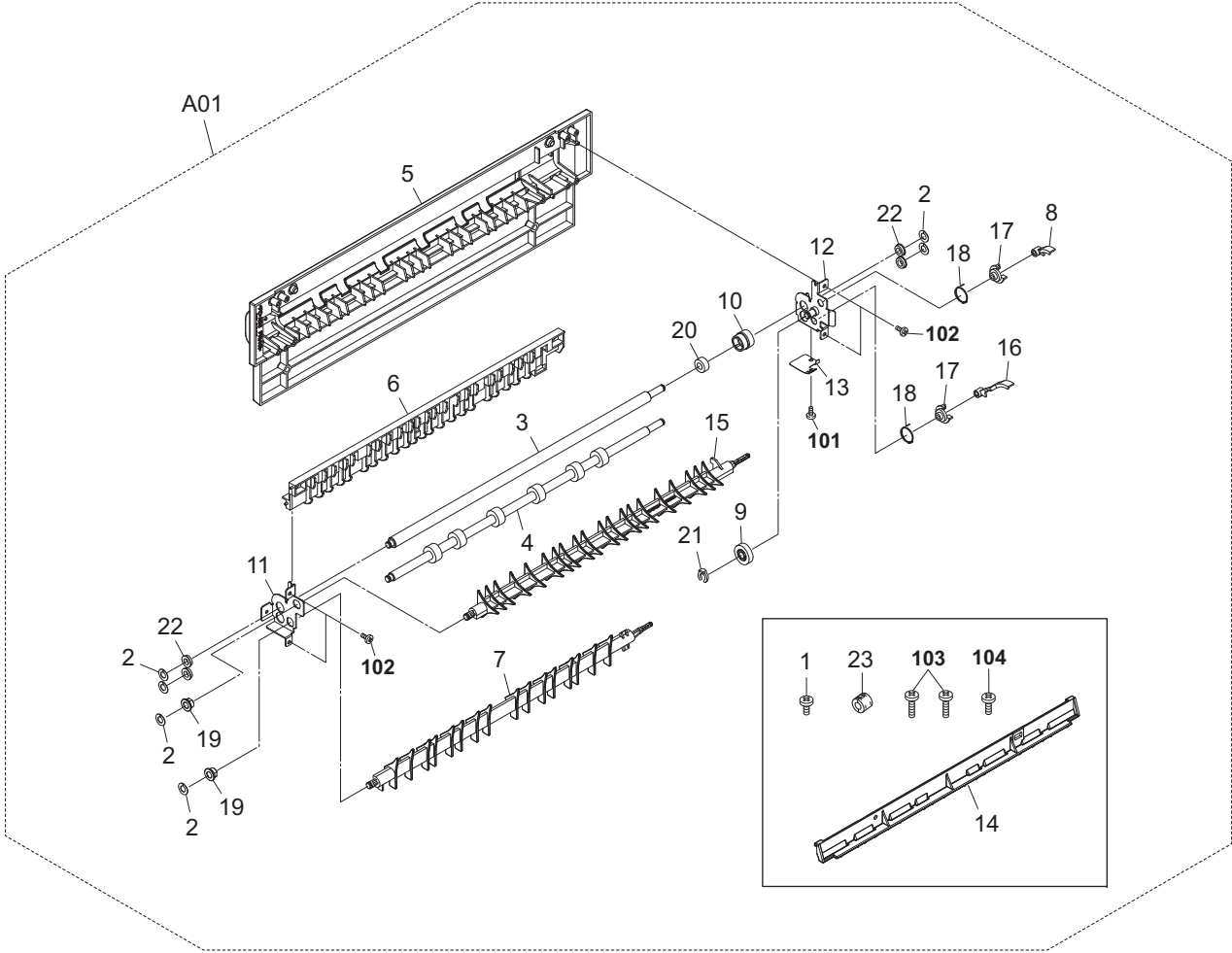


FIG. 25 Options 2

2K5

Ref. No.	Part.No.	Alternative.	Description	Quantity		
				120	230	240
A01	1702H00UN0	072H00UN	AK-670/ATTACHMENT KIT	1	1	1
1	*2BG12430	2BG12430	STUD SCREW SC	1	1	1
2	*2C904550	2C904550	CUT WASHER 5	6	6	6
⊙	3	*302H027010	2H027010	1	1	1
⊙	4	*302H027020	2H027020	1	1	1
⊙	5	*302H027031	2H027031	1	1	1
6	*302H027040	2H027040	GUIDE COVER	1	1	1
7	*302H027050	2H027050	GUIDE SEPARATE FIN	1	1	1
8	*302H027060	2H027060	ARM SEPARATE FIN	1	1	1
⊙	9	*302H027090	2H027090	1	1	1
⊙	10	*302H027100	2H027100	1	1	1
11	*302H027110	2H027110	FRONT PLATE FIN	1	1	1
12	*302H027121	2H027121	REAR PLATE FIN	1	1	1
13	*302H027131	2H027131	PLATE SEP FIN	1	1	1
14	*302H027150	2H027150	GUIDE INSERT	1	1	1
15	*302H028310	2H028310	GUIDE SEPARATE FEED	1	1	1
16	*302H028350	2H028350	ARM SEPARATE FEED A	1	1	1
17	*302H028360	2H028360	ARM SEPARATE FEED B	2	2	2
18	*302H028370	2H028370	SPRING SEPARATE FEED	2	2	2
19	*3CY07080	3CY07080	BUSHING 6	2	2	2
⊙	20	*5AAVCLTCH018	2A806910	1	1	1
21	*5MVX111DN003	2A806250	RING STOPPER /A-49 FEED A4	1	1	1
22	*68822330	68822330	BEARING,DRIVE	4	4	4
23	*7YBER0R0U001H01	YB044700	FERRITE CORE	1	1	1

Ref. No.	Part.No.	Alternative.	Description	Quantity		
				120	230	240
101	5MBTPB3006TW++R	B1A53060	BIND T.T SCREW(+)/ M3 X 6 CRFREE S-T			
102	5MBTPB3008PW++R	B1A63080	BIND T.T SCREW(+)/ M3 X 8 CRFREE P-T			
103	B1B04200	B1B04200	+BIND SCREW M4X20(TRIVALENT CHROM			
104	5MBTPB4010TW++R	B1A54100	BIND T.T SCREW(+)/ M4 X 10 CRFREE S-T			

- Parts with "\*" are component parts or sub-assemblies of the assembly appearing immediately above them.
- Parts with "⊙" indicate regular maintenance parts.

- Parts with "••" are component parts or sub-assembly with "•" appearing immediately above them.

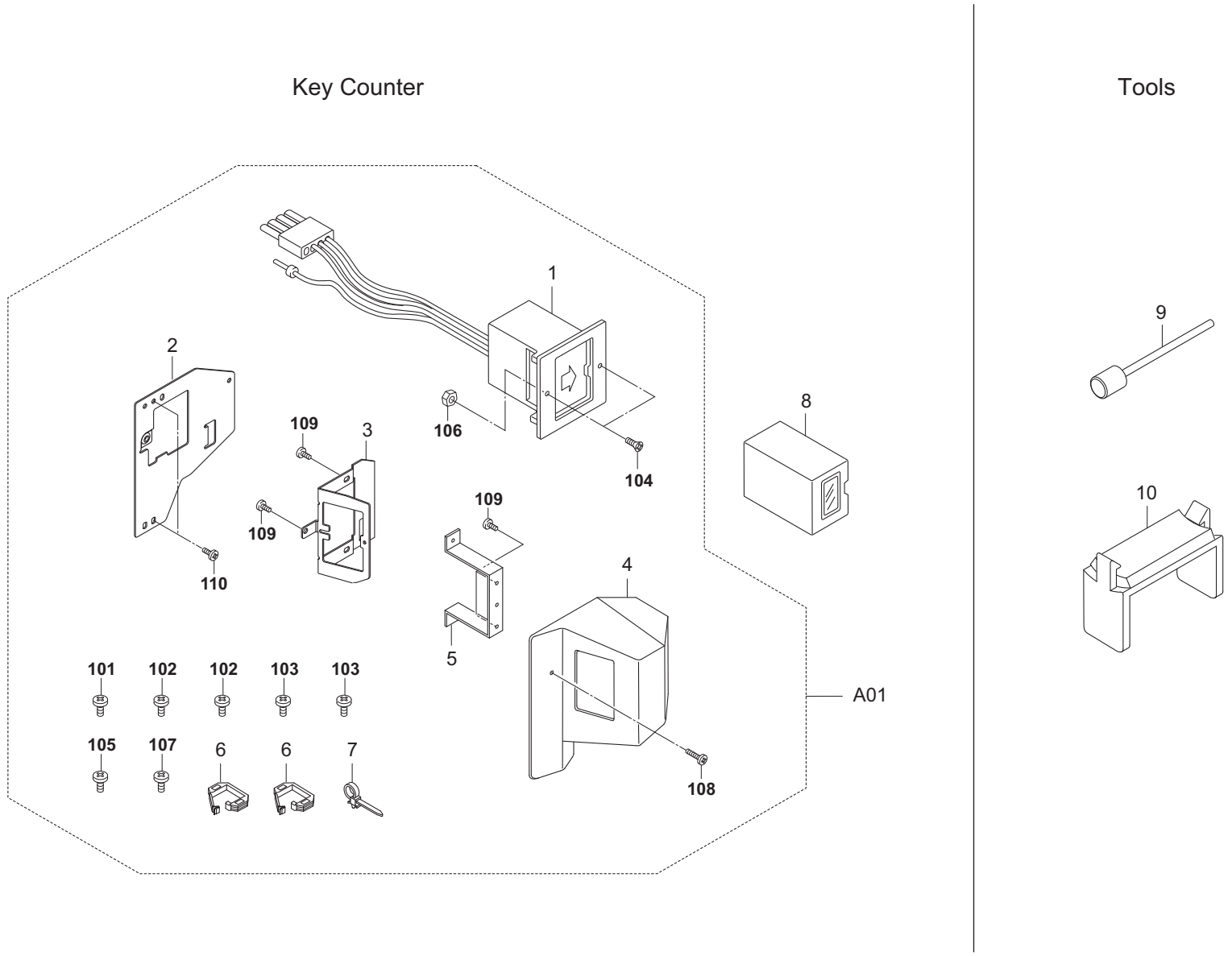


FIG. 26 Options 3 & Tools

2K5

Ref. No.	Part.No.	Alternative.	Description	Quantity		
				120	230	240
⊙ A01	302A369708	2A369708	SET PARTS KEYCOUNTER NEW COLOR	1	1	1
1	*3029236241	29236241	SOCKET ASS'Y,KEY COUNTER	1	1	1
2	*302GR03010	2GR03010	RETAINER KEY COUNTER COVER	1	1	1
3	*302GR03020	2GR03020	RETAINER KEY COUNTER	1	1	1
4	*3066060011	66060011	COVER,KEY COUNTER	1	1	1
5	*3066060041	66060041	MOUNT,KEY COUNTER	1	1	1
6	*7YZM210006++H01	YZ038000	ACCESS.EDGING	2	2	2
7	*M21AH010	M21AH010	BAND,RSG-130-V0(KITAGAWA)	1	1	1
⊙ 8	3025418011	25418011	KEY COUNTER	1	1	1
9	35968110	35968110	STOPPER WIRE ASS'Y SP	2	2	2
10	302C968310	2C968310	MIRROR FRAME RETAINING SP	2	2	2

Ref. No.	Part.No.	Alternative.	Description	Quantity		
				120	230	240
101	5MBTPB3008PW++R	B1A63080	BIND T.T SCREW(+)/ M3 X 8 CRFREE P-T			
102	5MBTPB4010PW++R	B1A64100	BIND T.T SCREW(+)/ M4 X 10 CRFREE P-T			
103	5MBTPB4010TW++R	B1A54100	BIND T.T SCREW(+)/ M4 X 10 CRFREE S-T			
104	7BB003306H	BB040750	+COUNTER-SUNK HEAD SCREW M3X6 CR			
105	7BB100420H	BB040740	+BIND TAP-TITE S SCREW M4X20 CRFREE			
106	7BC1003055++H01	BC018230	HEXA NUT M3			
107	B1B03080	B1B03080	+BIND SCREW M3X08			
108	B1B54300	B1B54300	+BIND TAP-TITE S SCREW M4X30(TRIVAL			
109	B4A04060	B4A04060	+TP-A SCREW M4X06(TRIVALENT CHROM			
110	B4A04100	B4A04100	+TP-A SCREW M4X10(TRIVALENT CHROM			

- Parts with "\*" are component parts or sub-assemblies of the assembly appearing immediately above them.
- Parts with "⊙" indicate regular maintenance parts.

- Parts with "••" are component parts or sub-assembly with "•" appearing immediately above them.

FIG. 27 Maintenance Kits

Ref. No.	Part.No.	Alternative.	Description	Quantity		
				120	230	240
	1702K57US0	02K57US0	MK-671/MAINTENANCE KIT (OPTION)	1		
			•PULLEY,PAPER FEED	2		
			•PULLEY,SEPARATION	3		
			•PULLEY FEED A	3		
			•FILTER VOC B	1		
			•PARTS,DV-420,SP	1		
			•FILTER OZONE A	3		
			•PARTS DK-670	1		
			•PARTS TR-670	1		
			•PARTS HOLDER FILTER A SP	1		
			•PARTS FK-671(U)	1		
			•UPPER PULLEY,BYPASS	1		
	1702K58NL0	02K58NL0	MK-671/MAINTENANCE KIT (OPTION)		1	1
			•PULLEY,PAPER FEED		2	2
			•PULLEY,SEPARATION		3	3
			•PULLEY FEED A		3	3
			•FILTER VOC B		1	1
			•PARTS,DV-420,SP		1	1
			•FILTER OZONE A		3	3
			•PARTS DK-670		1	1
			•PARTS TR-670		1	1
			•PARTS HOLDER FILTER A SP		1	1
			•PARTS FK-671(E)		1	1
			•UPPER PULLEY,BYPASS		1	1

- Parts with "•" are component parts or sub-assemblies of the assembly appearing immediately above them.
- Parts with "⊙" indicate regular maintenance parts.

- Parts with "• •" are component parts or sub-assembly with "•" appearing immediately above them.

INDEX

2K5

	Part.No.	Alternative.	Description	Fig.No.
	1202H70UN0	022H70UN	PLATEN COVER TYPE(E)	24
	1702H00UN0	072H00UN	AK-670/ATTACHMENT KIT	25
	1702K57US0	02K57US0	MK-671/MAINTENANCE KIT (OPTION)	27
	1702K58NL0	02K58NL0	MK-671/MAINTENANCE KIT (OPTION)	27
	20305130	20305130	LABEL L,HIGH TEMPERATURE CAUTION(EXP)	5
⊙	28107310	49028101	BUSH 8	6,9,18
⊙	29415100	45729416	GEAR, TONER ROLLER	6
	29812291	29812291	CUSHION,CONTACT GLASS	10
⊙	2A068240	2A068240	WIRE,MAIN CHARGER	12
⊙	2AR07220	2AR07220	PULLEY,PAPER FEED	5
⊙	2AR07230	2AR07230	PULLEY,SEPARATION	5,6
	2AR07660	2AR07660	GUIDE FILM,SEPARATION PULLEY	5
	2AR27800	2AR27800	POWER CORD(230)	21
	2BC06520	2BC06520	BUSHING 6,REGISTRATION	5
	2BC06910	2BC06910	STOPPER 6	2,5,6,9
	2BC06980	2BC06980	STOPPER 5	4,6,9,10,16,18
	2BC12190	2BC12190	SPRING,MIRROR HOLDER	10
	2BG12430	2BG12430	STUD SCREW SC	25
	2BG22990	2BG22990	CUT WASHER 4	8
⊙	2BJ06010	2BJ06010	PULLEY FEED A	5,6
	2BL02150	2BL02150	MOUNT RIGHT HANDLE	2
⊙	2BL04310	2BL04310	PLATE NUMBER	3
⊙	2BL04370	2BL04370	PLATE NUMBER 2	3
	2BL05150	2BL05150	LABEL RADIATION	22
⊙	2BL06320	2BL06320	BELT CONVEYING	4
	2BL06330	2BL06330	GUIDE B FEED	4
	2BL06650	2BL06650	STAY LIFTPLATE	6
	2BL06680	2BL06680	CAM BYPASS	6
	2BL06690	2BL06690	MOUNT BYPASSDRIVE	6
⊙	2BL06720	2BL06720	GEAR 55/15	6
	2BL06730	2BL06730	ACTUATOR BYPASSFEED	7
	2BL06830	2BL06830	DIAL BYPASSFEED	7
	2BL06850	2BL06850	JOINT RETARD	6
	2BL06870	2BL06870	SPRING JOINTRETARD	6
	2BL06880	2BL06880	FILM BYPASS	6
	2BL06890	2BL06890	PLATE BYPASS HOLD	6
	2BL06990	2BL06990	STOPPER GEAR 8-25	6
	2BL07860	2BL07860	SPRING BYPASS	6
	2BL07900	2BL07900	PLATE LEADING FEED	5
	2BL07910	2BL07910	SUPPORT PLATE FEED	5
	2BL07990	2BL07990	SPRING SEPARATION	5
⊙	2BL16220	5AAVBRUSH036	BRUSH CLEANER	22
	2BL21450	2BL21450	PULLEY EXIT B	20
	2BL21510	2BL21510	CUT WASHER 6	16
⊙	2BL22350	2BL22350	BELT DRIVE FEED	15
⊙	2BL22550	2BL22550	GEAR Z40S-Z32S	15
⊙	2BL22580	2BL22580	COLLAR BELT	15
⊙	2C901060	2C901060	PCB EJECT SW ASSY	20
⊙	2C901170	2C901170	DISPOSAL SENSOR ASSY	12
	2C902080	2C902080	SPRING DEV PUSH	2

	Part.No.	Alternative.	Description	Fig.No.
	2C902170	2C902170	LEVER DEV PUSH	2
	2C902590	2C902590	SPRING DEV PUSH F	2
	2C904340	2C904340	SPRING LEFT INTERLOCK	19
	2C904350	2C904350	SPRING LEFT HOOK	19
	2C904550	2C904550	CUT WASHER 5	3,15,20,25
⊙	2C907130	2C907130	GEAR Z15 REGIST	9
⊙	2C907280	2C907280	TORQUE LIMITER 340	5
	2C912150	2C912150	RETAINER WIRE	10
	2C912220	2C912220	MOUNT PI	10
⊙	2C912250	2C912250	CONTACT GLASS	11
⊙	2C912280	2C912280	CONTACT GLASS ADF	11
⊙	2C912310	2C912310	GEAR Z18/39	10
⊙	2C912320	2C912320	GEAR Z36	10
	2C912350	2C912350	WIRE SCANNER BLACK	10
	2C912360	2C912360	WIRE SCANNER GRAY	10
	2C912420	2C912420	HOLDER GLASS DF	11
⊙	2C912430	2C912430	LID KMAS	1
	2C912610	2C912610	MOUNT RELEASE SWITCH	10
	2C912620	2C912620	GUIDE RELEASE SWITCH	10
	2C912640	2C912640	SHAFT RELEASE SWITCH	10
	2C912650	2C912650	SPRING RELEASE SWITCH	10
	2C912670	2C912670	SHIELD SCANNER FRAME	10
⊙	2C912700	2C912700	SPONGE ORIGINAL SIZE	11
	2C912710	2C912710	SHIELD SCANNER FRAME B	10
⊙	2C916070	2C916070	LEVER CONVEYING REAR	9
⊙	2C916080	2C916080	STOPPER BUSH REG	9
	2C916090	2C916090	GUIDE CONVEYING	9
⊙	2C916180	2C916180	GEAR Z15 REGIST	9
	2C916250	2C916250	COLLAR REGIST	9
⊙	2C917070	2C917070	HOUSING STA ELIMINATION	9
⊙	2C917110	2C917110	COLLAR TRANS	9
	2C917180	2C917180	BUSH TRANS ROLL F	9
	2C918360	2C918360	SPRING DETECTION	12
⊙	2C920180	2C920180	GEAR FUSER Z28	14
	2C920320	2C920320	SEAL DISCHAGER	14
⊙	2C920330	2C920330	BEARING PRESSURE	14
⊙	2C921120	2C921120	GEAR 23 EXIT	20
	2C921290	2C921290	SPRING LINK	20
	2C921400	2C921400	SHOULDER SCREW EXIT	19
⊙	2C922080	2C922080	GEAR 60	16
⊙	2C922150	2C922150	GEAR 26 DEV	15
⊙	2C922170	2C922170	COUPLING CONT P	16
⊙	2C922230	2C922230	GEAR 29 FIX JOINT	15
	2C922260	2C922260	SPRING CONT P	16
⊙	2C927020	2C927020	MOTOR EJECT	20
⊙	2C927210	2C927210	SENSOR 248NL1	6,7,8,10
⊙	2DA27020	2DA27020	FAN COOLING 50-10	9
	2DC12230	2DC12230	SLIDER SCANNER	10
	2FB06710	2FB06710	PIN CASSETTE RAIL	2
	2FB07050	2FB07050	PIN CURSOR	3

• Parts with "⊙" indicate regular maintenance parts.

	Part.No.	Alternative.	Description	Fig.No.		Part.No.	Alternative.	Description	Fig.No.
	2FB07060	2FB07060	SPRING CURSOR	3		302FG07260	2FG07260	LOWER HOUSING,PAPER FEED	5
⊙	2FB17260	2FB17260	BELT FEED HANDLE	20		302FG07271	2FG07271	WEIGHT,LEADING FEED PULLEY	5
	2FB20860	2FB20860	PIN FUSER COVER	6		302FG07290	2FG07290	ACTUATOR,PAPER EMPTY	5
⊙	2FB27160	2FB27160	INTER LOCK SWITCH	22		302FG07300	2FG07300	HOLDER,ACTUATOR	5
⊙	2FG01020	2FG01020	SIZE DETECTION ASS'Y	3,6		302FG07310	2FG07310	REINFORCEMENT PRIMARY PAPER FEED	5
	2FG06070	2FG06070	SPRING FEED JOINT	4		302FG07320	2FG07320	STOPPER,SUPPORT PLATE	5
⊙	2FG06110	2FG06110	PULLEY MIDDLE FEED	8		302FG07330	2FG07330	GROUND PLATE,PRIMARY PAPER FEED	5
	2FG17080	2FG17080	PLATE LEFT GUIDE	2		302FT20101	2FT20101	COVER PCB FIXING	14
	2FG27540	2FG27540	GASKET MULTIPOST B	23		302FT22200	2FT22200	SPACER COUPLING	15
	2FM04150	5MVM163DN005	CAP SPRING /B-11 ENCLOSURE A4	19,20		302FT22250	2FT22250	COUPLING DRUM 2	15
	2FT02200	2FT02200	RAIL DLP	2	⊙	302FT93053	2FT93053	PARTS,DV-420,SP	13
	2FT10040	2FT10040	GRID	12		302FZ02580	2FZ02580	CAP HANDLE	2
⊙	2FT17020	2FT17020	GEAR TRANSFER	9		302FZ03070	2FZ03070	RETAINING PIN DRAWER	5
	2FT17030	2FT17030	PLATE STA ELIMINATION	9		302FZ03110	2FZ03110	SEAL HANDLE	2
⊙	2FT22160	2FT22160	BEARING 6-15-17	15		302FZ32070	2FZ32070	COUPLING PAPER FEED	5
	3019527401	19527401	POWER CORD(120)	21	⊙	302GJ25560	2GJ25560	THERMISTOR FUSER	14
⊙	3025418011	25418011	KEY COUNTER	26		302GR02221	2GR02221	LEVER LOCK CASSETTE	2
	3029236241	29236241	SOCKET ASS'Y,KEY COUNTER	26		302GR02230	2GR02230	SPRING LEVER	2
⊙	302A369708	2A369708	SET PARTS KEYCOUNTER NEW COLOR	26		302GR02240	2GR02240	PIN FRONT CASSETTE RAIL	2
	302AR07041	2AR07041	SHAFT,WORK PLATE	3		302GR03010	2GR03010	RETAINER KEY COUNTER COVER	26
	302AR07252	2AR07252	SHAFT,PAPER FEED	5		302GR03020	2GR03020	RETAINER KEY COUNTER	26
	302AR07271	2AR07271	SHAFT,LEADING FEED	5		302GR04370	2GR04370	MAGNET CLIP DISH	1
⊙	302BC07861	2BC07861	TERMINAL,PAPER SIZE DETECTION	3,6	⊙	302GR04380	2GR04380	SEAL MAGNET	1
⊙	302BL04301	2BL04301	LID COVER LEFT	1		302GR05070	2GR05070	HANDLE OPE	23
	302BL06531	2BL06531	COVER BYPASSUNIT	6		302GR05080	2GR05080	CUSHION HANDLE A	23
	302BL06761	2BL06761	SHAFT BYPASSCAM	6		302GR05090	2GR05090	BUSH PIN OPE	23
	302BL06771	2BL06771	SHAFT BYPASS	6		302GR05120	2GR05120	MOUNT SLIDE	23
	302C912131	2C912131	ADJUSTING PLATE B	10		302GR05280	2GR05280	LENS POWER LED	23
	302C912291	2C912291	SPRING SCANNER TENSION	10		302GR05290	2GR05290	LENS LED	23
	302C912302	2C912302	MOTOR PLATE SCANNER	10		302GR06101	2GR06101	SHAFT SEPARATION	5
	302C968310	2C968310	MIRROR FRAME RETAINING SP	26		302GR06201	2GR06201	LEVER SEPARATION RELEASE	5
	302DA12070	2DA12070	SEAL SCANNER	2		302GR08060	2GR08060	MOUNT SIZE PWB	6
	302DC05120	2DC05120	LABEL CAUTION HG	1		302GR08071	2GR08071	RACK CURSOR	6
⊙	302F725070	2F725070	BUSH HEAT R	14		302GR09051	2GR09051	LEVER CASSETTE	3
⊙	302F725430	2F725430	STATIC ELIMINATOR HEAT ROLLER	14		302GR09120	2GR09120	SPRING LEVER CASSETTE	3
⊙	302F925430	2F925430	THERMISTOR ASSY	14		302GR09130	2GR09130	SHAFT PULLEY	3
⊙	302FB05200	2FB05200	PLATE SIZE C	3		302GR09140	2GR09140	SHAFT HANDLE	3
⊙	302FB05210	2FB05210	PLATE SIZE IN	3		302GR09160	2GR09160	STOPPER PAPER	3
⊙	302FB05380	2FB05380	LABEL VFEED CAUTION	19	⊙	302GR09201	2GR09201	PLATE SIZE INCH	3
	302FB07032	2FB07032	LEVER CURSOR A	3		302GR09210	2GR09210	SEAL DETECTION PLATE	3
	302FB07042	2FB07042	LEVER CURSOR B	3		302GR09220	2GR09220	PIN CURSOR	3
	302FB07420	2FB07420	PIN CASSETTE	3		302GR09250	2GR09250	FILM PWB COVER	3
	302FB11160	2FB11160	BEARING MF128ZZ	10		302GR09991	2GR09991	LIFT LOCK	3
⊙	302FB25052	2FB25052	HEATER DEHUMIDIFIER 120	5		302GR17180	2GR17180	PIN SCANNER RETAINING	11
⊙	302FB25061	2FB25061	HEATER DEHUMIDIFIER 240	5		302GR17400	2GR17400	FILM LAMP	10
	302FB26290	2FB26290	LID VENDOR	21		302GR17820	2GR17820	PULLEY SCANNER	10
⊙	302FG07020	2FG07020	PULLEY,CASSETTE RAIL	2		302GR22110	2GR22110	COLLAR TRANS ROLLER	8,9
	302FG07033	2FG07033	LEFT RAIL CASSETTE	2	⊙	302GR33090	2GR33090	FILTER VOC B	1
	302FG07070	2FG07070	BUSHING,PRIMARY PAPER FEED	5		302GR34050	2GR34050	LABEL JAM A1	7
	302FG07253	2FG07253	UPPER HOUSING,PAPER FEED	5		302GR34060	2GR34060	LABEL JAM A2	7

• Parts with "⊙" indicate regular maintenance parts.



	Part.No.	Alternative.	Description	Fig.No.		Part.No.	Alternative.	Description	Fig.No.
	302GR34070	2GR34070	LABEL JAM A3	7		302H002380	2H002380	SHIELD SCREW	2,10,15,21
	302GR34290	2GR34290	LABEL F1	17	⊙	302H004060	2H004060	COVER TRAY	1
	302GR39131	2GR39131	HOUSING LED PWB	22	⊙	302H004070	2H004070	COVER TRAY REAR	1
	302GR39190	2GR39190	COVER CONN	22	⊙	302H004090	2H004090	COVER EJECT UPPER	1
⊙	302GR44010	2GR44010	FAN OPE 40-10	22	⊙	302H004101	2H004101	COVER FRONT TOP	1
⊙	302GR44050	2GR44050	FAN CONTROLLER 80-15	21	⊙	302H004110	2H004110	COVER LEFT FRONT	1
⊙	302GR44112	2GR44112	MOTOR LIFT	5	⊙	302H004120	2H004120	COVER LEFT REAR	1
⊙	302GR44120	2GR44120	CLUTCH FEED	6	⊙	302H004130	2H004130	COVER LEFT MIDDLE	1
⊙	302GR44131	2GR44131	CLUTCH FEED B	6		302H004210	2H004210	COVER INNER LOW	22
⊙	302GR44160	2GR44160	SOLENOID FEED SHIFT	20		302H004220	2H004220	COVER BASE DISH	1
	302GR46160	2GR46160	WIRE FINISHER SOCKET	21	⊙	302H004230	2H004230	CLIP DISH	1
	302GR46230	2GR46230	WIRE BYPASS UNIT	6	⊙	302H004241	2H004241	COVER MAIN SW	1
	302GR46270	2GR46270	WIRE BYPASS TRAY	6		302H004260	2H004260	MOUNT COVER HINGE A	2
	302GR46431	2GR46431	WIRE PRIMARY FEED UNIT1	5		302H004270	2H004270	HINGE FRONT COVER A	1
	302GR46450	2GR46450	WIRE CASSETTE UNIT	3		302H004280	2H004280	PIN HINGE A	1
	302H000011	2H000011	SCANNER FRAME ASSY	10		302H004290	2H004290	MOUNT COVER HINGE B	2
⊙	302H001170	2H001170	CONT SENSOR ASS'Y	17		302H004300	2H004300	HINGE FRONT COVER B	1
⊙	302H001230	2H001230	OPERATION UPPER PWB ASS'Y	23		302H004310	2H004310	PIN HINGE B	1
⊙	302H001240	2H001240	OPERATION FRONT PWB ASS'Y	22		302H004320	2H004320	MOUNT INTERLOCK SW	22
	302H002040	2H002040	SPACER LSU	2		302H004330	2H004330	MOUNT SPEAKER	22
	302H002050	2H002050	LOWER PLATE MPF	2		302H004340	2H004340	STRAP LEFT COVER	19
	302H002060	2H002060	LOWER PLATE LSU	2		302H004380	2H004380	HOOK LEFT COVER F	19
	302H002070	2H002070	UPPER PLATE DRUM	2		302H004390	2H004390	HOOK LEFT COVER R	19
	302H002080	2H002080	LOWER PLATE DLP	2		302H004400	2H004400	JUNCTION PLATE HOOK	19
	302H002090	2H002090	PLATE FUSER GUIDE	2		302H004410	2H004410	SHAFT HOOK	19
	302H002100	2H002100	PLATE FRONT LEFT	2		302H004421	2H004421	GUIDE LEFT COVER	19
	302H002110	2H002110	SPACER DRUM	2		302H004430	2H004430	PIN LEFT COVER HOOK F	19
	302H002120	2H002120	MOUNT HANDLE FRONT LEFT	2		302H004451	2H004451	MOUNT LEFT INTERLOCK SW	19
	302H002130	2H002130	PLATE POSITION A	2		302H004461	2H004461	ARM LEFT INTERLOCK SW	19
	302H002140	2H002140	PLATE POSITION B	2		302H004470	2H004470	LEFT COVER MIDDLE	19
	302H002150	2H002150	PLATE EXIT FRONT	2		302H004490	2H004490	MOUNT STRAP F	19
	302H002161	2H002161	BASE SCANNER UNIT	2		302H004500	2H004500	MOUNT STRAP R	19
	302H002180	2H002180	MOUNT SCANNER UNIT L	2		302H004510	2H004510	PLATE LEFT COVER MIDDLE	19
	302H002190	2H002190	PLATE RIGHT TOP	2		302H004520	2H004520	COVER INNER TOP	22
	302H002200	2H002200	PLATE RIGHT MIDDLE	2		302H004530	2H004530	LEVER CONT RELEASE	22
	302H002210	2H002210	PLATE POSITION C	2		302H004540	2H004540	SPRING CONT RELEASE	22
	302H002220	2H002220	HOLDER DLP RAIL	2	⊙	302H004550	2H004550	CAP MOUNT DP	11
	302H002230	2H002230	PLATE POSITION D	2		302H004560	2H004560	STOPPER PAPER	1
	302H002250	2H002250	RUBBER BASE	2		302H004570	2H004570	MOUNT REAR COVER L	1
	302H002260	2H002260	SHIELD HEATER DRUM	22		302H004581	2H004581	MOUNT REAR COVER R	1
	302H002280	2H002280	SPRING ISU LOW	2	⊙	302H004610	2H004610	COVER LEFT SEPARATE	19
	302H002290	2H002290	FILM PROTECT A	21	⊙	302H004620	2H004620	COVER OZONE FILTER	19
	302H002300	2H002300	FILM PROTECT B	2		302H004630	2H004630	PLATE LEFT COVER LOW	19
	302H002310	2H002310	ADJUSTOR SCANNER	2		302H004640	2H004640	PLATE EARTH LEFT COVER	19
	302H002320	2H002320	MOUNT RUBBER SCANNER	2		302H004650	2H004650	HOLDER SWITCH	1
	302H002331	2H002331	LOWER LEFT REINFORCE	2	⊙	302H004660	2H004660	MAGNET CATCH	1
	302H002340	2H002340	LOWER RIGHT REINFORCEMENT	2	⊙	302H004670	2H004670	PLATE EARTH LEFT COVER B	19
	302H002350	2H002350	MOUNT REAR COVER A	2	⊙	302H004690	2H004690	COVER CASS HEATER	1
	302H002360	2H002360	GROUND SCANNER	2	⊙	302H004710	2H004710	GUIDE WIRE FRONT	12
	302H002371	2H002371	SHIELD LSU LOW	2	⊙	302H004720	2H004720	SUPPORT COVER LEFT	2

• Parts with "⊙" indicate regular maintenance parts.

	Part.No.	Alternative.	Description	Fig.No.		Part.No.	Alternative.	Description	Fig.No.
	302H004760	2H004760	LID INNER COVER	22	⊙	302H006080	2H006080	GEAR Z31S-P18 FEED	4
⊙	302H004770	2H004770	COVER FRONT LEFT LOW	1		302H006090	2H006090	SPRING GUIDE VERTICAL	4
⊙	302H004780	2H004780	COVER FRONT LEFT MIDDLE	1	⊙	302H006100	2H006100	GEAR Z30S VERTICAL IDLE	4
	302H004800	2H004800	COVER OP WIRE	21	⊙	302H006110	2H006110	GEAR Z20S JOINT FEED A	4
	302H005030	2H005030	BASE OPERATION	23	⊙	302H006120	2H006120	GEAR Z20S JOINT FEED B	4
	302H005041	2H005041	MOUNT HANDLE OPE	23		302H006130	2H006130	PLATE FEED DRIVE	15
	302H005051	2H005051	HINGE OPE LEFT	23		302H006140	2H006140	BRACKET GEAR JOINT FEED	5
	302H005061	2H005061	HINGE OPE RIGHT	23	⊙	302H006150	2H006150	GEAR Z22S FEED	15
	302H005070	2H005070	SPRING HINGE OPE L	23	⊙	302H006160	2H006160	GEAR Z21S-Z28S FEED	15
	302H005080	2H005080	SPRING HINGE OPE R	23	⊙	302H006170	2H006170	GEAR Z34S-Z23S FEED	15
	302H005091	2H005091	MOUNT LCD	23	⊙	302H006180	2H006180	GEAR Z25S FEED C	5
	302H005110	2H005110	HOLDER LCD B	23	⊙	302H006190	2H006190	SHAFT PRIMARY FEED	5
⊙	302H005130	2H005130	KEY START	23		302H006200	2H006200	STRAP VERTICAL COVER	4
⊙	302H005140	2H005140	KEY STOP	23	⊙	302H006210	2H006210	COVER LEFT FEED	4
⊙	302H005150	2H005150	KEY RESET	23	⊙	302H006230	2H006230	GEAR Z25S FEED CLUTCH	15
⊙	302H005181	2H005181	KEY SAVER	23		302H006240	2H006240	HOLDER FEED CLUTCH	5
⊙	302H005191	2H005191	KEY ACCESS	23	⊙	302H006250	2H006250	GEAR Z60S FEED	15
⊙	302H005200	2H005200	KEY LOG OUT	23		302H006260	2H006260	PLATE MPF DRIVE A	15
⊙	302H005210	2H005210	KEY HELP	23	⊙	302H006270	2H006270	GEAR Z41S FEED	15
⊙	302H005220	2H005220	KEY COUNTER	23		302H006280	2H006280	PLATE MPF DRIVE B	15
⊙	302H005230	2H005230	KEY SYSTEM	23		302H006300	2H006300	HOLDER FEED SWITCH	4,18
⊙	302H005250	2H005250	KEY SEND	23	⊙	302H006310	2H006310	GEAR Z60S-Z35S FEED	15
⊙	302H005260	2H005260	KEY DOCUMENT	23	⊙	302H006320	2H006320	GEAR Z41S-P30 FEED	15
	302H005300	2H005300	LENS KEY A	23		302H006340	2H006340	MOUNT FEED DRAWER	5
	302H005310	2H005310	LENS KEY B	23		302H006350	2H006350	SPRING FEED	4
	302H005320	2H005320	MOUNT SLIDE LEFT	23		302H006360	2H006360	SPRING EARTH SW	4
	302H005340	2H005340	BUSH SLIDE OPE	23		302H006370	2H006370	MOUNT CASSETTE SWITCH	5
	302H005350	2H005350	PIN HINGE OPE	23		302H006380	2H006380	COVER VERTICAL INNER	4
	302H005360	2H005360	PLATE GROUND BASE OPE	23		302H006390	2H006390	PLATE VERTICAL JOINT A	4
	302H005370	2H005370	PLATE GROUND MOUNT OPE	23		302H006400	2H006400	PIN VERTICAL	4
	302H005610	2H005610	SPONGE LCD	23		302H006410	2H006410	PLATE EARTH VERTICAL	4
	302H005620	2H005620	SPRING EARTH LCD	23		302H006420	2H006420	SPRING COVER HOOK	4
⊙	302H005630	2H005630	KEY STATUS	23		302H006430	2H006430	SPRING EARTH PI	4
⊙	302H005640	2H005640	KEY PROGRAM	23		302H006440	2H006440	FILM VERTICAL FEED	4
⊙	302H005650	2H005650	KEY APPLICATION	23		302H008011	2H008011	GUIDE MPF FEED	7
	302H005661	2H005661	SPRING USB HOST	23		302H008020	2H008020	BASE MPF FEED	7
	302H005670	2H005670	FILM LCD WIRE	23		302H008050	2H008050	GROUND PLATE MPF	7
	302H005680	2H005680	FILM GUIDE FFC	23		302H008080	2H008080	RAIL MPF FEED	7
	302H005690	2H005690	PIN HINGE OPE C	23		302H008090	2H008090	PULLEY RAIL MPF FEED	7
⊙	302H005731	2H005731	SHEET OPE SET C	23		302H008140	2H008140	SPRING BYPASSFFED	7
⊙	302H005741	2H005741	SHEET OPE SET D	23		302H008170	2H008170	COLLER MPF	7
⊙	302H005752	2H005752	SHEET OPE SET E	23		302H008180	2H008180	CUT WASHER MPF 5	6,7
⊙	302H005761	2H005761	SHEET OPE SET F	23		302H008200	2H008200	SHAFT MPF FEED SIDE	7
⊙	302H005771	2H005771	SHEET OPE SET G	23	⊙	302H008220	2H008220	PULLEY 15 MPF FEED	7
⊙	302H005781	2H005781	SHEET OPE SET H	23		302H008240	2H008240	SPRING BYPASS	7
⊙	302H005791	2H005791	SHEET OPE SET I	23	⊙	302H008250	2H008250	PULLEY MPF Z25	7
	302H005A00	2H005A00	CUSHION OPE FAN	23		302H008260	2H008260	GEAR MPF Z30	7
	302H006012	2H006012	FRAME VERTICAL FEED	4	⊙	302H008281	2H008281	SPRING BYPASSFEED 2	7
	302H006041	2H006041	GUIDE VERTICAL	4		302H008290	2H008290	SPRING RETARD	6
	302H006050	2H006050	PLATE VERTICAL DRIVE	4		302H008320	2H008320	STAY MPF	7

• Parts with "⊙" indicate regular maintenance parts.

	Part.No.	Alternative.	Description	Fig.No.		Part.No.	Alternative.	Description	Fig.No.
	302H008330	2H008330	CUSHION MPF	6		302H017370	2H017370	GROUND FFC	10
	302H008340	2H008340	FILM UPPER GUIDE	7		302H017600	2H017600	COVER ISU	10
	302H008420	2H008420	STAY GUIDE MPF UPPER	2,7		302H017660	2H017660	TAPE CCD	10
	302H009070	2H009070	WORK PLATE LIFT CASSETTE	3		302H017670	2H017670	TAPE CCD B	23
	302H009101	2H009101	BASE CASSETTE	3		302H019020	2H019020	COVER LSU	11
	302H009110	2H009110	CURSOR C CASSETTE	3	⊙	302H022010	2H022010	ROLLER TRANSFER	9
	302H009120	2H009120	PLATE CASSETTE EARTH	3		302H022021	2H022021	GUIDE TRANS LEFT	9
	302H009140	2H009140	SHIELD PF	5		302H022030	2H022030	GUIDE TRANS RIGHT	9
	302H012010	2H012010	GUIDE DRUM SHUTTER	12		302H022040	2H022040	TERMINAL PLATE TRANS	9
	302H012020	2H012020	LEFT HOLDER SHEET	12		302H022050	2H022050	TERMINAL PLATE STA	9
	302H012030	2H012030	RIGHT HOLDER SHEET	12		302H022071	2H022071	SPRING TRANS ROLL F	9
	302H012040	2H012040	SPRING DRUM SHUTTER	12		302H022080	2H022080	SPRING TRANS ROLL R	9
	302H012050	2H012050	STRAP DRUM SHUTTER	12		302H022090	2H022090	SPRING TRANS GUIDE	9
	302H012060	2H012060	FRONT ARM DRUM SHUTTER	12		302H022100	2H022100	BUSH TRANS GUIDE	9
	302H012070	2H012070	REAR ARM DRUM SHUTTER	12		302H022110	2H022110	SHEET TRANS GUIDE LEFT	9
	302H012080	2H012080	SHEET DRUM SHUTTER	12		302H022120	2H022120	SHEET TRANS GUIDE RIGHT	9
	302H012090	2H012090	FRONT RAIL DRUM SHUTTER	12		302H022130	2H022130	HOLDER SPRING TRANS	9
	302H012100	2H012100	REAR RAIL DRUM SHUTTER	12	⊙	302H022140	2H022140	REINFORCEMENT TRANS	9
	302H012111	2H012111	FRONT RAIL LINK ARM	12		302H022150	2H022150	CUSHION TRANS GUIDE	9
	302H012120	2H012120	REAR RAIL LINK ARM	12	⊙	302H022160	2H022160	BUSH TRANSFER	9
	302H012130	2H012130	GUIDE STRAP	12	⊙	302H024020	2H024020	ROLLER REGIST RIGHT	9
	302H012170	2H012170	HOLDER SENSOR	12		302H024040	2H024040	FRAME CONVEYING	9
	302H012180	2H012180	DETECTION PLATE	12		302H024050	2H024050	BASE MID FEED LOW	8
	302H012330	2H012330	SEAL WIRE A	12		302H024060	2H024060	BASE MID FEED UPPER	8
⊙	302H014070	2H014070	GEAR HOPPER MOTOR	13		302H024073	2H024073	GUIDE MID FEED	8
⊙	302H014080	2H014080	GEAR Z50S HOPPER	13		302H024080	2H024080	PLATE MID FEED	8
⊙	302H014181	2H014181	GUIDE MIDDLE HOPPER	2		302H024090	2H024090	SHAFT MID FEED	4,9,18
	302H014190	2H014190	COVER WIRE HOPPER	13		302H024100	2H024100	SPRING ACTUATOR	8
	302H017050	2H017050	MIRROR FRAME A	10	⊙	302H024110	2H024110	GEAR FEED Z29S	8
	302H017060	2H017060	MIRROR FRAME B	10	⊙	302H024120	2H024120	GEAR FEED Z36SZ24S	8
	302H017070	2H017070	GUIDE LAMP WIRE A	10		302H024130	2H024130	ACTUATOR MID FEED	8
	302H017080	2H017080	GUIDE LAMP WIRE B	10		302H024140	2H024140	ACTUATOR REGIST	8
	302H017090	2H017090	GUIDE LAMP WIRE C	10		302H024150	2H024150	PLATE MID FEED PI	8
	302H017100	2H017100	REFLECTOR SCANNER	10		302H024160	2H024160	PLATE REG SW	8
	302H017120	2H017120	PULLEY LEFT FRAME	10		302H024170	2H024170	SHAFT CONVEYING	9
	302H017130	2H017130	MOUNT PULLEY	10		302H024180	2H024180	SHAFT CONVEYING HOOK	9
	302H017141	2H017141	MOUNT INVERTER	10		302H024190	2H024190	HOOK CONVEYING F	9
	302H017170	2H017170	MOUNT DF	10	⊙	302H024200	2H024200	GEAR FEED Z30S CLUTCH	8
	302H017180	2H017180	PULLEY SCANNER	10		302H024210	2H024210	GROUND PLATE REG	9
	302H017190	2H017190	SHAFT DRIVE	10		302H024220	2H024220	SPRING GUIDE MID FEED	8
	302H017210	2H017210	GUIDE CCD WIRE	10		302H024230	2H024230	SHAFT PULLEY FEED	8
	302H017230	2H017230	LID GUIDE WIRE C	10	⊙	302H024240	2H024240	SPONGE CLEANER REG	1,8
	302H017250	2H017250	TAPE REFLECTOR	10		302H024250	2H024250	FILM GUIDE REGIST F	9
⊙	302H017260	2H017260	BELT SCANNER	10		302H024260	2H024260	FILM GUIDE REGIST R	9
	302H017290	2H017290	SPRING SCANNER A	10		302H024270	2H024270	FILM GUIDE DU	9
	302H017300	2H017300	SPRING SCANNER B	10		302H024281	2H024281	GUIDE CONVEYING LOW	9
	302H017310	2H017310	GROUND SCANNER REAR	10		302H024290	2H024290	GROUND PLATE FAN	9
	302H017320	2H017320	GROUND SCANNER FRONT	10		302H024300	2H024300	SPRING CONVEYING	9
	302H017330	2H017330	HOLDER CCD WIRE	10		302H024310	2H024310	PLATE FAN CONVEYING	9
	302H017360	2H017360	GROUND ISU COVER	10		302H024321	2H024321	SPRING REGIST F	9

• Parts with "⊙" indicate regular maintenance parts.

	Part.No.	Alternative.	Description	Fig.No.		Part.No.	Alternative.	Description	Fig.No.
	302H024331	2H024331	SPRING REGIST R	9	⊙	302H025290	2H025290	SPRING FUSER	14
	302H024340	2H024340	SPRING CONVEYING FEED	9		302H025300	2H025300	SPONGE FUSER TL	14
	302H024350	2H024350	MOUNT CLEANER REG	8		302H025310	2H025310	SPRING PRESSURE	14
	302H024360	2H024360	BUSH 8 EW	4,7,9,16,18	⊙	302H025320	2H025320	THERMOSTAT 190 FUSER	14
	302H024370	2H024370	BUSH 6 EW	16	⊙	302H025330	2H025330	BUSH HEAT F	14
	302H024380	2H024380	PLATE GROUND SHAFT	8	⊙	302H027010	2H027010	ROLLER FINISH UP	25
	302H024391	2H024391	PLATE GROUND ROLLER	8	⊙	302H027020	2H027020	ROLLER FINISH LOW	25
⊙	302H024400	2H024400	GEAR FEED Z35SZ23S	8	⊙	302H027031	2H027031	COVER LEFT OP	25
	302H024410	2H024410	COVER DRIVE MID FEED	16		302H027040	2H027040	GUIDE COVER	25
	302H024420	2H024420	SHAFT LOCK MPF	9		302H027050	2H027050	GUIDE SEPARATE FIN	25
	302H024430	2H024430	MOUNT LOCK SHAFT	9		302H027060	2H027060	ARM SEPARATE FIN	25
	302H024440	2H024440	PLATE GROUND MID FEED	9	⊙	302H027090	2H027090	GEAR EXIT FIN 17	25
	302H024450	2H024450	PLATE GROUND REG SW	8	⊙	302H027100	2H027100	GEAR EXIT FIN 14	25
	302H024460	2H024460	FILM GUIDE MID FEED	8		302H027110	2H027110	FRONT PLATE FIN	25
	302H024470	2H024470	FILM GUIDE REG	8		302H027121	2H027121	REAR PLATE FIN	25
	302H024500	2H024500	COVER DU WIRE	18		302H027131	2H027131	PLATE SEP FIN	25
	302H024510	2H024510	STOPPER SHUTTER	18		302H027150	2H027150	GUIDE INSERT	25
	302H024530	2H024530	SPRING LOCK SHAFT	9		302H028011	2H028011	FRAME EXIT UPPER	20
	302H024541	2H024541	PIN LOCK MPF	9		302H028040	2H028040	ACTUATOR EXIT INNER	20
	302H024550	2H024550	SPRING LOCK PIN	9		302H028050	2H028050	ACTUATOR EXIT FEED	20
	302H024561	2H024561	GROUND CONVEYING PLATE	2	⊙	302H028070	2H028070	PULLEY EJECT T32	20
	302H024600	2H024600	SPRING ACTUATOR LOWER	8		302H028091	2H028091	GUIDE SEPARATE INNER	20
⊙	302H024610	2H024610	SPONGE CONVEYING FAN	9		302H028101	2H028101	LEVER LINK	20
	302H024622	2H024622	SHAFT PULLEY MID FEED	8		302H028120	2H028120	ARM LINK	20
	302H024630	2H024630	SPRING CONVEYING R	9		302H028150	2H028150	PLATE EXIT A	20
	302H024650	2H024650	FILM GUIDE HARNESS	8		302H028160	2H028160	PLATE EXIT B	20
	302H024680	2H024680	CUT WASHER 8	9	⊙	302H028170	2H028170	GEAR EXIT FEED 21	20
	302H024691	2H024691	FILM CONVEYING LOW	9	⊙	302H028180	2H028180	GEAR EXIT FEED 17	20
	302H024700	2H024700	SPONGE MID FEED GUIDE	9	⊙	302H028190	2H028190	GEAR EXIT FEED 13	20
	302H024721	2H024721	SPRING CONTACT DU	19		302H028200	2H028200	PLATE EXIT JOINT	20
	302H024730	2H024730	TAPE CONVEYING SEP	9		302H028210	2H028210	SPRING EXIT JOINT	20
	302H024780	2H024780	PULLEY ONEWAY C ASSY	8		302H028220	2H028220	LINK SOLENOID	20
	302H024790	2H024790	PULLEY MID FEED C ASSY	8		302H028230	2H028230	PULLEY EXIT FEED	20
	302H024810	2H024810	COLLAR JOINT MID C	8		302H028250	2H028250	GROUND PLATE EXIT A	20
	302H025012	2H025012	RIGHT FRAME FUSER	14		302H028260	2H028260	GROUND PLATE EXIT B	20
	302H025022	2H025022	LEFT FRAME FUSER	14	⊙	302H028280	2H028280	PLATE EXIT DRIVE	20
⊙	302H025030	2H025030	GEAR FUSER Z46	14		302H028290	2H028290	GEAR EXIT 73/21	20
	302H025040	2H025040	FRONT GUIDE FUSER	14		302H028300	2H028300	PLATE ARM LINK	20
	302H025050	2H025050	REAR GUIDE FUSER	14		302H028310	2H028310	GUIDE SEPARATE FEED	19,25
	302H025060	2H025060	COVER HEATER F	14		302H028320	2H028320	PULLEY SEP FEED	19
	302H025070	2H025070	COVER HEATER R	14		302H028331	2H028331	GUIDE EXIT LOWER	19
	302H025090	2H025090	GROUND PLATE HEAT R	14		302H028340	2H028340	GUIDE DU	19
	302H025150	2H025150	GROUND PLATE PRESS A	14		302H028350	2H028350	ARM SEPARATE FEED A	19,25
	302H025160	2H025160	GROUND PLATE PRESS B	14		302H028360	2H028360	ARM SEPARATE FEED B	19,25
	302H025180	2H025180	PLATE HOLDER	14		302H028370	2H028370	SPRING SEPARATE FEED	18,25
	302H025190	2H025190	FRONT PRESSING PLATE	14		302H028380	2H028380	PLATE EXIT FEED	19
	302H025200	2H025200	REAR PRESSING PLATE	14		302H028390	2H028390	SPRING GUIDE DU	19
	302H025210	2H025210	SPACER FUSER	14		302H028400	2H028400	SHAFT SEP FEED	18,20
	302H025220	2H025220	PLATE FUSER SPACER	14		302H028410	2H028410	SPRING EXIT FEED	19,20
	302H025250	2H025250	COVER FUSER UNIT	14		302H028510	2H028510	HOLDER SEP FEED	19

• Parts with "⊙" indicate regular maintenance parts.

	Part.No.	Alternative.	Description	Fig.No.		Part.No.	Alternative.	Description	Fig.No.
	302H028520	2H028520	SPRING ACTUATOR INNER	20		302H031330	2H031330	SPRING DRUM COUPLING	15
	302H028540	2H028540	SPRING SOLENOID	20		302H031340	2H031340	SHAFT COUPLING	15
	302H028560	2H028560	REAR PLATE SEP	19		302H031350	2H031350	SHAFT CONT	16
	302H028570	2H028570	PULLEY EXIT	20		302H031360	2H031360	HOLDER MOTOR	15,16
⊙	302H028580	2H028580	FILM EXIT	20		302H031370	2H031370	GUIDE SHAFT DEV	15
	302H028590	2H028590	PLATE GUIDE DU	19	⊙	302H031380	2H031380	GEAR Z33S CONT C	16
	302H028630	2H028630	FILM EXIT C	20	⊙	302H031390	2H031390	GEAR Z33S CONT D	16
	302H028660	2H028660	FRAME EXIT LOWER A	20	⊙	302H031400	2H031400	TORQUE LIMITER 4000	16
	302H029011	2H029011	FRAME DU	18		302H031410	2H031410	SPRING FUSER JOINT	15
	302H029020	2H029020	GROUND PLATE DU	18		302H033031	2H033031	DUCT PLATE	17
⊙	302H029030	2H029030	BELT DU 254	18		302H033040	2H033040	DUCT BOTTOM	17
	302H029060	2H029060	SPRING DU FEED	18	⊙	302H033050	2H033050	HOLDER FILTER A	17
⊙	302H029070	2H029070	GEAR Z25S	18		302H033060	2H033060	FILTER DUST A	17
	302H029080	2H029080	PLATE DU DRIVE	18		302H033080	2H033080	DUCT REAR LOWER	17
	302H029090	2H029090	SPRING DU DRIVE	18		302H033090	2H033090	DUCT REAR UPPER	17
	302H029100	2H029100	JUNCTION PLATE DU	18		302H033100	2H033100	DUCT LID G	17
⊙	302H029110	2H029110	PULLEY 26 DU	18		302H033120	2H033120	DUCT LID J	17
	302H029130	2H029130	GROUND DUPLEX PI	18		302H033130	2H033130	DUCT REAR B LOWER	17
	302H029140	2H029140	PLATE CONTACT CONVEYING	18		302H033140	2H033140	DUCT REAR B UPPER	17
	302H031010	2H031010	BASE MAIN DRIVE	15		302H033160	2H033160	SHEET DUCT	17
	302H031021	2H031021	MOUNT DRIVE DRUM	15		302H033170	2H033170	FILTER OZONE A	19
	302H031030	2H031030	MOUNT FEED DRIVE	16		302H033190	2H033190	SPONGE REAR FAN	17
	302H031041	2H031041	BASE FEED DRIVE	16		302H033210	2H033210	SPONGE SEAL A	11
⊙	302H031050	2H031050	GEAR Z24H-Z35S FEED	16		302H033220	2H033220	SPONGE SEAL B	22
⊙	302H031060	2H031060	GEAR Z23H FEED B	16		302H033230	2H033230	FILM SEAL C	22
⊙	302H031080	2H031080	GEAR Z60H-Z30H FEED	16		302H033240	2H033240	SHEET FRAME LOW	11
⊙	302H031090	2H031090	GEAR Z90H-Z36H	15		302H034050	2H034050	LABEL VERTICAL COVER	4
⊙	302H031100	2H031100	GEAR Z95H-Z41S FEED	16		302H034070	2H034070	LABEL PAPER SET	3
⊙	302H031110	2H031110	GEAR Z40H-Z27H	15		302H034130	2H034130	LABEL HIGH TEMP	19
⊙	302H031120	2H031120	GEAR Z35S DU	16	⊙	302H034210	2H034210	LABEL PAPER UPPER LIMIT	3
⊙	302H031130	2H031130	GEAR Z30H	15		302H039050	2H039050	MOUNT HDD	22
⊙	302H031140	2H031140	GEAR Z152H	15		302H039061	2H039061	BASE TERMINAL MAIN	21
⊙	302H031150	2H031150	GEAR Z41S FEED MAIN	16		302H039070	2H039070	BASE TERMINAL TRANSFER	21
⊙	302H031160	2H031160	GEAR Z50S	15		302H039080	2H039080	TERMINAL MAIN	21
⊙	302H031170	2H031170	GEAR Z25H DEV	15		302H039090	2H039090	TERMINAL TRANSFER	21
⊙	302H031180	2H031180	GEAR Z89H-Z24S	15		302H039100	2H039100	TERMINAL SEPARATION	21
⊙	302H031190	2H031190	GEAR Z25H	15		302H039110	2H039110	TERMINAL DLP	21
	302H031200	2H031200	SHAFT FEED	16		302H039120	2H039120	MOUNT POWER PWB	21
⊙	302H031210	2H031210	GEAR Z22H-Z24S FEED	16		302H039160	2H039160	MOUNT HV PWB	21
	302H031220	2H031220	SHAFT DU	16		302H039170	2H039170	MOUNT INLET	21
⊙	302H031230	2H031230	GEAR Z43S	15		302H039180	2H039180	MOUNT OPTION I/F	21
⊙	302H031240	2H031240	GEAR Z55H-Z30S	15		302H039190	2H039190	TERMINAL TRANSFER R	21
⊙	302H031250	2H031250	GEAR Z30S FEED	16		302H039200	2H039200	TERMINAL SEPARATION R	21
⊙	302H031260	2H031260	GEAR Z33S CONT	16		302H039210	2H039210	LID HV TERMINAL	21
⊙	302H031270	2H031270	GEAR Z23H FEED	16		302H039230	2H039230	GUIDE WIRE R	21,22
⊙	302H031280	2H031280	GEAR Z30S DPX	16		302H039240	2H039240	GUIDE WIRE L	21
	302H031290	2H031290	BASE CONT DRIVE	16		302H039260	2H039260	MOUNT MAIN SW	21
	302H031300	2H031300	MOUNT CONT DRIVE	16		302H039270	2H039270	LID WIRE GUIDE	21,22
⊙	302H031310	2H031310	GEAR Z26S DU	16		302H039330	2H039330	GROUND REAR COVER	17
	302H031320	2H031320	POSITIONING BUSH DRUM	15	⊙	302H044100	2H044100	SWITCH BYPASS SIZE	6

• Parts with "⊙" indicate regular maintenance parts.

	Part.No.	Alternative.	Description	Fig.No.		Part.No.	Alternative.	Description	Fig.No.
⊙	302H044110	2H044110	SENSOR ORIGINAL	10	⊙	302H094271	2H094271	PARTS, TABLET OPERATION, SP	23
⊙	302H044120	2H044120	FAN COOLING 40-15	17	⊙	302H094280	2H094280	PARTS, LAMP INVERTER, SP	10
	302H046140	2H046140	WIRE EJECT UNIT	20	⊙	302H094290	2H094290	PARTS, LCD INVERTER, SP	23
	302H046210	2H046210	WIRE CONVEYING UNIT	4	⊙	302H094300	2H094300	PARTS, HUMIDITY SENSOR, SP	22
	302H046260	2H046260	WIRE HVU	22	⊙	302H094320	2H094320	PARTS DC MOTOR SP	13
	302H046350	2H046350	WIRE MIDDLE FEED	8	⊙	302H094360	2H094360	PARTS ROLLER EXIT FEED SP	20
	302H046370	2H046370	WIRE DU	18	⊙	302H094370	2H094370	PARTS ROLLER EXIT INNER SP	20
	302H046410	2H046410	WIRE DH JUNCTION	22	⊙	302H094380	2H094380	PARTS DUPLEX A SP	18
	302H046420	2H046420	WIRE FUSER PRIMARY	14	⊙	302H094390	2H094390	PARTS DUPLEX B SP	18
	302H046430	2H046430	WIRE RESIST	8	⊙	302H094401	2H094401	PARTS HOLDER FILTER A SP	17
	302H046441	2H046441	WIRE MAIN SW	21	⊙	302H094431	2H094431	PARTS PULLEY MID FEED ASSY SP	8
	302H046450	2H046450	WIRE MPF PI	7	⊙	302H094440	2H094440	PARTS MOTOR SCANNER SP	10
	302H046460	2H046460	WIRE FUSER PWB	14	⊙	302H094451	2H094451	PARTS ROLLER PRESS SP	14
	302H046470	2H046470	WIRE CONVEYING FAN	9	⊙	302H094460	2H094460	PARTS FAN MAIN DUCT SP	17
	302H046540	2H046540	WIRE LVU FAN	21	⊙	302H094470	2H094470	PARTS THERMISTOR SP	17
	302H046560	2H046560	WIRE INLET	21	⊙	302H094480	2H094480	PARTS FAN MAIN PWB SP	23
	302H046600	2H046600	WIRE CASSETTE SW	5	⊙	302H094540	2H094540	PARTS DISPOSAL TANK ASSY	12
	302H046680	2H046680	WIRE INTERLOCK JUNCTION	21	⊙	302H094560	2H094560	PARTS UPPER MPF FEED SP	7
⊙	302H046690	2H046690	WIRE CASSETTE SIZE	5	⊙	302H094611	2H094611	PARTS CLUTCH REGISTRATION 6K SP	9
	302H046730	2H046730	WIRE PANEL USB JUNCTION	23	⊙	302H705040	2H705040	KEY 10	23
	302H046810	2H046810	WIRE PANEL INVERTER(M)	23	⊙	302H705140	2H705140	KEY INTERRUPT	23
⊙	302H093012	2H093012	PARTS DK-670	12	⊙	302H705190	2H705190	KEY POWER SUPPLY	23
⊙	302H093051	2H093051	PARTS TR-670	9	⊙	302H705320	2H705320	KEY COPY	23
⊙	302H093082	2H093082	PARTS VERTICAL FEED UNIT	4		302H705360	2H705360	SPACER KEY	23
⊙	302H093091	2H093091	PARTS MIDDLE FEED UNIT	8		302H705580	2H705580	CUSHION OPE A	23
⊙	302H093121	2H093121	PARTS MPF FEED UNIT	7		302H705610	2H705610	CUSHION LCD	23
⊙	302H093150	2H093150	PARTS DR-670	15		302H709040	2H709040	HANDLE CASSETTE	3
⊙	302H093160	2H093160	PARTS FEED DRIVE UNIT	16		302H709060	2H709060	CASSETTE 2ND	3
⊙	302H093170	2H093170	PARTS CONT DRIVE ASSY	16		302H709070	2H709070	JOINT HANDLE CASSETTE	3
⊙	302H093182	2H093182	PARTS CONVEYING UNIT	9		302H709080	2H709080	ADJUSTING PLATE CASSETTE	3
⊙	302H093191	2H093191	PARTS EXIT UNIT	20		302H709090	2H709090	FRONT CURSOR CASSETTE	3
⊙	302H093200	2H093200	PARTS DUPLEX UNIT	18		302H709100	2H709100	REAR CURSOR CASSETTE	3
⊙	302H093210	2H093210	PARTS MIDDLE HOPPER UNIT	13		302H709110	2H709110	RAIL CURSOR R	3
⊙	302H093280	2H093280	PARTS LVU 100	21		302H709120	2H709120	LID PAPER SIZE	3
⊙	302H093290	2H093290	PARTS LVU 200	21		302H709130	2H709130	RAIL CURSOR A	3
⊙	302H093312	2H093312	PARTS MC-670	12		302H709140	2H709140	SUPPORT PLATE	3
⊙	302H094091	2H094091	PARTS ROLLER VERTICAL FEED A SP	4		302H709150	2H709150	DETECTION PLATE PAPER SIZE	3
⊙	302H094101	2H094101	PARTS ROLLER VERTICAL FEED B SP	4	⊙	302H717250	2H717250	DRUM PULLEY	10
⊙	302H094110	2H094110	PARTS ROLLER MPF FEED A SP	7		302H717500	2H717500	COVER PLATEN	24
⊙	302H094120	2H094120	PARTS ROLLER MPF FEED B SP	7		302H717510	2H717510	COVER POCKET	24
⊙	302H094130	2H094130	PARTS LAMP SCANNER W SP	10		302H717520	2H717520	STOPPER RELEASE SWITCH	24
⊙	302H094141	2H094141	PARTS ROLLER REGIST LEFT SP	9		302H717600	2H717600	HINGI ORIGINAL HOLDER	24
⊙	302H094160	2H094160	PARTS ROLLER HEAT SP	14		302H734020	2H734020	LABEL OFF CAUTION A	1
⊙	302H094180	2H094180	PARTS HEATER FUSER 120 SP	14	⊙	302H734050	2H734050	LABEL CASSETTE SIZE L	3
⊙	302H094190	2H094190	PARTS HEATER FUSER 230 SP	14	⊙	302H734060	2H734060	LABEL CASSETTE SIZE S	3
⊙	302H094210	2H094210	PARTS CLUTCH FEED SP	4,5,8,18	⊙	302H734190	2H734190	LABEL SW CAUTION SET E	1
⊙	302H094221	2H094221	PARTS CLUTCH REGISTRATION SP	16		302H739770	2H739770	GUIDE CF	21
⊙	302H094230	2H094230	PARTS SWITCH CONVEYING SP	4,18		302H746870	2H746870	WIRE OPERATION RIGHT	23
⊙	302H094240	2H094240	PARTS HEATER DRUM SP	22		302H746880	2H746880	WIRE OPERATION UPPER	23
⊙	302H094250	2H094250	PARTS, HIGH VOLTAGE, SP	22	⊙	302H794020	2H794020	PARTS PWB CF ASSY SP	21

• Parts with "⊙" indicate regular maintenance parts.

	Part.No.	Alternative.	Description	Fig.No.		Part.No.	Alternative.	Description	Fig.No.
⊙	302H794031	2H794031	PARTS PWB KUIO IF ASSY SP	22		302K539050	2K539050	MOUNT CF PWB	21
⊙	302H794160	2H794160	PARTS PWB PANEL RIGHT ASSY SP	23		302K539060	2K539060	GUIDE WIRE RIGHT	22
	302K502010	2K502010	SHEET WIRE A	2		302K539070	2K539070	LID GUIDE WIRE RIGHT	22
⊙	302K504010	2K504010	COVER FRONT	1		302K539080	2K539080	GUIDE WIRE FFC	21
⊙	302K504020	2K504020	COVER FRONT RIGHT	1		302K539090	2K539090	SEAL SHIELD WIRE	22
⊙	302K504030	2K504030	COVER CASSETTE	3		302K539100	2K539100	LID SHIELD	21
⊙	302K504040	2K504040	COVER REAR A	1		302K539110	2K539110	MOUNT FAN	22
⊙	302K504060	2K504060	COVER EMBLEM	1		302K539120	2K539120	GROUND SHIELD A	22
⊙	302K504070	2K504070	COVER CASSETTE HANDLE	3		302K539130	2K539130	SHIELD MOUNT FAN	22
⊙	302K504080	2K504080	COVER TRAY RIGHT	1		302K539140	2K539140	LID DUCT	17
⊙	302K504090	2K504090	COVER RIGHT LOW	1		302K546010	2K546010	WIRE RFID	17
⊙	302K504100	2K504100	COVER RIGHT MIDDLE	1		302K546020	2K546020	WIRE USB HOST	23
⊙	302K504110	2K504110	COVER OPE LOW	1		302K546030	2K546030	WIRE OPERATION LEFT	23
⊙	302K504120	2K504120	COVER ISU FRONT	11		302K546040	2K546040	WIRE CASSETTE	21
⊙	302K504130	2K504130	COVER ISU LEFT	11		302K546050	2K546050	WIRE HDD DATA	22
⊙	302K504140	2K504140	COVER ISU RIGHT	11		302K546060	2K546060	WIRE POWER-MAIN	21
⊙	302K504150	2K504150	COVER ISU REAR	11		302K546070	2K546070	WIRE SCANNER PI	10
	302K504160	2K504160	MOUNT REAR DUCT	1		302K546080	2K546080	WIRE LVU	21
	302K504170	2K504170	COVER LSU LOW	1		302K546090	2K546090	WIRE LSU	11
	302K504180	2K504180	COVER BYPASSTRAY	6		302K546100	2K546100	FFC CCD	10
⊙	302K504200	2K504200	LID COVER REAR	1		302K546110	2K546110	WIRE FRONT	22
⊙	302K504210	2K504210	TAPE EMBLEM	1		302K546120	2K546120	WIRE MAIN-PANEL IF	23
	302K505010	2K505010	COVER OPERATION	23		302K546130	2K546130	WIRE HDD POWER	22
	302K505020	2K505020	MOUNT INVERTER	23		302K546140	2K546140	WIRE MAIN MOTOR	21
⊙	302K505040	2K505040	COVER BASE OPERATION	23		302K546150	2K546150	WIRE CONVEYING	21
	302K505050	2K505050	COVER OPE REAR	23		302K546160	2K546160	WIRE MPF	22
⊙	302K505220	2K505220	LABEL OPERATION SET A	23		302K546170	2K546170	WIRE DF I/F	21
	302K505240	2K505240	TAPE FFC	23		302K546180	2K546180	WIRE DP	10
⊙	302K508010	2K508010	TABLE BYPASS	6		302K546190	2K546190	WIRE PRIMARY	22
⊙	302K509010	2K509010	WORK PLATE HANDLE	3		302K546200	2K546200	WIRE PANEL	23
⊙	302K517010	2K517010	FRONT SIZE INDICATOR	11		302K546210	2K546210	WIRE MAIN-PANEL IF JUNCTION	21
	302K517020	2K517020	PLATE SHADING	11		302K546220	2K546220	WIRE OPERATION FRONT JUNCTION	22
	302K517030	2K517030	MIRROR A	10		302K546230	2K546230	WIRE FRONT JUNCTION	12
⊙	302K524010	2K524010	BUSH REGIST	9		302K546250	2K546250	WIRE MAIN-PANEL USB	2
	302K533010	2K533010	DUCT BASE	17		302K546260	2K546260	WIRE LAMP INVERTER	21
	302K533020	2K533020	DUCT LID M	17		302K546280	2K546280	WIRE KEY COUNTER	21
⊙	302K534010	2K534010	LABEL CONVEYING JAM	1		302K546310	2K546310	WIRE MAIN-KUIO	22
⊙	302K534020	2K534020	LABEL CAUTION	1		302K546320	2K546320	WIRE CF	22
	302K534030	2K534030	LABEL CAUTION GEAR	1		302K546330	2K546330	WIRE MAIN ENGINE	21
	302K534070	2K534070	LABEL SET PAPER CAUTION A	6		302K546340	2K546340	WIRE SCANNER MAIN	21
	302K534080	2K534080	LABEL SET PAPER CAUTION E	6		302K546350	2K546350	WIRE SCAN POWER	21
	302K534110	2K534110	LABEL SET PAPER CAUTION	6		302K546370	2K546370	WIRE KUIO POWER	22
⊙	302K534130	2K534130	LABEL VFEED CAUTION	19		302K546390	2K546390	WIRE FUSER FAN JUNCTION	21
	302K534140	2K534140	EMBLEM LOGO	1		302K546400	2K546400	WIRE RELAY REM	17
	302K534160	2K534160	LABEL SET PAPER CAUTION J	6		302K546410	2K546410	WIRE CF JUNCTION	21
⊙	302K534170	2K534170	LABEL CASSETTE OPERATION	3	⊙	302K546420	2K546420	WIRE PANEL LCD	23
	302K539010	2K539010	SHIELD MAIN WC	22	⊙	302K593010	2K593010	PARTS LK-680	11
	302K539020	2K539020	GUIDE RAIL PWB	22	⊙	302K593020	2K593020	PARTS ISU	10
	302K539030	2K539030	MOUNT MAIN PWB	21	⊙	302K593030	2K593030	PARTS CT-680	3
	302K539040	2K539040	MOUNT ENGINE PWB	21	⊙	302K593040	2K593040	PARTS HDD	22

• Parts with "⊙" indicate regular maintenance parts.

Part.No.	Alternative.	Description	Fig.No.	Part.No.	Alternative.	Description	Fig.No.
⊙ 302K593060	2K593060	PARTS FK-671(U)	14	⊙ 34821210	34821210	STATIC ELIMINATOR B,EJECT	20
⊙ 302K593070	2K593070	PARTS FK-671(E)	14	⊙ 34907141	34907141	GEAR 18,CASSETTE	6
⊙ 302K594010	2K594010	PARTS MAIN PWB ASSY SP	21	⊙ 34907150	34907150	PULLEY,CASSETTE	3
⊙ 302K594020	2K594020	PARTS MAIN PWB ASSY EU SP	21	⊙ 34922420	34922420	GEAR 15	5
⊙ 302K594030	2K594030	PARTS ENGINE PWB ASSY SP	21	⊙ 35927420	35927420	SWITCH,SIZE	4
⊙ 302K594040	2K594040	PARTS PWB SCANNER ASSY SP	21	⊙ 35968110	35968110	STOPPER WIRE ASS'Y SP	26
⊙ 302K594050	2K594050	PARTS PWB PANEL LEFT ASSY SP	23	⊙ 3A206100	3A206100	ARM,BYPASS PE	6
⊙ 302K594060	2K594060	PARTS PWB CODE DIMM ASSY SP	21	⊙ 3A206170	3A206170	HOLDER,RETARD	6
⊙ 302K594080	2K594080	PARTS PWB PANEL MAIN ASSY SP	23	⊙ 3A206210	3A206210	MOUNT,BYPASS PE SWITCH	6
⊙ 302K594090	2K594090	PARTS MPF UNIT SP	6	⊙ 3CF04060	3CF04060	PLATE NUMBER4	3
⊙ 302K594110	2K594110	PARTS OPERATION UNIT EXP SP	23	⊙ 3CY06030	3CY06030	RETAINER M4	3
⊙ 302K594120	2K594120	PARTS CONTACT GLASS DP SP	11	⊙ 3CY06090	3CY06090	RACK CURSOR	3
⊙ 302K594130	2K594130	PARTS COVER EMBLEM SP	1	⊙ 3CY06100	3CY06100	GEAR 20,CURSOR	3
⊙ 302K594140	2K594140	PARTS LCD OPERATION SP	23	⊙ 3CY07080	3CY07080	BUSHING 6	6,8,20,25
⊙ 302K594150	2K594150	PARTS MOTOR MAIN SP	15,16	⊙ 3CZ02240	3CZ02240	PIN,DRAWER SIDE CONVEYING	2
⊙ 302KK17080	2KK17080	LEFT SIZE INDICATOR	11	⊙ 3HK27050	3HK27050	CORE 8-16X10	21
⊙ 302KK17100	2KK17100	REAR SIZE INDICATOR(M)	11	⊙ 3HY07120	3HY07120	PULLEY 15 DUPLEX	4,9,18
⊙ 302KK17330	2KK17330	MIRROR B	10	⊙ 5AAVCLTCH018	2A806910	ONE WAY CLUTCH /A-49 MPF A4	20,25
⊙ 302KK17380	2KK17380	LABEL SIZE(M)	11	⊙ 5FNXGP1A73A++02	2DC27180	PT.SENSOR GP1A73AJ00/ BK	5,10
⊙ 302KK17390	2KK17390	LABEL SIZE(I)	11	⊙ 5MMS111SL002	2BY20050	NUT FUSER A /FS-1800/3800 A4	17
⊙ 302KK17400	2KK17400	REAR SIZE INDICATOR(I)	11	⊙ 5MMT263SN012++R	2D903100	SCREW OP / M3 X 8 CRFREE A4	21
⊙ 302KK39690	2KK39690	SPONGE FFC	21	⊙ 5MMW141LX002	2BZ02300	SPRING WIRE /49585J0058 A4	12
⊙ 302KP34260	2KP34260	LABEL GLASS CAUTION	10	⊙ 5MVL177DN002	2FB06820	RING STOPPER 6	7
⊙ 302KP94200	2KP94200	PARTS PWB RFID ASSY SP	17	⊙ 5MVT263NN001	33910230	PIN CHARGER /A-49 CHARGER A4	12
⊙ 302KS02060	2KS02060	HANDLE A	2	⊙ 5MVX111DN003	2A806250	RING STOPPER /A-49 FEED A4	4,5,8,10,16,18 ,19,20,25
⊙ 302KS02070	2KS02070	HANDLE B	2	⊙ 5MVX222XN002	2A820530	SEPARATOR /40301P0028 A4	14
⊙ 302KS04180	2KS04180	COVER OZONE	1	⊙ 5MVX321CE001	3CF04050	PLATE NUMBER 3 /3CF0405 A4	3
⊙ 302KS08060	2KS08060	BASE BYPASS	6	⊙ 5MVX421DN003	2BL06490	LOCK COVER R /40283V0068 A4	4
⊙ 302KS08070	2KS08070	FRONT CURSOR BYPASS	6	⊙ 5MVX431NN001	3D302100	SPACING CLIP /VSC-10 XX	6,22
⊙ 302KS08080	2KS08080	REAR CURSOR BYPASS	6	⊙ 60907170	60907170	CUSHION,CASSETTE R	3
⊙ 302KS08090	2KS08090	COVER CURSOR	6	⊙ 61706770	61706770	UPPER PULLEY,BYPASS	6
⊙ 302KS08100	2KS08100	PLATE LIFT BYPASS	6	⊙ 66006810	66006810	GEAR,16 BYPASS PULLEY	6
⊙ 302KS08180	2KS08180	SHAFT RETARD	6	⊙ 66007310	66007310	PIN,CASSETTE WORK PLATE	6
⊙ 302KS08190	2KS08190	TORQUE LIMITER 620	6	⊙ 66106080	66106080	SPRING,PAD	3
⊙ 302KS34040	2KS34040	LABEL BYPASS SIZE	6	⊙ 66107100	66107100	PAD,CASSETTE	3
⊙ 302KS94090	2KS94090	PARTS PWB RELAY SP	17	⊙ 66127010	66127010	SWITCH,COVER OPEN	5
⊙ 302KS94360	2KS94360	PARTS MEMORY MODULE SP	21	⊙ 68822330	68822330	BEARING,DRIVE	25
⊙ 303A206131	3A206131	JOINT,BYPASS PICKUP	6	⊙ 72321350	72321350	GEAR 30, FD EJECT IDLE	6
⊙ 303BH26021	3BH26021	PLATE,OPTION	21	⊙ 75018250	75018250	SPRING CLEANING SOLENOID	23
⊙ 303J131270	3J131270	BELT S2M 230	7	⊙ 7AAACCAS+10H002	AA114390	AC CORD ASSY AS	21
⊙ 303JC04200	3JC04200	PLATE ORIGINAL	24	⊙ 7SC010101+++H01	SC023350	SW,SEESAW	21
⊙ 303K502080	3K502080	SPONGE ORIGINAL MAT	24	⊙ 7SM010202+++H01	SM044270	SW,MICRO	19
⊙ 303MX02021	3MX02021	CUSHION ORIGINAL MAT A	24	⊙ 7SP01000001+H01	SP044290	SW,PUSH	16
⊙ 303MX02031	3MX02031	CUSHION ORIGINAL MAT B	24	⊙ 7YBER0R0U001H01	YB044700	FERRITE CORE	25
⊙ 3066060011	66060011	COVER,KEY COUNTER	26	⊙ 7YBF0509001H01	YB055270	FERRITE CORE	23
⊙ 3066060041	66060041	MOUNT,KEY COUNTER	26	⊙ 7YBFZZ65C001H01	YB110990	FERRITE CORE	10,21,23
⊙ 33906160	33906160	GEAR 16,PAPER FEED	5,6	⊙ 7YCC02B1001+H01	YC014610	CONNECTOR	18
⊙ 33907210	33907210	CUSHION,CASSETTE WORK PLATE	3	⊙ 7YCC08B2046+H01	YC026110	CONNECTOR	3,5
⊙ 34806040	34806040	LOWER BUSHING,PAPER FEED	5	⊙ 7YCC08B2046+H02	YC026130	CONNECTOR	5
⊙ 34806490	34806490	FRICITION PLATE,BYPASS LEADING FEED	6				

• Parts with "⊙" indicate regular maintenance parts.



	Part.No.	Alternative.	Description	Fig.No.
	7YCC09B1106+H01	YC051480	CONNECTOR	22
	7YG57S011GP+H01	YG042080	SPEAKER	22
	7YZM110003++H01	YZ034780	ACCESS,BUSHING	2
	7YZM210002++H01	YZ004730	ACCESS.EDGING	21,22
	7YZM210003++H01	YZ037970	ACCESS.EDGING	22
	7YZM210004++H01	YZ037980	ACCESS.EDGING	21
	7YZM210005++H01	YZ037990	ACCESS.EDGING	22
	7YZM210006++H01	YZ038000	ACCESS.EDGING	1,22,23,26
	7YZM390002++H01	YZ012140	ACCESS.CLAMP	2,21,22
	7YZM390003++H01	YZ042070	ACCESS.CLAMP	21
	7YZM410001++H01	YZ037950	ACCESS.BAND	21
	7YZM420003++H01	YZ052580	ACCESS.BAND	9,14,18,21
	7YZM510007++H01	YZ042780	ACCESS.SPACER	21
	7YZM510011++H01	YZ049270	ACCESS.SPACER	23
	7YZM510015++H01	YZ115900	ACCESS.SPACER	17,21
	7YZM610001++H01	YZ010230	ACCESS SADDLE	2,15,17,21,22
	7YZM610002++H01	YZ010240	ACCESS SADDLE	5
	7YZM610003++H01	YZ010250	ACCESS SADDLE	2,6,15,16,21,22
	7YZM610005++H01	YZ012220	ACCESS SADDLE	15
	7YZM610007++H01	YZ023340	ACCESS.SADDLE	8,9,16,22,23
	7YZM610008++H01	YZ037940	ACCESS.SADDLE	8,10,22,23
	7YZM610009++H01	YZ042980	ACCESS.SADDLE	9,15
	7YZM610010++H01	YZ042990	ACCESS.SADDLE	22
	7YZM610011++H01	YZ043000	ACCESS.SADDLE	21
	7YZM610013++H01	YZ043020	ACCESS.SADDLE	21,22
⊙	G3169000	G3169000	BEARING 6900ZZNR	15
	M2104350	M2104350	EDGING,EDS-0607M(KITAGAWA)	6
	M2104390	M2104390	EDGING,EDS-0607L(KITAGAWA)	10,20
	M2105210	M2105210	MINI CLAMP,UAMS-02WL-0(KITAGAWA)	6
	M2105740	M2105740	MINIATURE CLAMP,UAMS-05S-2	6
	M2105890	M2105890	CLAMP,CKN-05(KITAGAWA)	2
	M2108130	M2108130	SPACER,KGPS-4S	21
	M2108730	M2108730	SPACER,KGTS-5T(KITAGAWA)	21
	M2109150	M2109150	WIRE SADDLE,HL-28	15
	M21AH010	M21AH010	BAND,RSG-130-V0(KITAGAWA)	5,8,9,21,22,23 ,26

• Parts with "⊙" indicate regular maintenance parts.

## KYOCERA MITA EUROPE B.V.

Hoeksteen 40, 2132 MS Hoofddorp,  
The Netherlands  
Phone: +31.20.654.0000  
Home page: <http://www.kyoceramita-europe.com>  
Email: [info@kyoceramita-europe.com](mailto:info@kyoceramita-europe.com)

KYOCERA MITA NEDERLAND B.V.  
Beechavenue 25, 1119RA Schiphol-Rijk  
The Netherlands  
Phone: +31.20.58.77.200

KYOCERA MITA (UK) LTD  
8 Beacontree Plaza  
Gillette Way Reading Berks RG2 0BS,  
U.K.  
Phone: +44.1189.311.500

KYOCERA MITA ITALIA S.p.A.  
Via G. Verdi, 89 / 91, 20063 Cernusco s/N  
Milano, Italy  
Phone: +39.02.92179.1

S.A. KYOCERA MITA BELGIUM N.V.  
Hermestraat 8A, 1930 Zaventem,  
Belgium  
Phone: +32.2.720.9270

KYOCERA MITA FRANCE S.A.  
Parc Les Algorithmes Saint Aubin  
91194 GIF-SUR-YVETTE,  
France  
Phone: +33.1.6985.2600

KYOCERA MITA ESPAÑA S.A.  
Edificio Kyocera, Avda de Manacor No. 2,  
28290 Las Matas (Madrid),  
Spain  
Phone: +34.91.631.8392

KYOCERA MITA FINLAND OY  
Kirvesmiehenkatu 4, 00880 Helsinki,  
Finland  
Phone: +358.9.4780.5200

KYOCERA MITA (SCHWEIZ)  
Hohlstrasse 614, 8048 Zürich  
Switzerland  
Phone: +41.1.908.4949

KYOCERA MITA DEUTSCHLAND GMBH  
Otto-Hahn-Str. 12 D-40670 Meerbusch,  
Germany  
Phone: +49.2159.918.0

KYOCERA MITA GMBH AUSTRIA  
Eduard-Kittenberger-Gasse 95,  
1230 Wien,  
Austria  
Phone: +43.1.86338.210

KYOCERA MITA SVENSKA AB  
Esbogatan 16B 164 75 Kista,  
Sweden  
Phone: +46.8.546.55000

KYOCERA MITA NORGE  
Postboks 150 Oppsal, NO 0619 Oslo  
Olaf Helsetsvei 6, NO 0694 Oslo,  
Norway  
Phone: +47.22.62.73.00

KYOCERA MITA DANMARK A/S  
Ejby Industrivej 1, DK-2600 Glostrup,  
Denmark  
Phone: +45.5687.1100

KYOCERA MITA PORTUGAL LDA.  
Rua do Centro Cultural, 41 (Alvalade) 1700-106 Lisbon,  
Portugal  
Phone: +351.21.842.9100

KYOCERA MITA SOUTH AFRICA (PTY) LTD.  
527 Kyalami Boulevard,  
Kyalami Business Park Midrand,  
South Africa  
Phone: +27.(0)11.540.2600

## KYOCERA MITA AMERICA, INC.

Headquarters:  
225 Sand Road,  
Fairfield, New Jersey 07004-0008,  
U.S.A.  
Phone: (973) 808-8444

KYOCERA MITA AUSTRALIA PTY. LTD.  
Level 3, 6-10 Talavera Road, North Ryde,  
N.S.W. 2113 Australia  
Phone: (02) 9888-9999

KYOCERA MITA NEW ZEALAND LTD.  
1-3 Parkhead Place, Albany  
P.O. Box 302 125 NHPC, Auckland,  
New Zealand  
Phone: (09) 415-4517

KYOCERA MITA (THAILAND) CORP., LTD.  
9/209 Ratchada-Prachachem Road,  
Bang Sue, Bangkok 10800, Thailand  
Phone: (02) 586-0320

KYOCERA MITA SINGAPORE PTE LTD.  
121 Genting Lane, 3rd Level,  
Singapore 349572  
Phone: 67418733

KYOCERA MITA HONG KONG LIMITED  
11/F., Mita Centre,  
552-566, Castle Peak Road,  
Tsuen Wan, New Territories,  
Hong Kong  
Phone: 24297422

KYOCERA MITA TAIWAN Corporation.  
7F-1~2, No.41, Lane 221, Gangchi Rd.  
Neihu District, Taipei, Taiwan, 114. R.O.C.  
Phone: (02) 87511560

## KYOCERA MITA Corporation

2-28, 1-chome, Tamatsukuri, Chuo-ku  
Osaka 540-8585, Japan  
Phone: (06) 6764-3555  
<http://www.kyoceramita.com>

## KYOCERA MITA AMERICA, INC.

### **Headquarters:**

225 Sand Road,  
Fairfield, New Jersey 07004-0008  
TEL : (973) 808-8444  
FAX : (973) 882-6000

### **New York Branch:**

1410 Broadway 23rd floor  
New York, NY 10018  
TEL : (917) 286-5400  
FAX : (917) 286-5402

### **Northeastern Region:**

225 Sand Road,  
Fairfield, New Jersey 07004-0008  
TEL : (973) 808-8444  
FAX : (973) 882-4401

### **Midwestern Region:**

201 Hansen Court Suite 119  
Wood Dale, Illinois 60191  
TEL : (630) 238-9982  
FAX : (630) 238-9487

### **Western Region:**

14101 Alton Parkway,  
Irvine, California 92618-7006  
TEL : (949) 457-9000  
FAX : (949) 457-9119

### **Southeastern Region:**

1500 Oakbrook Drive,  
Norcross, Georgia 30093  
TEL : (770) 729-9786  
FAX : (770) 729-9873

### **Southwestern Region:**

2825 West Story Road,  
Irving, Texas 75038-5299  
TEL : (972) 550-8987  
FAX : (972) 252-9786

### **National Operation Center & National Training Center:**

2825 West Story Road,  
Irving, Texas 75038-5299  
TEL : (972) 659-0055  
FAX : (972) 570-5816

### **Latin America Division:**

8240 N.W. 52nd. Terrace Dawson Building,  
Suite 108 Miami, Florida 33166  
TEL : (305) 421-6640  
FAX : (305) 421-6666

## KYOCERA MITA CANADA, LTD.

6120 Kestrel Road, Mississauga,  
Ontario L5T 1S8, Canada  
TEL : (905) 670-4425  
FAX : (905) 670-8116

## KYOCERA MITA MEXICO, S.A. DE C.V.

Av. 16 de Septiembre #407  
Col. Santa Inés,  
Azcapotzalco México,  
D.F. 02130, México  
TEL : (55) 5383-2741  
FAX : (55) 5383-7804

©2009 KYOCERA MITA Corporation

<http://www.kyoceramita.com>

 **KYOCERA** is a trademark of Kyocera Corporation

Printed in U.S.A.