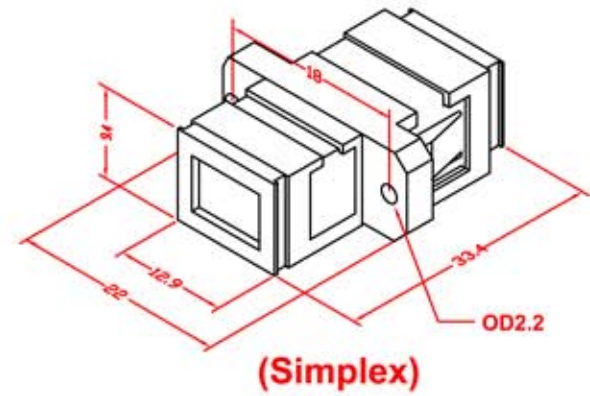
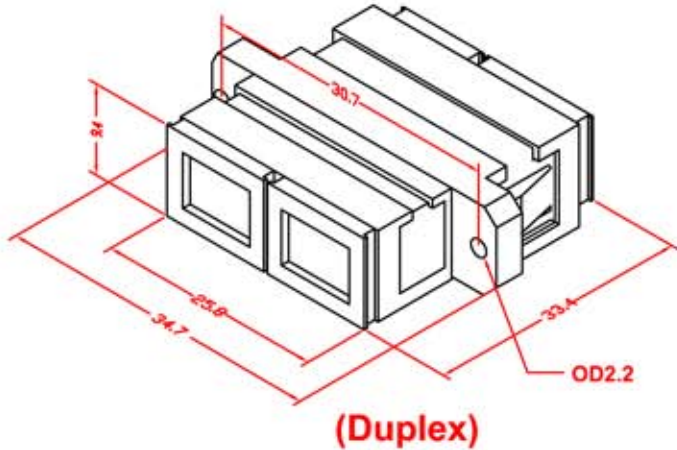


RevNo	Revision note	Rev-By	RevDate	Signature	Checked

## OPTIC FIBER ADAPTERS SC-SC TYPE



**MATERIAL:**

- ADAPTER BODY: ENGINEERING PLASTIC.
- SPRING LEVER: ENGINEERING PLASTIC.
- SLEEVE: PHOSPHOR BRONZE; ZIRCONIA (CERAMIC)
- MOUNT PLATE: STAINLESS STEEL.
- DUST CAP: ENGINEERING PLASTIC.

**SPECIFICATIONS (SM SLEEVE)**

INSERTION LOSS (dB)	
TYP/MAX.	0.15/0.3
ALL (dB) 500 MATINGS	0.1
TEMP RANGE (°C)	-40 TO +85
ALIGNMENT SLEEVE	
RETENTION FORCE (gf)	300~600

**SPECIFICATIONS (MM SLEEVE)**

INSERTION LOSS (dB)	
TYP/MAX.	0.2/0.4
ALL (dB) 500 MATINGS	0.1
TEMP RANGE (°C)	-40 TO +85
ALIGNMENT SLEEVE	
RETENTION FORCE (gf)	200~600

ITEM NO.	SC-SC TYPE			
CUSTOMER NO.				
DESIGNED BY	DATE	060927	UNIT	MM
ALEX	SCALE	xx	VER.	1
NO.	Checked by			
APPR:	Approved by -date			

