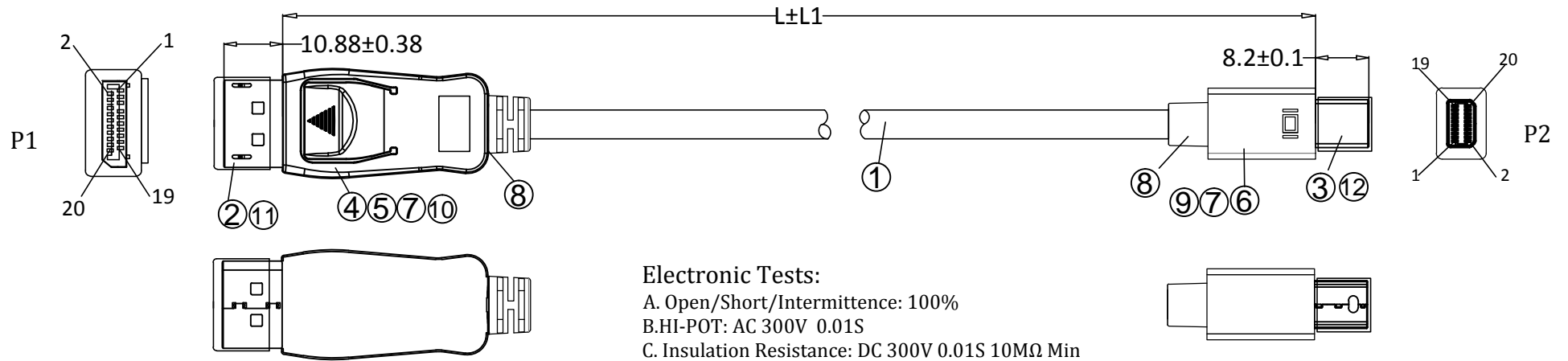


RoHS compliant

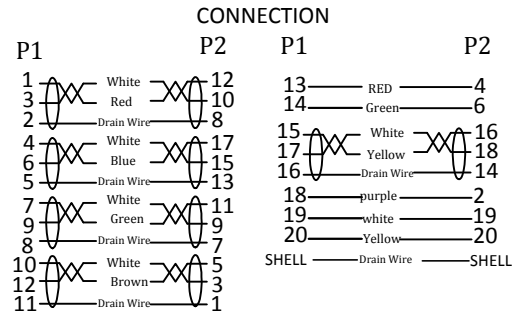
| REV | MODIFICATION | DATE       |
|-----|--------------|------------|
| A   | ISSUE        | 2018.09.19 |



**Electronic Tests:**

- A. Open/Short/Intermittence: 100%
- B.HI-POT: AC 300V 0.01S
- C. Insulation Resistance: DC 300V 0.01S 10MΩ Min
- D. Conductive Resistance: 2 OHM Max
- E.Computer testing:8K\*4K @60HZ.

|    |                   |   |      |      |
|----|-------------------|---|------|------|
| ⑫  | DUST CAP          | mini DISPLAYPORT MALE LDPE  | 1    | PCS  |
| ①  | DUST CAP          | DISPLAYPORT MALE LDPE   | 1    | PCS  |
| ⑩  | COPPER FOIL       | COPPER FOIL:L25*W5mm  | 1    | PCS  |
| ⑨  | COPPER FOIL       | COPPER FOIL:L30*W15mm   | 1    | PCS  |
| ⑧  | OUTER MOLDED      | 45P BLACK PVC   | 20   | G    |
| ⑦  | INNER MOLDED      | LDPE  | 5    | G    |
| ⑥  | ABS plastic shell | mini DISPLAYPORT 20P ABS plastic shell black  | 1    | PCS  |
| ⑤  | ABS plastic shell | DISPLAYPORT 20P ABS plastic shell black   | 1    | PCS  |
| ④  | Iron shell sheath | DISPLAYPORT 20P UPPER AND LOWER CASE NICKEL PLATING   | 1    | PCS  |
| ③  | CONNECTOR         | MINI DISPLAYPORT 20P Male soldering WHITE INSULATION,THE PIN GOLD PLATED AND SHELL GOLD PLATED  | 1    | PCS  |
| ②  | CONNECTOR         | DISPLAYPORT 20P Male soldering BLACK INSULATION,THE PIN GOLD PLATED AND SHELL GOLD PLATED   | 1    | PCS  |
| ①  | CABLE             | DP1.4V[1P*32# (7/0.08TC)+D(7/0.08TC)+AL/MYLAR]*5C+5C*32#(7/0.08TC)+AL+D(1/0.254BC)+B(80/0.12AL-MG)BLACK PVC JACKET OD:4.8±0.2MM<br>MARKING: DisplayPort Cable E***** 兄 AWM STYLE 20276 80℃ 30V VW-1 | A/R  | MM   |
| NO | NAME              | SPECIFICATIONS  | Q'TY | UNIT |



**P/N CHART**

| customer P/N     | L±L1    |
|------------------|---------|
| DP-MMG-050MBV1.4 | 500±30  |
| DP-MMG-100MBV1.4 | 1000±30 |
| DP-MMG-180MBV1.4 | 2000±50 |

|                        |      |                    |          |                       |                  |
|------------------------|------|--------------------|----------|-----------------------|------------------|
| 角法<br>PROJ:            |      | 容忍公差<br>TOLERANCE: | XX= XXX= | 产品名称<br>PRODUCT NAME: | DP-MMG-***MBV1.4 |
| 比例<br>SCALE:           | NONE | 版本<br>REV:         | A        | 产品料号<br>PART NO:      |                  |
| 单位<br>UNIT:            | MM   | 页次<br>SHEET:       | 1/1      | 客户<br>CUST:           |                  |
| 客户回签<br>SUST APPROVED: |      | 核准<br>APPROVED:    |          |                       |                  |
|                        |      | 审核<br>CHECKED:     |          |                       |                  |
|                        |      | 制图<br>DRAWING:     |          |                       |                  |