



## TL410 family 4K Resolution Day/Night lenses up to 1/1.7" sensors

- ✓ **Ultra high resolution for 4K cameras**, up to 12.4 megapixel
- ✓ Available in **DC auto-iris, P-iris, and manual iris** versions
- ✓ **Fully motorized versions**, or combinations with zoom, focus, iris, IR cut, limit switch; non-motorized versions also available
- ✓ IR corrected for true **Day/Night** cameras
- ✓ **Compact design** to fit into domes as small as 4" mini-dome size
- ✓ **CS-mount** and smooth **D25 board mount** options, as well as **C-mount**
- ✓ Used for sensor sizes 1/2.5", 1/2.3", 1/2", 1/1.8", and **up to 1/1.7"** (Sony IMX178, Sony IMX226 for example)

### SL/TL410 lens family specifications

Focal length	4-10mm
Image circle	Ø9.4mm
Resolution	12.4 megapixel
F/#	F/1.4 @ 4mm – F/2.4 @ 10mm to close
Focus Range	0.5m to infinity
IR Correction	Day/Night
Lens length	< 64mm TTL
Back focal length	BFL 8.4mm (in air)
CRA	< 7°
Distortion	< 61% at 4mm, < 8% at 10mm
Relative illumination	>45%
Lens transmission	>80%
Weight	69-78g (depending on version)
Operating temperature	-20C to 60C (<70% humidity, non-condensing)
Storage temperature	-30C to 70C (<90% humidity, non-condensing)

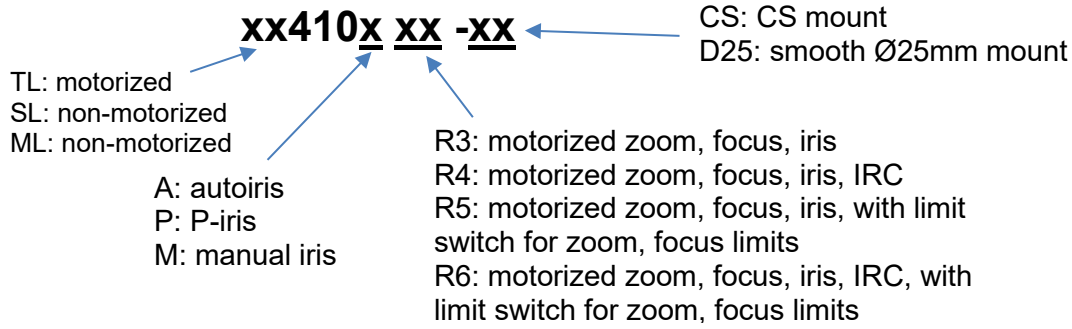
### Field of view for sensor sizes

Sensor size	1/1.7"	1/1.8"	1/1.8" 4K*	1/2"	1/2.3"	1/2.5"
Horizontal	112° - 44°	110° - 43°	110° - 43°	93° - 37°	90° - 36°	83° - 33°
Vertical	81° - 33°	71° - 29°	52° - 21°	68° - 28°	67° - 27°	60° - 25°
Diagonal	149° - 55°	139° - 52°	126° - 48°	120° - 46°	117° - 45°	106° - 42°

\*4K format = 4000 x 2000 pixels



## Lens designation

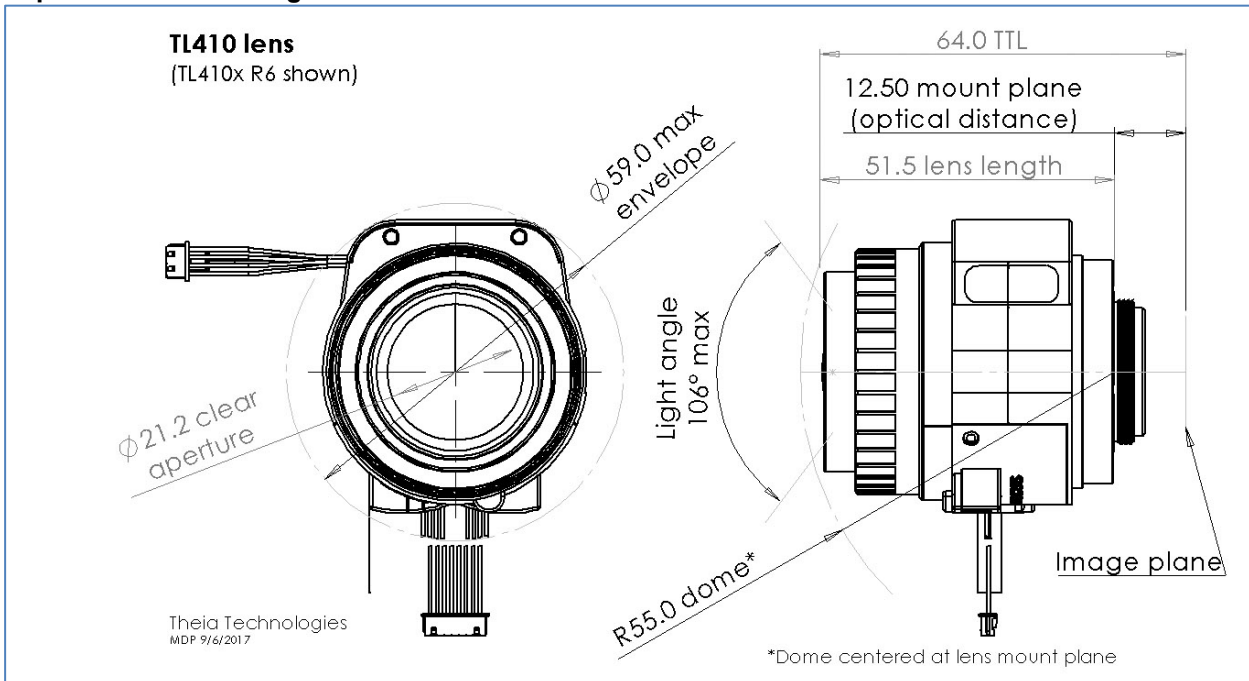


### Production versions: (call for other versions)

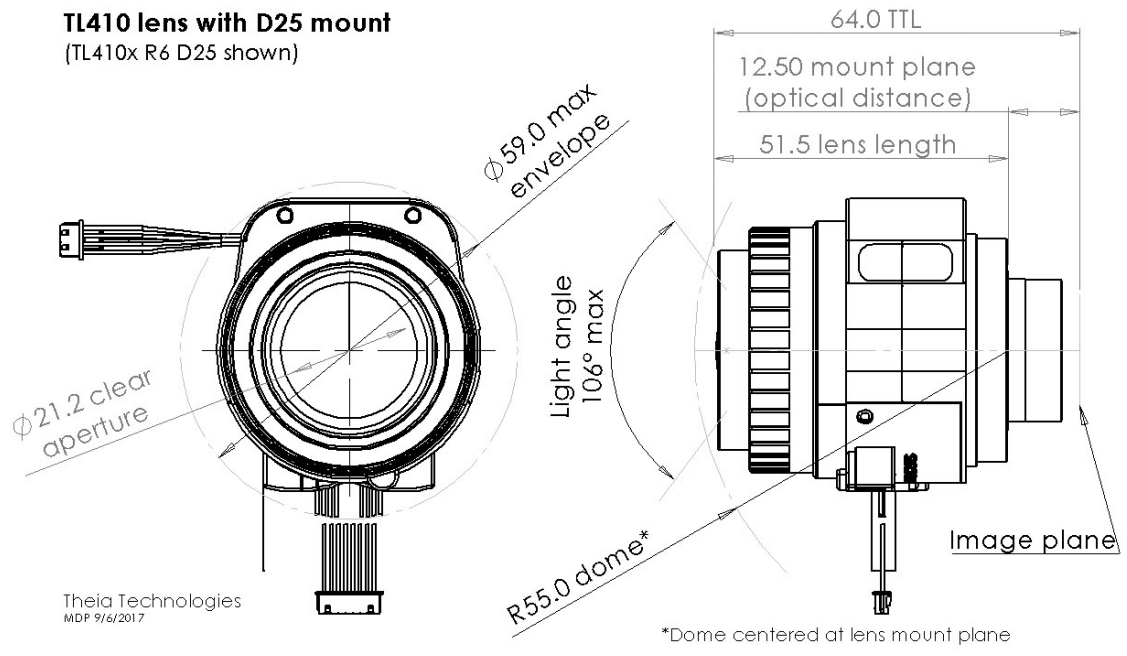
SL410M (manual lens, manual iris, CS mount)  
 SL410A (manual lens, DC autoiris, CS mount)  
 SL410P (manual lens, P-iris, CS mount)  
 ML410M (manual lens, manual iris, C mount)  
 TL410A R6-CS (fully motorized, DC autoiris lens)  
 TL410P R6-CS (fully motorized, P-iris lens)  
 TL410P R6-25 (fully motorized, P-iris, D25 mount)

Other versions are available by special request and may be added to regular production

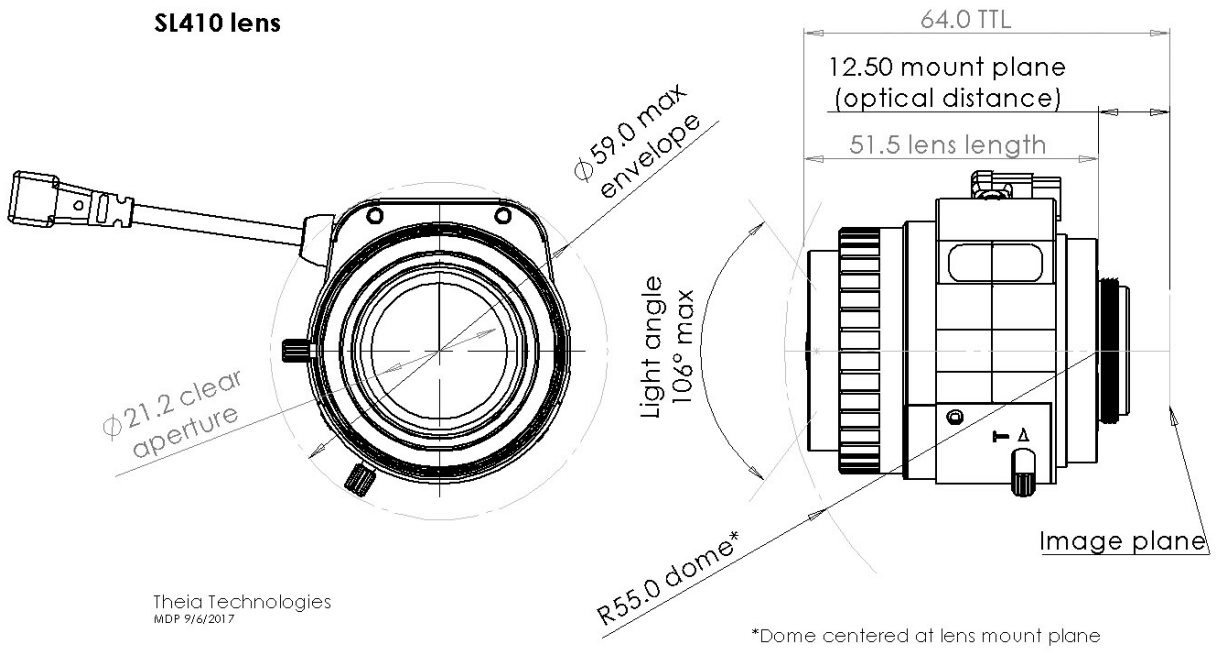
## Representative drawings



**TL410 lens with D25 mount**  
(TL410x R6 D25 shown)

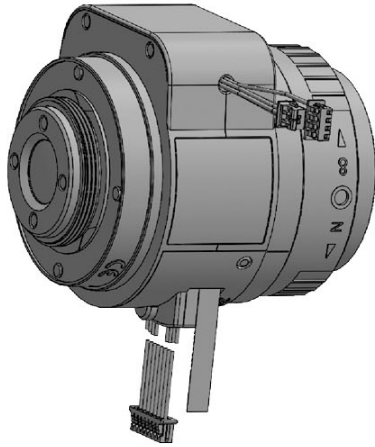


**SL410 lens**

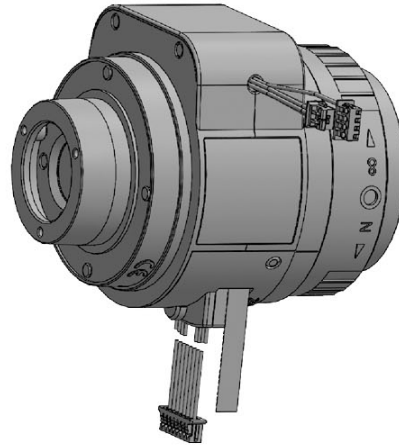


Pictures of some of the versions

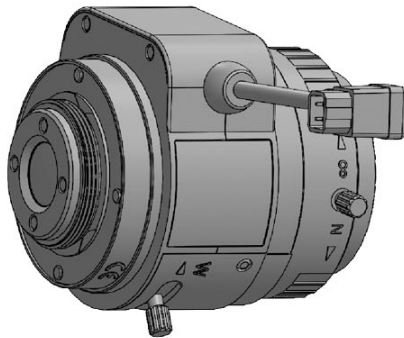
TL410x R6



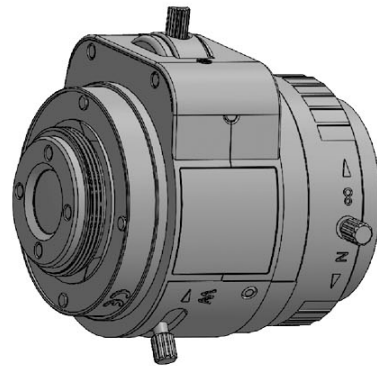
TL410x R6 D25



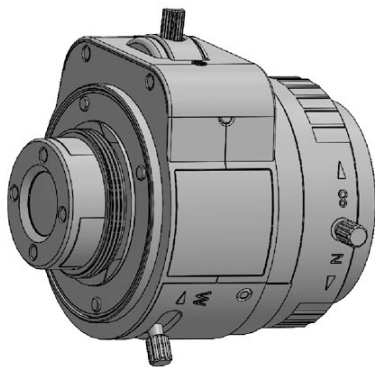
SL410x



SL410M



ML410M



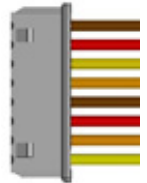
## Zoom/Focus motor specifications

Applicable models: **TL410Axx**, **TL410Pxx**

Drive	Stepper motor 2 phase bipolar drive			
Operation voltage	3.3V (operating range 2.6~4.8V)			
Maximum continuous operation time (seconds) for operation voltage and ambient temperature*		3.3V	4.0V	4.8V
	20C	60s	12s	6s
	40C	35s	9s	5s
	60C	20s	6s	4s
Coil resistance	28.5Ω (±7%)			
Gear ratio	1:2025			
Zoom number of steps	4073 steps between hard stops			
Zoom speed range	600pps to 1000pps*			
Zoom cam rotation	85°			
Focus number of steps	9354 steps between hard stops			
Focus speed range	600pps to 1000pps*			
Focus cam rotation	196°			
Focus/zoom connectors	Housing: Molex 51021-0800 Terminal: Molex 50058-8000			
Cable length	150mm			

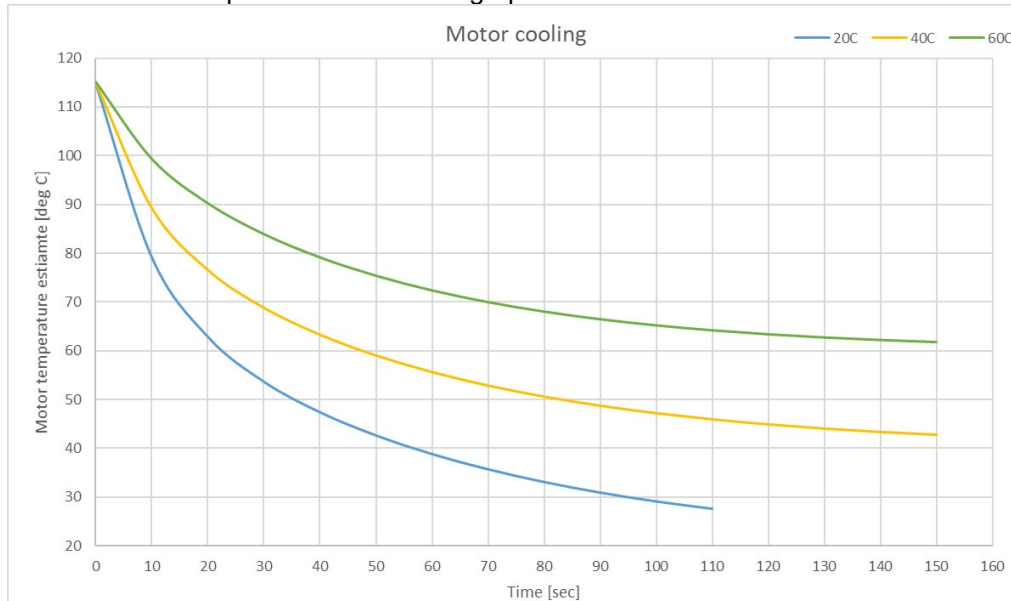
Zoom: Wide -> Tele				
Focus: Near -> ∞				
Step	A+	A-	B+	B-
0	H	L	H	L
1	L	H	H	L
2	L	H	L	H
3	H	L	L	H

Pin	Color	Function	Motor
1	Brown	A+	Focus
2	Red	A-	Focus
3	Yellow	B+	Focus
4	Gray/Orange	B-	Focus
5	Brown	A+	Zoom
6	Red	A-	Zoom
7	Gray/Orange	B+	Zoom
8	Yellow	B-	Zoom



\*Do not let motor temperature exceed 115°C

Measuring motor temperature is difficult due to the degree of motor integration. Temperature can be estimated based on the maximum operation times. The graph below shows the time for motors to cool to ambient temperature.

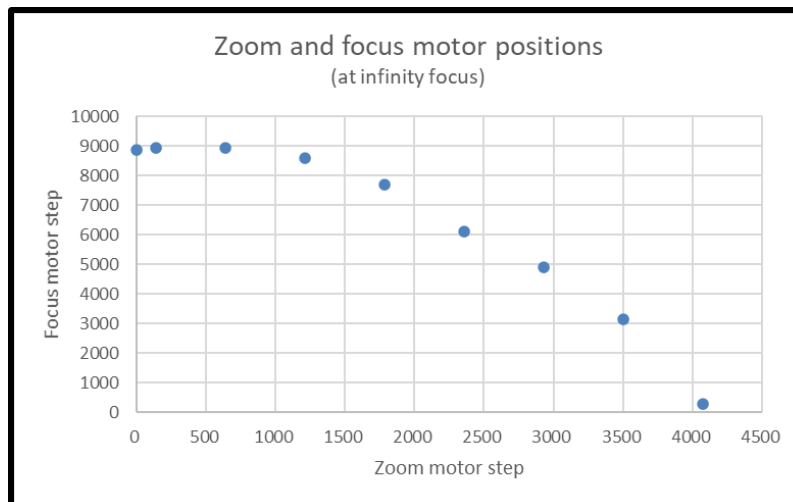


Zoom/Focus motor step map (at infinite focus position). PI positions only available with -R5 and -R6 lenses.

<b>Zoom motor</b>		<b>Focus motor</b>	
<i>Note</i>	<i>Step</i>	<i>Note</i>	<i>Step</i>
Hard stop (wide)	4073	Hard stop (far)	9353
Wide design position	4073	Far focus design	8771
PI position	154	PI position	8652
Tele design position	0	Near focus design	188
Hard stop (tele)	0	Hard stop (near)	0

Zoom/Focus synchronizing map (observe min/max motor speeds)

<b>Focal length</b>	<b>Zoom motor note</b>	<b>Zoom motor step number</b>	<b>Focus ring note</b>	<b>Focus motor step number</b>
<i>[mm]</i>		<i>[#]</i>		<i>[#]</i>
4.15	Wide end	4073		288
4.96		3501		3149
5.77		2929		4892
6.58		2356		6125
7.39		1784		7687
8.19		1212		8599
9.00		640		8960
9.70		139		8931
9.90	Tele end	0		8871



**Notes:**

1. Zoom and focus **motor positions may be affected** by backlash and lost steps during movement. Zoom motor lost steps are tested to <45 over the full 3934 step range. Focus motor lost steps are tested to <30 over the full 8464 step range.

2. These motorized lenses are intended for integration into cameras and require motor drivers and controllers. Typically, Theia works with the camera manufacturer to ensure that the camera motor controller matches the lens. It is possible to supply your own motor controller, but Theia cannot guarantee that your motor controller will not damage the lens. Theia does not offer any warranty on the suitability of these motorized lenses for any particular camera. These motorized lenses are **not intended for continuous use** of the motors as in PTZ applications. Theia offers motor control boards that are suitable to control motorized lenses with P-iris.

## DC auto-iris motor specifications

Applicable models: SL410A, TL410Axx

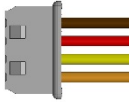
Drive	DC
Operation voltage	3V (2.5~5.0V)
Max current consumption	22mA
Drive coil resistance	190Ω
Damper coil resistance	855Ω

Connector type 1 (Molex)

Applicable models **TL410A R4, TL410A R6**

Connector type	Housing: Molex 51021-0400 Terminal: Molex 50058-8000
Cable length	150mm

Pin	Color	Function
1	Brown	Control -
2	Red	Control +
3	Yellow	Drive +
4	Orange	Drive -

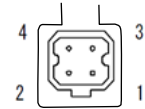


Connector type 2 (CCTV)

Applicable models **SL410A, TL410A R3, TL410A R5**

Connector type	Housing: EYC 221
Cable length	300mm

Pin	Function
1	Control -
2	Control +
3	Drive +
4	Drive -



## P-iris motor specifications

Applicable models: SL410P, TL410Pxx

Drive	Stepper motor 2 phase bipolar drive
Operating voltage	4V (+/-1)
Number of steps	75
Basic step angle	18°
Maximum response freq.	200 pps
Coil resistance	30Ω (each phase)

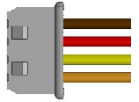
P-iris: open->close				
Step	A+	A-	B+	B-
0	H	L	H	L
1	L	H	H	L
2	L	H	L	H
3	H	L	L	H

Connector type 1 (Molex)

Applicable models **TL410P R4, TL410P R6**

Connector type	Housing: Molex 51021-0400 Terminal: Molex 50058-8000
Cable length	150mm

Pin	Color	Function
1	Brown	B+
2	Red	B-
3	Yellow	A+
4	Orange	A-

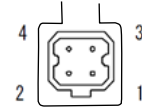


Connector type 2 (CCTV)

Applicable models **SL410P, TL410P R3, TL410P R5**

Connector type	Housing: EYC 221
Cable length	300mm

Pin	Function
1	B+
2	A+
3	A-
4	B-



## P-iris motor map

Step	Aperture Size [mm2]	F/#
1	65.0	1.43 (open)
5	65.0	1.43 (open)
10	65.0	1.43 (open)
15	65.0	1.43 (open)
19	65.0	1.43 (open)
20	63.4	1.50
25	54.0	1.63
30	44.9	1.78
35	36.0	1.98

Step	Aperture Size [mm2]	F/#
40	27.7	2.26
45	20.0	2.65
50	13.2	3.26
55	7.5	4.34
60	3.1	6.71
65	0.8	12.86
70	0.1	46.06
72	0.0	Closed
75	0.0	Closed

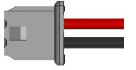


### IR Cut specifications

Applicable models: TL410A **R4**, TL410P **R4**, TL410A **R6**, TL410P **R6**

Electrical specifications	
Drive	DC
Operating voltage	4V
Drive coil resistance	130Ω
Connector type	Housing: Molex 51021-0200 Terminal: Molex 50058-8000
Cable length	150mm
Optical specifications for IR filter (Day)	
Cut-on wavelength	405nm ±10nm
Visible transmission	430-610nm
Cut-off wavelength	650nm ±10nm
IR transmission	<5% max 700-1000nm <10% ave 1000-1100nm
Optical specifications for clear filter (Night)	
Visible transmission	400-1050nm

Mode	Pin 1	Pin 2
Day (IR filter)	L	H
Night (clear filter)	H	L
Wire color	Red	Black



### Zoom/Focus limit switch

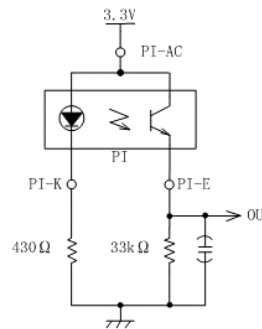
Applicable models: TL410A **R5**, TL410P **R5**, TL410A **R6**, TL410P **R6**

Type	Photo interrupter phototransistor
Part model	Sharp GP1S396HCPSF
Operating voltage	3.3V
Output level	>2.2V HIGH <0.6V LOW
Connector type	FPC cable
Board-side mating connector type (not supplied)	Molex 52746-0671 Molex 52745-0697 Molex 52559-0652
Cable length	150mm

Pin*	Function	Motor
1	Emitter	Focus
2	Anode/Collector	Focus
3	Cathode	Focus
4	Emitter	Zoom
5	Anode/Collector	Zoom
6	Cathode	Zoom



\*cable side pin designation matches Molex 52746-0671 bottom side contacts connector  
Recommended circuit for each photo interrupter



For more information contact  
Theia Technologies

info@TheiaTech.com  
[www.TheiaTech.com](http://www.TheiaTech.com)  
+1-503-570-3296

## Revisions

Version	Change	Reason
160104	Changed IR cut pin-out	Changed to match industry standard
	Updated focus/zoom map	Due to changed focus cam design
160108	Added focus photo interrupter trigger point	Missing from spec
160112	Swapped 2 focus motor pins	Motor phases did not match stepper sequence direction
160113	Added motor energizing time maximums	Clarification to prevent focus/zoom motor overheating
	Updated temperature spec	Consistent with motor supplier specification
	Updated weight	Missing from spec
	Updated IR filter transmission specs	
160128	Swapped focus motor pin 3-4 functions	Not updated correctly when motor direction was reversed
161107	Added applicable model numbers to iris section	Available iris connectors was confusing
170109	Changed PI FPC pin-outs	To match bottom side contacts connector; top side contacts connector may be discontinued
170905	Corrected focus ring rotation amount	Older version, pre-focus improvement number
	Updated drawings	Added additional version drawings, corrected 2x 4-pin connectors for zoom/focus.
180117	Corrected FPC pinout	Pinout numbering was reversed
181206	Updated motor speed specs	Focus/zoom recommended speed unspecified, P-iris speed too high
	Added QR code	Directed to TL410 webpage
190730	Typo correction	Lens designation ended midsentence
190924	Zoom/Focus motor map	Changed map and tables to be more clear
200304	Added page number and rev	Revision control
	Added Z/F motor step note	Motor position accuracy not previously specified
	Updated motor speed spec	Focus/zoom recommended speed too high, adjusted to tested range
200327	Added motor cool down graph	New information
	Highlighted model numbers	Clarify which specification sections apply to which lens family members
201013	Changed focus/zoom tracking curve tables and chart	Inconsistent sign/motor direction values between tables and charts