

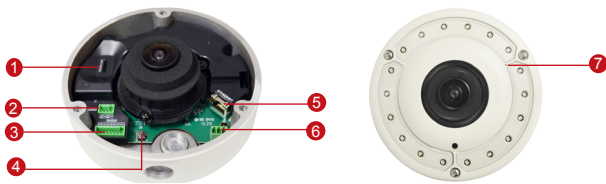
# B76A

12MP Video Analytics Outdoor Hemispheric Dome with D/N, Adaptive IR, Extreme WDR, SLLS, Fixed Lens



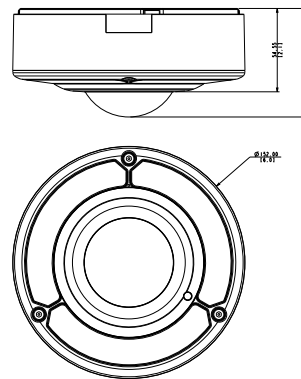
- 12 Megapixel with 4K/1080p
- Day & Night with Superior Low Light Sensitivity and Adaptive IR LED
- Fisheye Lens with f1.65mm / F2.8
- Extreme WDR (130 dB)
- 30 fps at 2048 x 2048
- 180/360° Panorama View with Dewarped Streaming
- Weatherproof (IP68) and Vandal Proof Metal Casing (IK10)
- Built-in Analytics

## PHOTO INDICATION



- 1 Memory Card Slot
- 2 Audio Input / Output
- 3 Digital Input / Output
- 4 Reset Button
- 5 DC 12V Power Input
- 6 Ethernet Port
- 7 Built-in Microphone

## DIMENSION DIAGRAM



## ACCESSORY OPTIONS

Unit: mm [inch]

Power Supply		
PPOE-0001		IEEE 802.3af PoE Injector for Class 1, 2 or 3 devices, with universal adapter
PPBX-0002		AC 100-240V to DC 12V power adapter with universal connector

Popular Mounting Solutions		
Surface	Accessories not required	
Wall	PMAX-0802	
Pendant	PMAX-0101 PMAX-0102	
Pole	PMAX-0503 PMAX-0314	
Corner	PMAX-0402 PMAX-0314	
Gang Box	PMAX-0804	

\* For more mounting solutions, please refer to Project Planner on [www.acti.com](http://www.acti.com)

**PRODUCT SPECIFICATION****B76A****• Device**

Device Type	Outdoor Hemispheric Dome
Image Sensor	Progressive Scan CMOS
Sensor Size	1/1.7"
Effective Pixels	4072 (H) x 3046 (V) (12.4 MP)
Horizontal Resolution	2250 TVL
Day / Night	Yes
Low Light Sensitivity	Superior
Minimum Illumination	Color: 0.1 lux at F2.8 (30 IRE, 2400°K); B/W: 0 lux (IR LED on)
Color to B/W Switch	ISP based switch, configurable
Mechanical IR Cut Filter	Yes
IR Sensitivity Range	700 - 1100 nm
IR LED	Adaptive IR LED x 18 (850 nm)
IR Working Distance	20 m (0 lux, 30 IRE, Gain 255, Auto shutter mode)
Electronic Shutter	1/5 ~ 1/2,000 sec (manual mode); 1/5 ~ 1/10,000 sec (auto mode)
S/N Ratio	56 dB

**• Lens**

Focal Length / Aperture	Fisheye lens, f1.65mm / F2.8
Iris	Fixed iris
Focus	Fixed focus
Mount Type	Board mount
Horizontal Viewing Angle	Overview area: 198.5°; High detail area: 121.1°
Vertical Viewing Angle	198.5°
Viewing Angle Adjustment	Rotate: -175°-175°

**• Video**

Compression	H.264 (Baseline / Main / High profile), MJPEG
View Mode	Fisheye view; Dewarped view: 180° / 360° Panorama, ePTZ
Max. Frame Rate vs. Resolution	Fisheye View: 18 fps at 4000 x 3000; 30 fps at 2048 x 2048; 30 fps at 1600 x 1200; 30 fps at 1024 x 1024; 30 fps at 1280 x 960; 30 fps at 800 x 600; 30 fps at 640 x 480 Dewarped View: 10 fps at 4096 x 2160; 10 fps at 3840 x 2160; 30 fps at 1920 x 1080; 30 fps at 1280 x 960; 30 fps at 1280 x 720; 30 fps at 800 x 600; 30 fps at 640 x 480 ePTZ View: 30 fps at 1600 x 1200; 30 fps at 1024 x 1024; 30 fps at 1920 x 1080; 30 fps at 1280 x 960; 30 fps at 1280 x 720; 30 fps at 800 x 600; 30 fps at 640 x 480; 30 fps at 320 x 240
Multi-Streaming	Simultaneous three streams based on three configurations
Bit Rate	128 Kbps - 12 Mbps (per stream)
Bit Rate Mode	Constant, Variable
Privacy Mask	8 configurable regions
Image Enhancement	Extreme WDR (130 dB); White balance: automatic, hold and manual; Brightness; Contrast; Sharpness (auto); Automatic gain control; 2D+3D digital noise reduction; Flickerless; Defogging
Text Overlay	User defined text on video
Image Orientation	Image flip and mirror
Built-in Analytics	Tamper; Shock Detection; Digital Auto Tracking; Object Based Motion Detection; **Line Crossing; **Enter Area; **Missing Object; **Unattended Object; **Smoke Detection (**Some of the algorithms may not be available in the first release, can be upgraded for free later.)

**• Audio**

Compression	8 kHz, Mono, PCM, 16 bit encoding; G.711
Audio-In	Built-in Microphone, Line-in; Terminal Block
Audio-Out	Line-out; Terminal Block

**• Network**

Protocol & Service	IPv4/v6, TCP, UDP, DHCP, PPPoE, HTTP, HTTPS, DNS, DDNS, NTP, RTP, RTSP, RTCP, SMTP, FTP, IGMP, ICMP, ARP, Bonjour, UPnP, QoS, SNMP, IEEE 802.1X
Ethernet Port	1, Ethernet (10/100 Base-T), RJ-45 connector (cable in)
Security	IP address filtering; HTTPS encryption; Password protected user levels; IEEE 802.1X network access control; Anonymous Login

**• Alarm**

Alarm Trigger	Video motion detection (10 regions); External device through digital input; Sound detection
Alarm Response	Notify control center; Go to ePTZ preset point or preset tour; Change camera settings; Command other devices; E-mail notification with snapshots; Save video or snapshot to local storage; Upload video or snapshot to FTP server; Activate external device through digital output

**• Interface**

Digital Input	2, Terminal block
Digital Output	2, Terminal block
Local Storage	MicroSDHC/MicroSDXC memory card slot (card not included)

**• General**

Power Source / Consumption	PoE Class 3 IEEE802.3af / 8.8 W DC 12V (adapter not included) / 7W
Weight	1313 g (2.89 lb)
Dimensions (Ø x H)	152 mm x 71.00 mm (6.0" x 2.8")
Environmental Casing	Weatherproof (IP68); Vandal proof metal casing (IK10)
Mount Type	Surface, Wall, Pendant, Pole, Corner, Gang box
Starting Temperature	-40°C ~ 50°C (-40°F ~ 122°F)
Operating Temperature	-40°C ~ 50°C (-40°F ~ 122°F)
Operating Humidity	10% ~ 85% RH
Approvals	CE (EN 55022 Class B, EN 55024), FCC (Part15 Subpart B Class B), IP68, IK10 (metal casing), NEMA 4X, UL (for bundled power adapter)

**• Integration**

Unified Solution	Fully compatible with ACTi software
ISV Integration	Software Development Kit (SDK) available ; ONVIF compliant
GPS Position	Manual setting
Firmware Access Browser	Microsoft Internet Explorer 8.0 or newer (full functionality) Safari with QuickTime installed, and other browsers with VLC installed (partial functionality)

\* All specifications are subject to change without notice.

\* All brand names and registered trademarks are the property of their respective owners.

www.acti.com

